



US00D920919S

(12) **United States Design Patent**  
**Yu**

(10) **Patent No.:** **US D920,919 S**  
(45) **Date of Patent:** **\*\* Jun. 1, 2021**

- (54) **ELECTRICAL SOCKET**
- (71) Applicant: **Ningbo Well Electric Appliance Co., Ltd., Ningbo (CN)**
- (72) Inventor: **Guolin Yu, Ningbo (CN)**
- (73) Assignee: **NINGBO WELL ELECTRIC APPLIANCE CO., LTD., Ningbo (CN)**
- (\*\*) Term: **15 Years**
- (21) Appl. No.: **29/689,189**
- (22) Filed: **Apr. 28, 2019**
- (51) **LOC (13) Cl.** ..... **13-03**
- (52) **U.S. Cl.**  
USPC ..... **D13/139.7**
- (58) **Field of Classification Search**  
USPC ..... D13/137.1–137.4, 138.1, 138.2, 139.1, D13/139.2, 139.4, 139.6–139.8, 146, 147, D13/158, 160, 161; D14/432, 433  
CPC .. H01R 13/639; H01R 13/6392; H01R 13/64; H01R 13/642; H01R 13/648; H01R 13/652; H01R 13/6666; H01R 13/6683; H01R 13/68; H01R 13/713; H01R 24/20; H01R 24/22; H01R 24/28; H01R 24/30; H01R 2103/00; H01H 2207/22; H01H 71/58; H01H 83/04  
See application file for complete search history.

(56) **References Cited**

**U.S. PATENT DOCUMENTS**

- D405,759 S \* 2/1999 Carmo ..... D13/139.1
- 5,893,772 A \* 4/1999 Carmo ..... H01R 13/639  
439/346
- D409,567 S \* 5/1999 Carmo ..... D13/139.1
- 6,710,254 B2 \* 3/2004 Yueh ..... H01B 7/36  
174/135
- D534,126 S \* 12/2006 Chan ..... D13/139.1

- 7,172,451 B1 \* 2/2007 Ratzlaff ..... H01R 13/639  
439/106
- D591,680 S \* 5/2009 Ho'o ..... D13/137.4
- 8,109,778 B2 \* 2/2012 Howard ..... H01R 13/639  
439/346

(Continued)

**OTHER PUBLICATIONS**

100 ft Heavy Duty Outdoor Extension Cord by Clear Power. Amazon. Oldest review date: Jul. 4, 2020. Retrieval date: Feb. 22, 2021. Retrieved from internet: <https://www.amazon.com/Clear-Power-Extension-Connector-CP10168/dp/B084WGQHT2> (Year: 2020).\*

(Continued)

*Primary Examiner* — Lilyana Bekic  
*Assistant Examiner* — Lee D. Starr

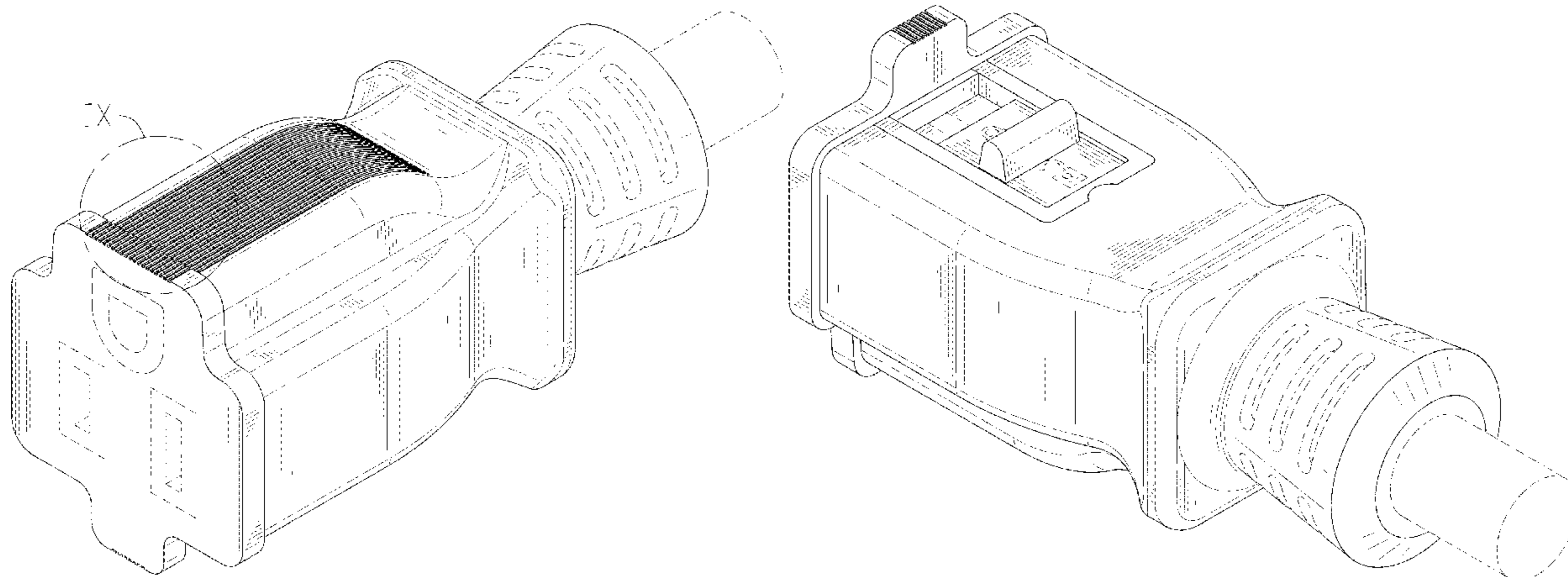
(57) **CLAIM**

The ornamental design for an electrical socket, as shown and described.

**DESCRIPTION**

FIG. 1 is a right, front, top perspective view of an electrical socket showing my new design;  
FIG. 2 is a left, rear, bottom perspective view thereof;  
FIG. 3 is a front elevational view thereof;  
FIG. 4 is a rear elevational view thereof;  
FIG. 5 is a left side elevational view thereof;  
FIG. 6 is a right side elevational view thereof;  
FIG. 7 is a top plan view thereof; and  
FIG. 8 is a bottom plan view thereof; and,  
FIG. 9 is an enlarged view of circled portion IX in FIG. 1. In the drawings, the dash-dash broken lines illustrate portions of the electrical socket that form no part of the claimed design. The broken line circle composed of alternating short and long dashes in FIG. 1 defines the bounds of the enlargement shown in FIG. 9 and forms no part of the claimed design.

**1 Claim, 9 Drawing Sheets**



(56)

**References Cited**

U.S. PATENT DOCUMENTS

D730,841 S \* 6/2015 Lee ..... D13/154  
D800,069 S \* 10/2017 Maskaly ..... D13/146  
10,714,862 B1 \* 7/2020 Yu ..... H01R 13/6392  
10,714,870 B1 \* 7/2020 Yu ..... H01R 13/639  
D896,760 S \* 9/2020 Yu ..... D13/137.3  
2016/0322747 A1 \* 11/2016 Jian ..... H01R 13/639

OTHER PUBLICATIONS

15A Marine Grade Locking Extension Cord by Marinco. Amazon.  
Date first available: Mar. 7, 2017. Retrieval date: Feb. 22, 2021.  
Retrieved from internet: <https://www.amazon.com/Marinco-Foot-150025-Extension-Locking/dp/B06XG7NQHB> (Year: 2017).\*

\* cited by examiner

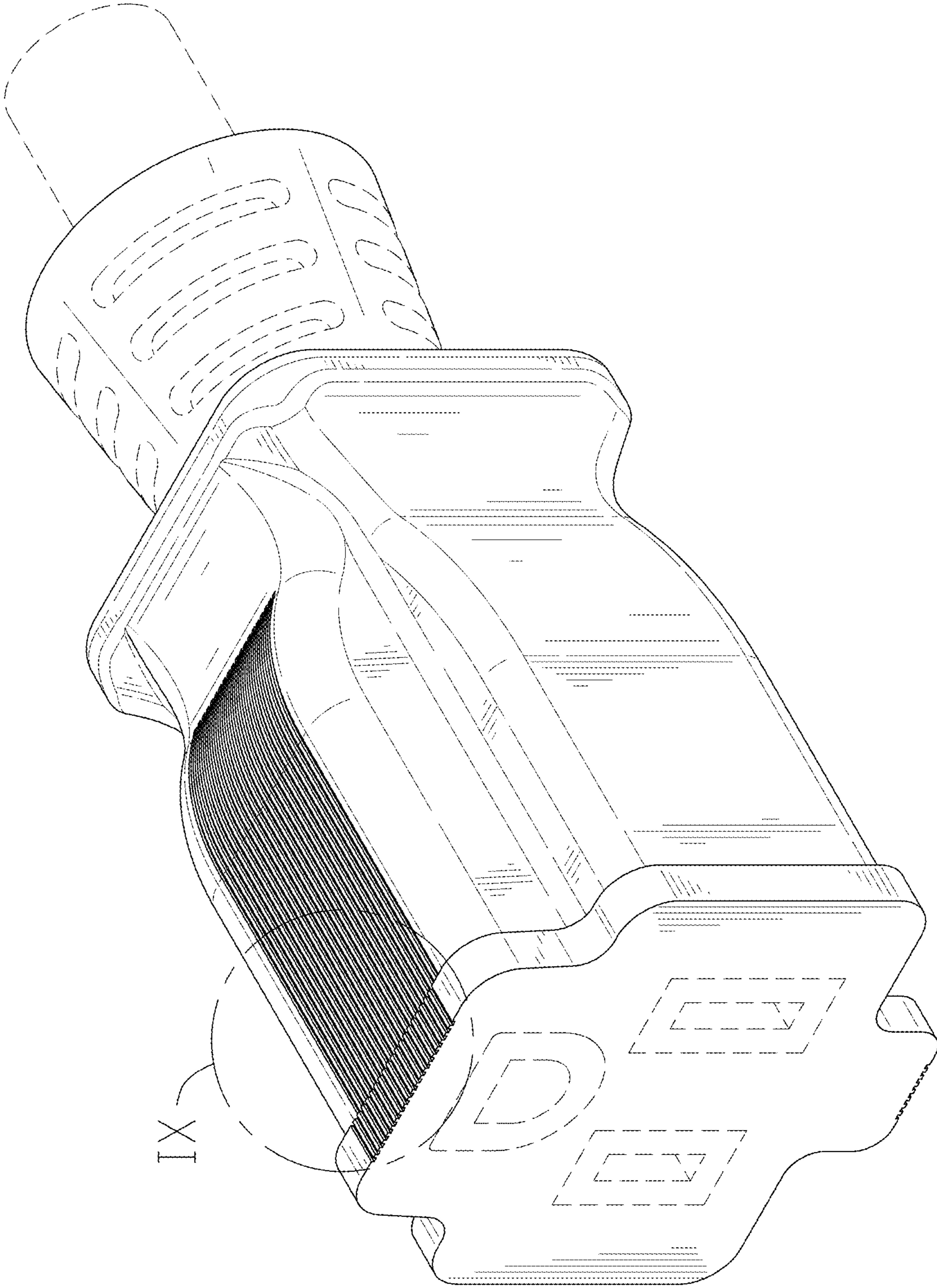


FIG. 1

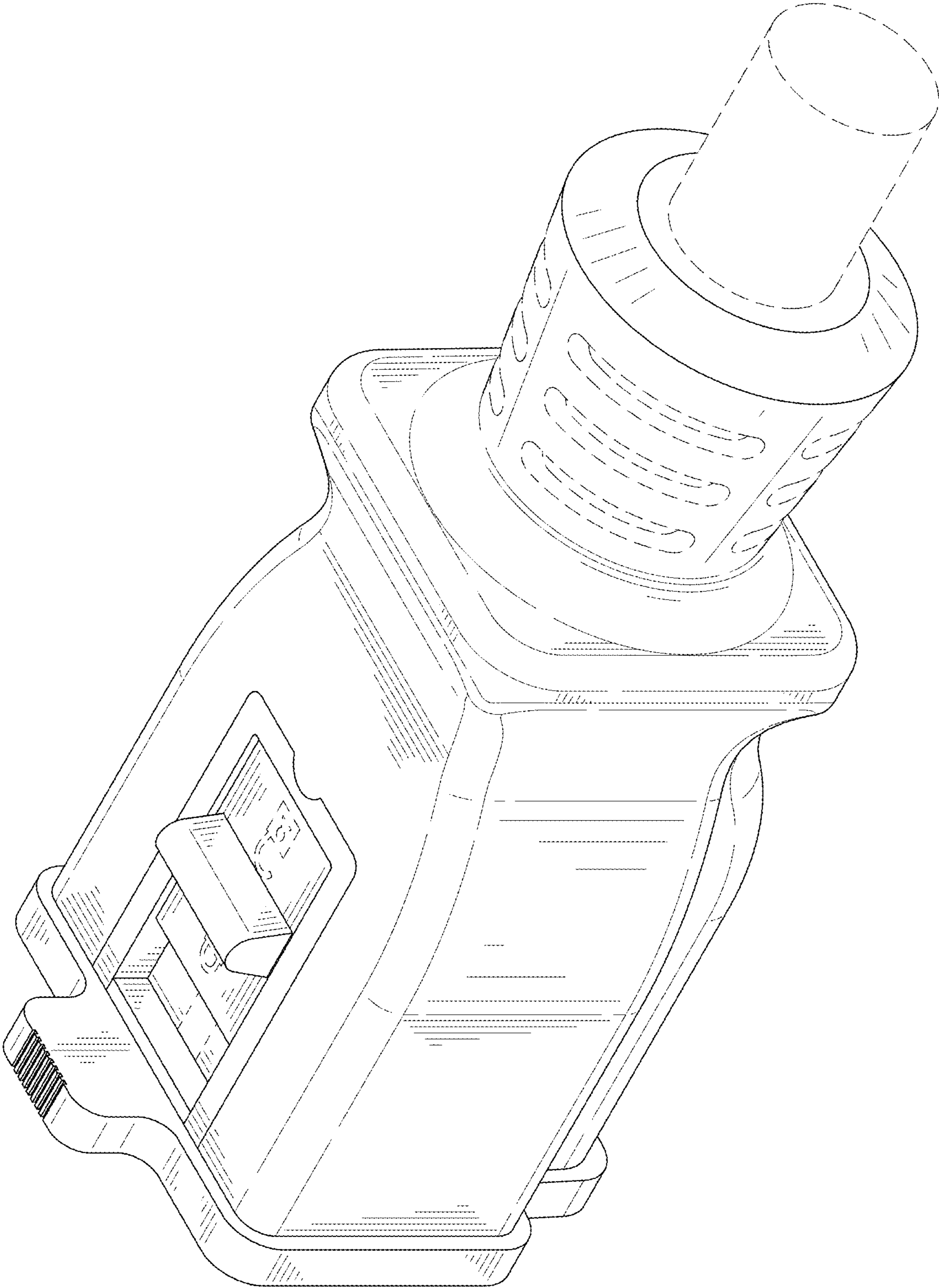


FIG. 2

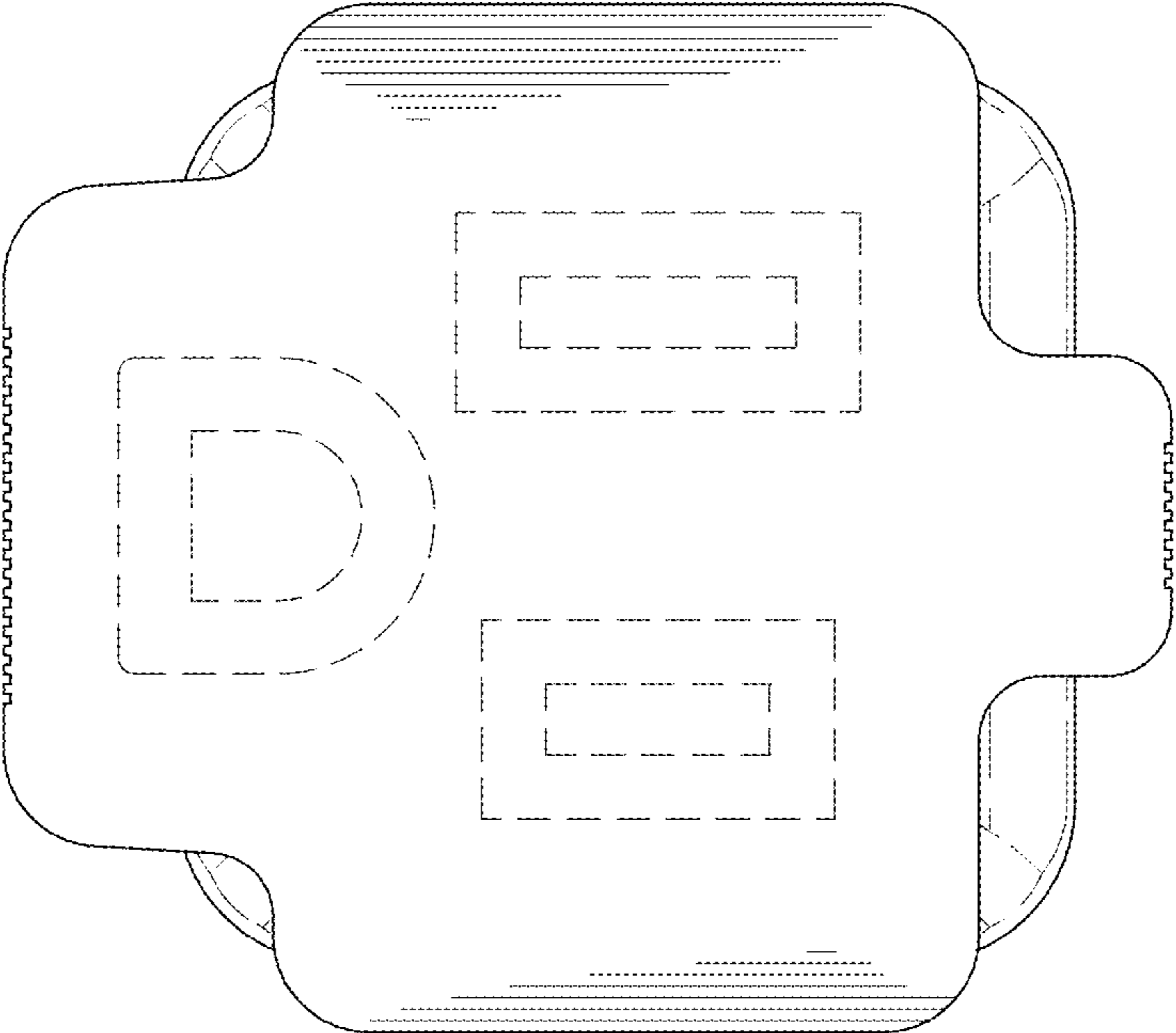


FIG. 3

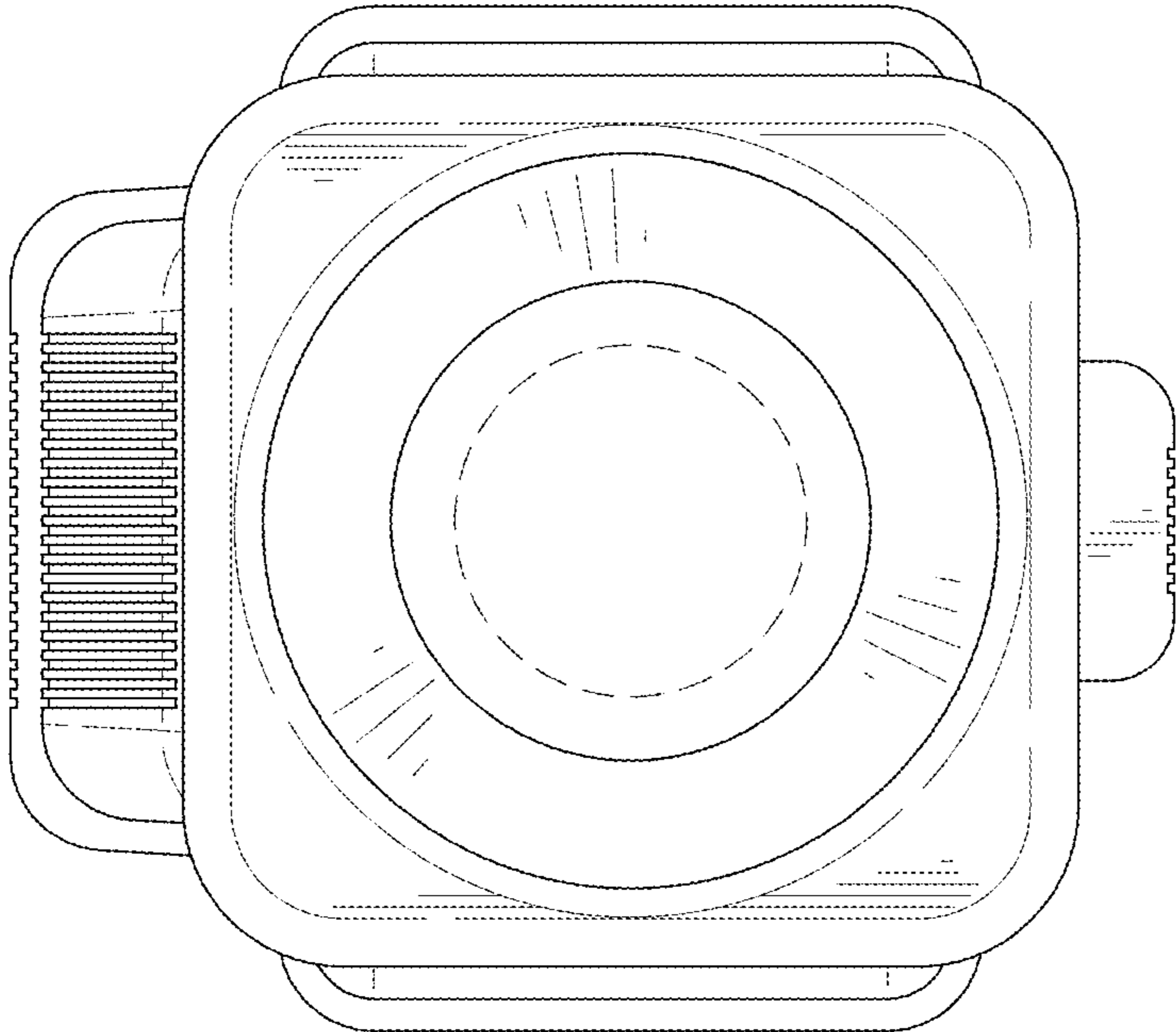


FIG. 4

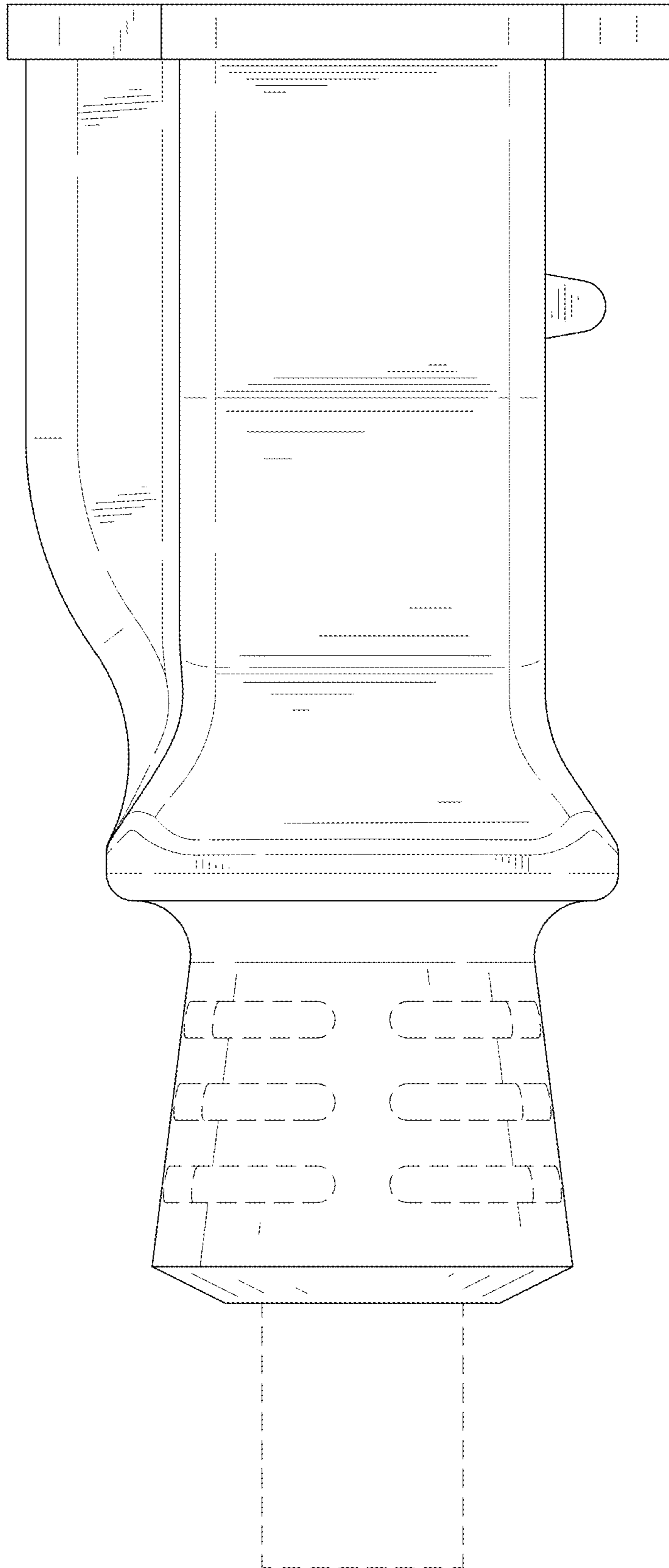


FIG. 5

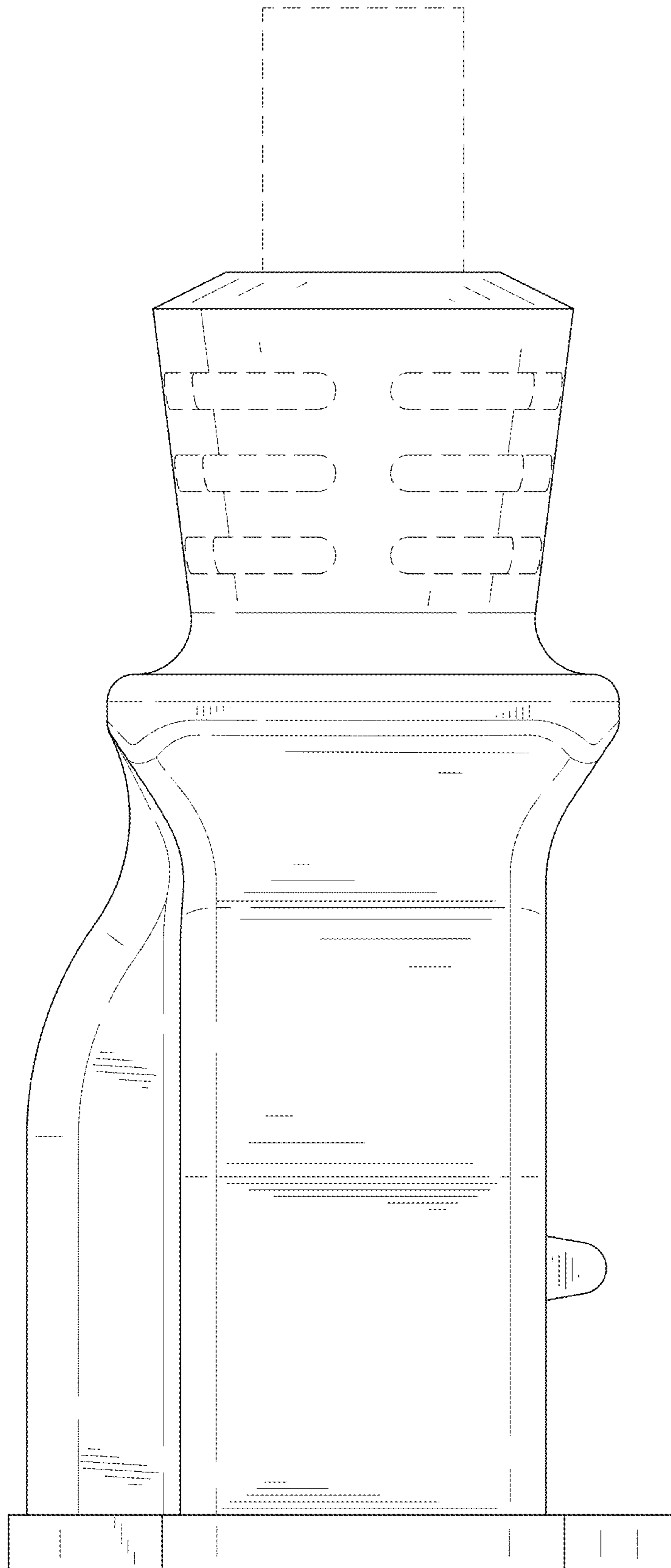


FIG. 6



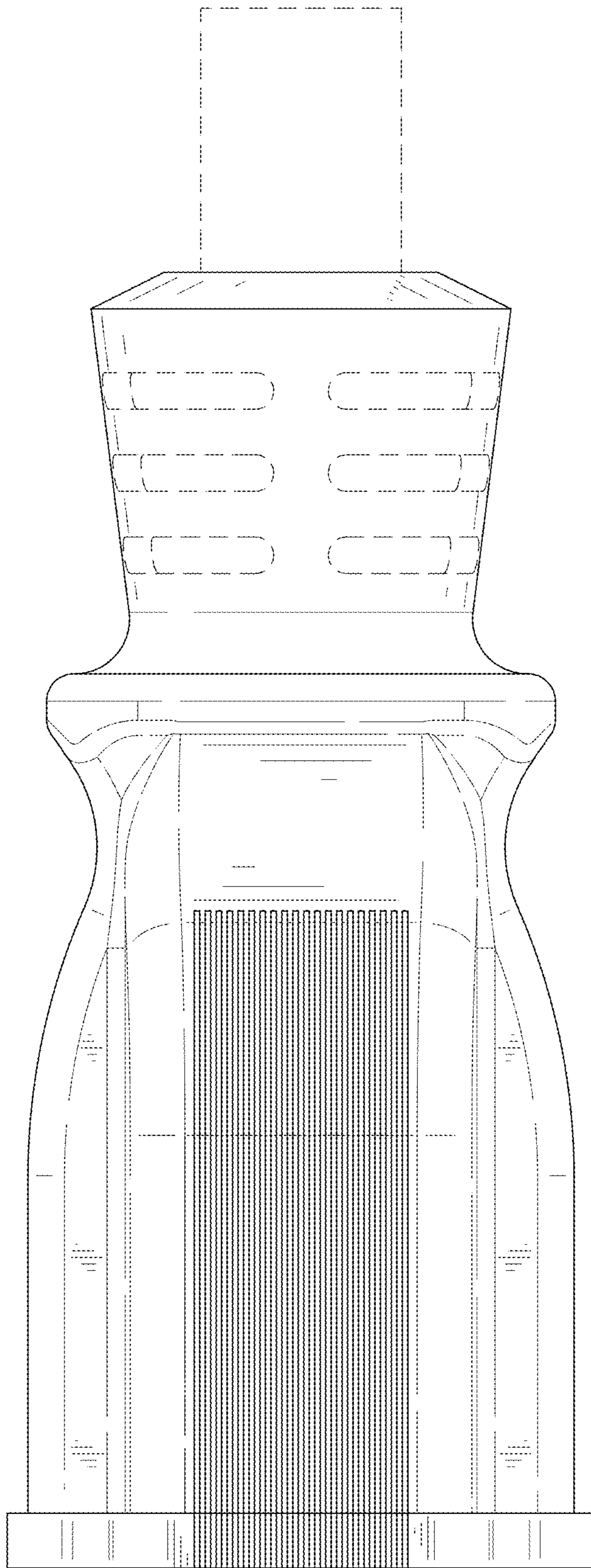


FIG. 7

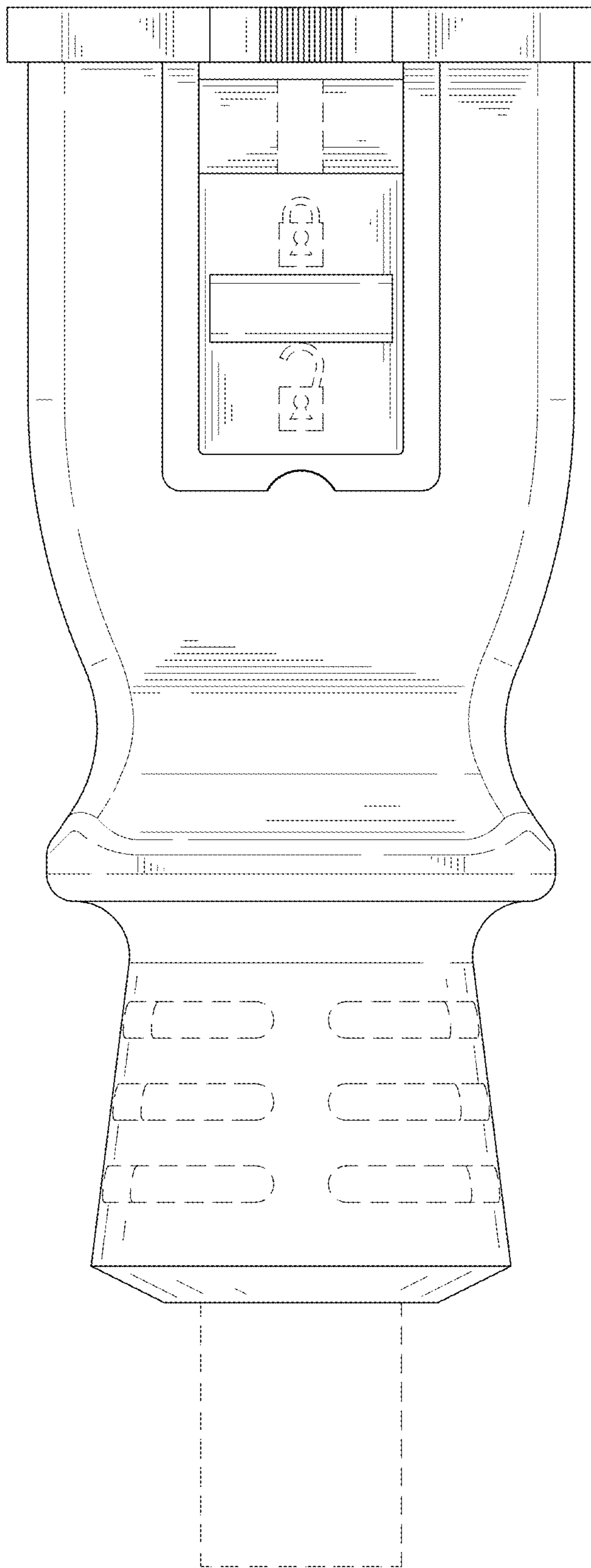


FIG. 8

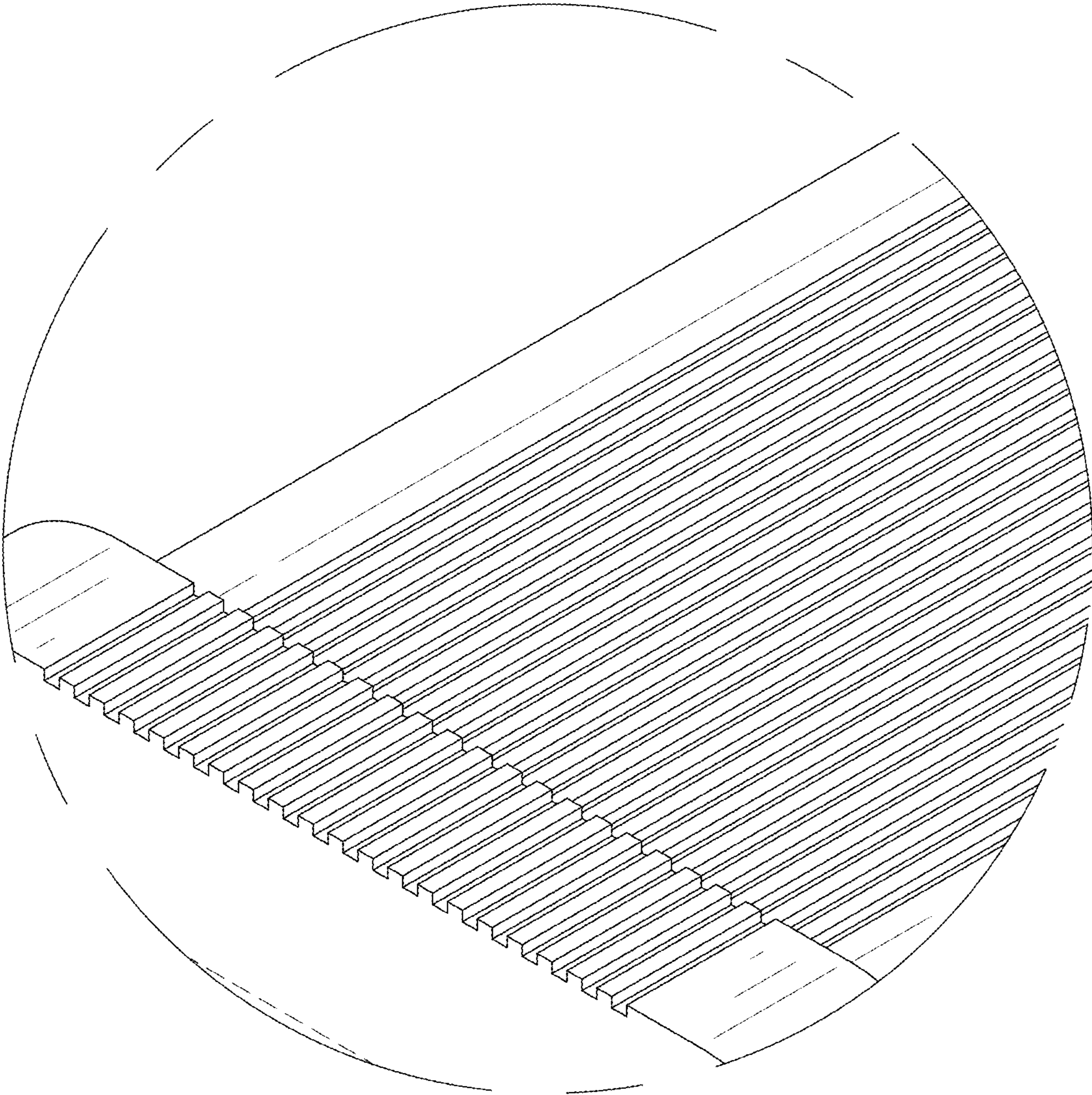


FIG. 9