



US00D920915S

(12) **United States Design Patent**
Zhuang et al.

(10) **Patent No.:** **US D920,915 S**

(45) **Date of Patent:** **** Jun. 1, 2021**

(54) **TERMINAL ASSEMBLY WITH A BIMETAL THERMAL PROTECTION PLATE FOR A POWER RECEPTACLE**

(71) Applicant: **Eaton Intelligent Power Limited**,
Dublin (IE)

(72) Inventors: **Alex Zhuang**, Shanghai (CN); **George Zhang**, Shanghai (CN); **Erik Jeffrey Gouhl**, Fayetteville, GA (US); **Darron Kirby Lacey**, Peachtree City, GA (US); **Tom Xiong**, Shanghai (CN)

(73) Assignee: **Eaton Intelligent Power Limited**,
Dublin (IE)

(**) Term: **15 Years**

(21) Appl. No.: **29/731,153**

(22) Filed: **Apr. 13, 2020**

Related U.S. Application Data

(62) Division of application No. 29/689,498, filed on Apr. 30, 2019, now Pat. No. Des. 884,640, which is a division of application No. 29/593,429, filed on Feb. 8, 2017, now Pat. No. Des. 852,747.

(51) **LOC (13) Cl.** **13-03**

(52) **U.S. Cl.**
USPC **D13/133; D13/154**

(58) **Field of Classification Search**
USPC D13/118–123, 133, 146, 147, 149,
D13/154–156, 160, 161, 173, 178, 184,
D13/199
CPC ... H01R 4/24; H01R 4/64; H01R 4/66; H01R
9/05; H01R 13/64; H01R 13/68; H01R
24/30; H01R 27/02; H01H 5/08; H01H
9/00; H01H 50/54; H01H 61/00; H01H
37/02; H01H 37/52; H01H 37/70; H01H
71/00; H01H 71/16; H01H 71/62
See application file for complete search history.

(56) **References Cited**

U.S. PATENT DOCUMENTS

1,641,002 A 8/1927 Kaplan
1,850,206 A 3/1932 Hertzberg
2,136,366 A 9/1935 Martin

(Continued)

OTHER PUBLICATIONS

Aperam Alloys Imphy “Thermostat Components Alloys” www.aperam.com/alloys-imphy (1 page) (Jun. 2012).

(Continued)

Primary Examiner — Angela J Lee

Assistant Examiner — Shawn T Gingrich

(74) *Attorney, Agent, or Firm* — Myers Bigel, P.A.

(57) **CLAIM**

The ornamental design for a terminal assembly with a bimetal thermal protection plate for a power receptacle, as shown and described.

DESCRIPTION

FIG. 1 is a top, side perspective view of a terminal assembly with a bimetal thermal protection plate for a power receptacle showing our design;

FIG. 2 is a bottom, side perspective view thereof;

FIG. 3 is a side view thereof;

FIG. 4 is an opposing side view thereof;

FIG. 5 is an end view thereof;

FIG. 6 is an opposing end view thereof;

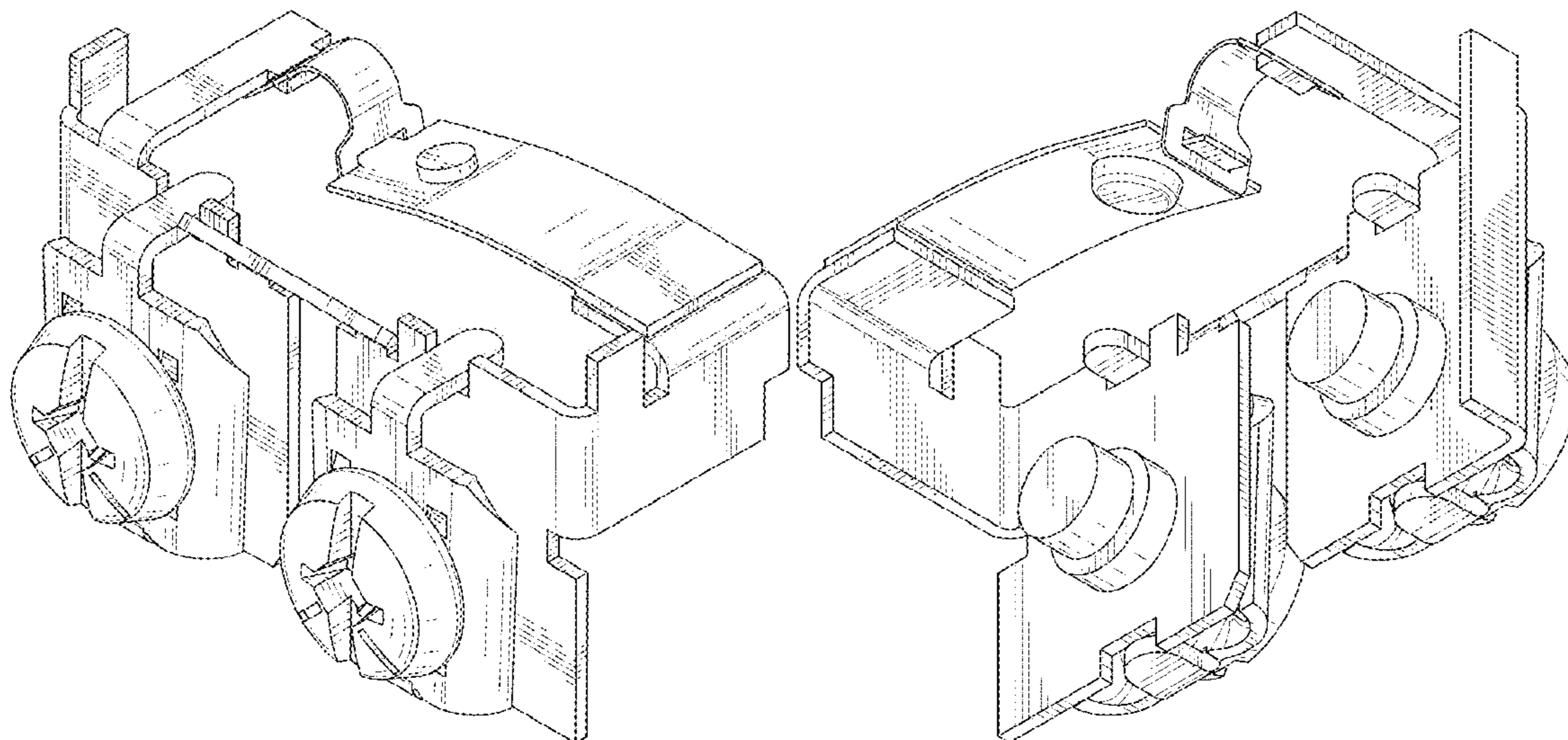
FIG. 7 is a top view thereof;

FIG. 8 is a bottom view thereof; and,

FIG. 9 is an environmental view of the terminal assembly with a bimetal thermal protection plate for a power receptacle shown with a power receptacle.

The broken lines shown herein are included to show portions of the article and environment that form no part of the claimed design.

1 Claim, 6 Drawing Sheets



(56)

References Cited

U.S. PATENT DOCUMENTS

2,399,406 A 4/1946 Toth
 2,508,637 A 5/1950 Bolesky
 2,783,329 A 2/1957 Jackson
 3,546,650 A 12/1970 Purer
 3,601,660 A 8/1971 Brandt et al.
 3,950,719 A 4/1976 Maxwelt
 4,286,246 A 8/1981 Jacques, Jr. et al.
 4,570,145 A 2/1986 Carey
 4,847,587 A 7/1989 Muller
 4,931,762 A 6/1990 Fierro
 5,760,672 A 6/1998 Wang
 5,828,284 A 10/1998 Huang
 6,166,618 A 12/2000 Robertson et al.
 6,307,460 B1 10/2001 Yu
 6,552,644 B2 4/2003 Yu
 6,664,884 B1 12/2003 Yu
 D486,791 S 2/2004 Franks, Jr.
 D487,427 S 3/2004 Franks, Jr.
 D508,676 S 8/2005 Franks, Jr.
 7,232,971 B2 6/2007 Chen
 7,241,176 B2 7/2007 Wang
 D554,066 S 10/2007 Kondas
 D569,802 S 5/2008 Long et al.
 7,385,473 B2 6/2008 Fabian et al.
 D585,845 S 2/2009 Dennes
 7,501,926 B2 3/2009 Watchom et al.
 7,514,872 B2 4/2009 Smith et al.
 7,589,610 B2 * 9/2009 Huang H01H 71/16
 337/56
 7,626,482 B2 12/2009 Huang

7,683,750 B1 3/2010 Yu
 D624,027 S 9/2010 Huang et al.
 D652,830 S 1/2012 Nazar
 8,864,505 B2 10/2014 Chuang
 D729,738 S 5/2015 Cole et al.
 9,178,300 B1 11/2015 Huang
 9,871,329 B1 1/2018 Lacey et al.
 D818,357 S 5/2018 Cummings
 D852,747 S 7/2019 Zhuang et al.
 10,395,871 B1 * 8/2019 Salas H01H 71/0207
 D884,640 S * 5/2020 Zhuang D13/133
 10,811,209 B2 * 10/2020 Lim H01H 71/526
 2004/0055863 A1 3/2004 Huang
 2004/0219823 A1 11/2004 Greene et al.
 2005/0287848 A1 12/2005 Kurek et al.
 2006/0072275 A1 * 4/2006 Yu H01C 7/126
 361/105
 2006/0128232 A1 6/2006 Kim
 2015/0070126 A1 3/2015 Bussa
 2016/0204561 A1 7/2016 Stephens
 2016/0314924 A1 10/2016 Gaudefroy et al.
 2017/0117102 A1 4/2017 Johansson et al.
 2018/0115146 A1 4/2018 Murahari et al.
 2020/0020499 A1 1/2020 Lim et al.

OTHER PUBLICATIONS

Photographs of Two Prior Art Products—Appliance Switch and Heat Protector Products with Bimetallic Strip—External and Disassembled Views (2 pages) (date unknown, but prior to filing date of the present application).

* cited by examiner

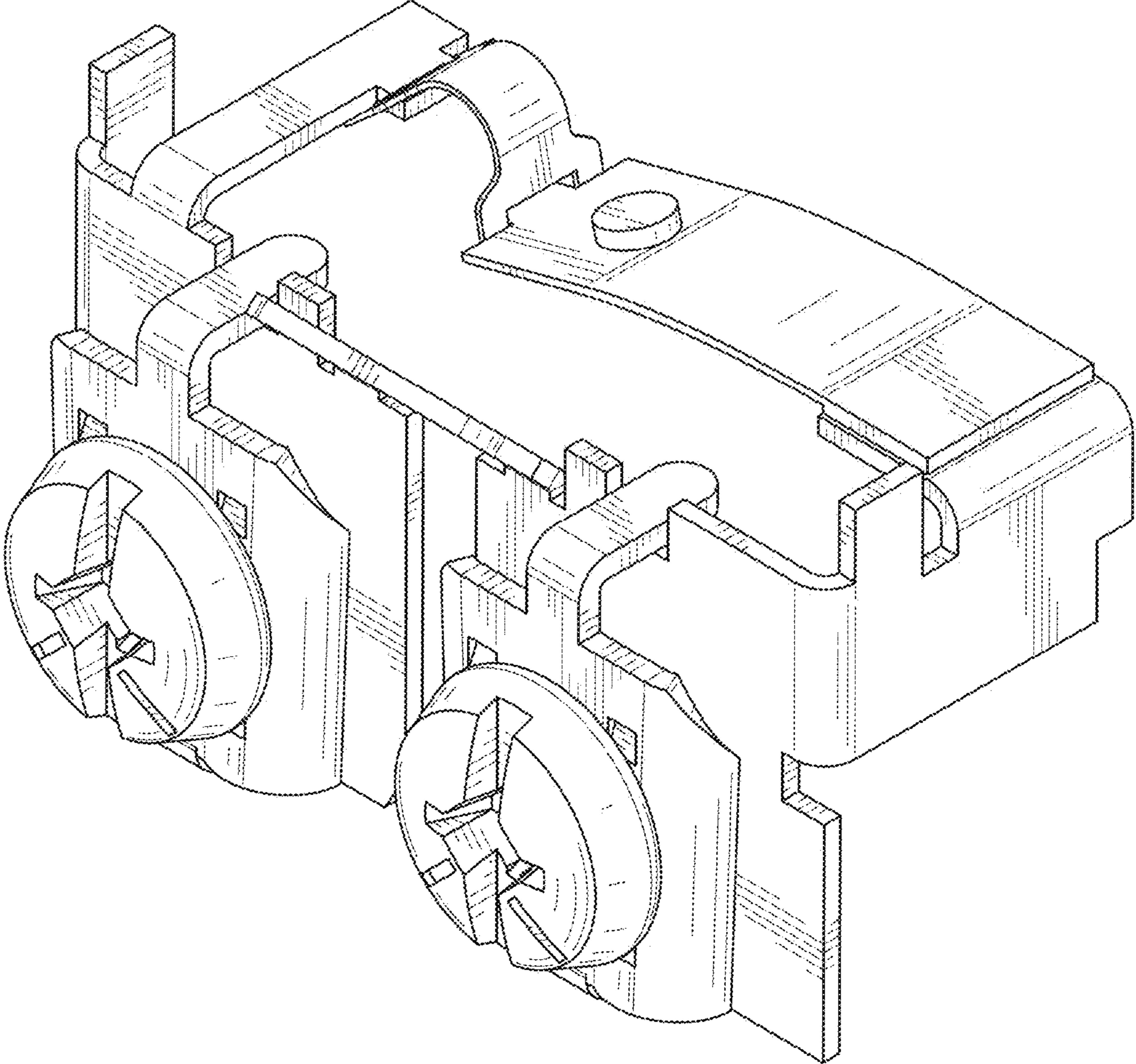


FIG. 1

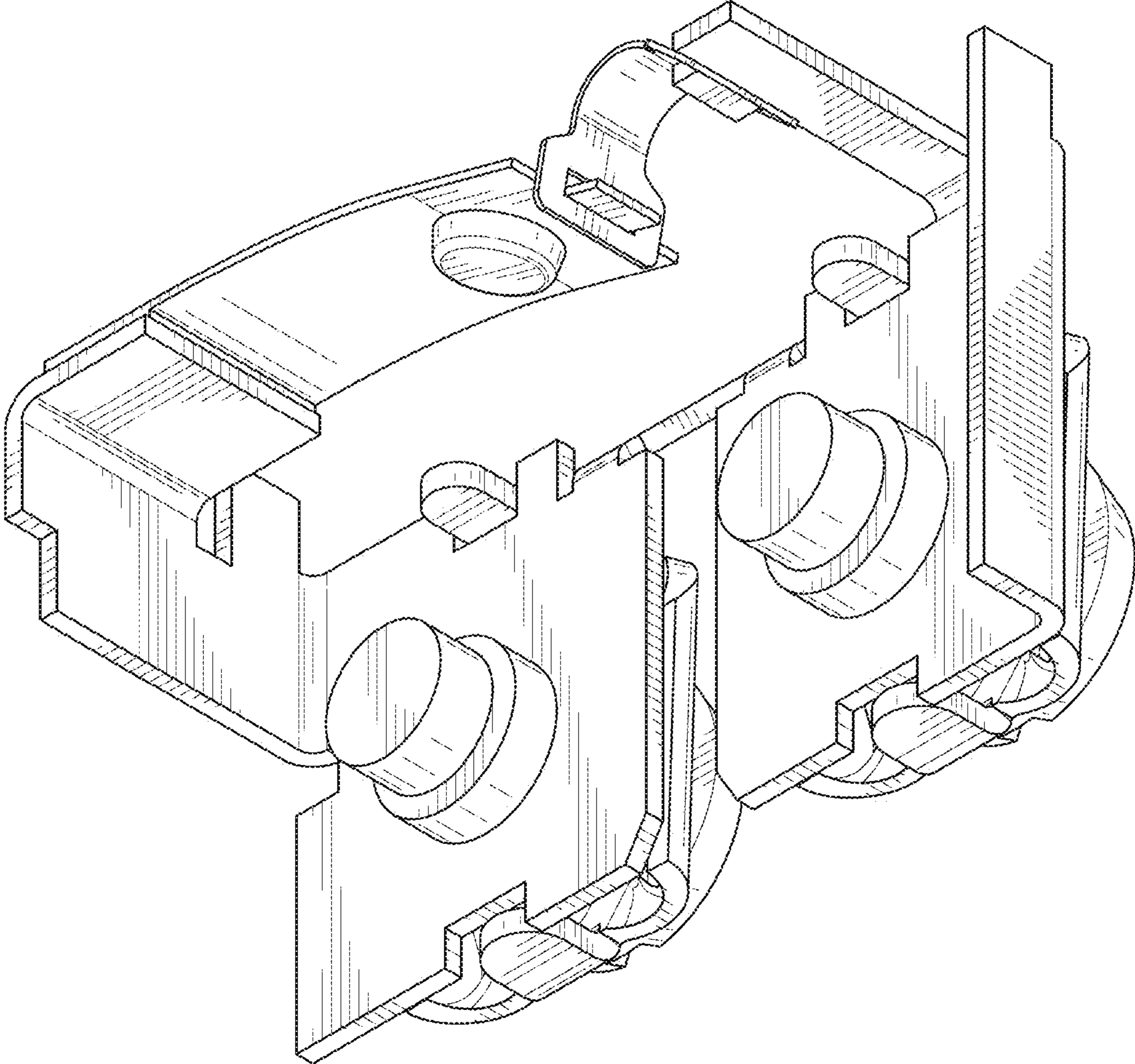


FIG. 2

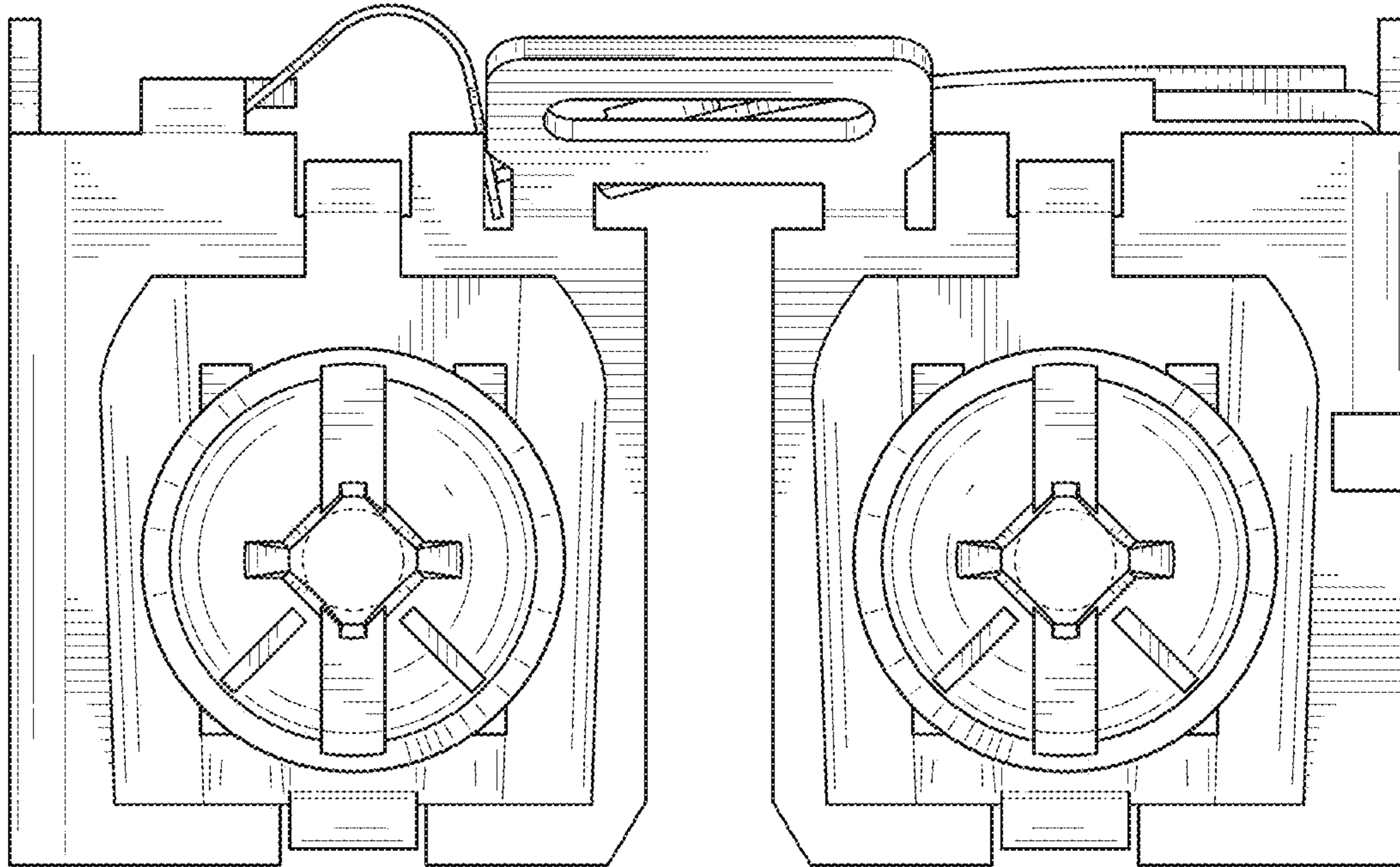


FIG. 3

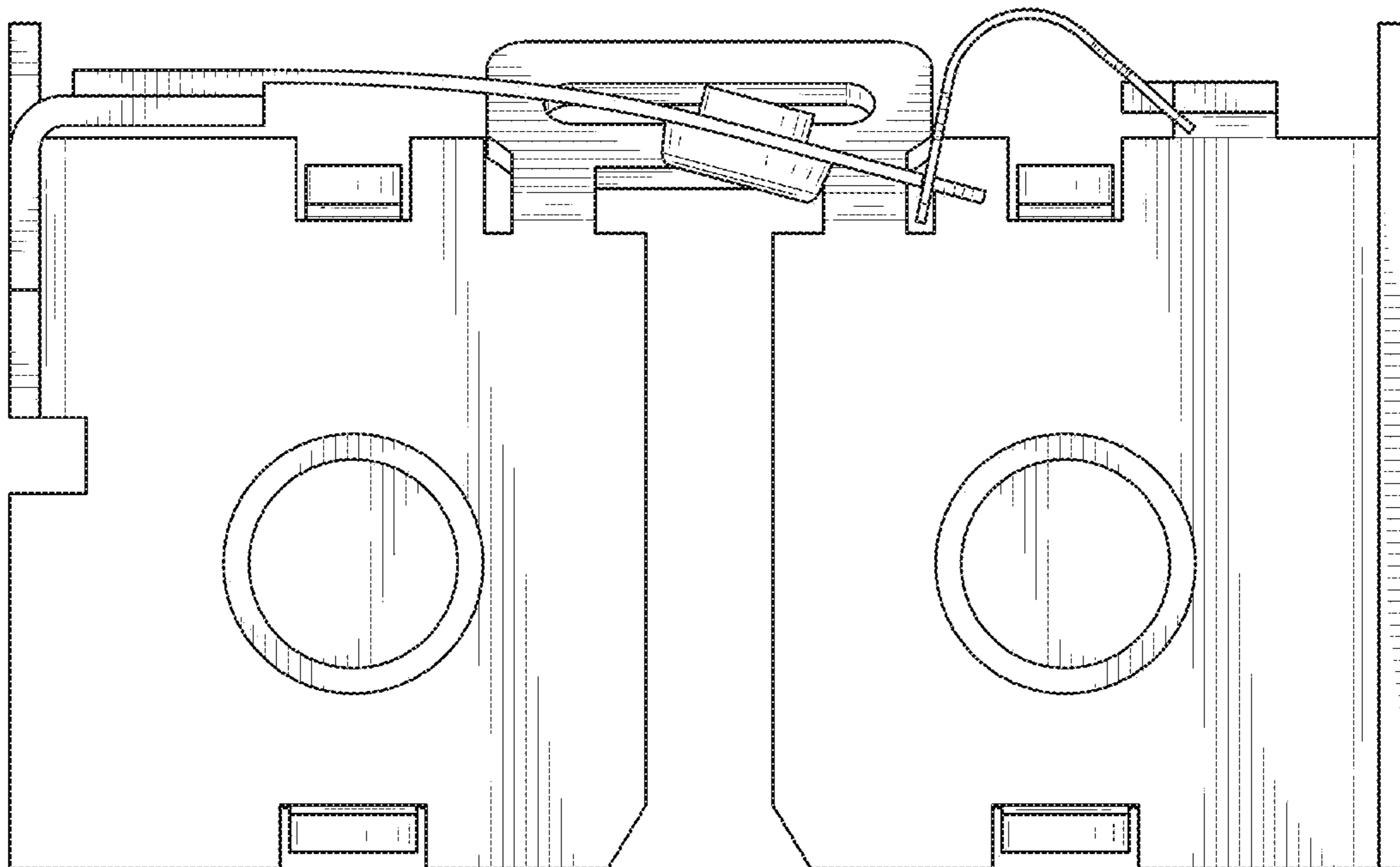


FIG. 4

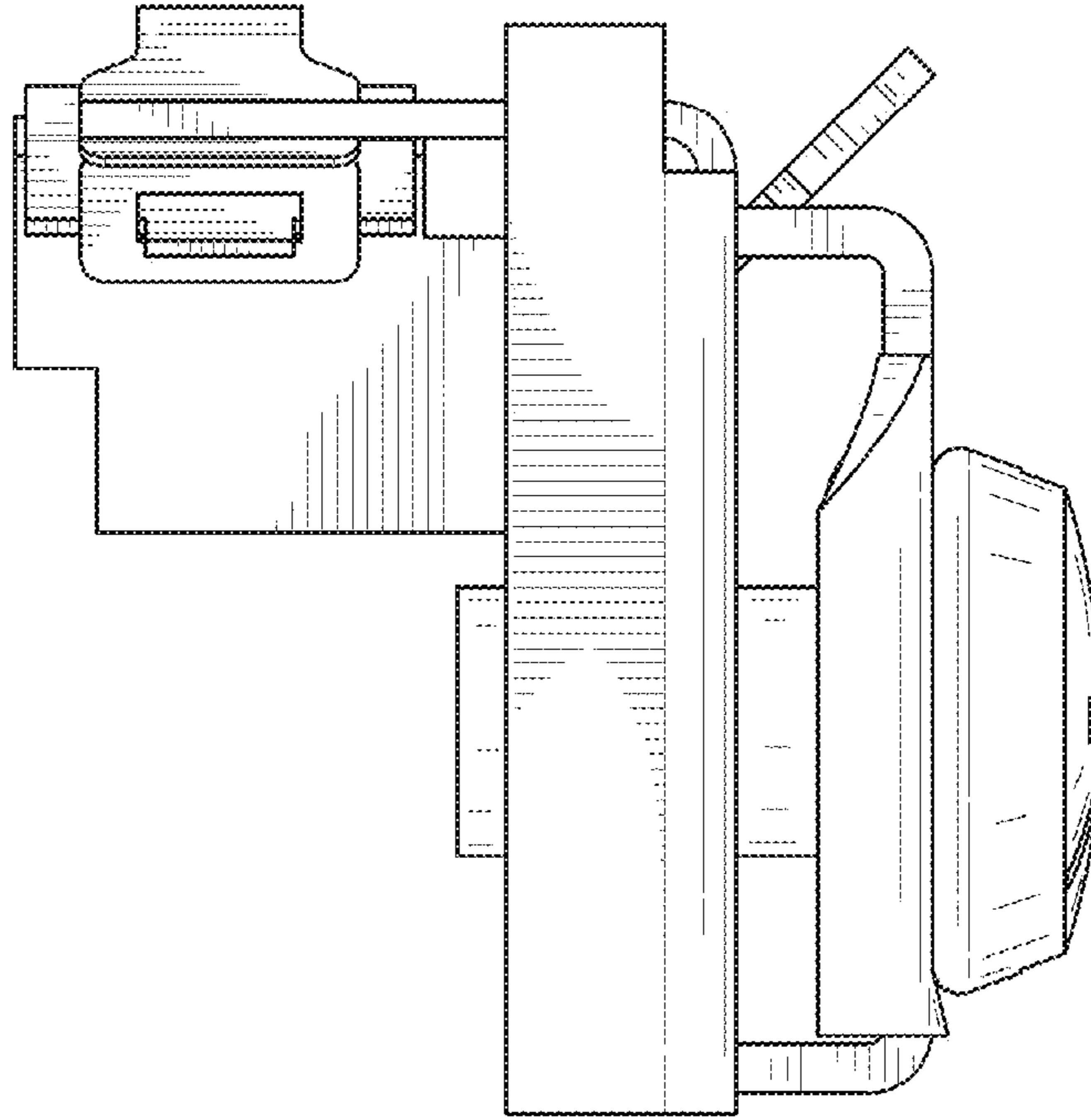


FIG. 5

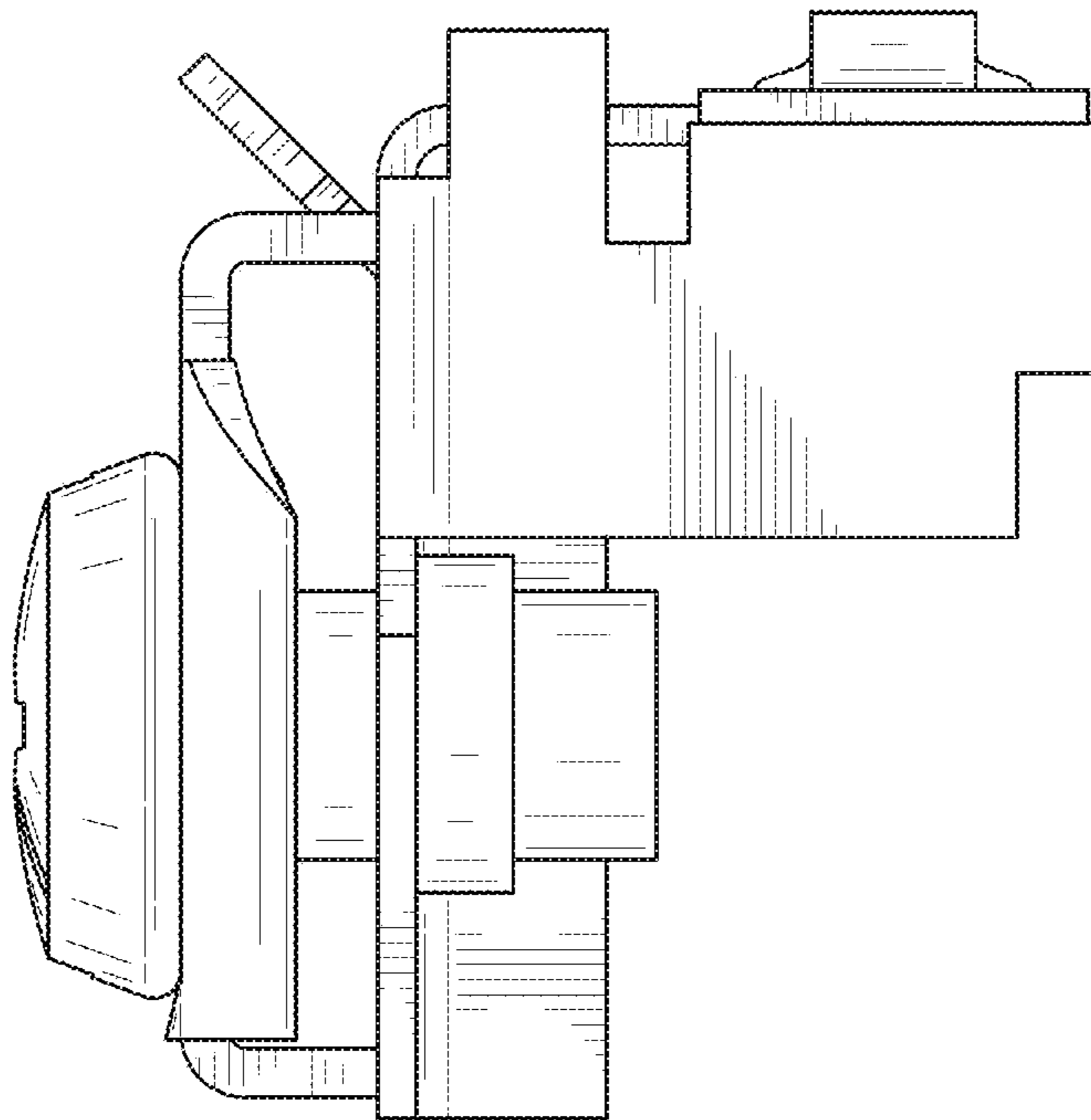


FIG. 6

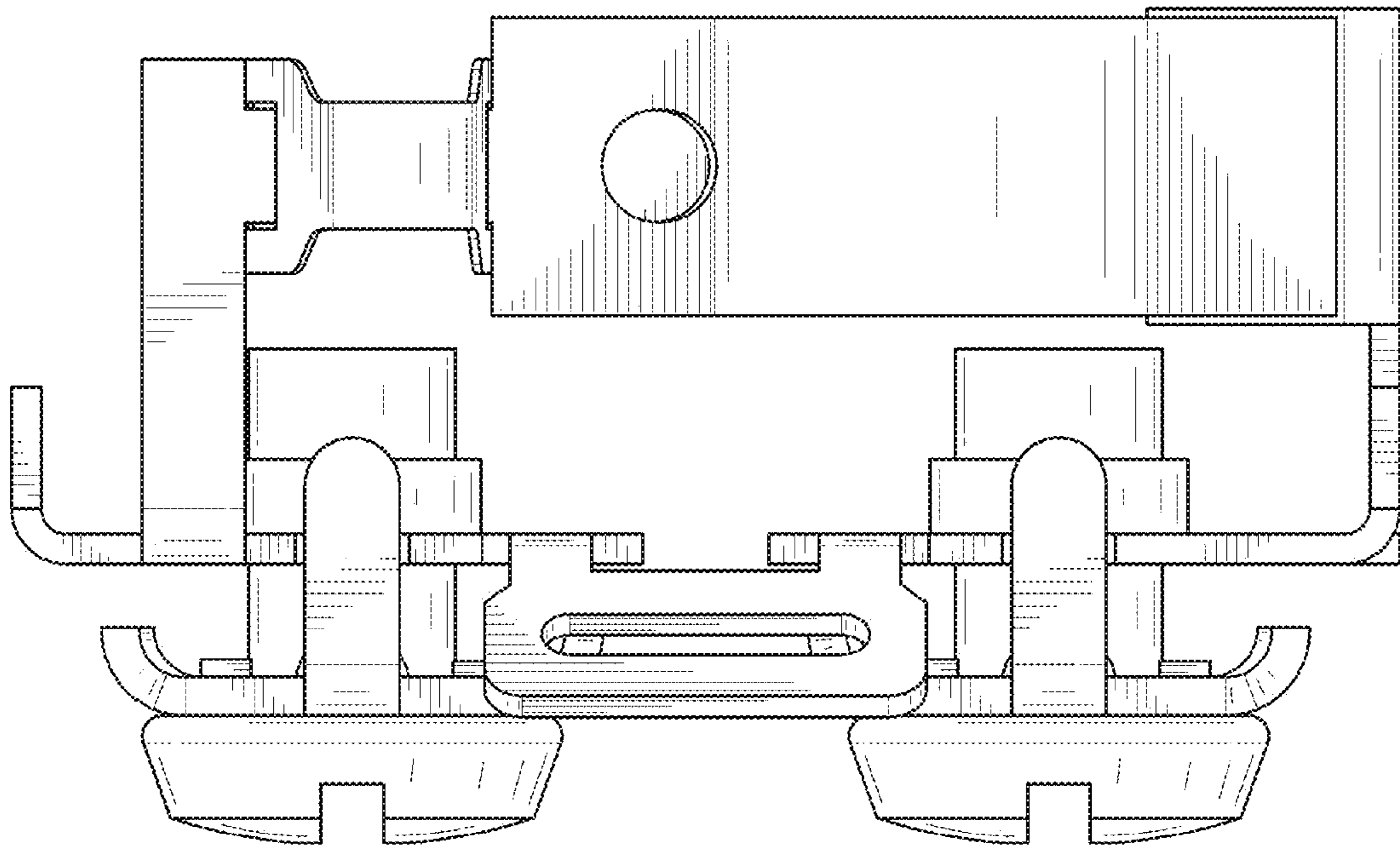


FIG. 7

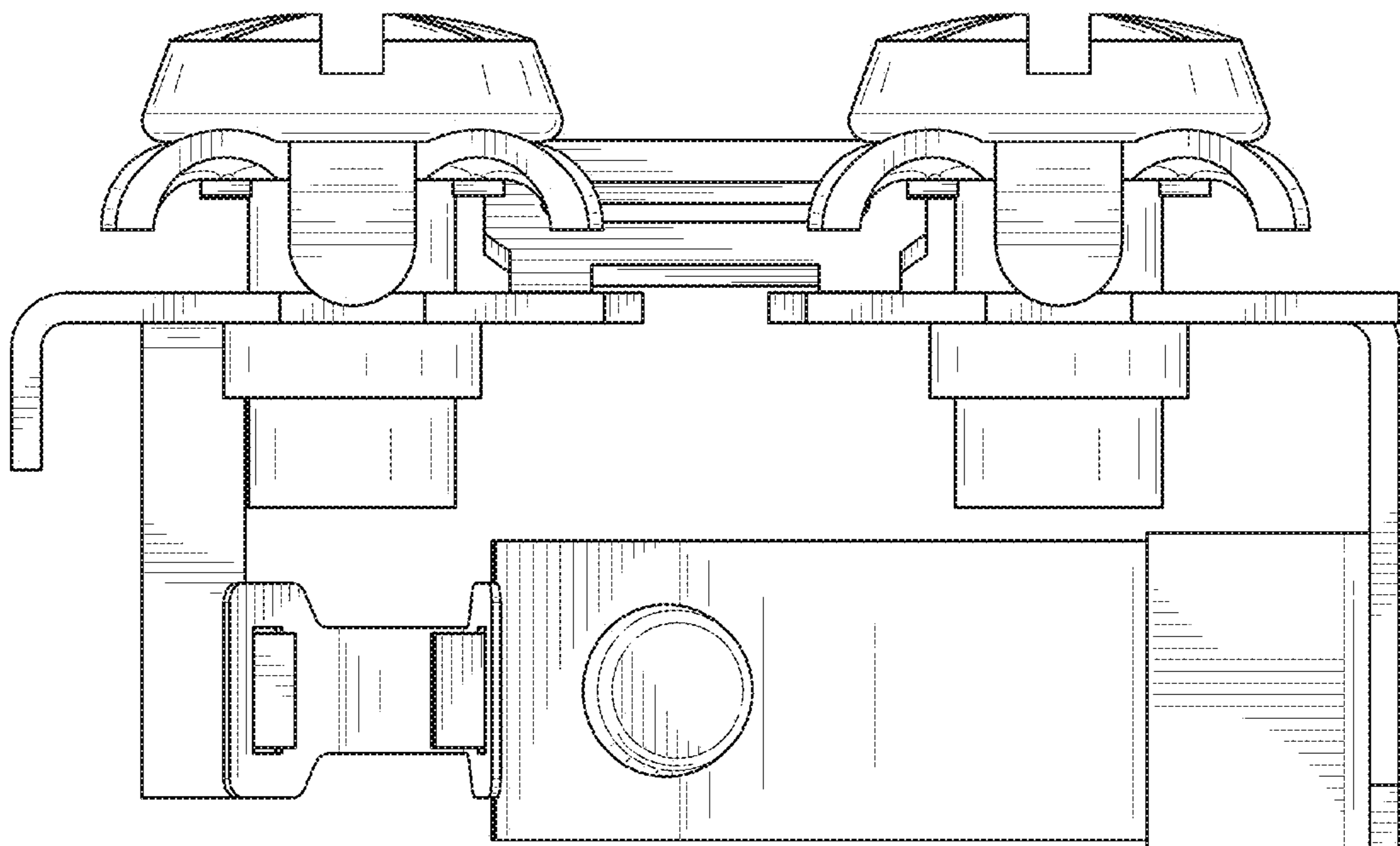


FIG. 8

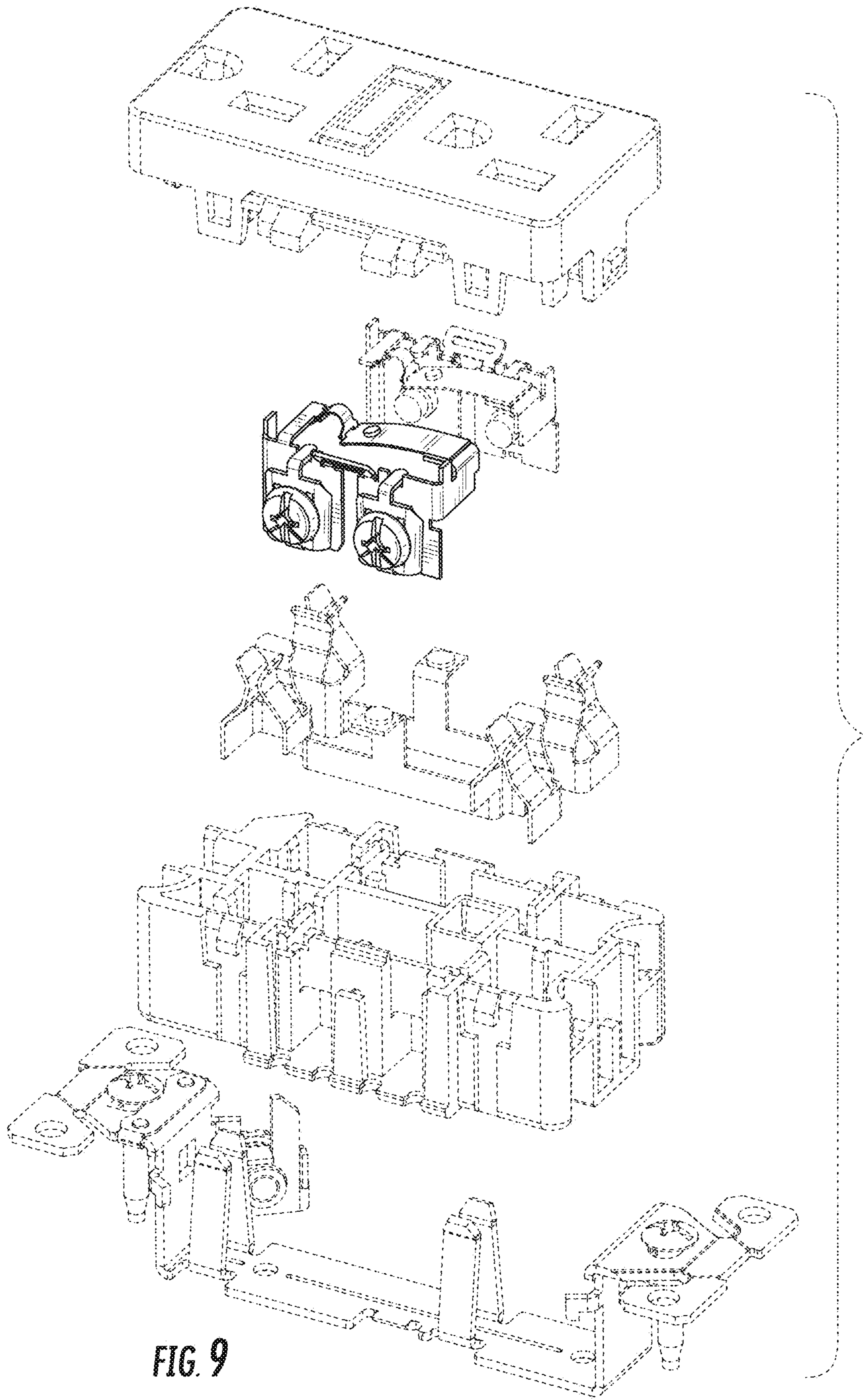


FIG. 9