



US00D920913S

(12) **United States Design Patent** (10) **Patent No.:** **US D920,913 S**
Kim et al. (45) **Date of Patent:** **** *Jun. 1, 2021**

(54) **ELECTRODE ASSEMBLY**

(71) Applicant: **LiBEST INC.**, Daejeon (KR)

(72) Inventors: **Joo Seong Kim**, Daejeon (KR); **Jin Hong Ha**, Daejeon (KR)

(73) Assignee: **LiBEST INC.**, Daejeon (KR)

(*) Notice: This patent is subject to a terminal disclaimer.

(**) Term: **15 Years**

(21) Appl. No.: **29/685,994**

(22) Filed: **Apr. 2, 2019**

(51) **LOC (13) Cl.** **13-02**

(52) **U.S. Cl.**
 USPC **D13/121**

(58) **Field of Classification Search**
 USPC D13/118, 119, 120, 121, 147, 154, 173,
 D13/182, 184, 199; D14/356, 432, 433,
 D14/435
 CPC ... H01M 10/045; H01M 10/0468; H01M 6/40
 See application file for complete search history.

(56) **References Cited**

U.S. PATENT DOCUMENTS

3,023,259	A *	2/1962	Coler	H01M 4/622 429/127
4,761,352	A *	8/1988	Bakos	H01M 6/10 429/136
5,532,086	A *	7/1996	Thibault	H01M 4/02 428/626
D385,531	S *	10/1997	Hermes	D13/173
D578,084	S *	10/2008	Kobayakawa	D13/180
D578,966	S *	10/2008	Grimm	D13/153
7,494,945	B2 *	2/2009	Moreshead	D06N 3/0002 442/185
D743,399	S *	11/2015	Frank	D14/435
D815,602	S *	4/2018	Koenig	D13/153

2016/0240325	A1 *	8/2016	Tajima	H01G 11/26
2017/0288258	A1 *	10/2017	Rho	H01M 10/04
2020/0014016	A1 *	1/2020	Kim	H01M 10/04
2020/0099033	A1 *	3/2020	Yim	A41F 9/002

OTHER PUBLICATIONS

“Libest Battery”. Found online Aug. 6, 2020 at facebook.com. Reference dated Nov. 26, 2017. Retrieved from <https://www.facebook.com/LiBEST.Inc/photos/a.1492852734117784/1492852594117798/?type=3&theater>. (Year: 2017).*

“Electrode-Separator Stack”. Found online Aug. 7, 2020 at researchgate.com. Reference dated Jul. 2014. Retrieved from https://www.researchgate.net/figure/a-Core-electrode-separator-stack-of-a-prismatic-lithium-ion-battery-with-planar_fig5_262017038. (Year: 2014).*

“Polymer Li-Ion Cell”. Found online Aug. 7, 2020 at batteryspace.com. Reference dated Jun. 1, 2012. Retrieved from <https://www.batteryspace.com/polymer-li-ion-cell-3-7v-21ah-1055275-2c-77-7wh-42a-rate-un38-3-passed-dgr.aspx>. (Year: 2012).*

* cited by examiner

Primary Examiner — Kendra Leslie Hamilton
Assistant Examiner — Amanda Christensen
 (74) *Attorney, Agent, or Firm* — Hamre, Schumann, Mueller & Larson, P.C.

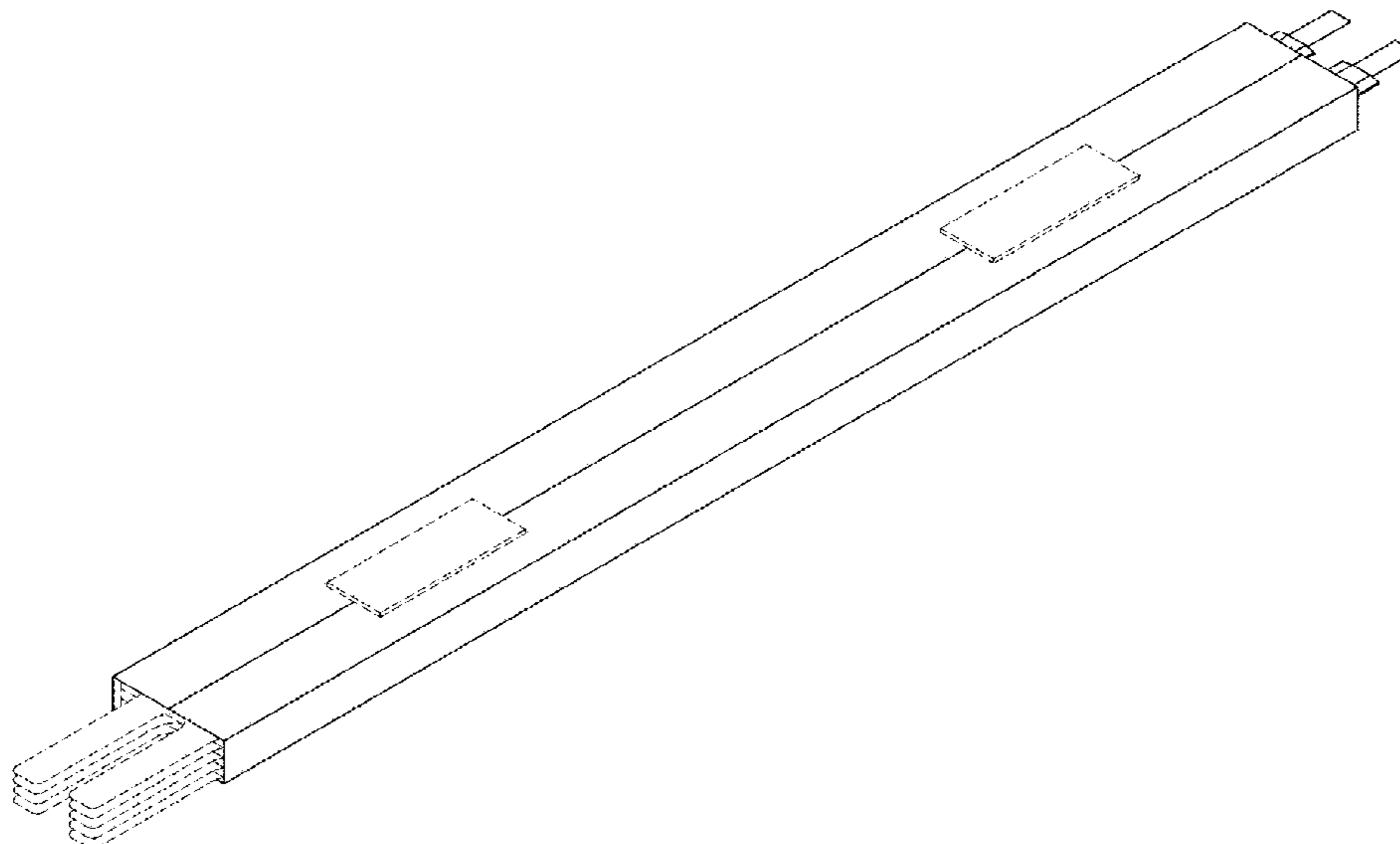
(57) **CLAIM**

The ornamental design for electrode assembly, as shown and described.

DESCRIPTION

FIG. 1 is a top, front perspective view of an electrode assembly showing our new design, FIG. 2 is a top plan view thereof; FIG. 3 is a bottom plan view thereof; FIG. 4 is a left side elevation view thereof; FIG. 5 is a right side elevation view thereof; FIG. 6 is a front view elevation thereof; and, FIG. 7 is a rear view elevation thereof. The broken lines in the drawings depict environmental structure and form no part of the claimed design.

1 Claim, 4 Drawing Sheets



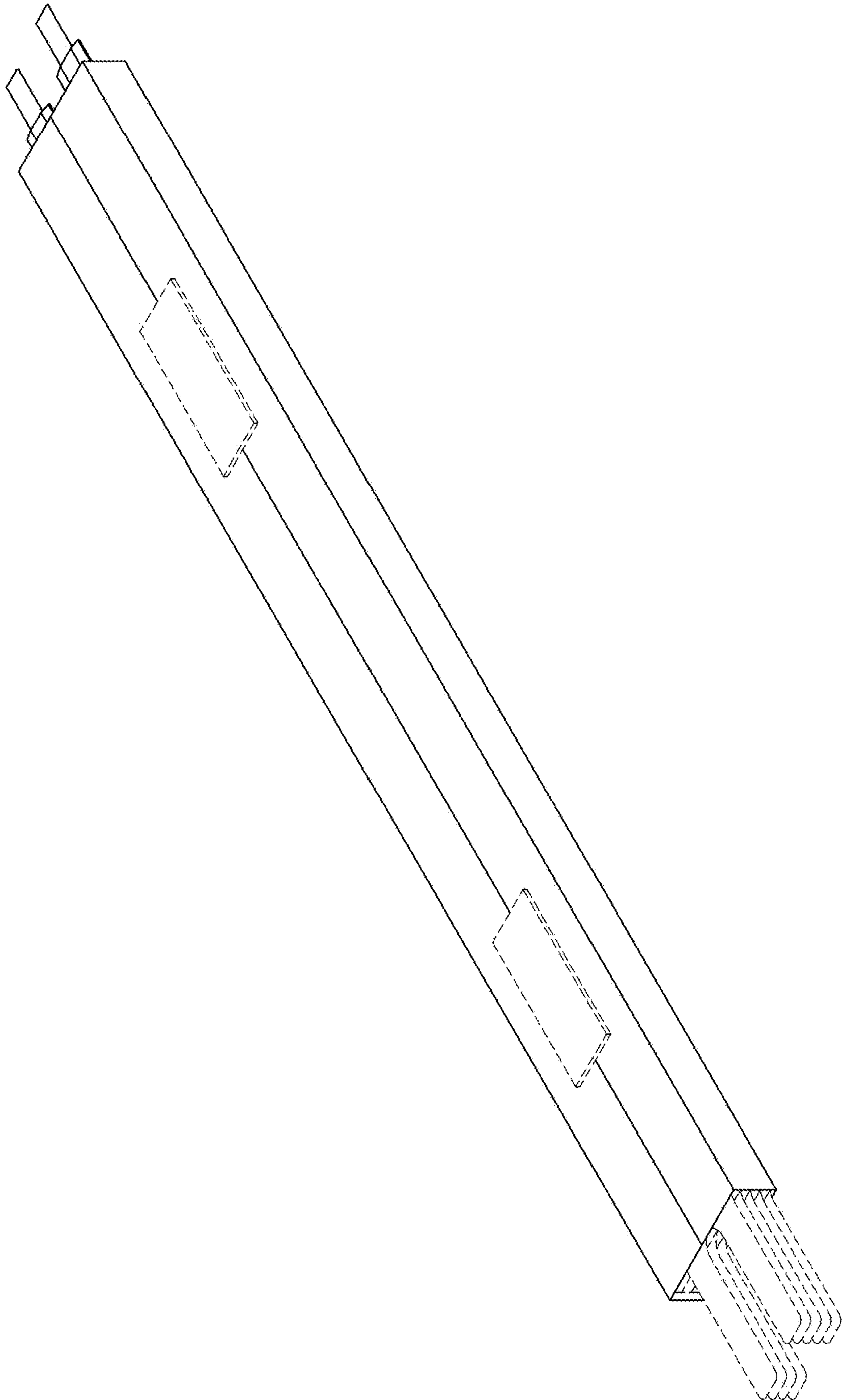


FIG. 1

FIG. 2

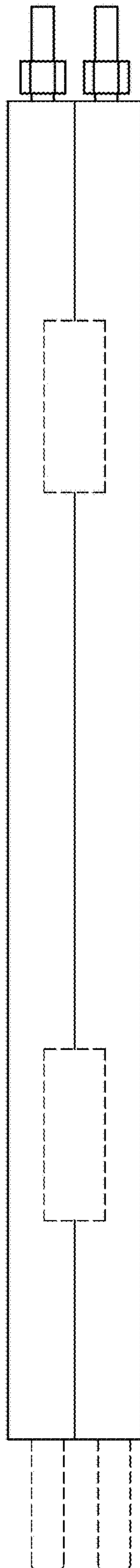


FIG. 3

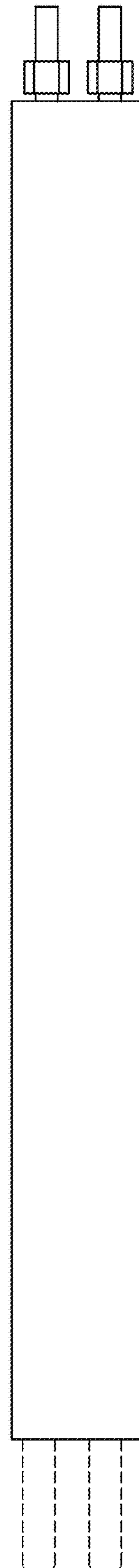


FIG. 4

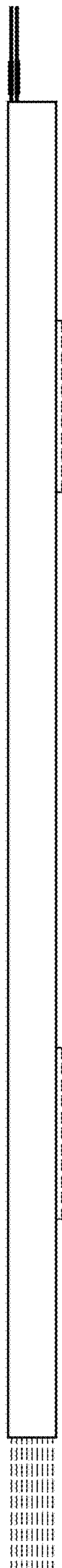


FIG. 5



FIG. 6

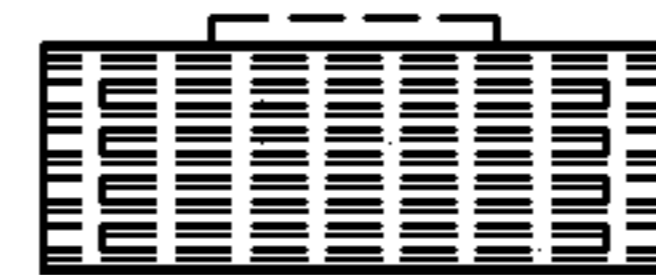


FIG. 7

