



US00D920911S

(12) **United States Design Patent**  
**Moriya**

(10) **Patent No.:** **US D920,911 S**

(45) **Date of Patent:** **\*\* Jun. 1, 2021**

(54) **COIL COMPONENT**

(71) Applicant: **SUMIDA CORPORATION**, Tokyo  
(JP)

(72) Inventor: **Hitoshi Moriya**, Natori (JP)

(73) Assignee: **SUMIDA CORPORATION**

(\*\*) Term: **15 Years**

(21) Appl. No.: **29/698,487**

(22) Filed: **Jul. 17, 2019**

(30) **Foreign Application Priority Data**

Jan. 23, 2019	(JP)	.....	2019-001225
Jan. 23, 2019	(JP)	.....	2019-001226
Jan. 23, 2019	(JP)	.....	2019-001227
Jan. 23, 2019	(JP)	.....	2019-001228

(51) **LOC (13) Cl.** ..... **13-02**

(52) **U.S. Cl.**  
USPC ..... **D13/117**

(58) **Field of Classification Search**  
USPC ..... D13/101, 110, 117, 118, 119, 120, 121,  
D13/122, 129, 133, 153, 179, 182, 183,  
D13/199  
CPC ..... H01F 27/00; H01F 27/2866; H01F 41/06  
See application file for complete search history.

(56) **References Cited**

**U.S. PATENT DOCUMENTS**

7,471,179	B2 *	12/2008	Hatakeyama	.....	H01F 17/045
					336/192
D586,745	S *	2/2009	Shibata	.....	D13/117
D662,054	S *	6/2012	Urano	.....	D13/117
D721,651	S *	1/2015	Iwakura	.....	D13/117
9,305,695	B2 *	4/2016	Karasek	.....	H01F 17/045
D831,570	S *	10/2018	Takagi	.....	D13/117
10,153,081	B2 *	12/2018	Hirai	.....	H01F 27/29
D842,248	S *	3/2019	Komaya	.....	D13/117

10,692,639	B2 *	6/2020	Jerez	.....	H01F 27/292
2017/0004919	A1 *	1/2017	Dinh	.....	H01F 27/306
2017/0345560	A1	11/2017	Tomonari et al.		
2018/0061557	A1 *	3/2018	Yang	.....	H01F 27/325

(Continued)

**FOREIGN PATENT DOCUMENTS**

JP	H08-213242	A	8/1996
JP	1143072	S	6/2002

(Continued)

**OTHER PUBLICATIONS**

“Common-Mode Choke”. Found online Nov. 3, 2020 at eewspower.com. Reference dated Jun. 20, 2017. Retrieved from <https://www.eewspower.com/news/32x25x25mm-common-mode-choke-targets-automotive-ethernet>. (Year: 2017).\*

(Continued)

*Primary Examiner* — Kendra Leslie Hamilton  
*Assistant Examiner* — Amanda Christensen  
(74) *Attorney, Agent, or Firm* — Harness, Dickey & Pierce, P.L.C.

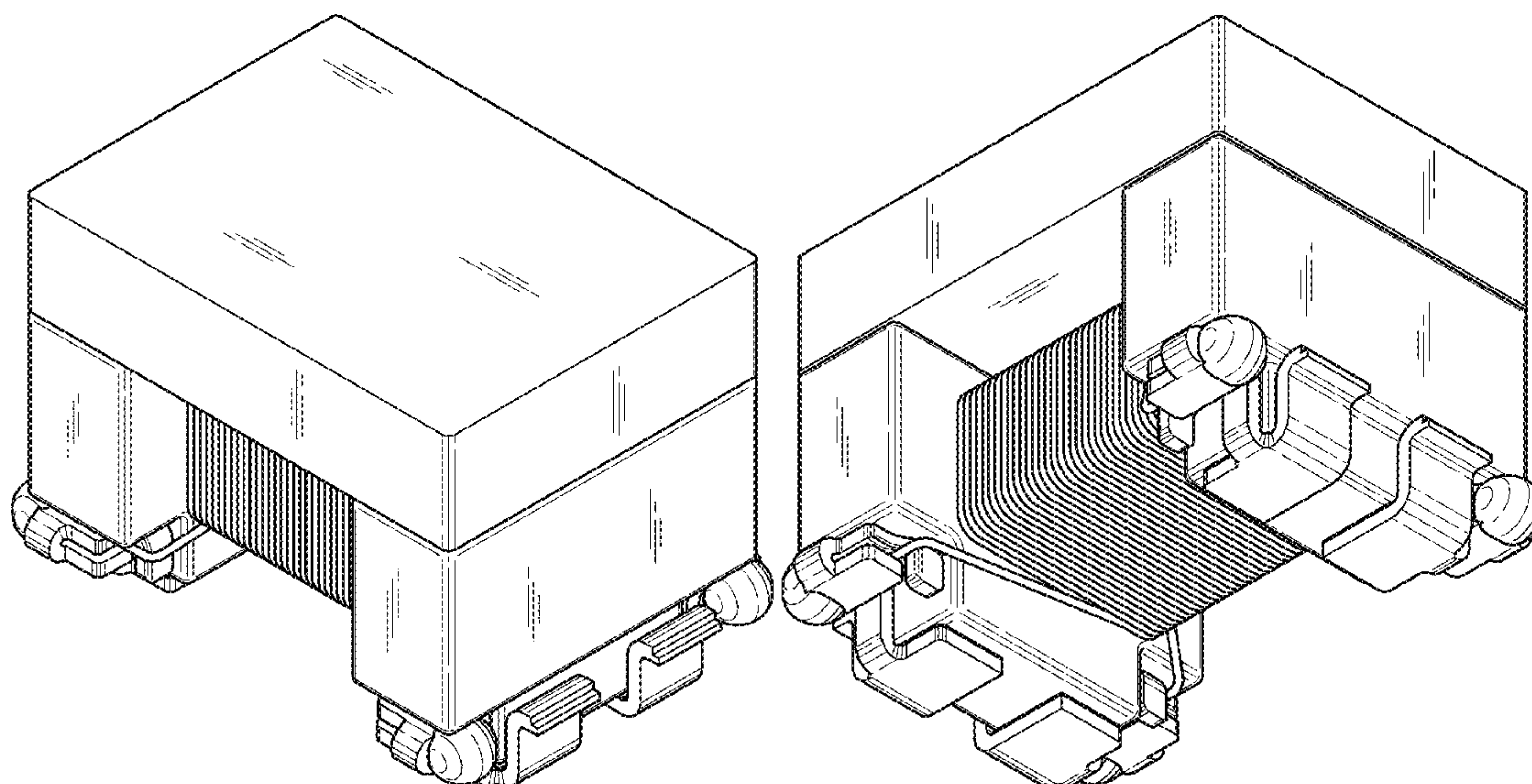
(57) **CLAIM**

The ornamental design for a coil component, as shown and described.

**DESCRIPTION**

FIG. 1 is a front elevation view of a coil component, showing my new design;  
FIG. 2 is a rear elevation view thereof;  
FIG. 3 is a right side elevation view thereof;  
FIG. 4 is a left side elevation view thereof;  
FIG. 5 is a top plan view thereof;  
FIG. 6 is a bottom plan view thereof;  
FIG. 7 is a top, front, left side perspective view thereof; and,  
FIG. 8 bottom, front, left side perspective view thereof.

**1 Claim, 8 Drawing Sheets**



(56)

**References Cited**

U.S. PATENT DOCUMENTS

2018/0182534 A1\* 6/2018 Horie ..... H01F 27/2828  
2020/0066435 A1\* 2/2020 Igarashi ..... H01F 27/24

FOREIGN PATENT DOCUMENTS

JP 2017-216260 A 12/2017  
JP 1649261 S 1/2020  
JP 1649741 S 1/2020

OTHER PUBLICATIONS

“Common Mode Choke Coil-Murata Manufacturing”. Found online Nov. 3, 2020 at corporate.murata.com. Reference dated Jan. 5, 2018. Retrieved from <https://tineye.com/search/4d2a07371a1d41a3ef423eaae06517555bc5ef6d?sort=score&order=desc&page=1>. (Year: 2018).\*

“ALT Series Pulse Transformer”. Found online Nov. 2, 2020 at doeeet.com. Reference dated Feb. 14, 2018. Retrieved from <https://tineye.com/search/a764798c3679fa6ee6b3946dfac54b5b5d0db3ff?sort=score&order=desc&page=1>. (Year: 2018).\*

Japanese Office Action for Application No. 2019-001226 dated Oct. 29, 2019 with English translation (4 pages).

Japanese Office Action for Application No. 2019-001227 dated Oct. 29, 2019 with English translation (4 pages).

Publication material No. HJ2906011000; [http://www.tdk.co.jp/news\\_center/press/files/img/20160620\\_03.jpg](http://www.tdk.co.jp/news_center/press/files/img/20160620_03.jpg); Feb. 9, 2018 (4 pages).

Japanese Office Action for Application No. 2019-001225 dated Jan. 14, 2020 (3 pages).

Japanese Office Action for Application No. 2019-001228 dated Jan. 14, 2020 (3 pages).

Japanese Office Action for Application No. 2019-001225 dated Sep. 24, 2019 with English translation (4 pages).

Japanese Office Action for Application No. 2019-001228 dated Sep. 24, 2019 with English translation (4 pages).

\* cited by examiner

FIG. 1

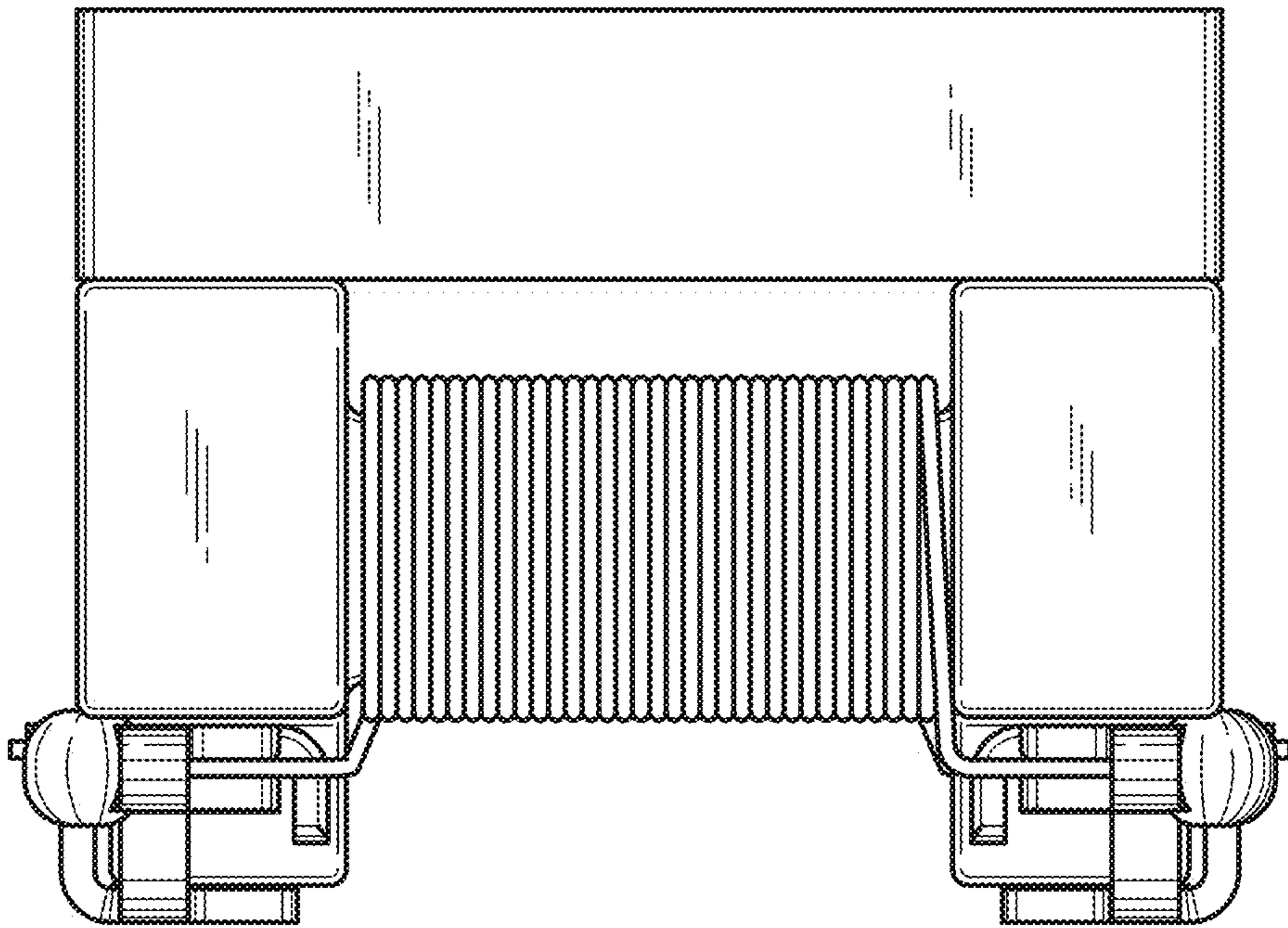




FIG.2

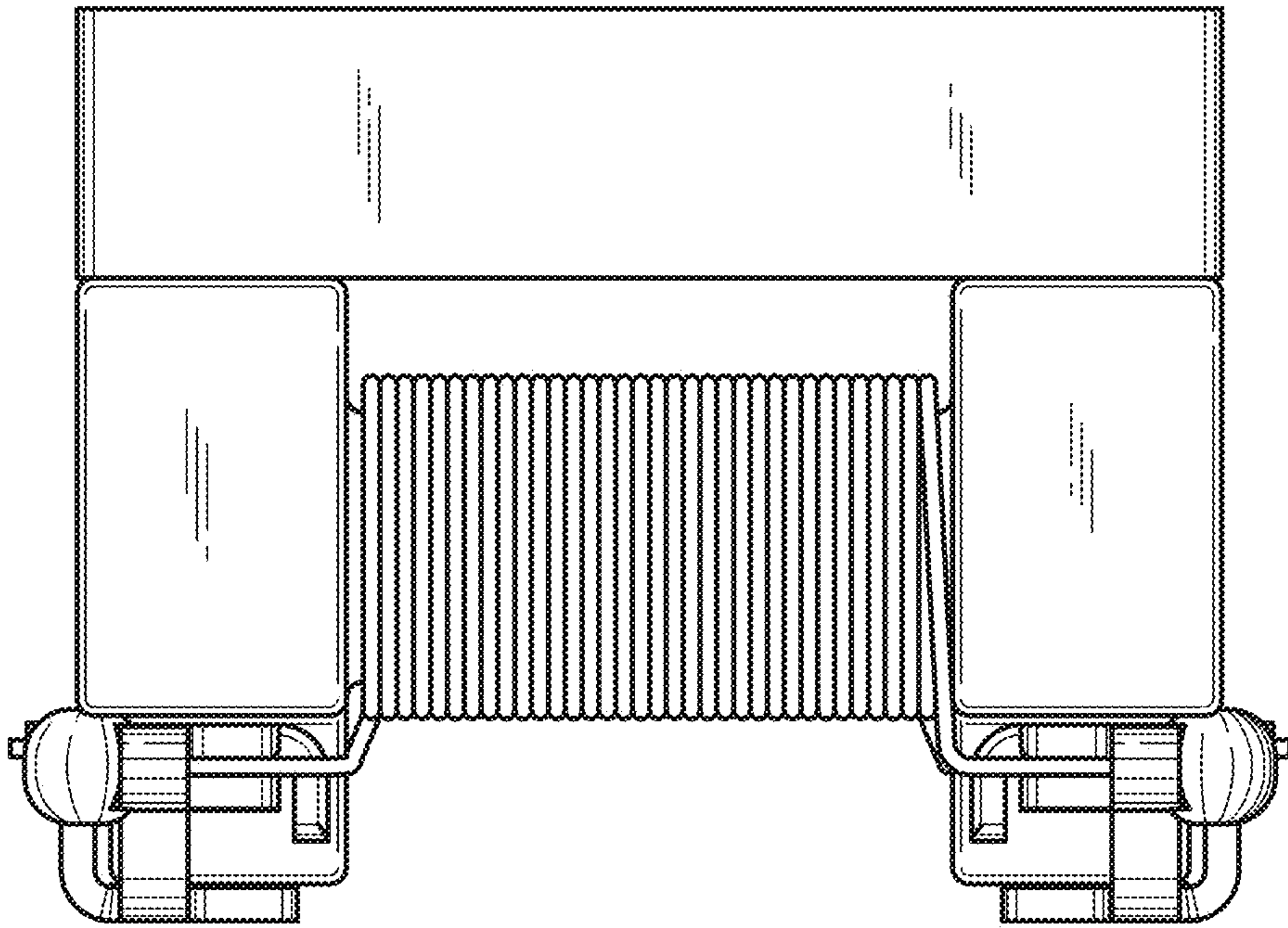


FIG.3

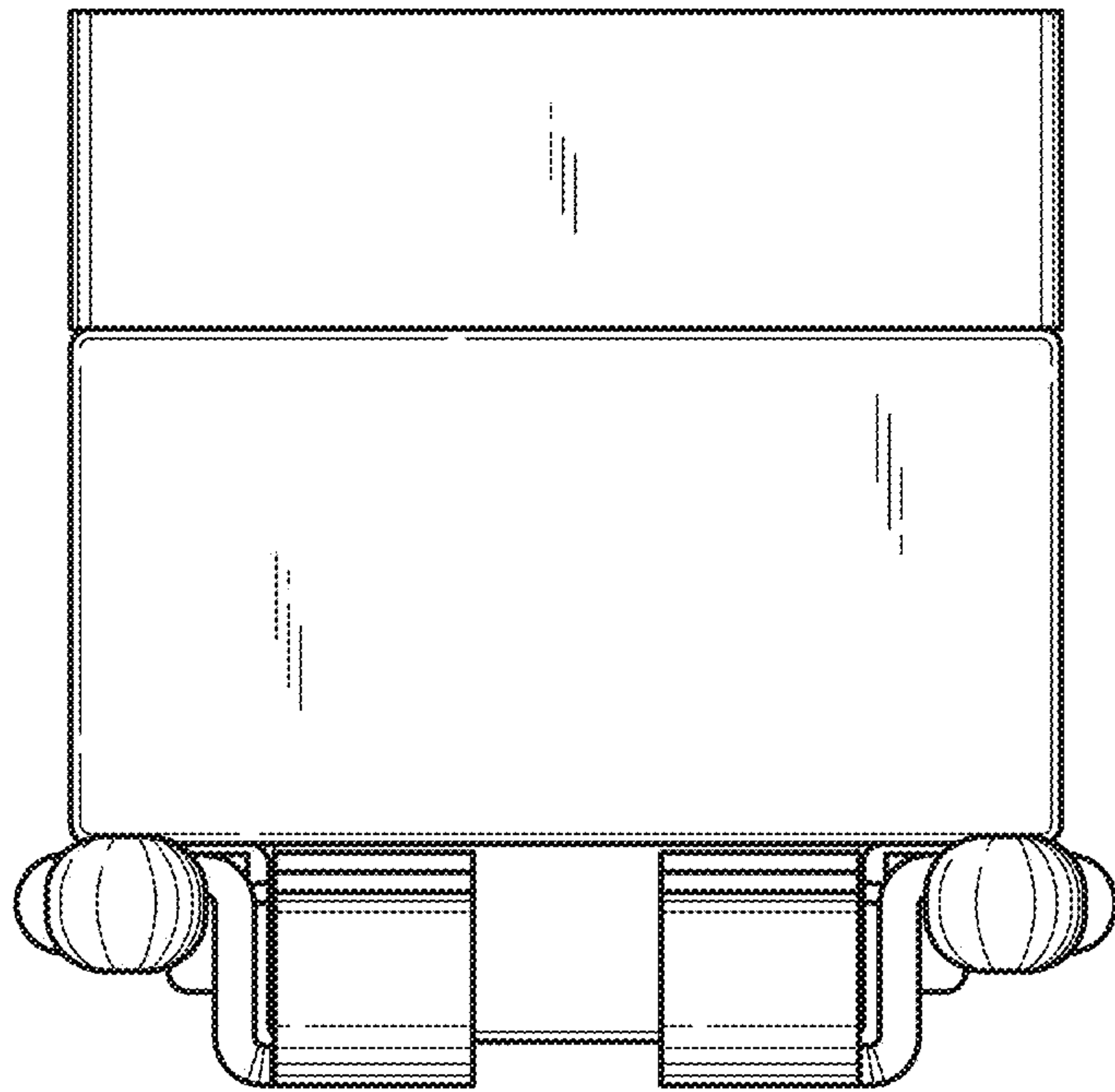


FIG.4

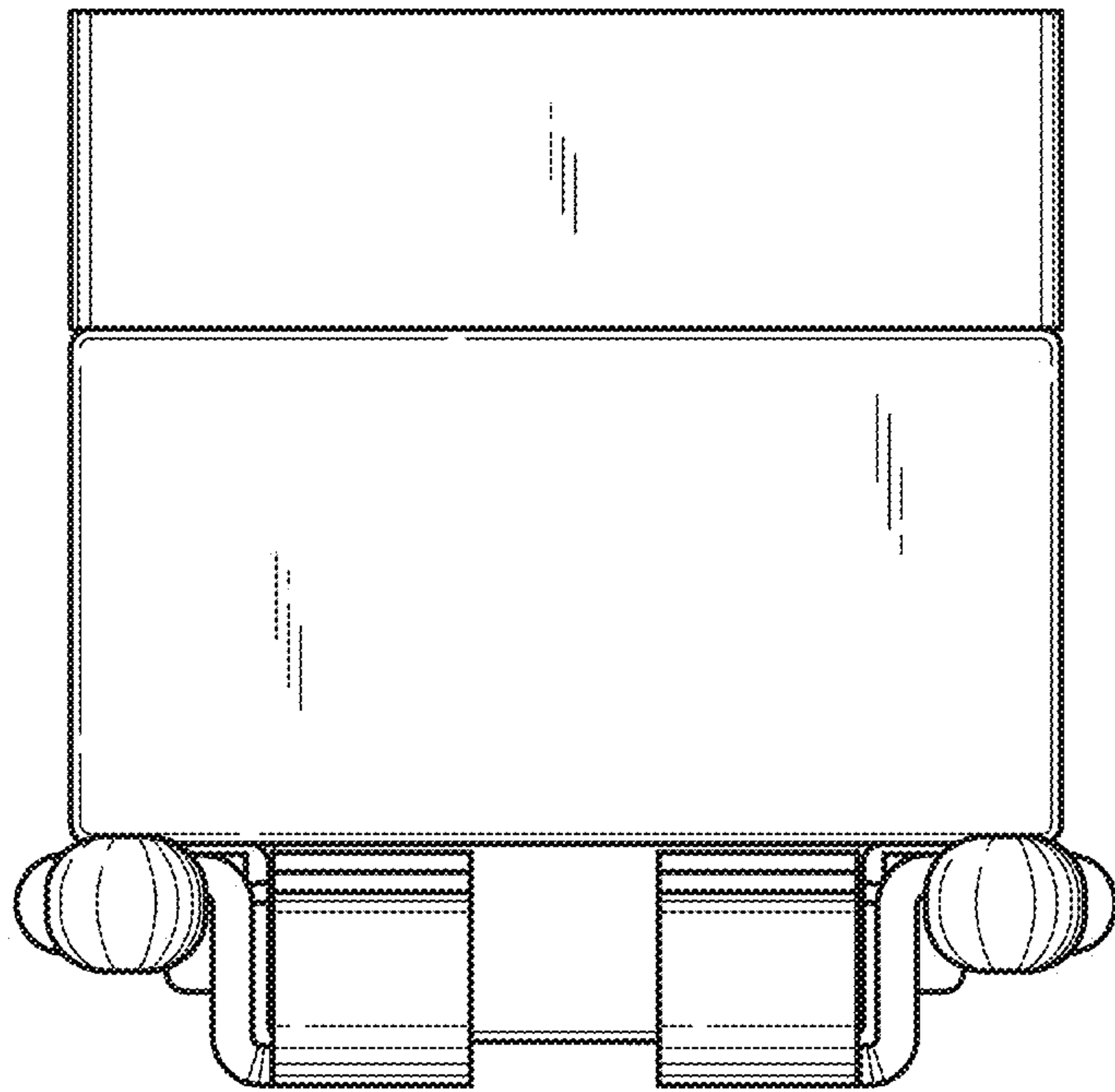


FIG.5

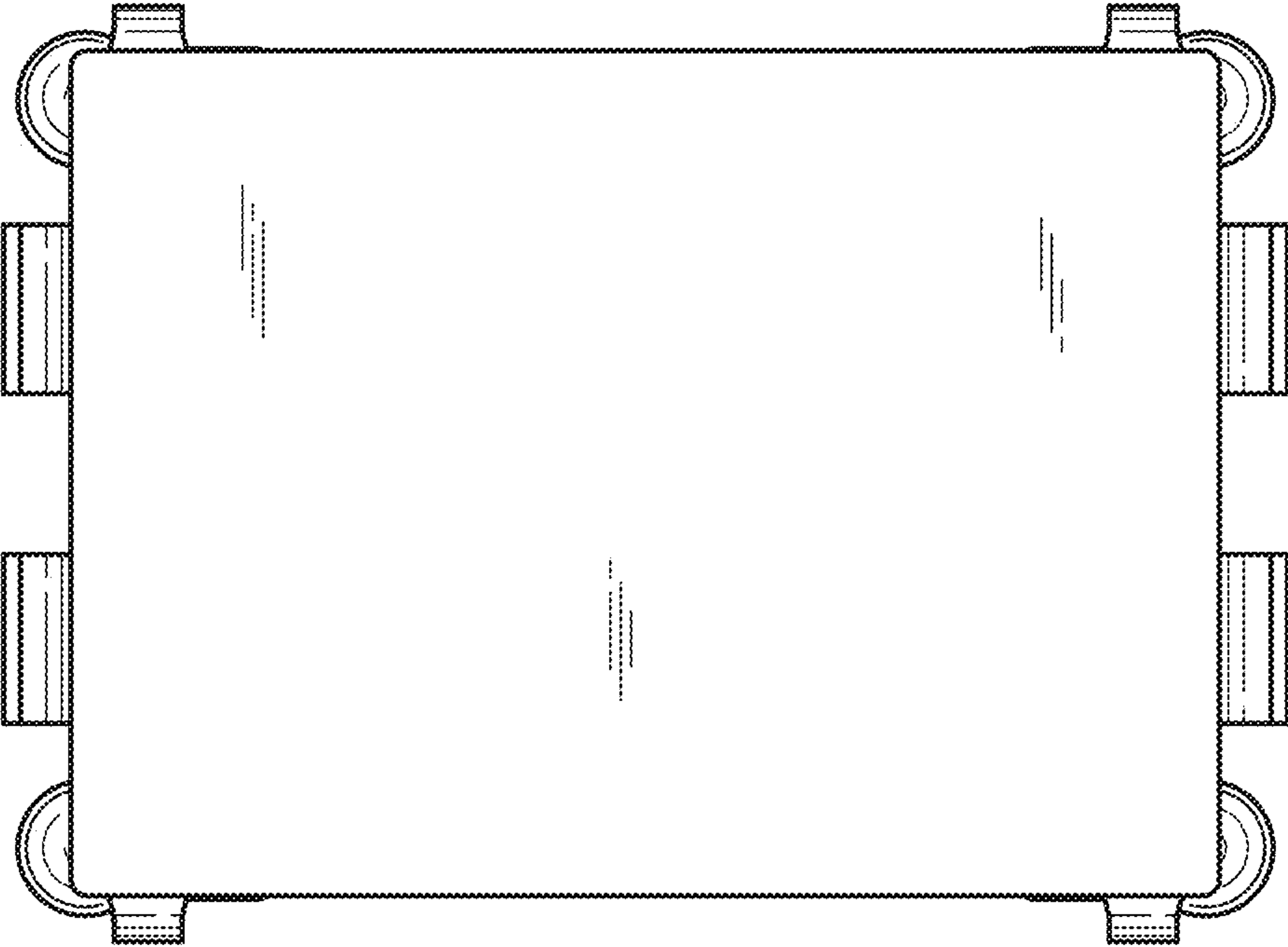


FIG.6

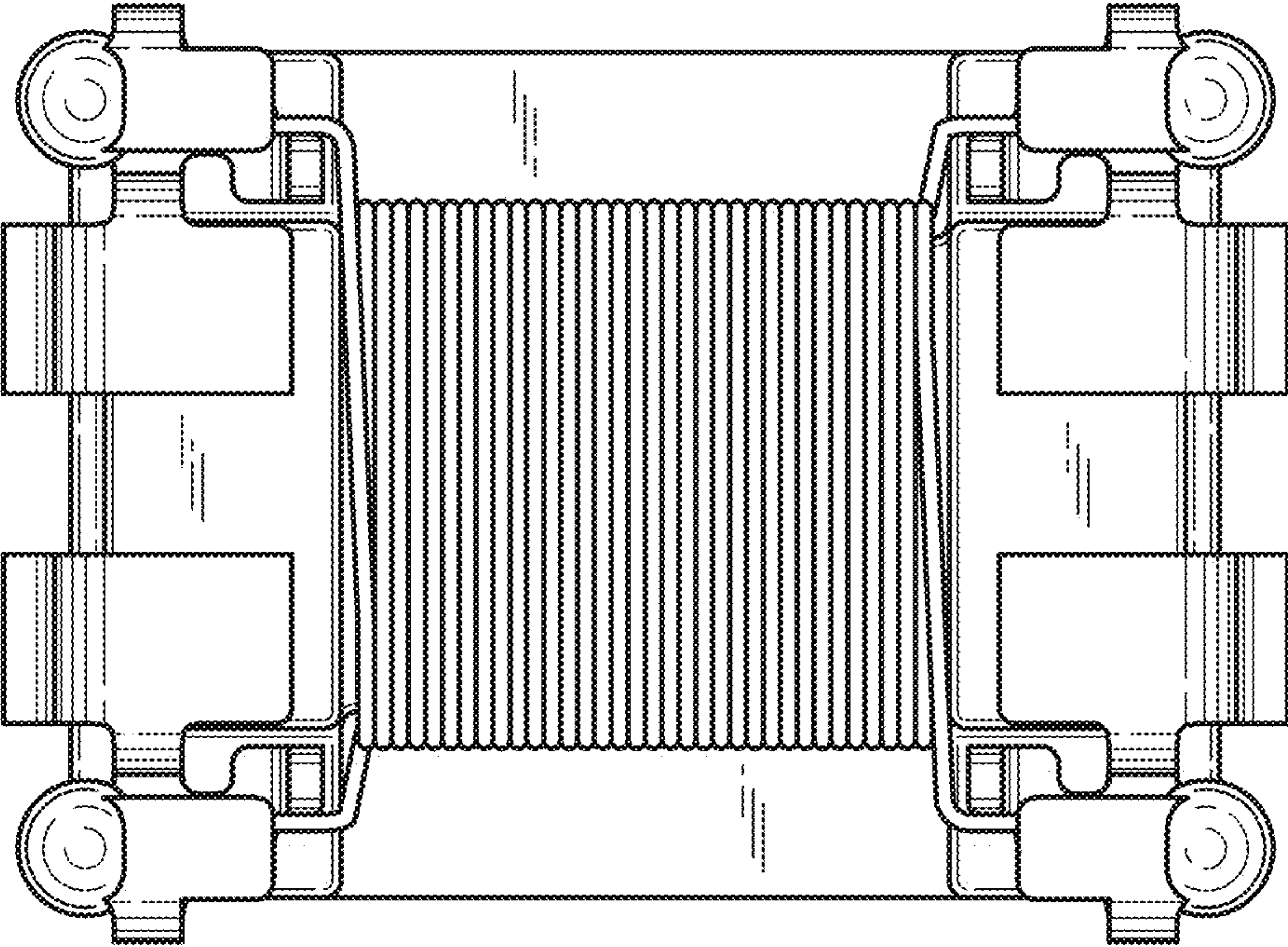




FIG.7

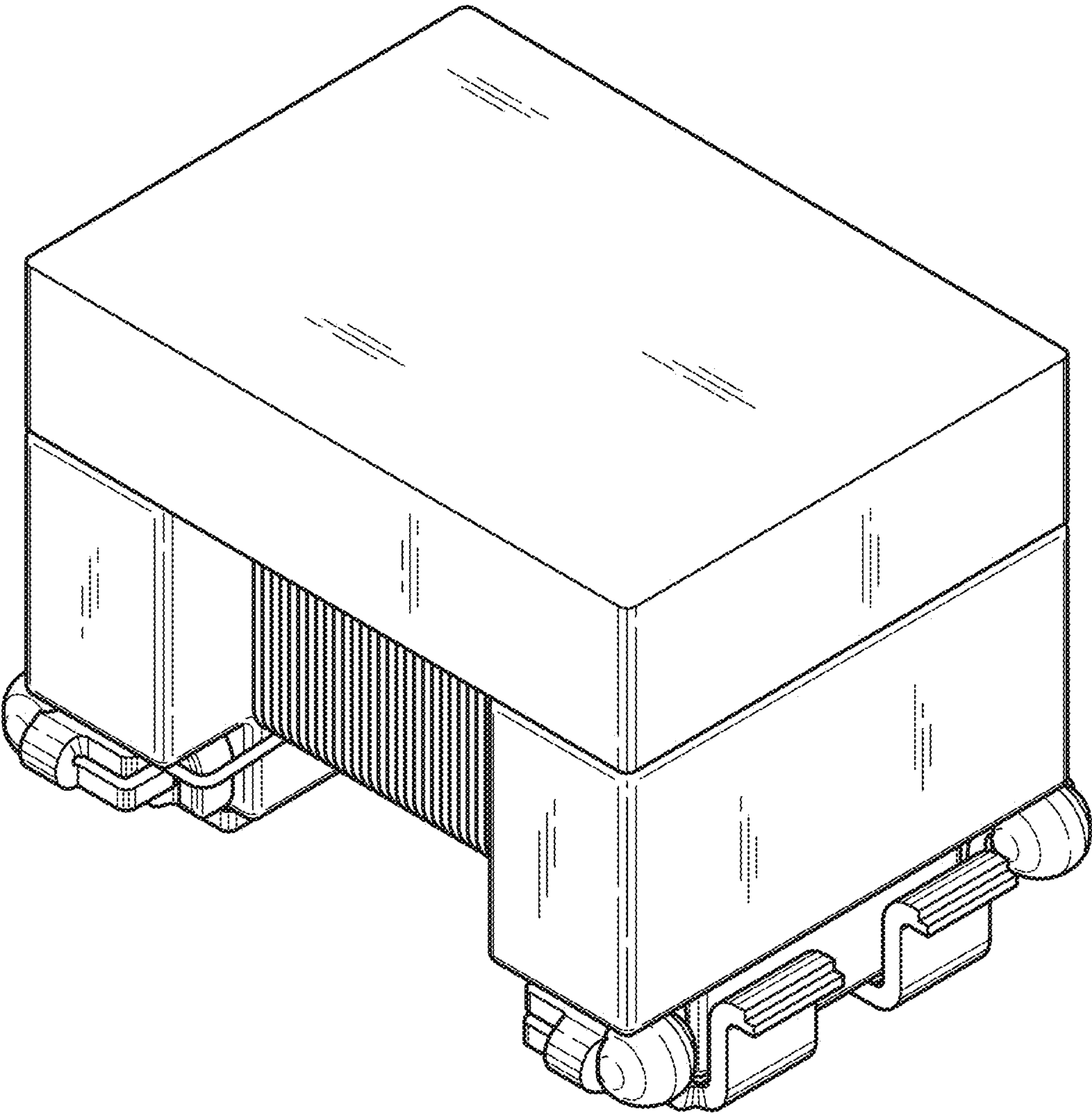


FIG.8

