



US00D920910S

(12) **United States Design Patent**  
**Wersland et al.**

(10) **Patent No.:** **US D920,910 S**

(45) **Date of Patent:** **\*\* Jun. 1, 2021**

(54) **MOTOR**

(71) Applicant: **Theragun, Inc.**, Beverly Hills, CA (US)

(72) Inventors: **Jason Wersland**, Manhattan Beach, CA (US); **Benjamin Nazarian**, Beverly Hills, CA (US); **Jaime Sanchez Solana**, Los Angeles, CA (US); **Eduardo Merino**, Beverly Hills, CA (US)

(73) Assignee: **THERAGUN, INC.**, Beverly Hills, CA (US)

(\*\*) Term: **15 Years**

(21) Appl. No.: **29/719,057**

(22) Filed: **Dec. 31, 2019**

(51) **LOC (13) Cl.** ..... **13-01**

(52) **U.S. Cl.**  
USPC ..... **D13/112**

(58) **Field of Classification Search**  
USPC ..... D13/101, 112, 113, 114, 117, 118, 120,  
D13/122, 199; D15/1, 3, 5, 28, 133, 199;  
(Continued)

(56) **References Cited**

U.S. PATENT DOCUMENTS

D297,426 S \* 8/1988 Mabuchi ..... D13/112  
D365,084 S \* 12/1995 Suski ..... D13/154  
(Continued)

*Primary Examiner* — Derrick E Holland

(74) *Attorney, Agent, or Firm* — Jeffer Mangels; Butler & Mitchell LLP; Brennan C. Swain, Esq.

(57) **CLAIM**

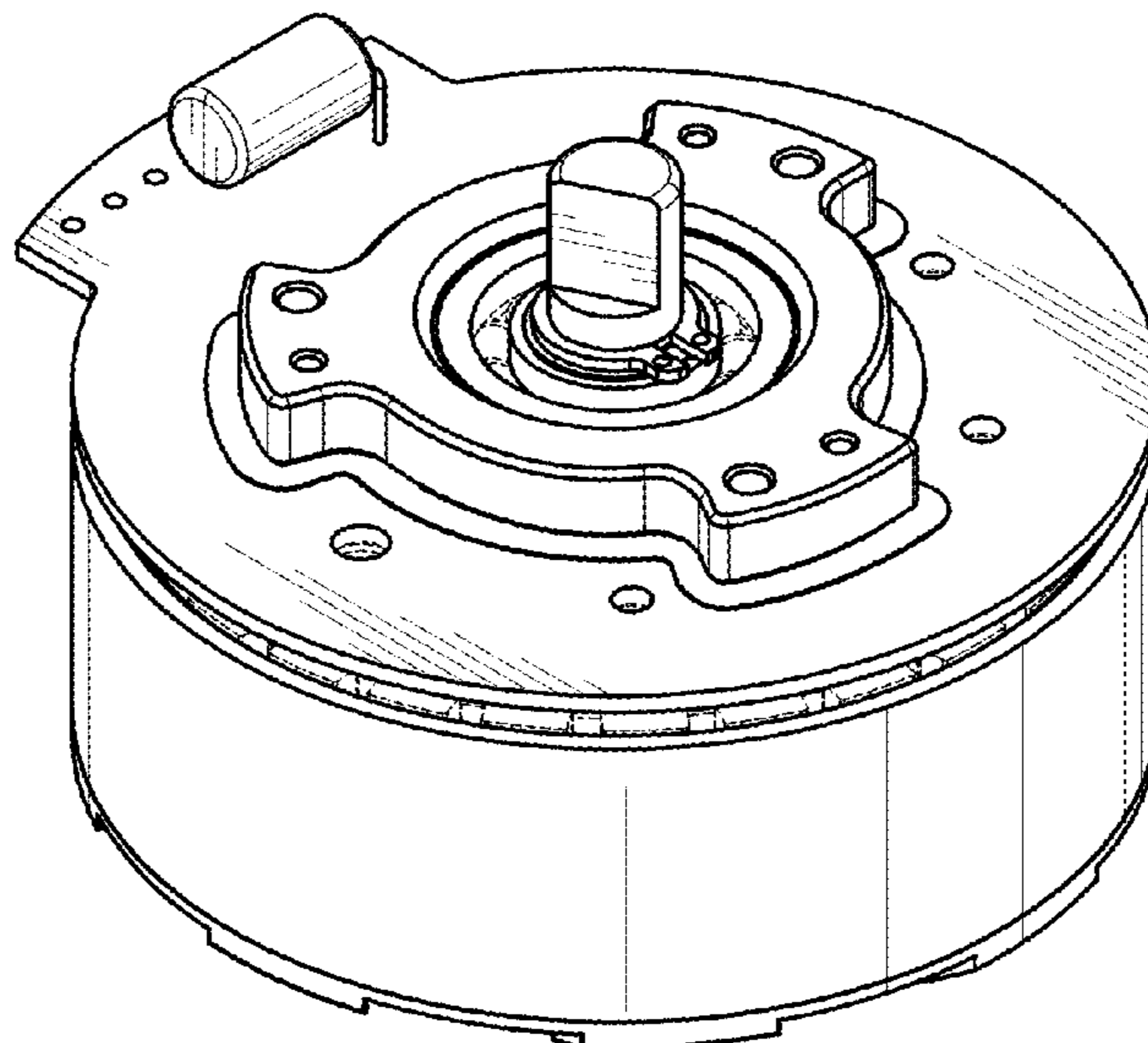
The ornamental design for a motor, as shown and described.

**DESCRIPTION**

FIG. 1 is a top perspective view of a first embodiment of a motor showing the new design;

FIG. 2 is a bottom perspective view thereof;  
FIG. 3 is a front elevational view thereof;  
FIG. 4 is a rear elevational view thereof;  
FIG. 5 is a left side elevational view thereof;  
FIG. 6 is a right side elevational view thereof;  
FIG. 7 is a top plan view thereof;  
FIG. 8 is a bottom plan view thereof;  
FIG. 9 is a top perspective view of a second embodiment of a motor showing the new design;  
FIG. 10 is a bottom perspective view thereof;  
FIG. 11 is a front elevational view thereof;  
FIG. 12 is a rear elevational view thereof;  
FIG. 13 is a left side elevational view thereof;  
FIG. 14 is a right side elevational view thereof;  
FIG. 15 is a top plan view thereof;  
FIG. 16 is a bottom plan view thereof;  
FIG. 17 is a top perspective view of a third embodiment of a motor showing the new design;  
FIG. 18 is a bottom perspective view thereof;  
FIG. 19 is a front elevational view thereof;  
FIG. 20 is a rear elevational view thereof;  
FIG. 21 is a left side elevational view thereof;  
FIG. 22 is a right side elevational view thereof;  
FIG. 23 is a top plan view thereof; and  
FIG. 24 is a bottom plan view thereof;  
FIG. 25 is a top perspective view of a fourth embodiment of a motor showing the new design;  
FIG. 26 is a bottom perspective view thereof;  
FIG. 27 is a front elevational view thereof;  
FIG. 28 is a rear elevational view thereof;  
FIG. 29 is a left side elevational view thereof;  
FIG. 30 is a right side elevational view thereof;  
FIG. 31 is a top plan view thereof; and  
FIG. 32 is a bottom plan view thereof.  
The broken lines in the drawings are for the purpose of illustrating portions of the motor and fan that form no part of the claimed design.

**1 Claim, 24 Drawing Sheets**



(58) **Field of Classification Search**

USPC ..... D23/370, 377; D8/364, 382, 383, 387,  
D8/393, 398  
CPC . F02B 63/04; H02K 3/24; H02K 3/47; H02K  
1/12; H02K 5/02; H02K 5/04; H02K  
5/08; H02K 5/18; H02K 5/20; H02K  
5/26; H02K 11/0094; H02K 9/06; H02K  
9/14

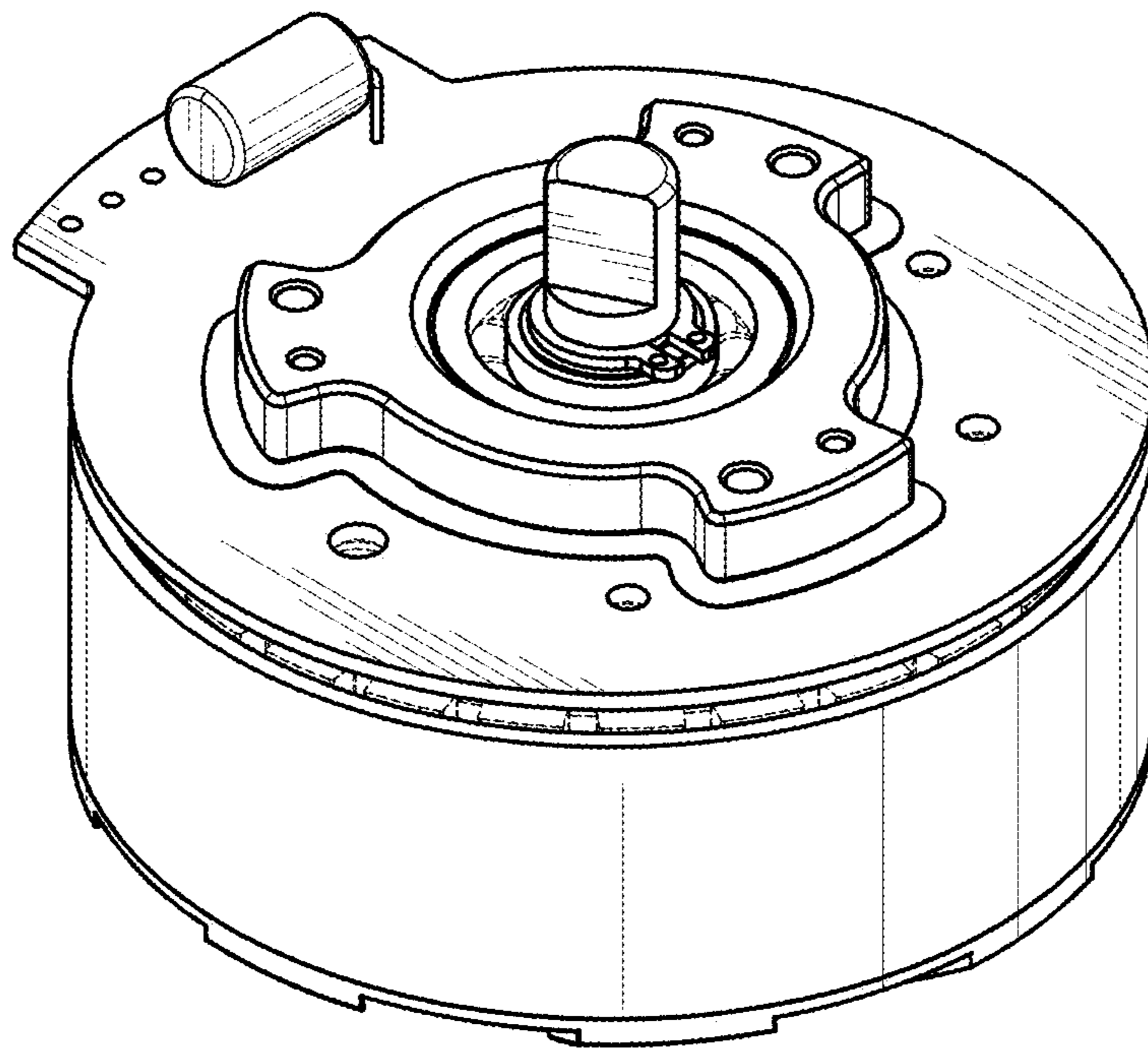
See application file for complete search history.

(56) **References Cited**

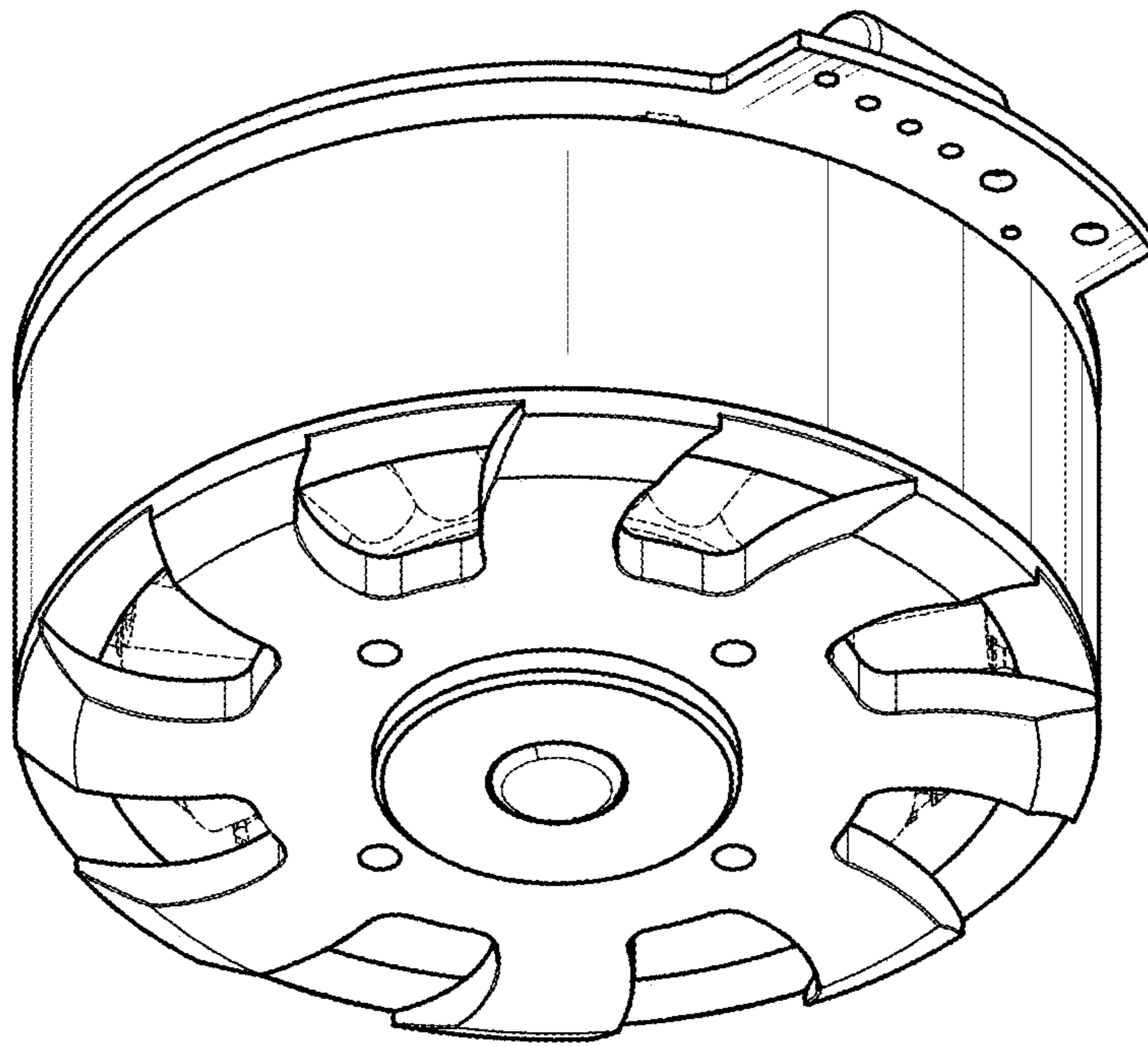
U.S. PATENT DOCUMENTS

D397,992 S \* 9/1998 Shimomura ..... D13/112  
D550,621 S \* 9/2007 Vuorio ..... D13/118  
D573,947 S \* 7/2008 Kishimoto ..... D13/119  
D579,869 S \* 11/2008 Lau ..... D13/112  
D741,260 S \* 10/2015 Yabuuchi ..... D13/112  
D753,591 S \* 4/2016 Noda ..... D13/112  
D790,467 S \* 6/2017 Marth ..... D13/112  
D792,911 S \* 7/2017 Kendall ..... D15/5  
D813,640 S \* 3/2018 Osanai ..... D8/310  
D842,246 S \* 3/2019 Gan ..... D13/112  
D853,445 S \* 7/2019 Kuratani ..... D15/1  
2005/0161577 A1\* 7/2005 French ..... H02K 5/00  
248/672  
2015/0249376 A1\* 9/2015 Hiwaki ..... H02K 5/08  
310/43  
2016/0294249 A1\* 10/2016 Keller ..... H02K 15/14

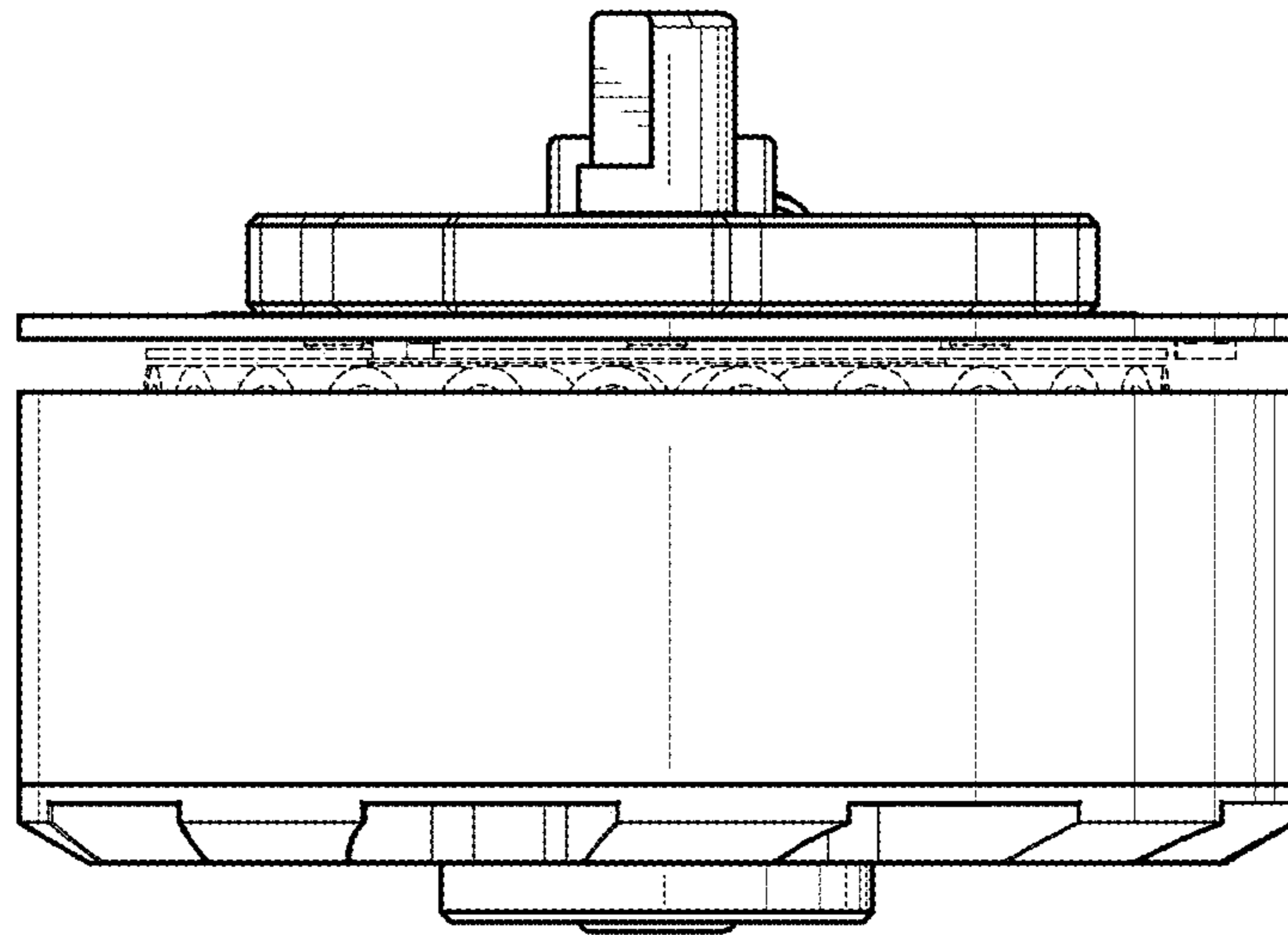
\* cited by examiner



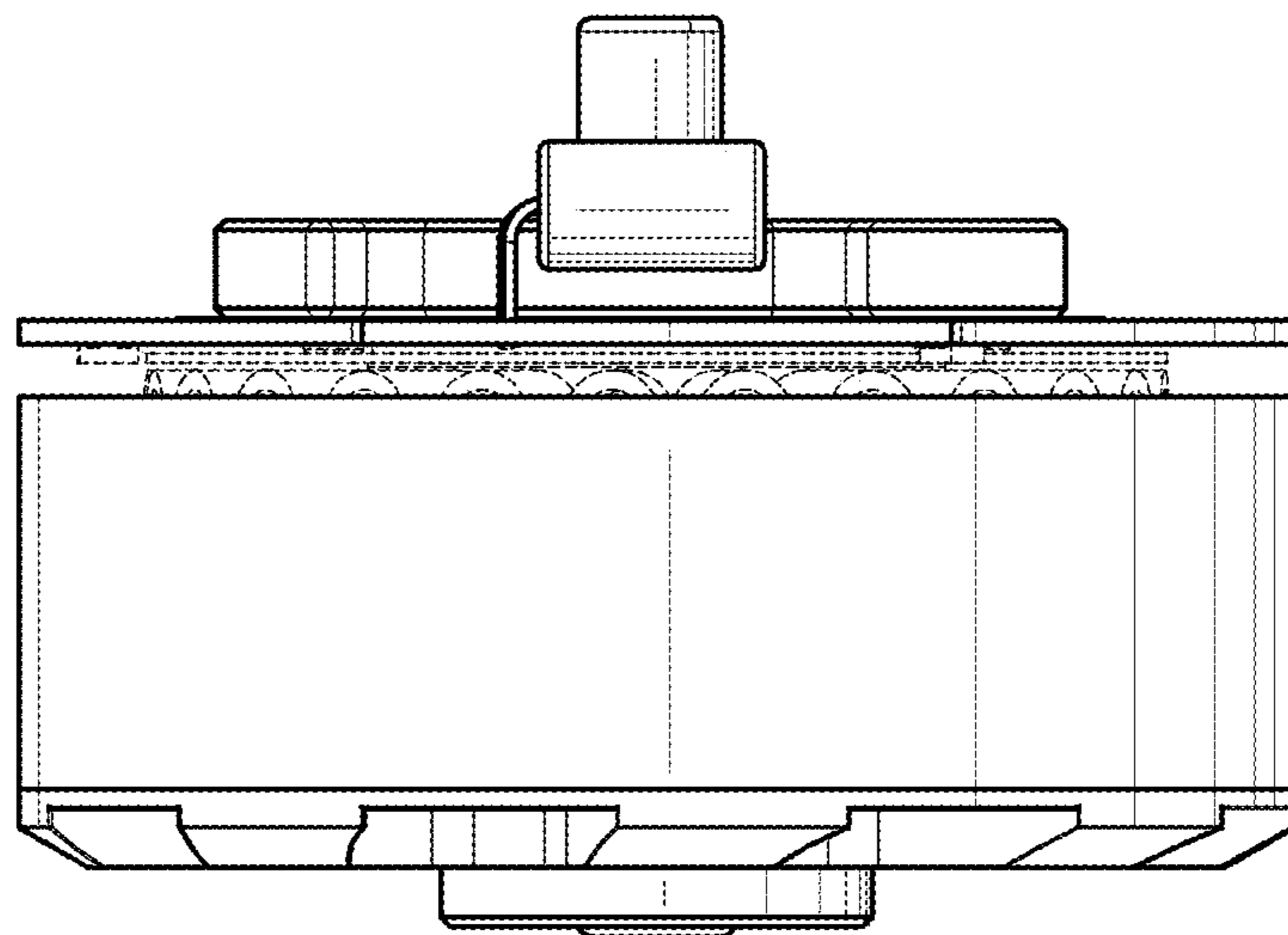
*FIG. 1*



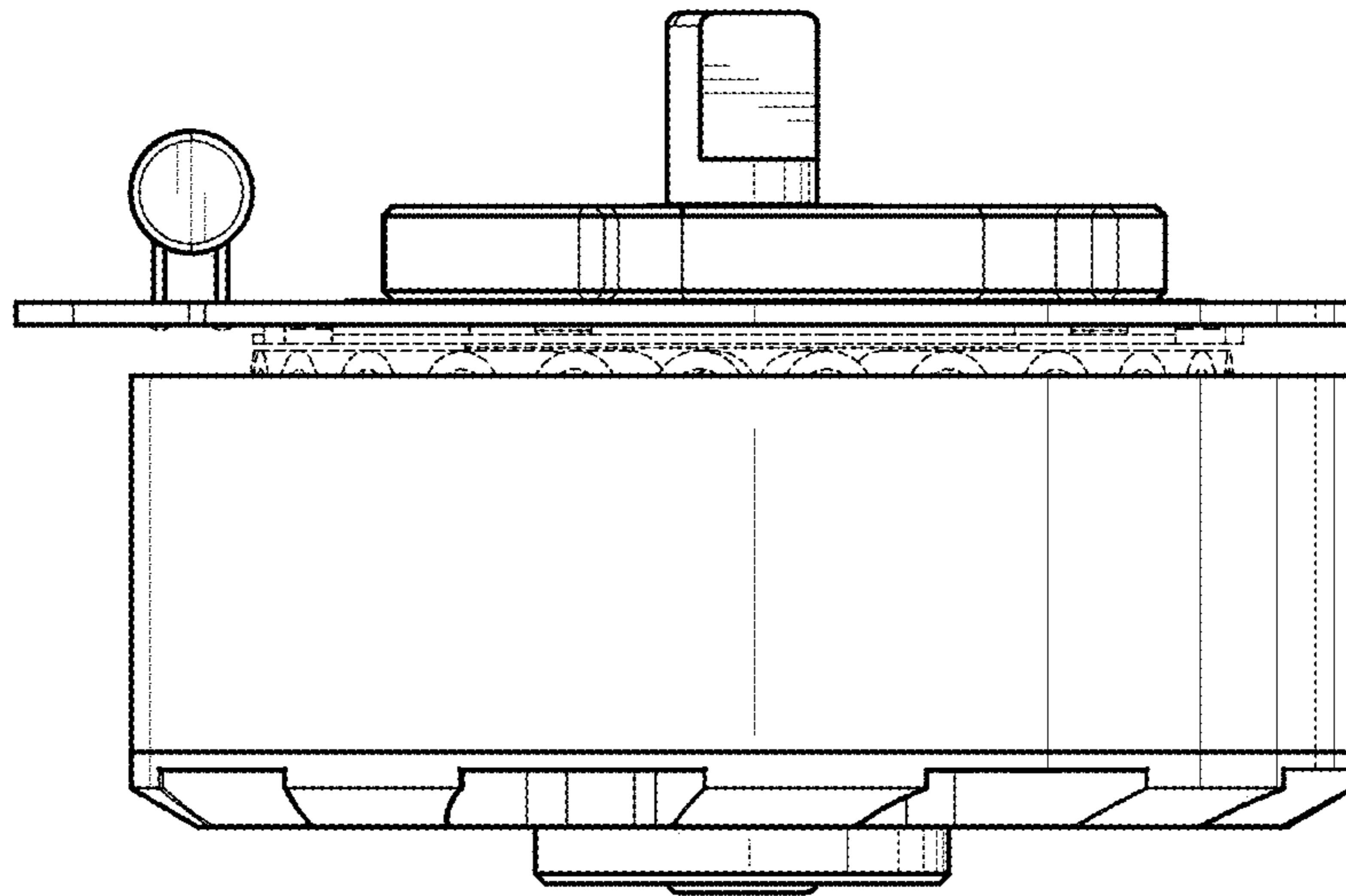
*FIG. 2*



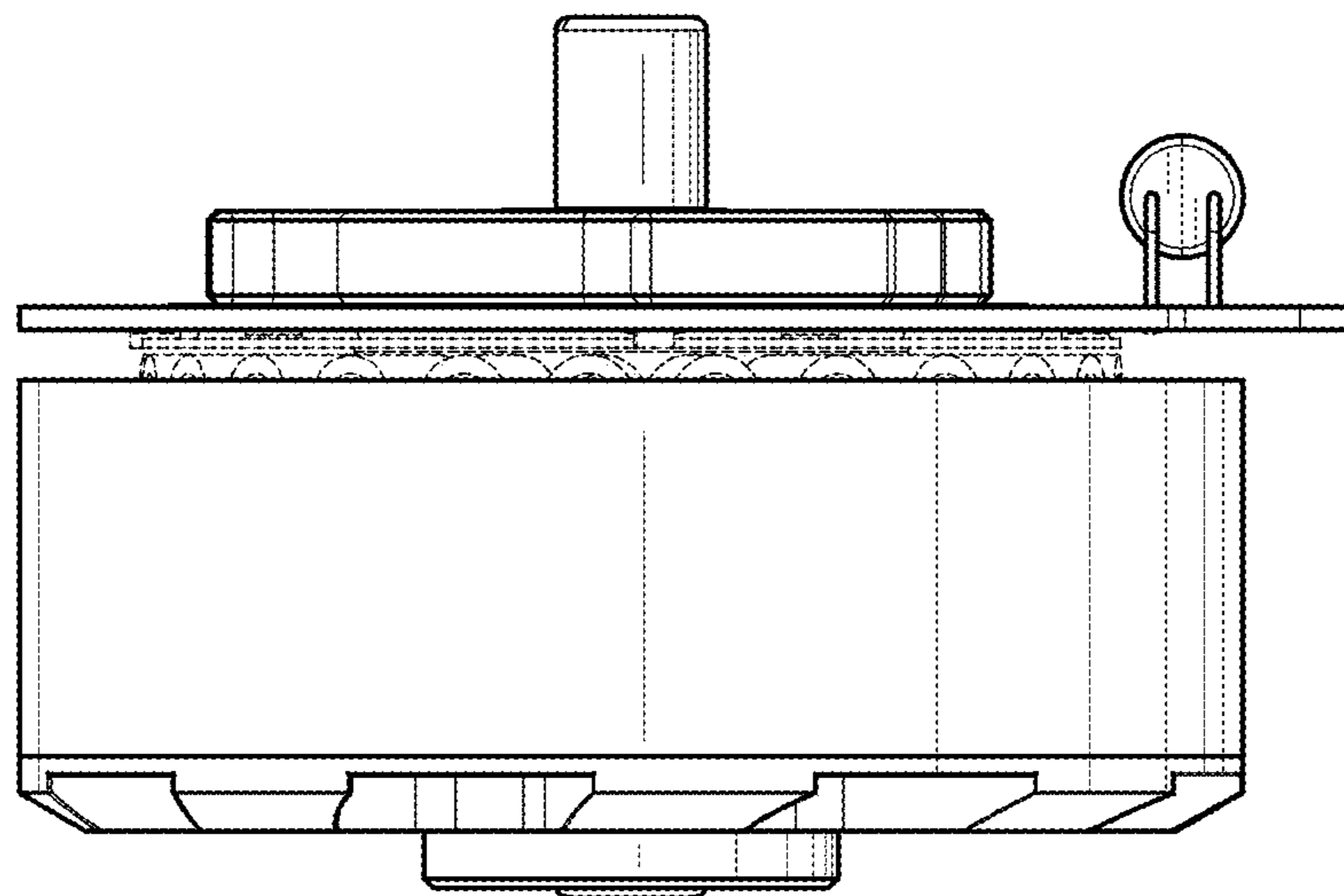
*FIG. 3*



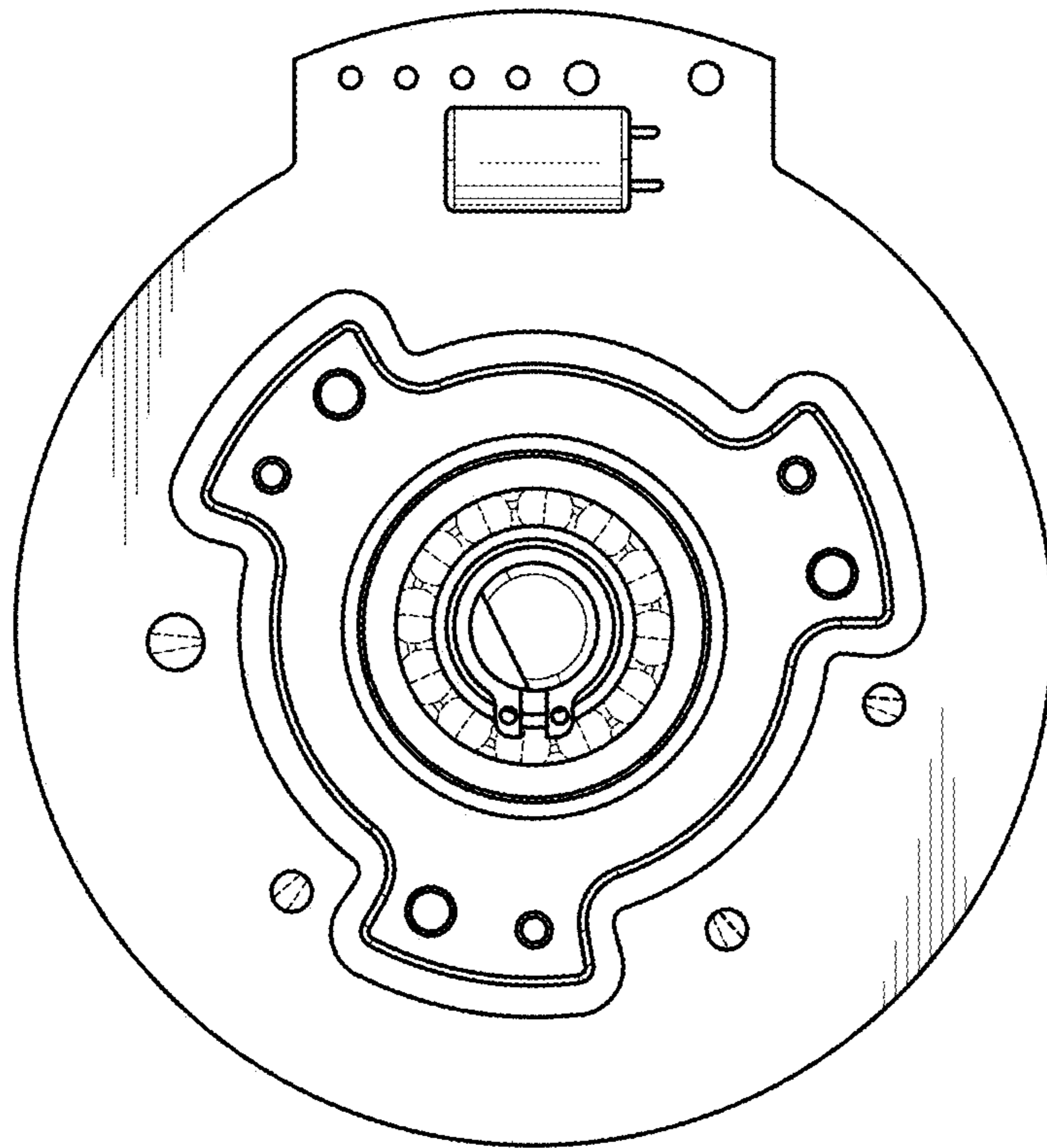
*FIG. 4*



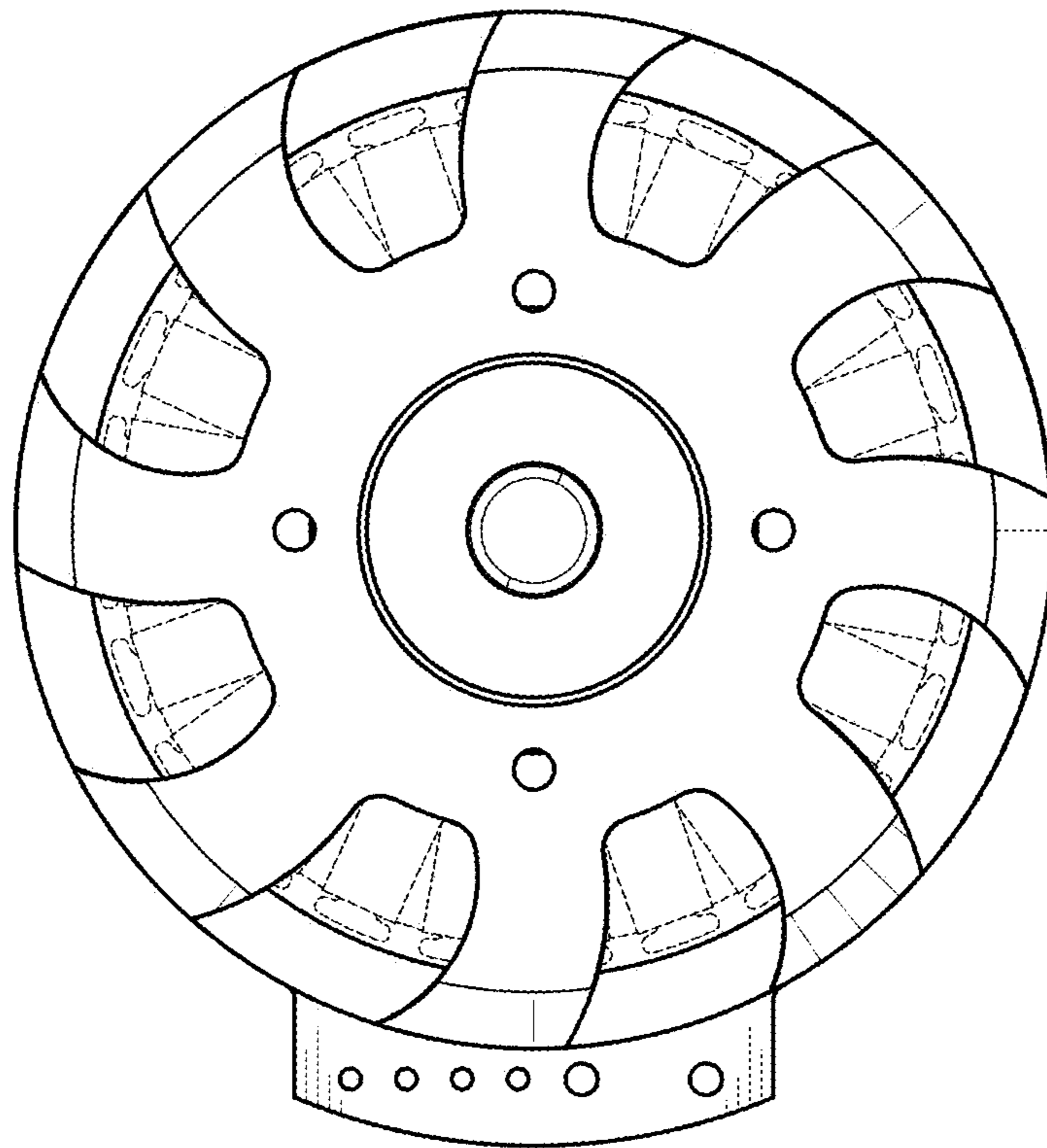
*FIG. 5*



*FIG. 6*

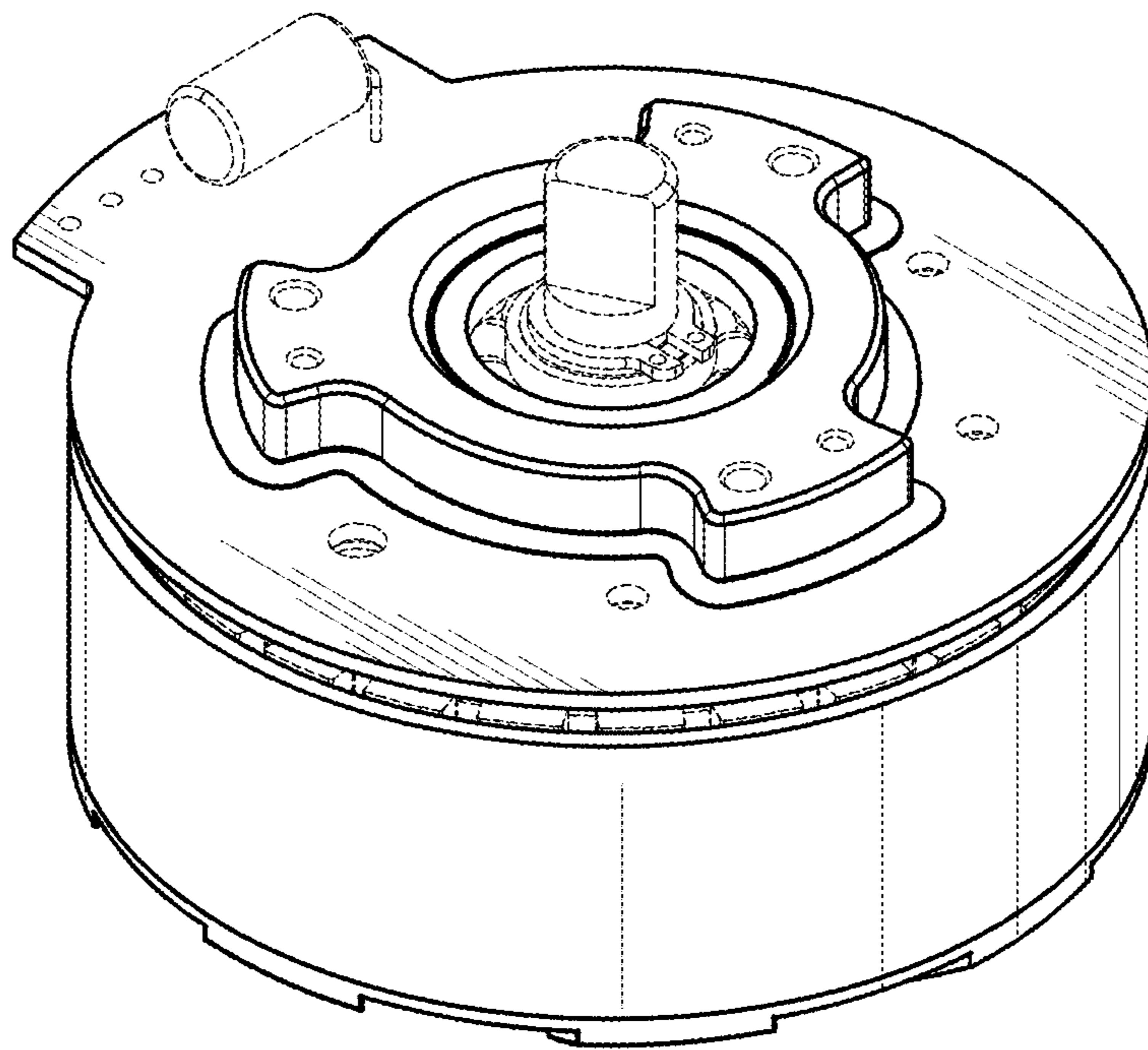


*FIG. 7*

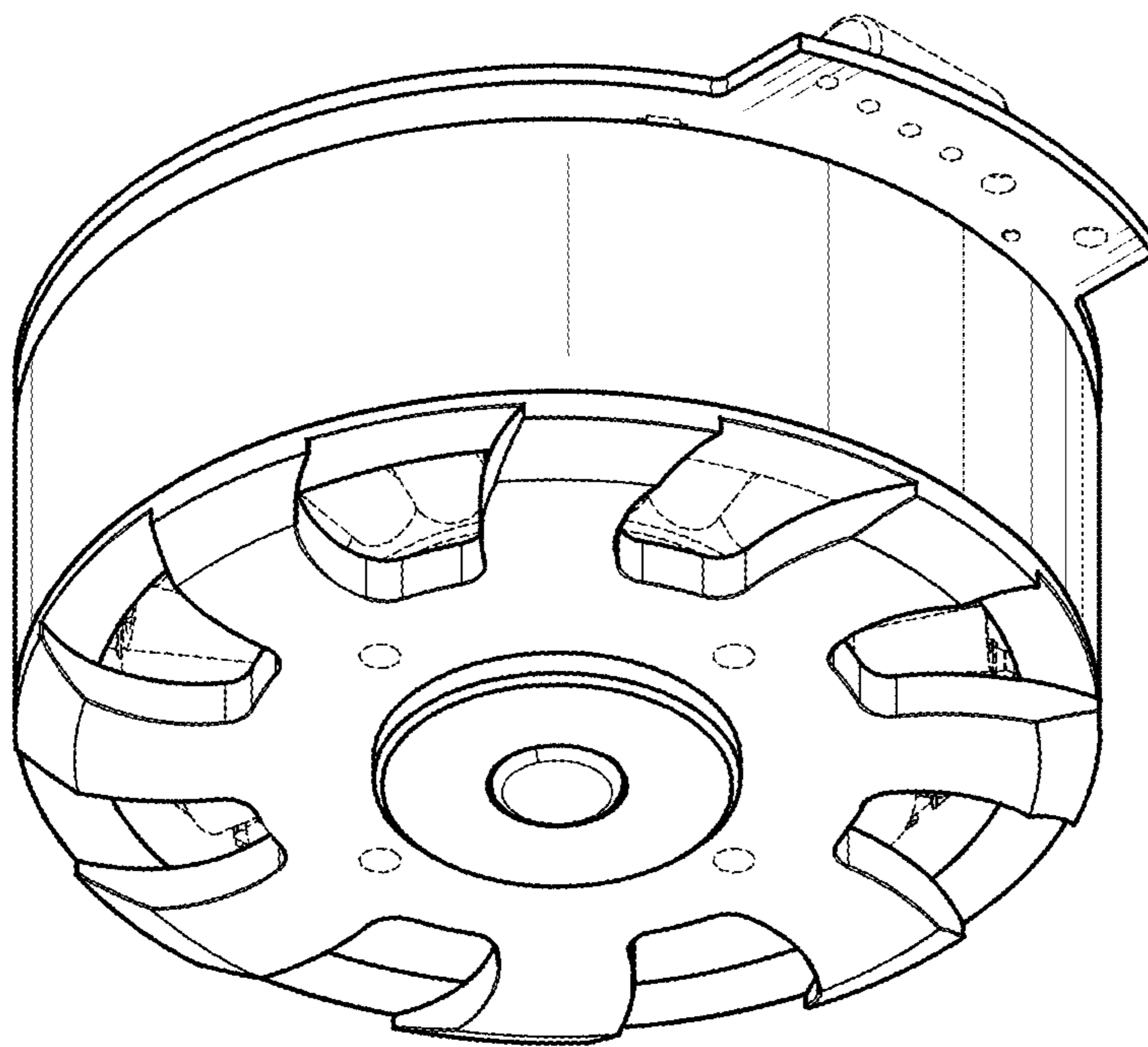


*FIG. 8*

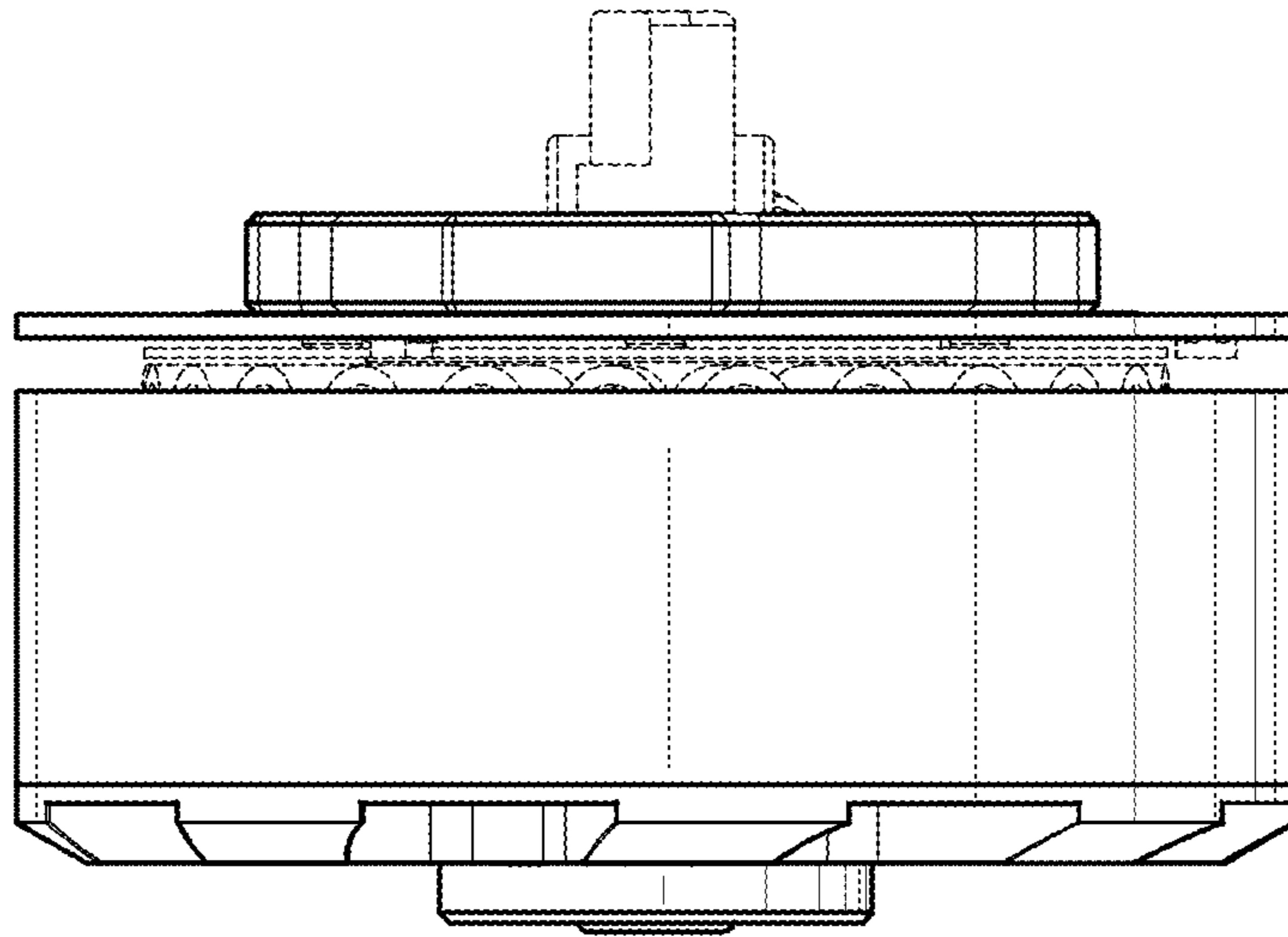




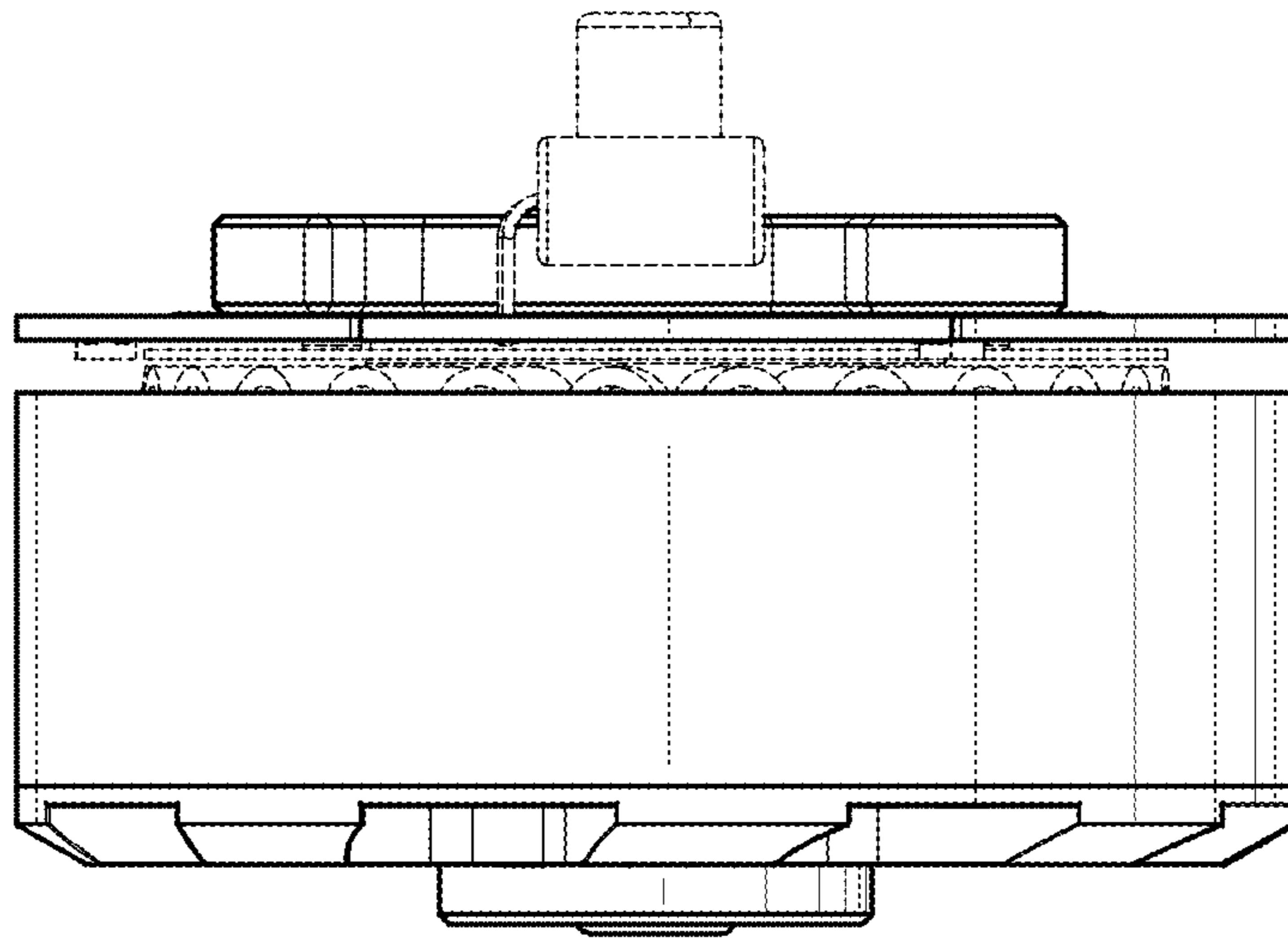
*FIG. 9*



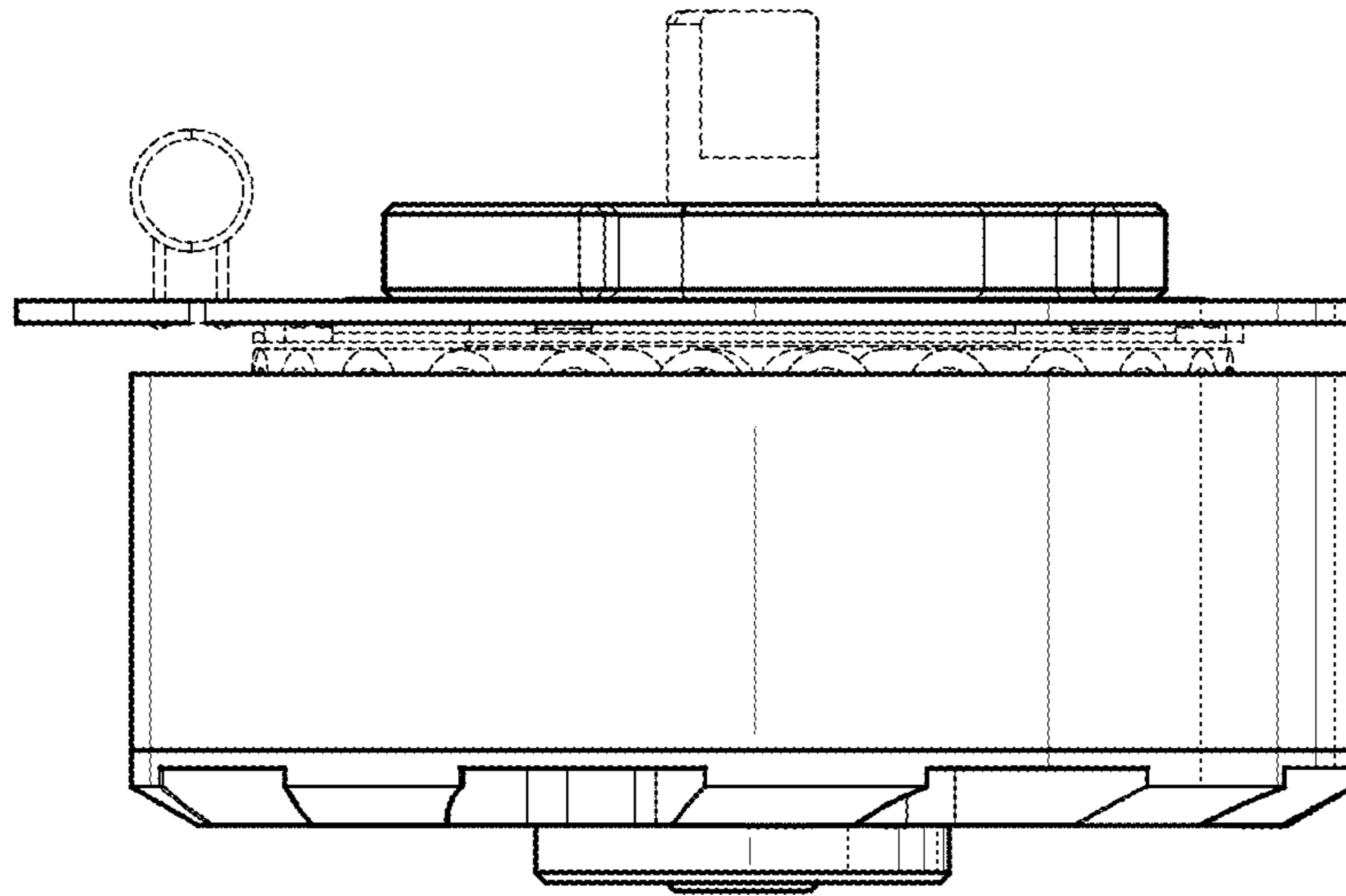
*FIG. 10*



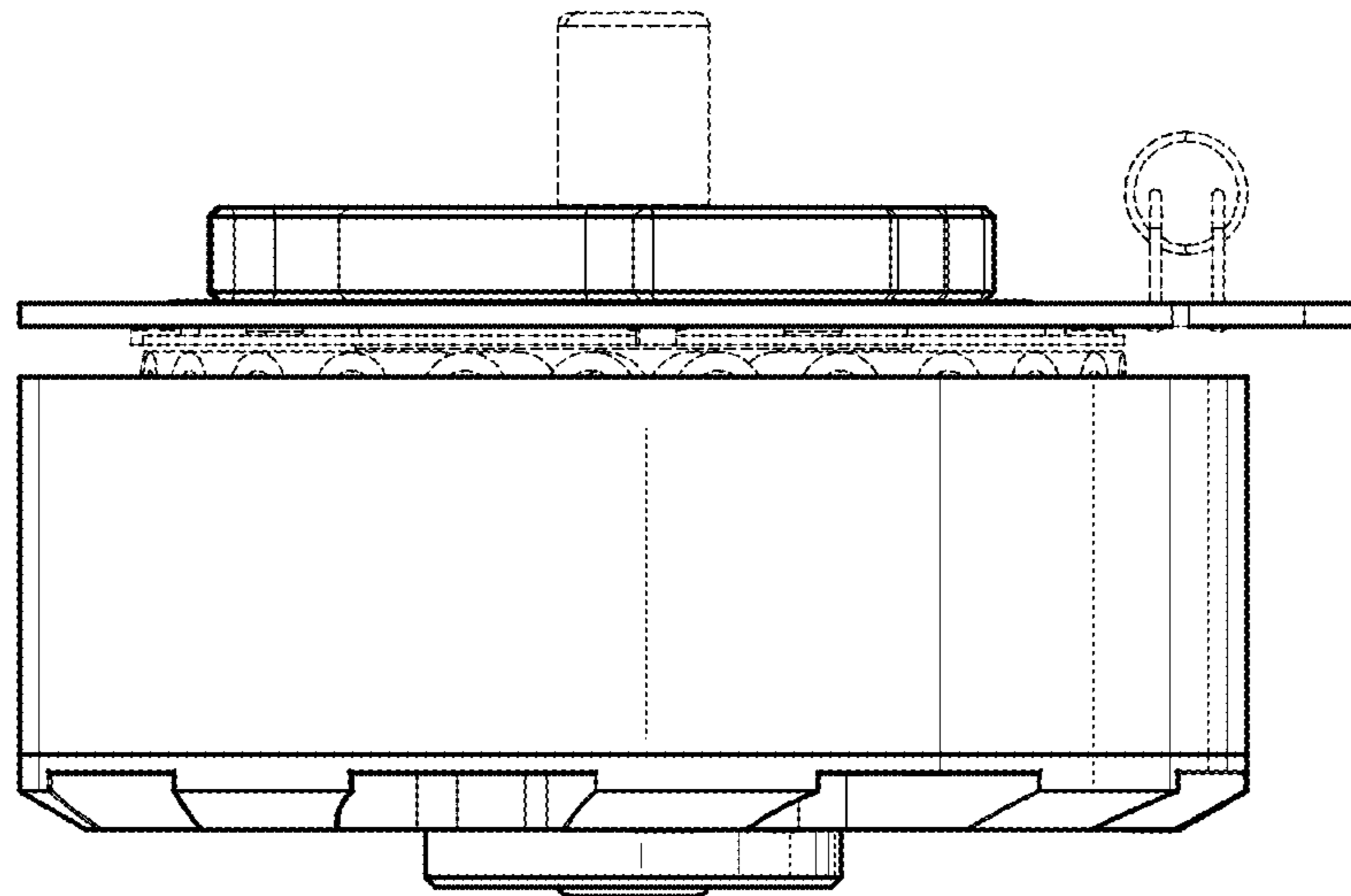
*FIG. 11*



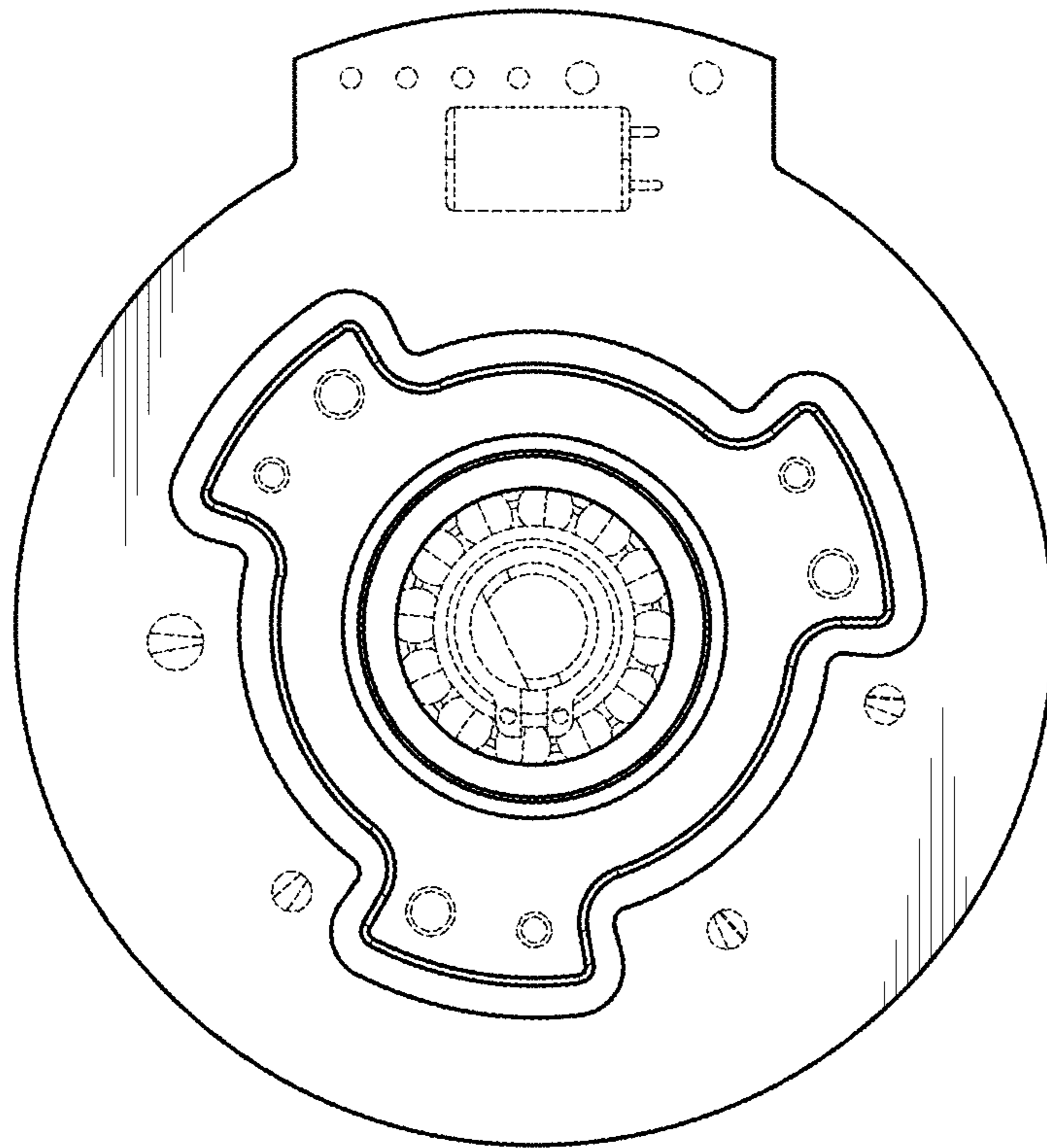
*FIG. 12*



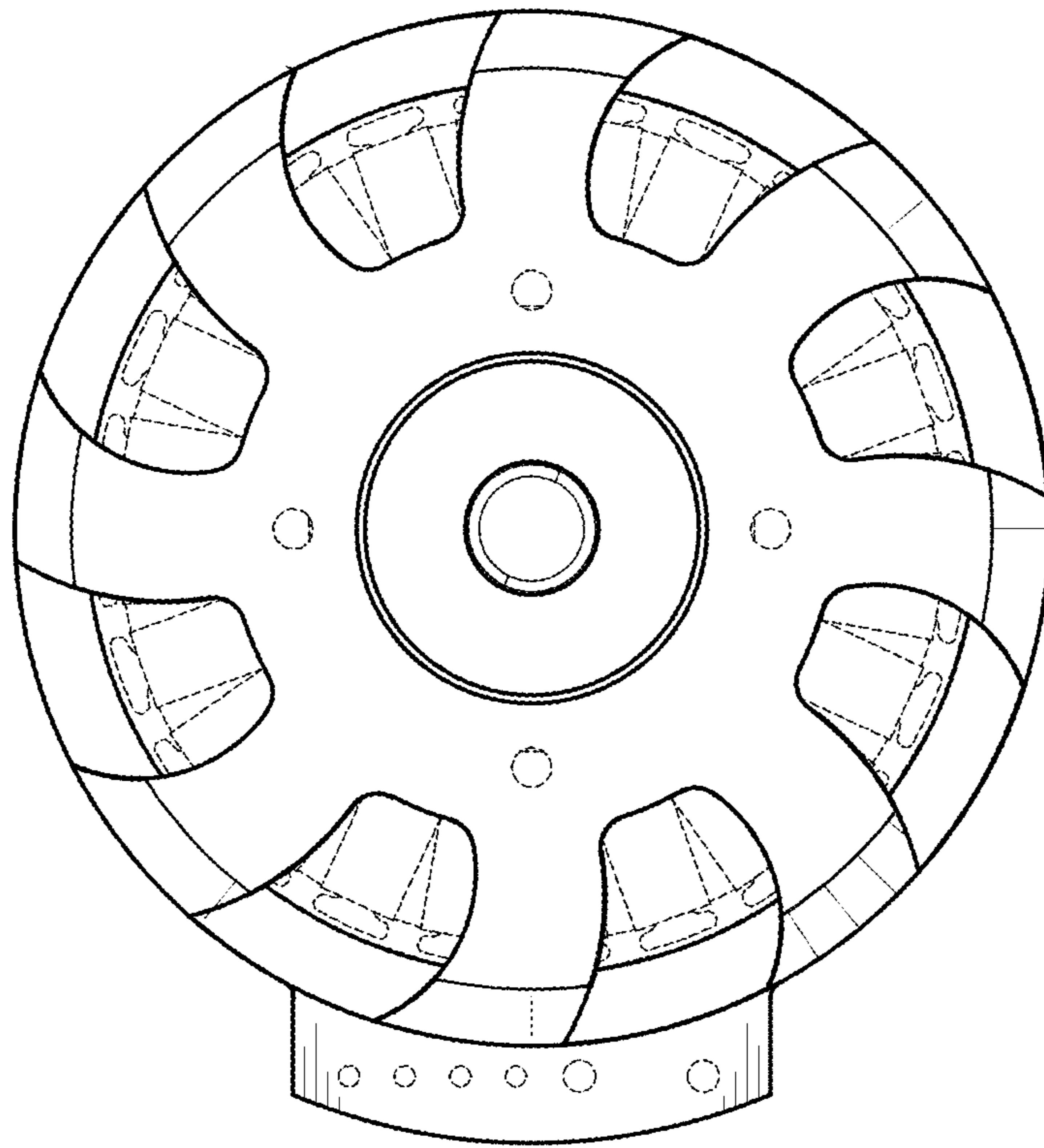
*FIG. 13*



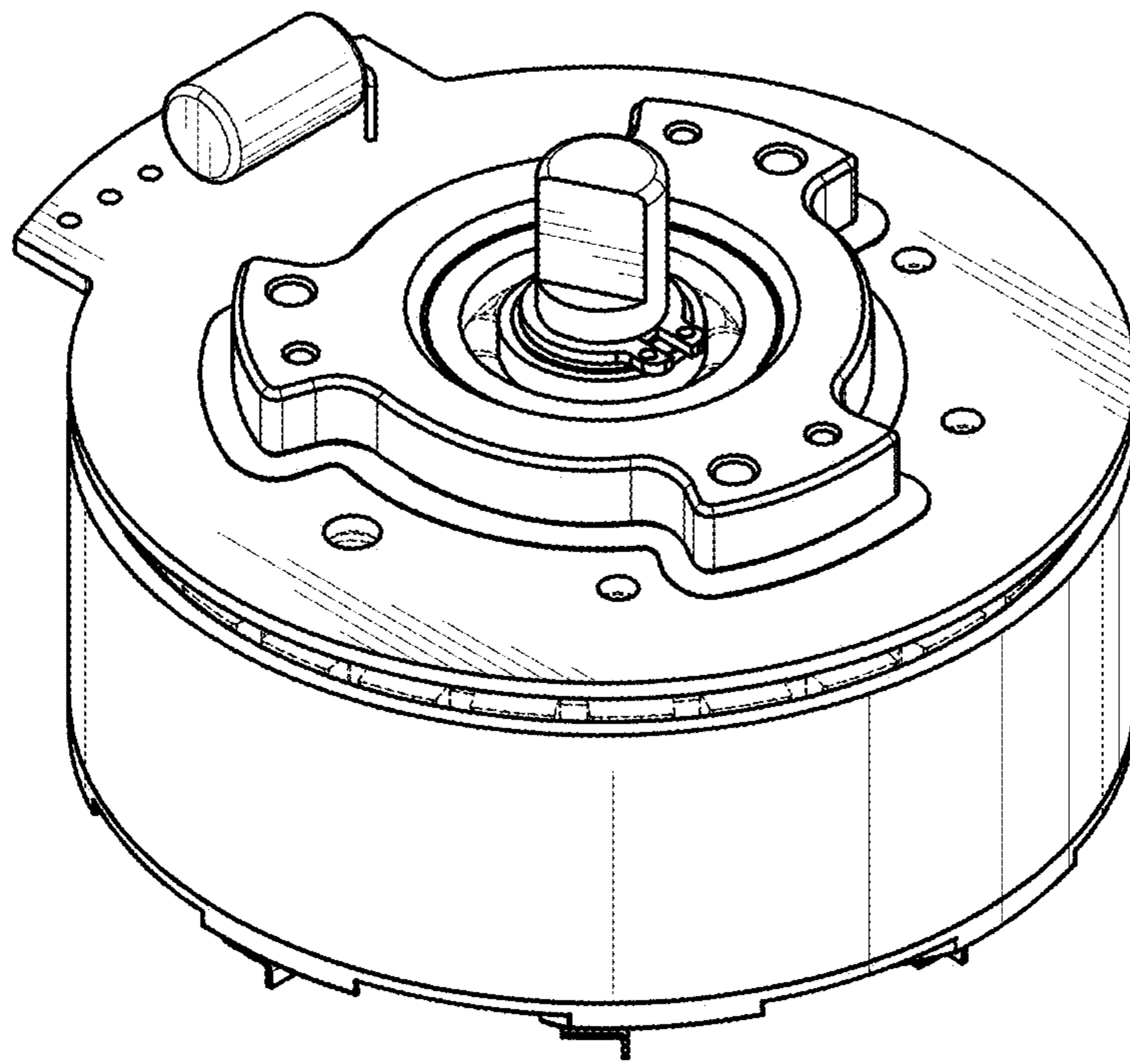
*FIG. 14*



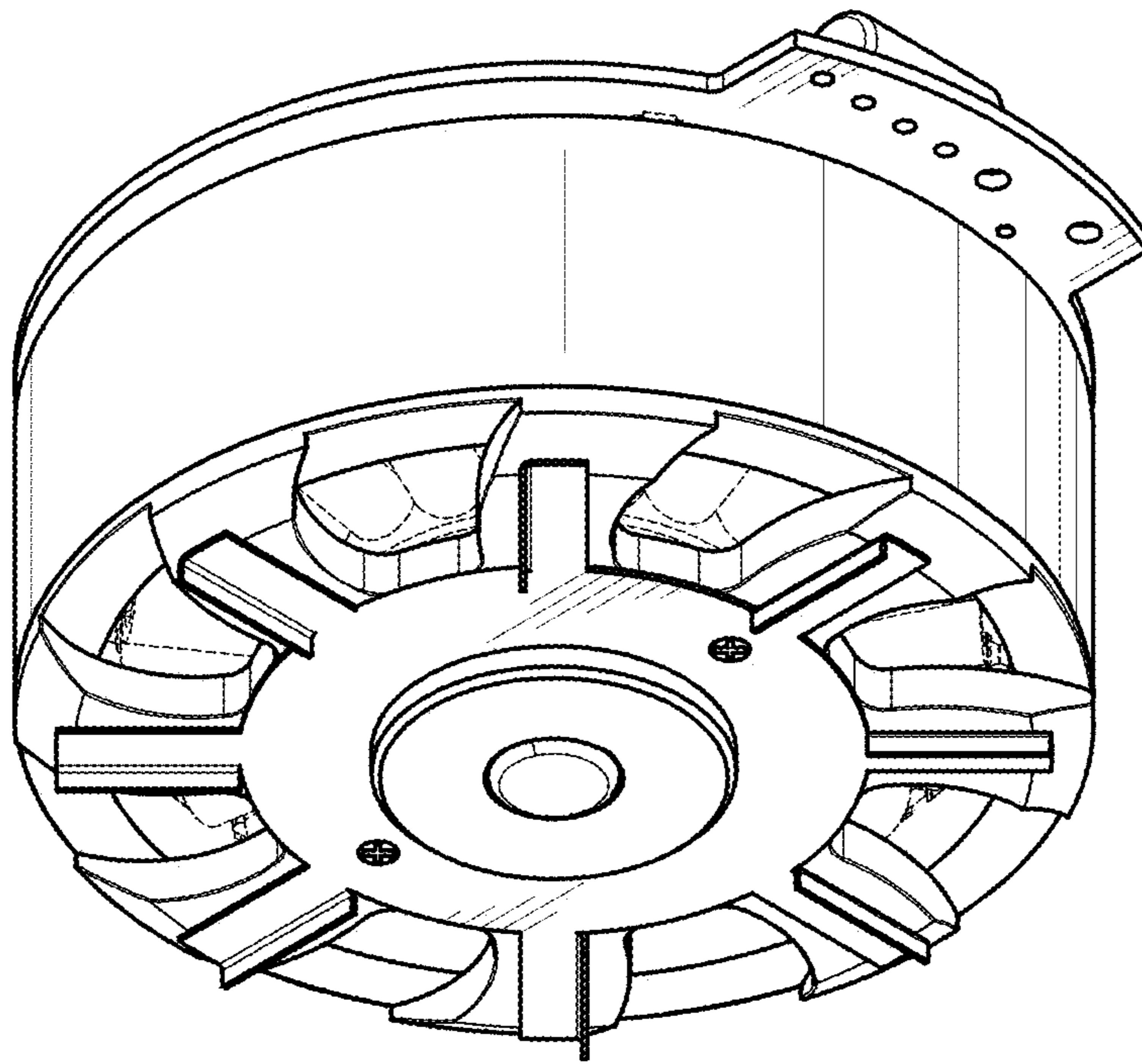
*FIG. 15*



*FIG. 16*

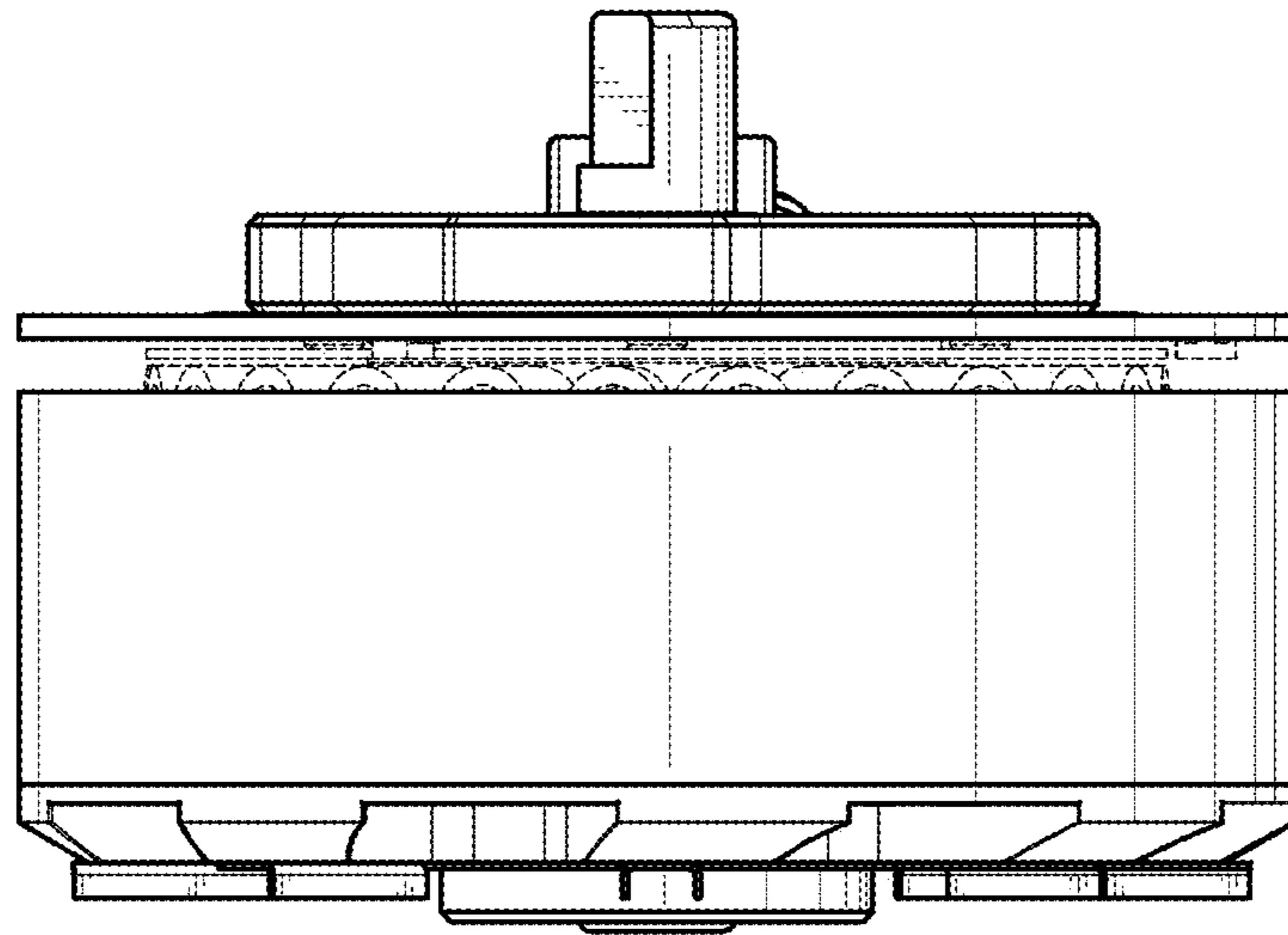


*FIG. 17*

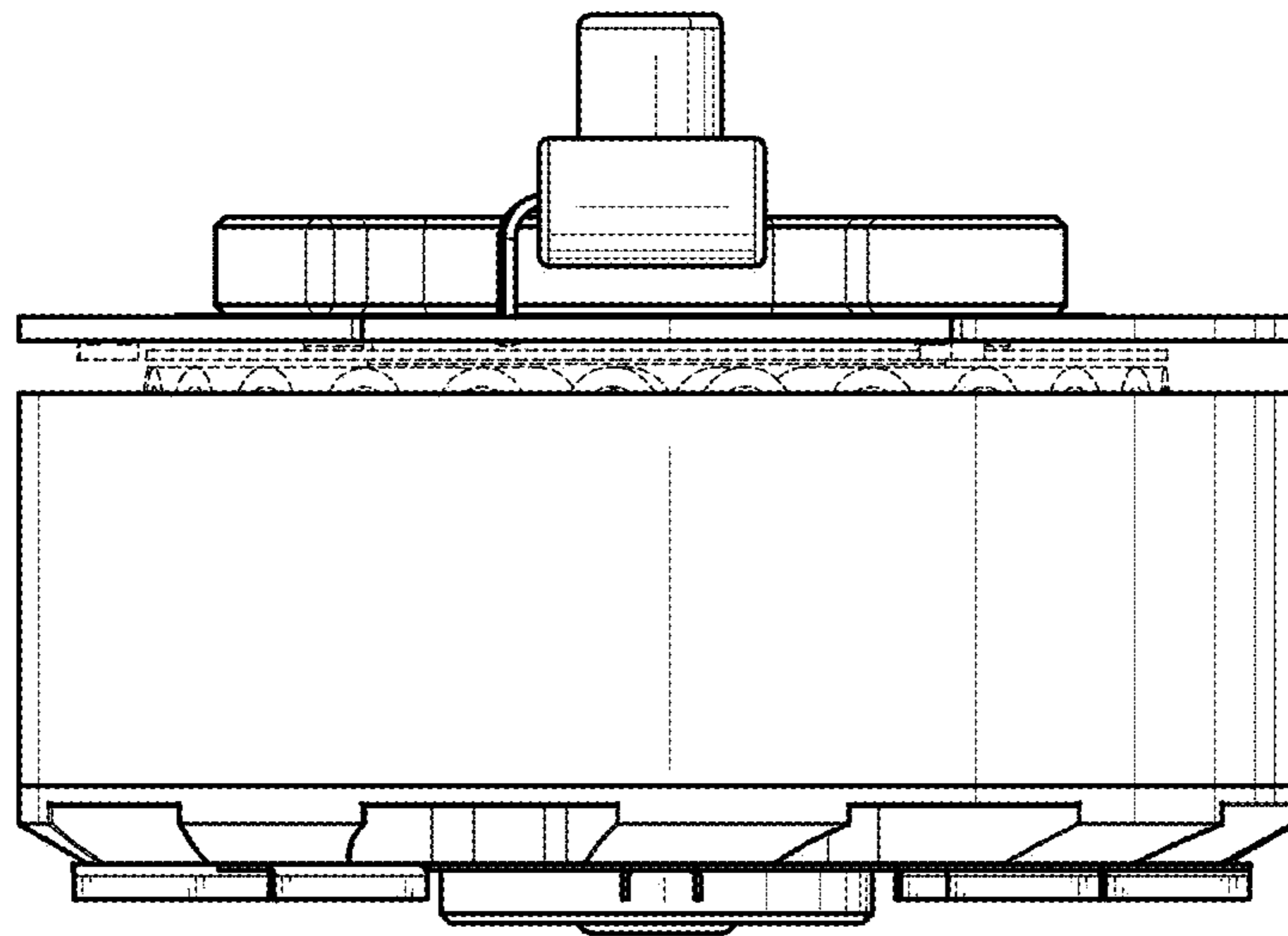


*FIG. 18*

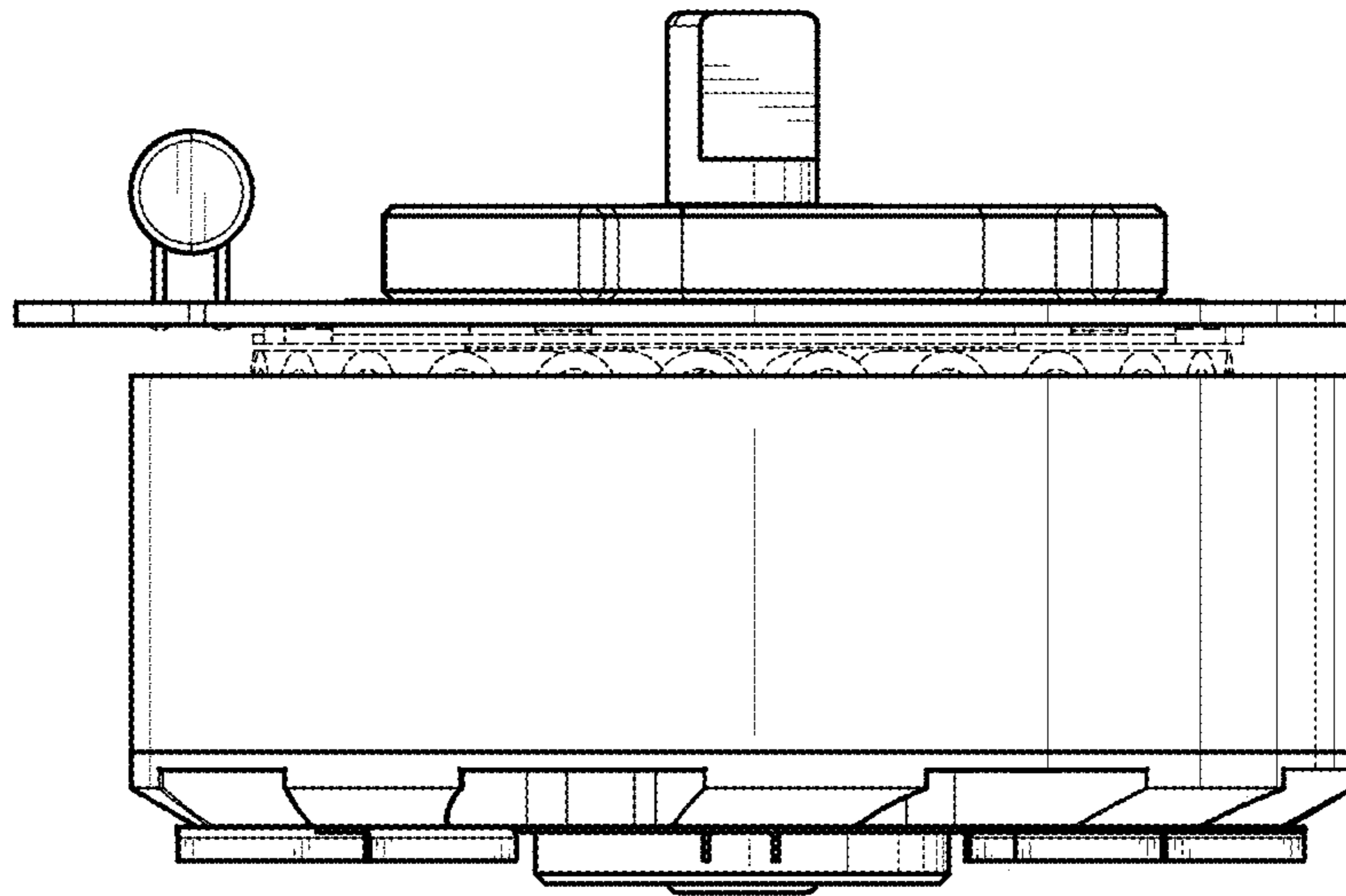




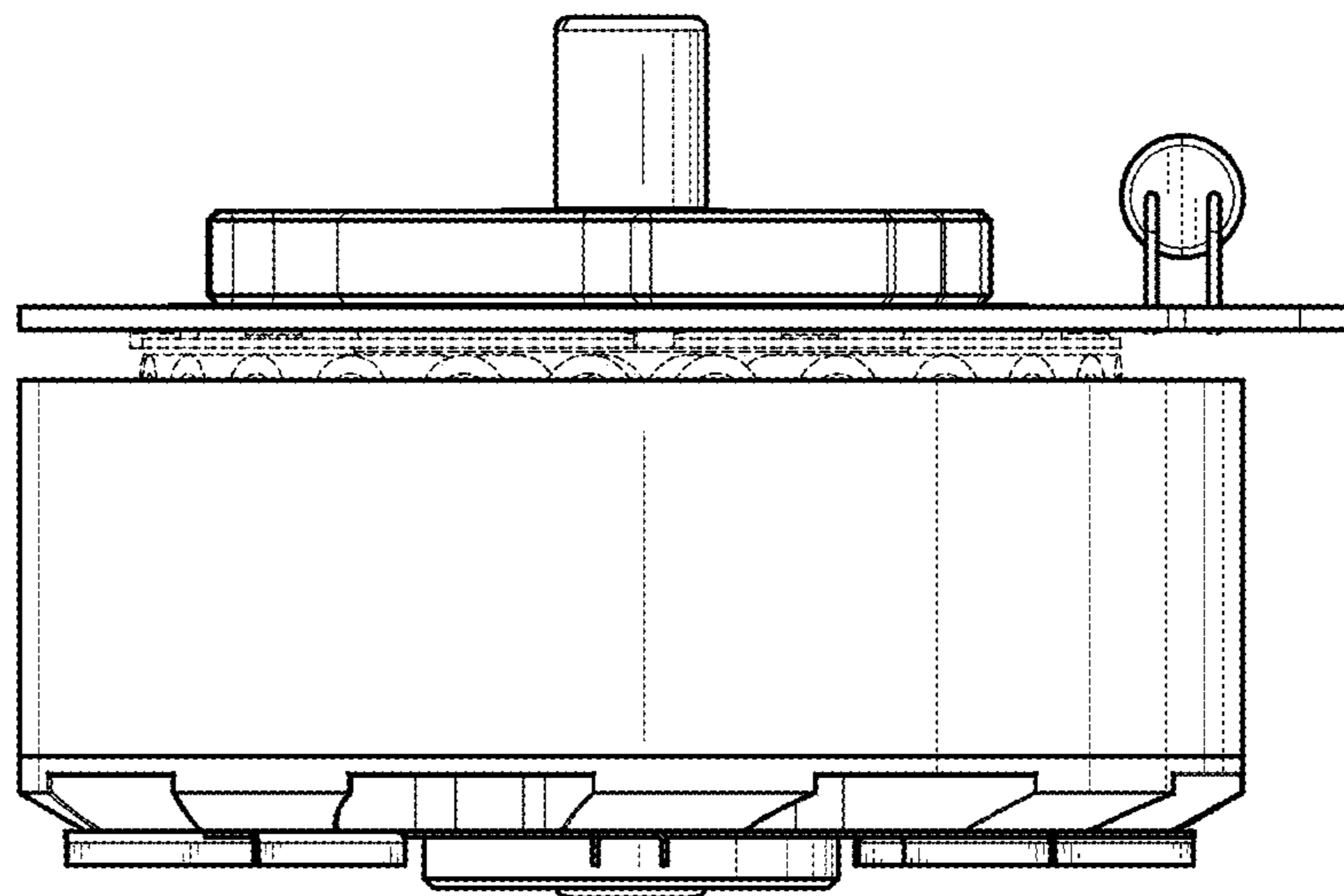
*FIG. 19*



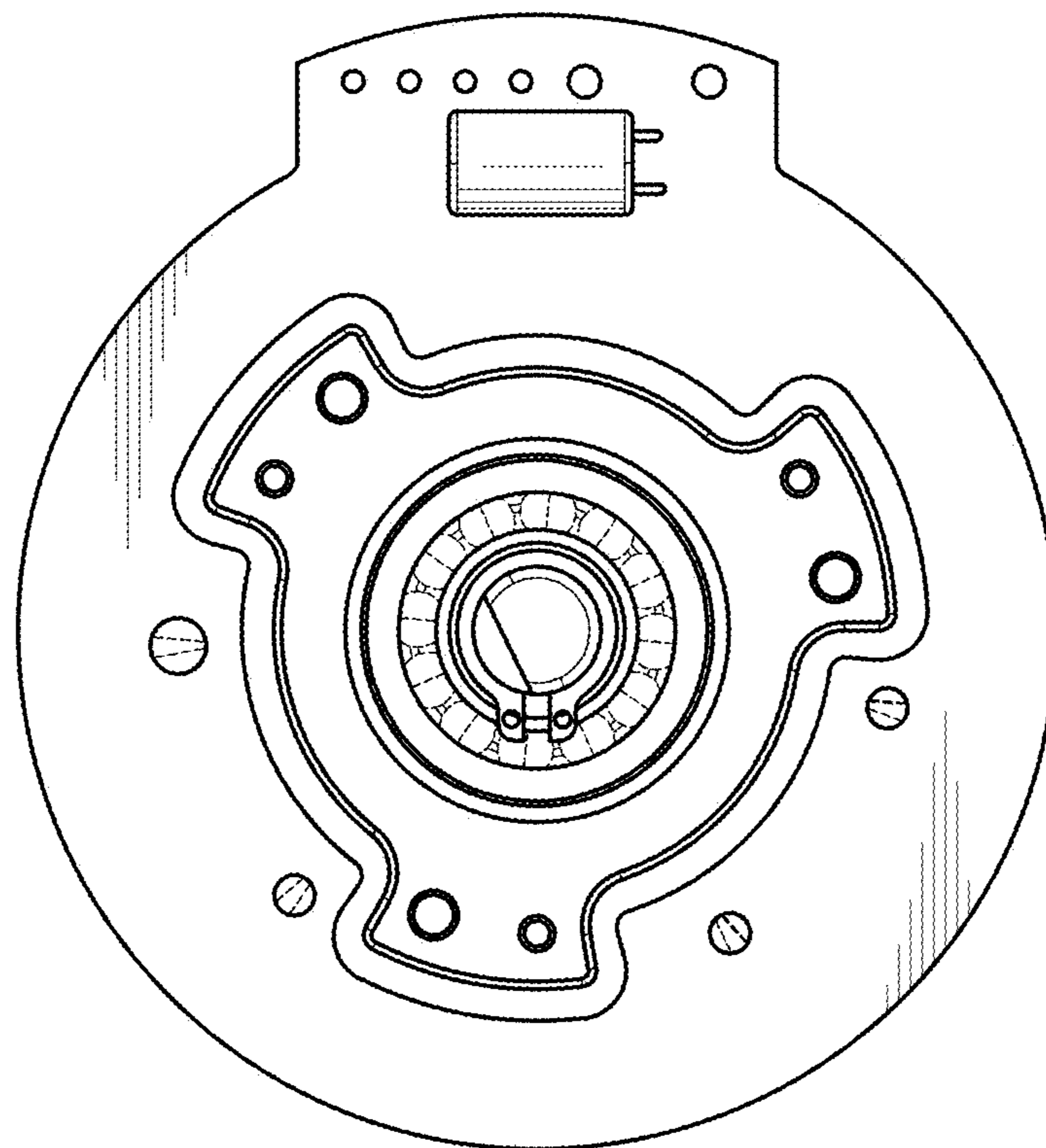
*FIG. 20*



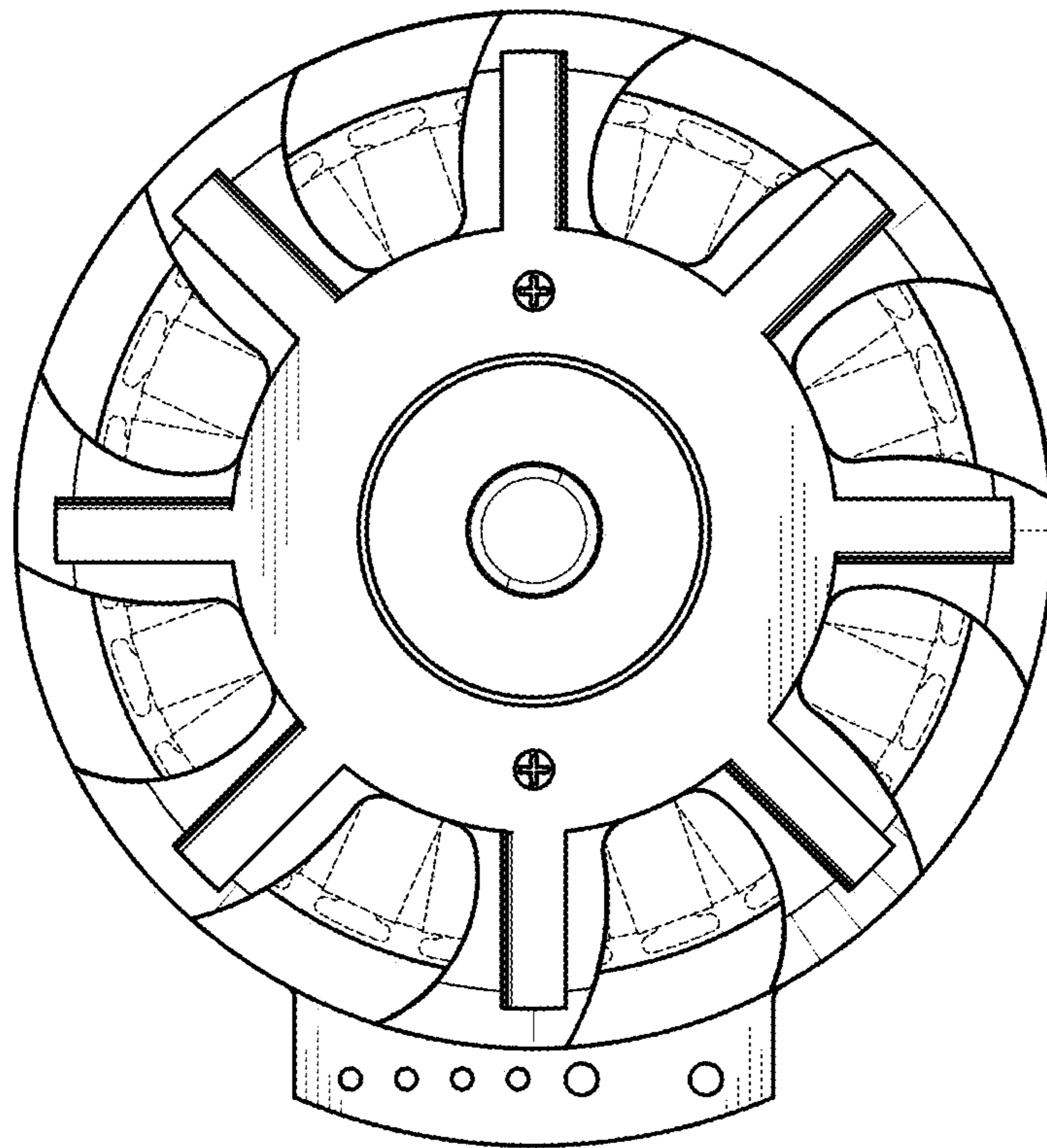
*FIG. 21*



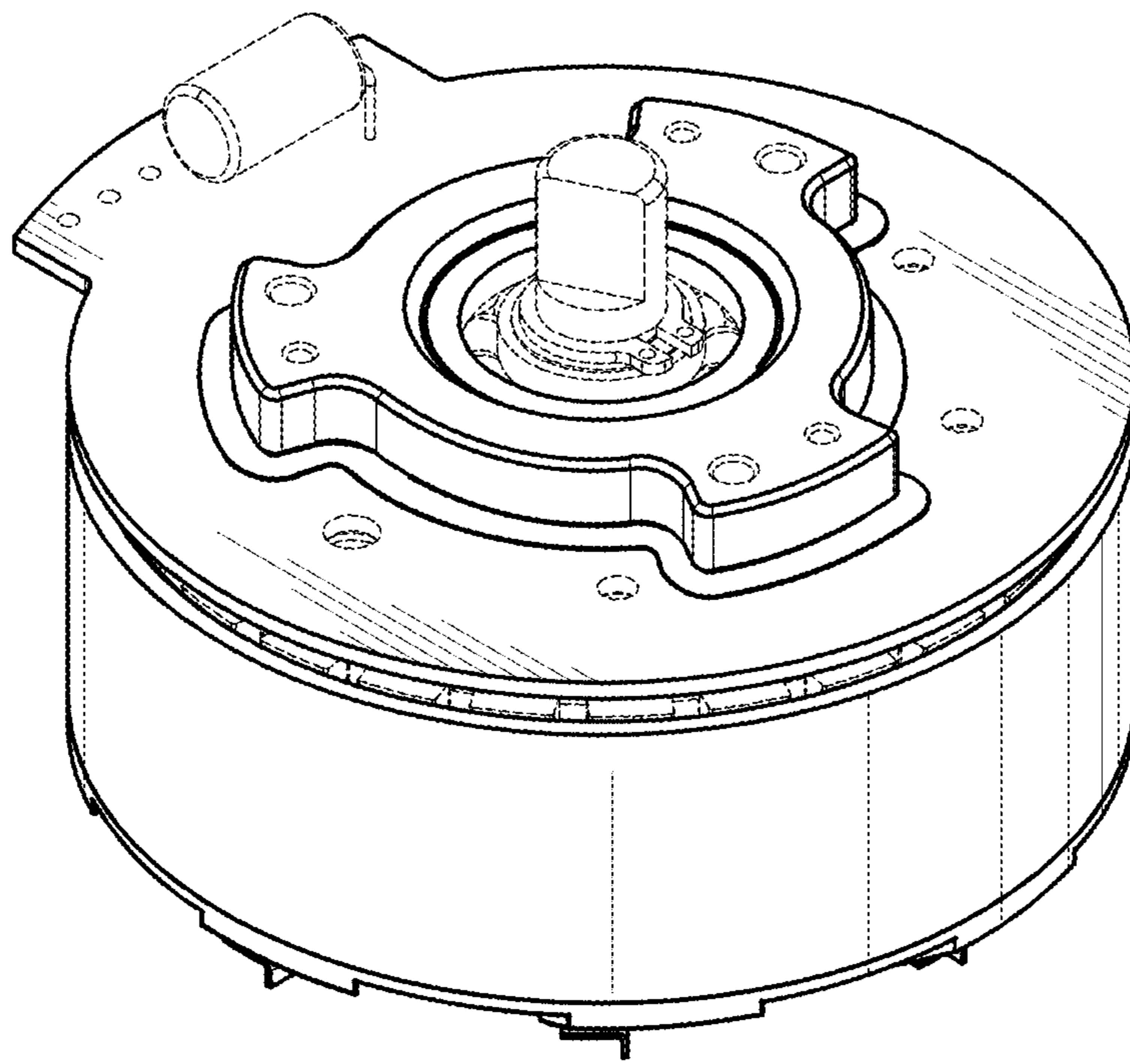
*FIG. 22*



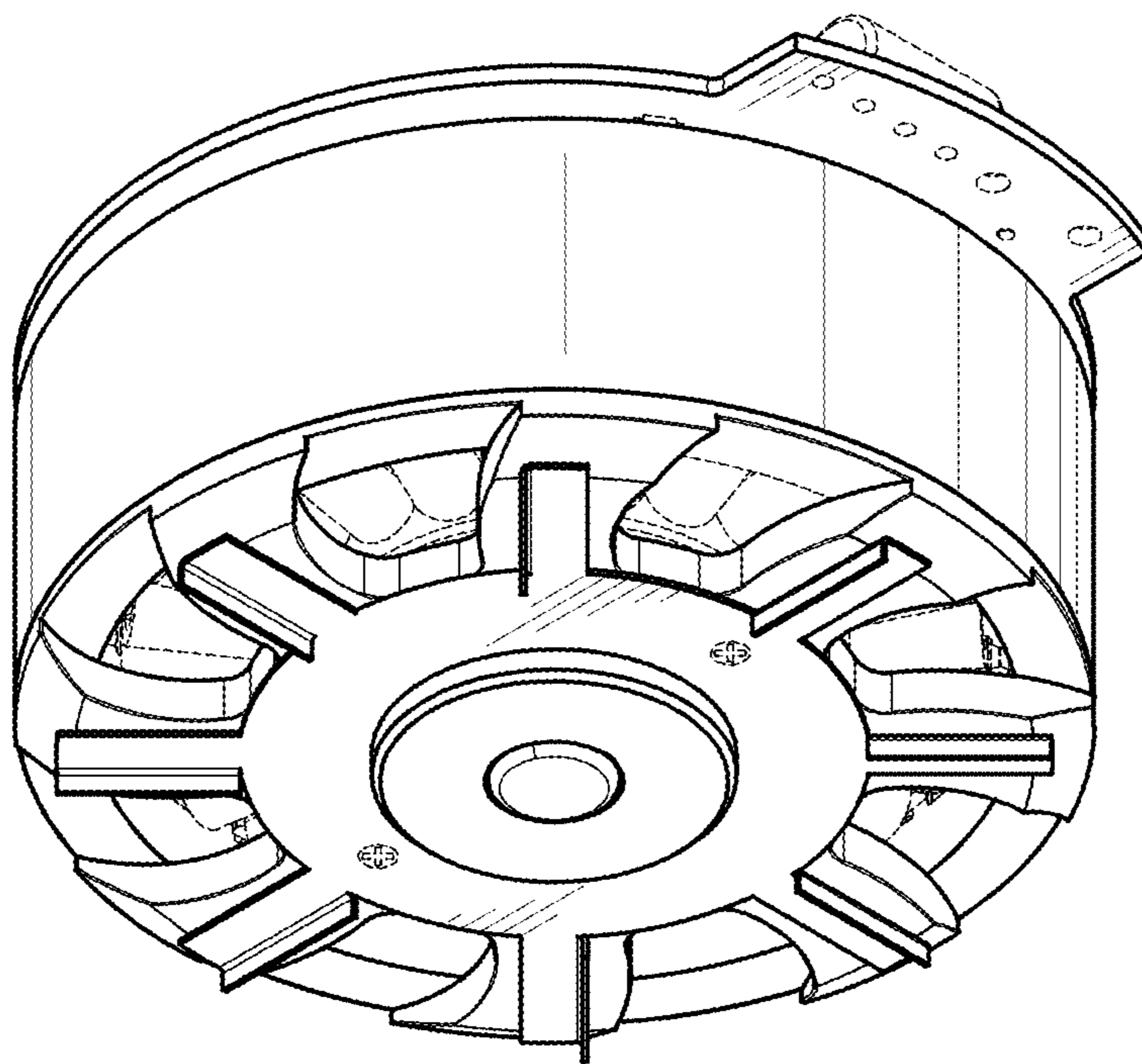
*FIG. 23*



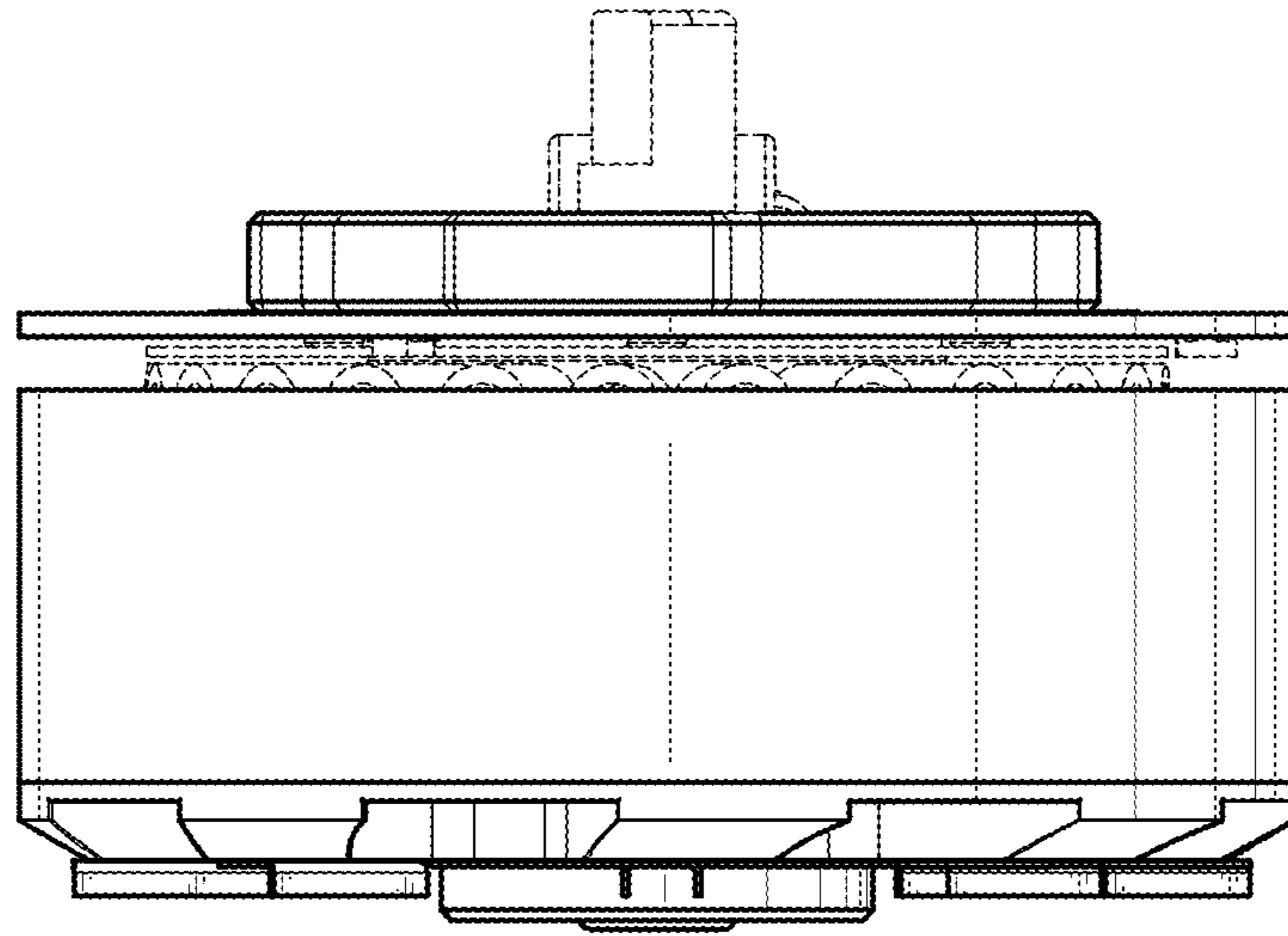
*FIG. 24*



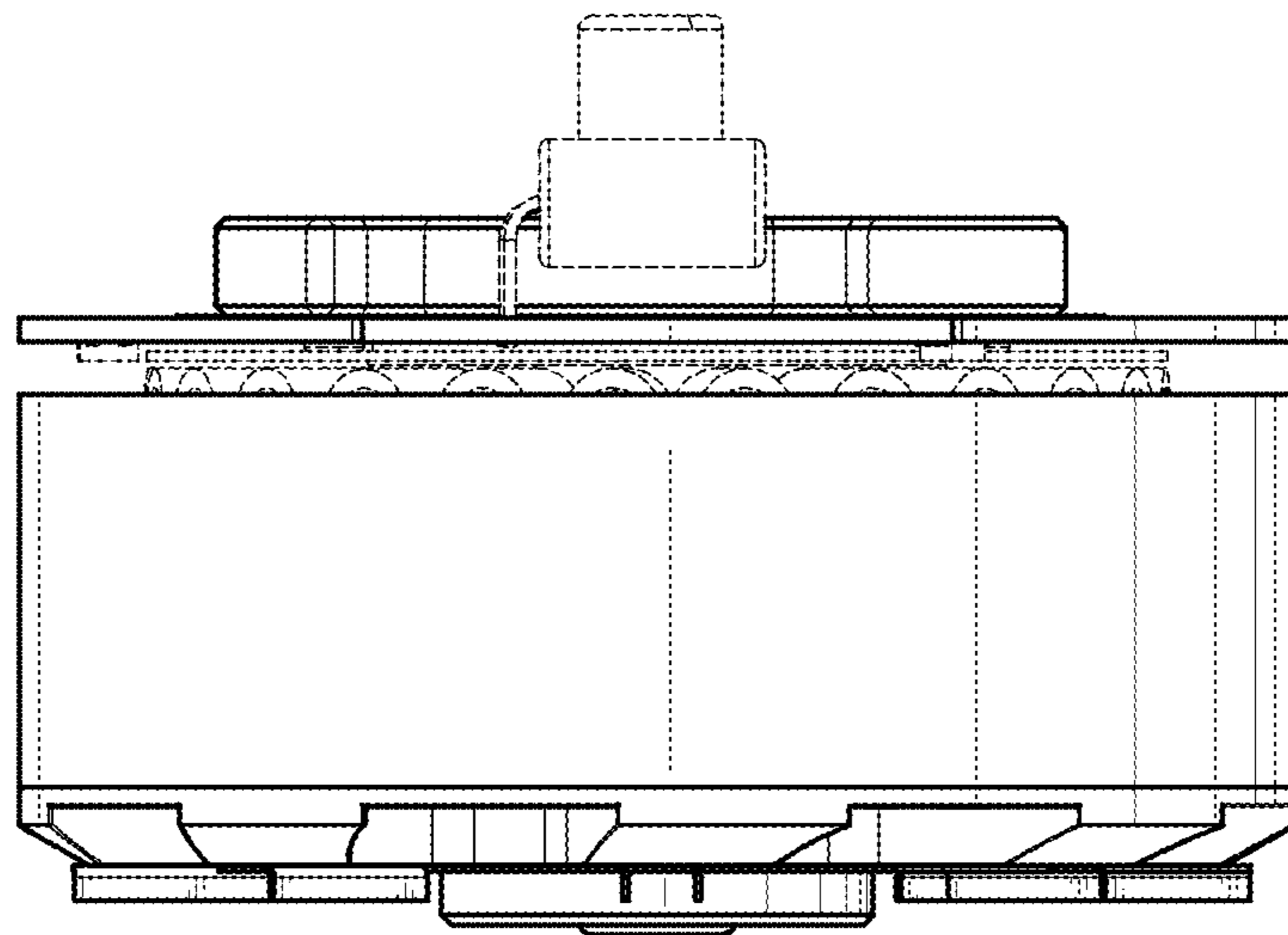
*FIG. 25*



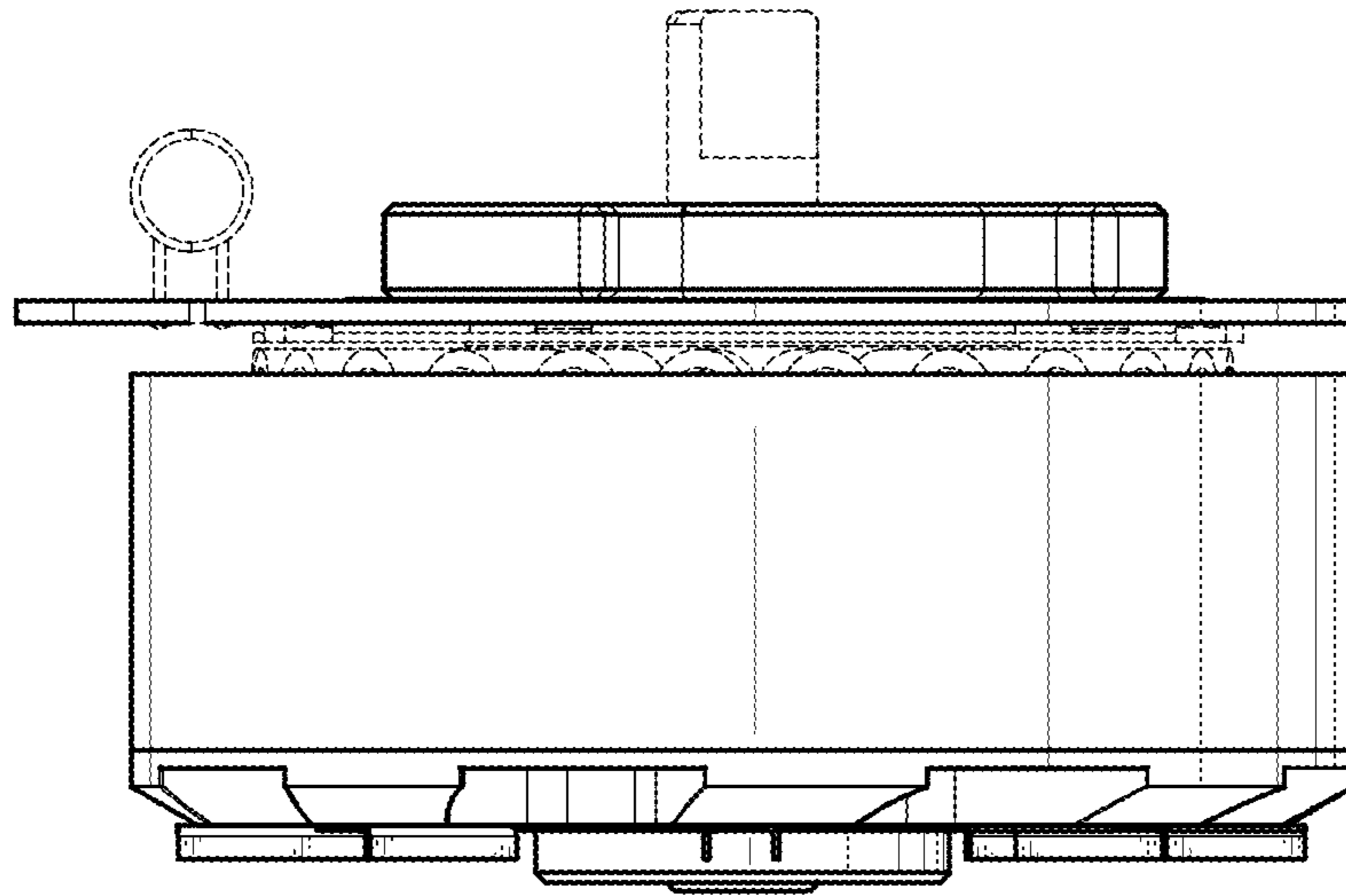
*FIG. 26*



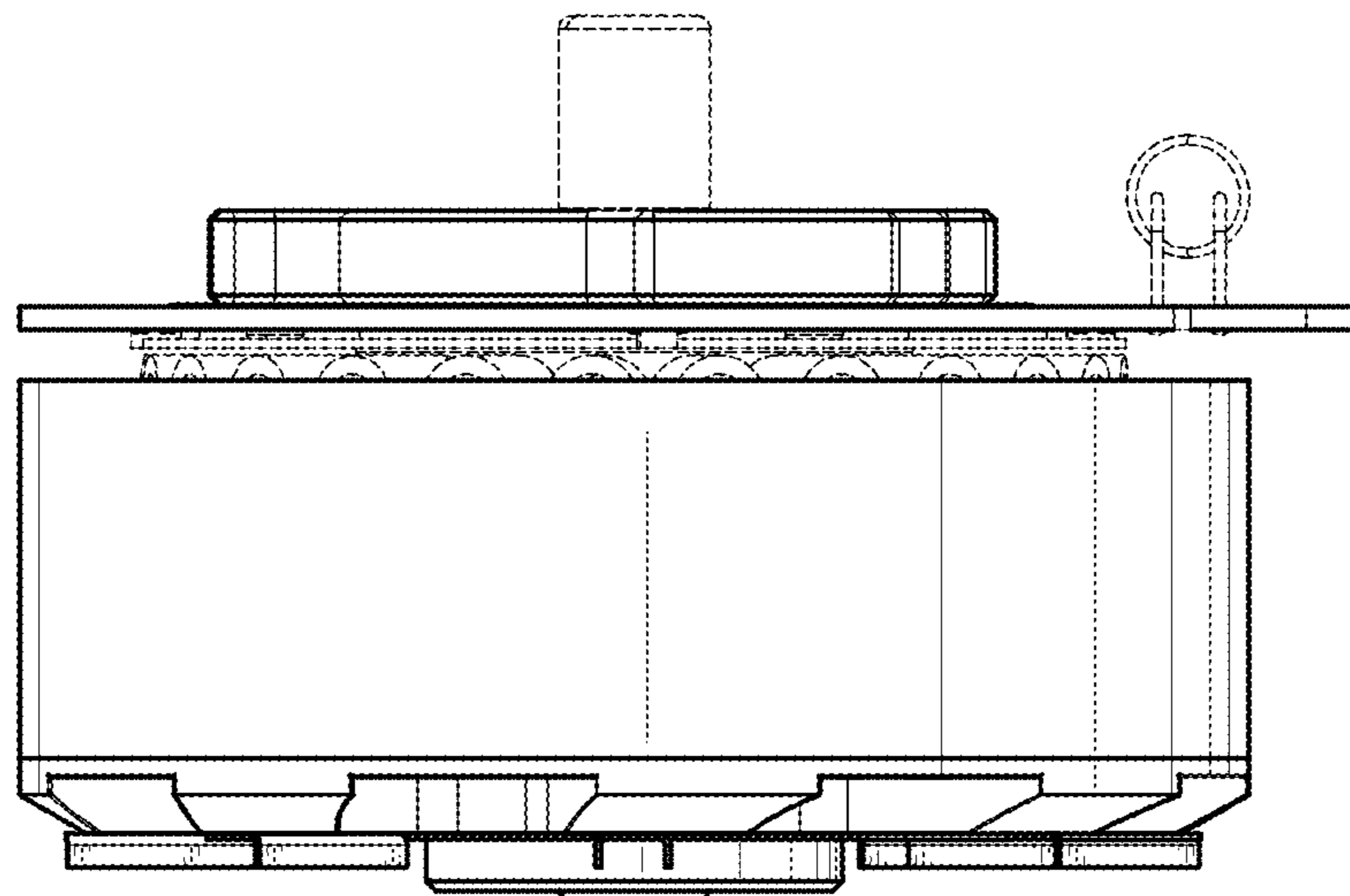
*FIG. 27*



*FIG. 28*

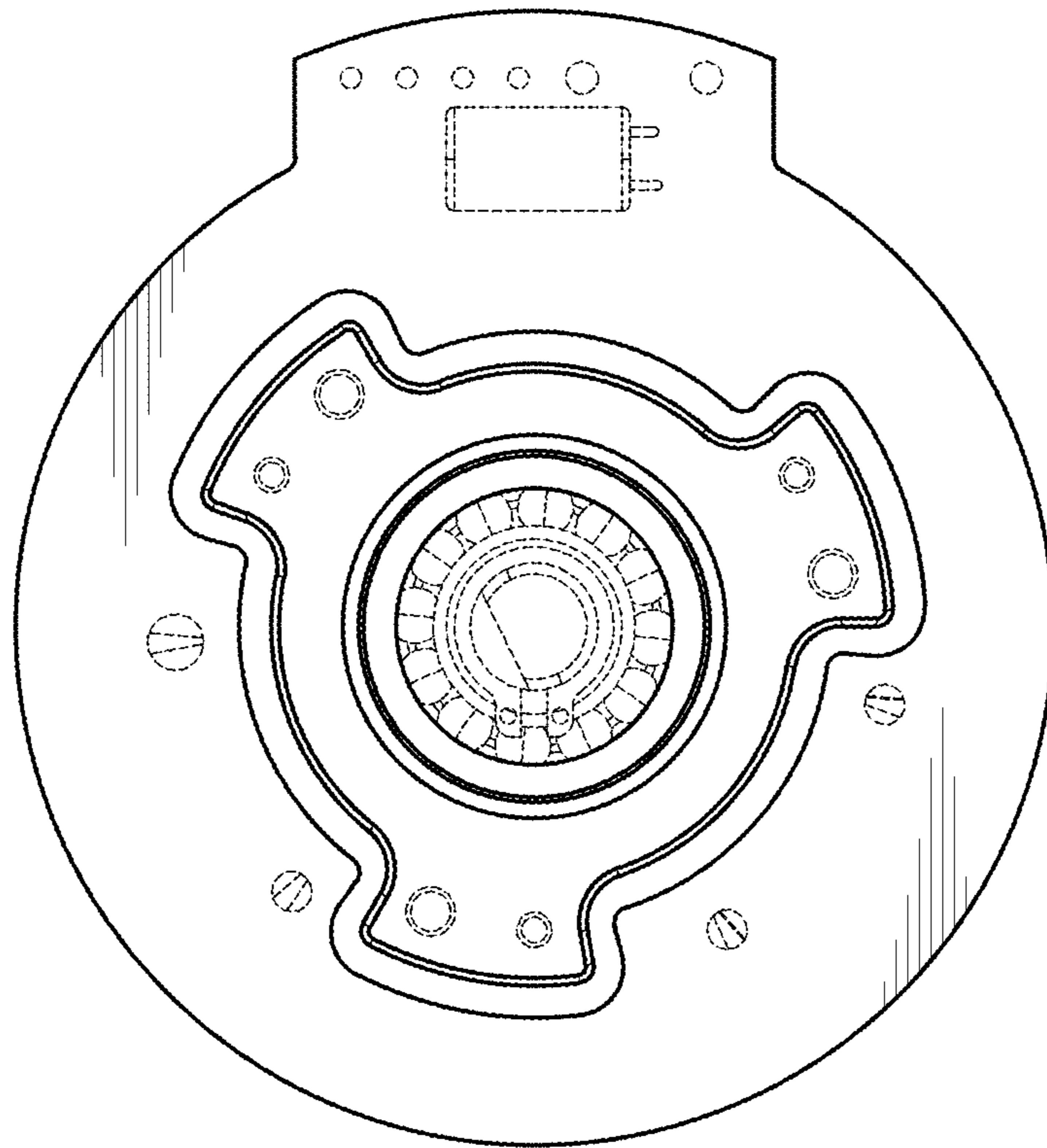


*FIG. 29*

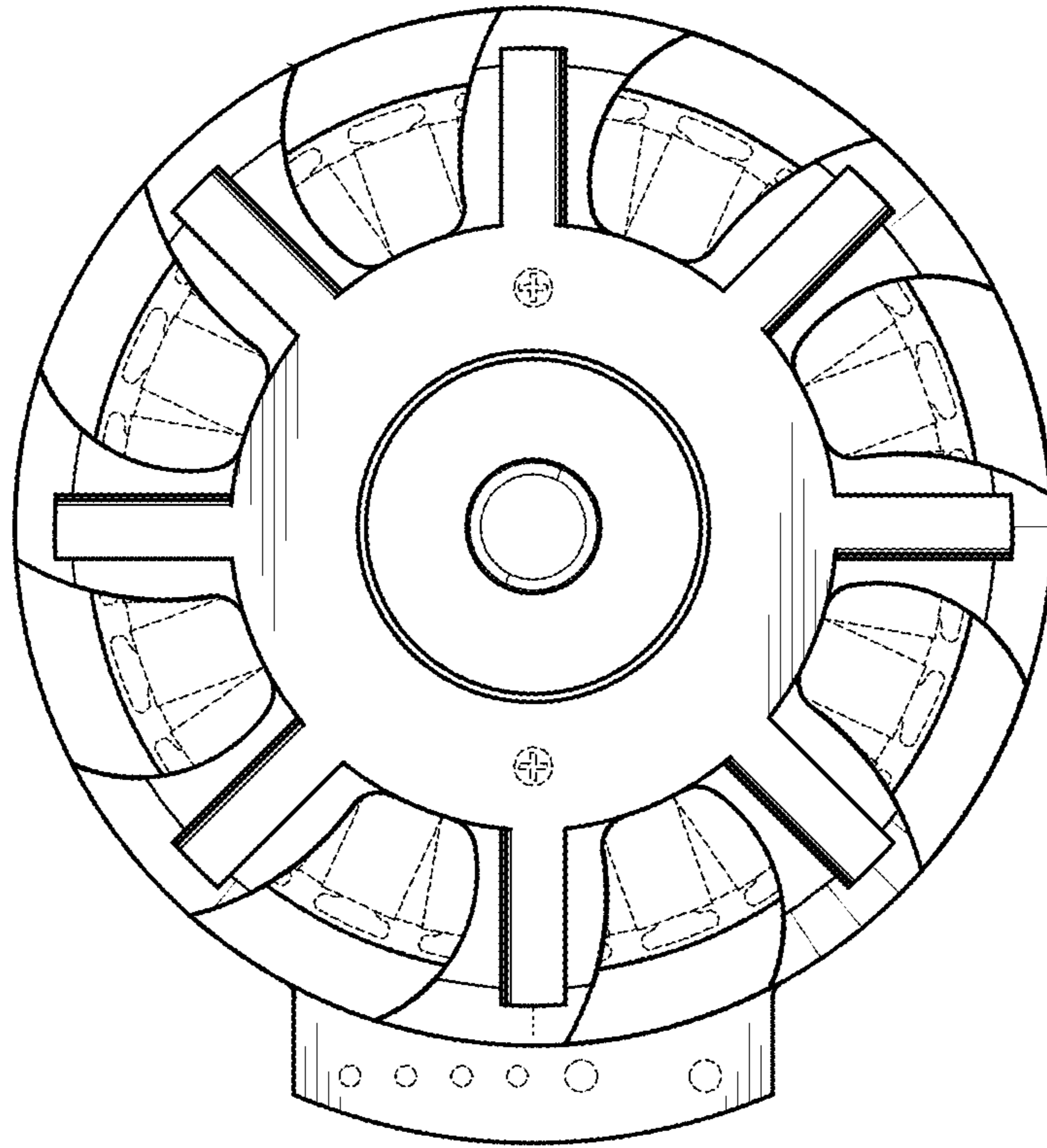


*FIG. 30*





*FIG. 31*



*FIG. 32*