



US00D920908S

(12) **United States Design Patent**  
**Qiu**

(10) **Patent No.:** **US D920,908 S**

(45) **Date of Patent:** **\*\* Jun. 1, 2021**

(54) **WIRELESS CHARGER**

(71) Applicant: **Lianfang Qiu**, Guangdong (CN)

(72) Inventor: **Lianfang Qiu**, Guangdong (CN)

(\*\*) Term: **15 Years**

(21) Appl. No.: **29/729,850**

(22) Filed: **Mar. 31, 2020**

(51) **LOC (13) Cl.** ..... **13-02**

(52) **U.S. Cl.**  
USPC ..... **D13/108**

(58) **Field of Classification Search**  
USPC ..... D13/107–110, 118, 119, 184, 199  
CPC .. Y02E 60/12; H01R 13/6675; H01M 2/1022;  
H01M 2/1055; H01M 10/44; H01M  
10/46; H01M 10/425; H02J 2001/008;  
H02J 3/32; H02J 3/008; H02J 7/0027;  
H02J 7/0013; H02J 7/0054; H02J 7/00;  
B60R 16/03

See application file for complete search history.

(56) **References Cited**

**U.S. PATENT DOCUMENTS**

D762,650 S *	8/2016	Dang	.....	D14/434
D776,053 S *	1/2017	Barnard	.....	D13/108
D788,094 S *	5/2017	Kim	.....	D14/253
D788,762 S *	6/2017	Kim	.....	D14/253
D813,805 S *	3/2018	Zhong	.....	D13/108
D816,027 S *	4/2018	Chen	.....	D13/108
D826,851 S *	8/2018	Wang	.....	D13/108
D839,190 S *	1/2019	Xie	.....	D13/108
D852,134 S *	6/2019	Mei	.....	D13/108
D852,135 S *	6/2019	Mei	.....	D13/108
D855,566 S *	8/2019	Chen	.....	D13/108
D857,626 S *	8/2019	Zhang	.....	D13/108
D858,437 S *	9/2019	Lu	.....	D13/108
D870,041 S *	12/2019	Choi	.....	D13/108
D871,331 S *	12/2019	Langhammer	.....	D13/108

D877,072 S *	3/2020	Yin	.....	D13/108
D879,035 S *	3/2020	Li	.....	D13/108
D881,123 S *	4/2020	Zhang	.....	D13/108
D884,621 S *	5/2020	Feng	.....	D13/108
D884,622 S *	5/2020	Huang	.....	D13/108
D886,051 S *	6/2020	Chen	.....	D13/108
D886,056 S *	6/2020	Zhang	.....	D13/108
D889,403 S *	7/2020	Li	.....	D13/108
D892,046 S *	8/2020	Peng	.....	D13/108
D893,422 S *	8/2020	Xiao	.....	D13/108
D896,174 S *	9/2020	Li	.....	D13/108
D896,816 S *	9/2020	Qiu	.....	D14/434
D897,953 S *	10/2020	Chen	.....	D13/108
D900,735 S *	11/2020	He	.....	D13/108
D900,737 S *	11/2020	Hsu	.....	D13/108
D902,149 S *	11/2020	Tu	.....	D13/108
D904,978 S *	12/2020	Liao	.....	D13/108
D905,042 S *	12/2020	Lim	.....	D14/253
D907,575 S *	1/2021	Xu	.....	D13/108
D911,277 S *	2/2021	Shang	.....	D13/108

(Continued)

*Primary Examiner* — Christy Nemeth

(74) *Attorney, Agent, or Firm* — W&K IP

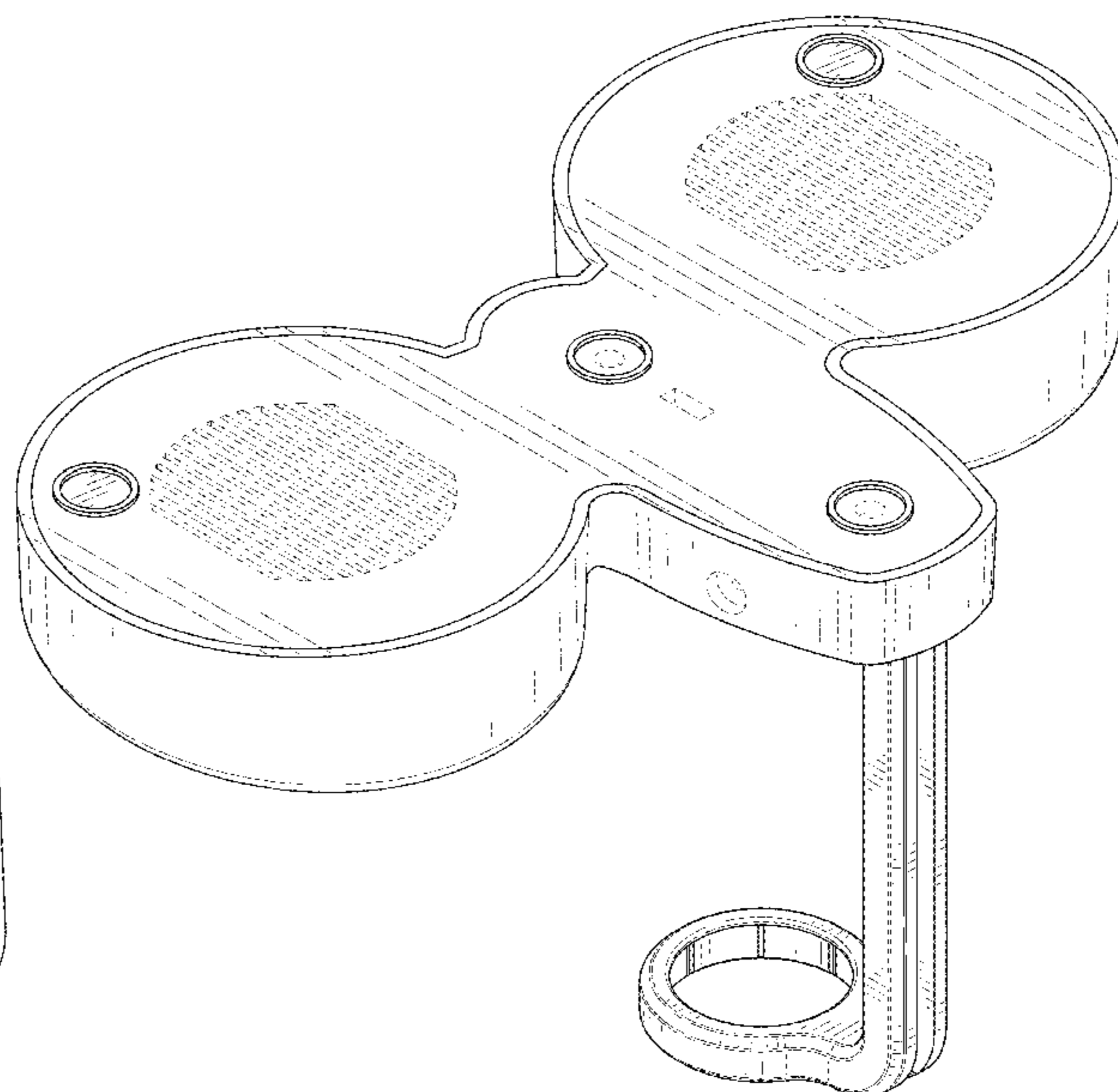
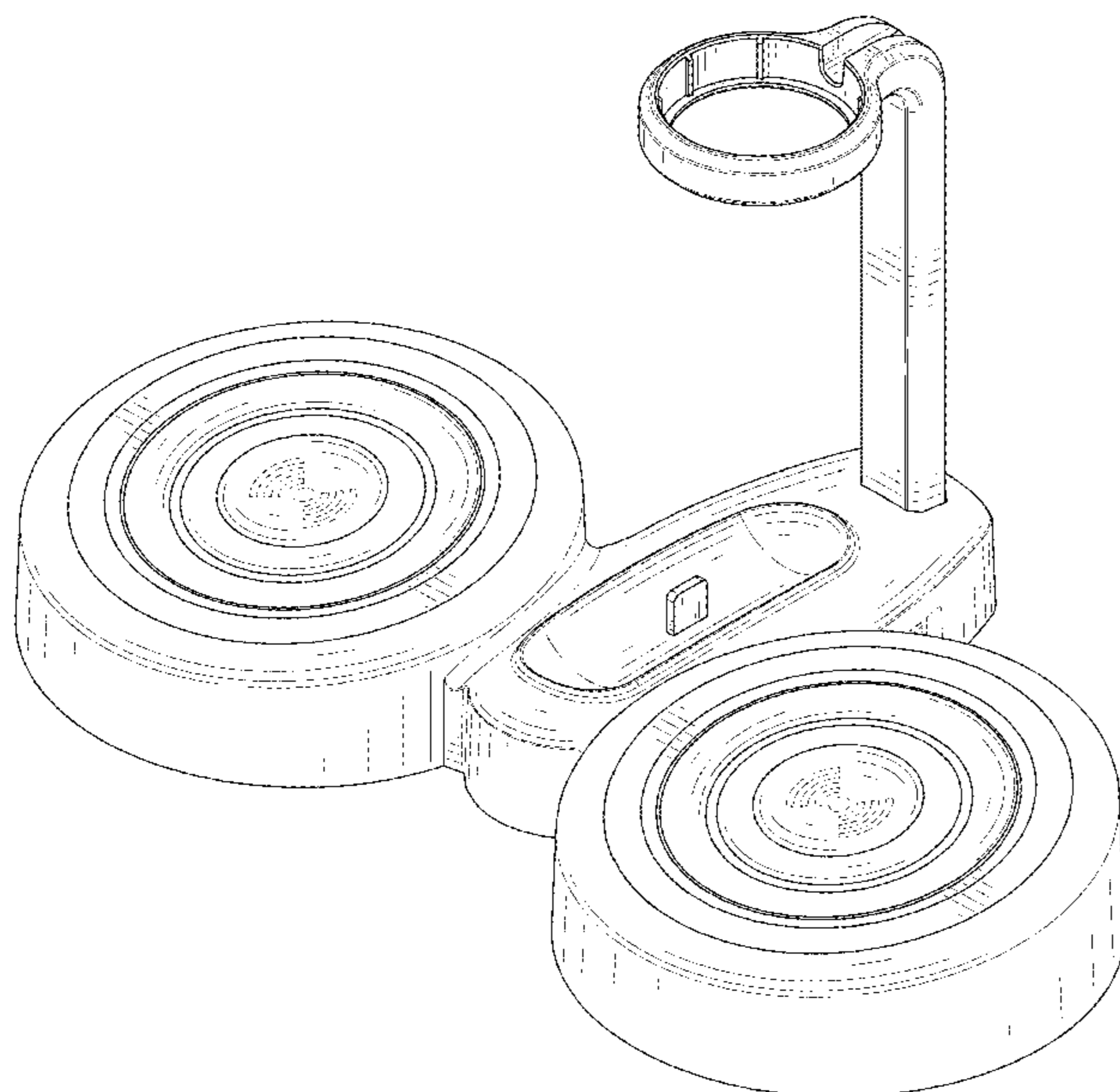
(57) **CLAIM**

The ornamental design for a wireless charger, as shown and described.

**DESCRIPTION**

FIG. 1 is a front and top perspective view of a wireless charger, showing my new design;  
FIG. 2 is a rear and bottom perspective view thereof;  
FIG. 3 is a front elevational view thereof;  
FIG. 4 is a rear elevational view thereof;  
FIG. 5 is a left side elevational view thereof;  
FIG. 6 is a right side elevational view thereof;  
FIG. 7 is a top plan view thereof; and,  
FIG. 8 is a bottom plan view thereof.  
The broken lines in the figures illustrate portions of the wireless charger that form no part of the claimed design.

**1 Claim, 8 Drawing Sheets**



(56)

**References Cited**

U.S. PATENT DOCUMENTS

D911,278 S \* 2/2021 Shang ..... D13/108  
D911,941 S \* 3/2021 Lee ..... D13/108  
D913,919 S \* 3/2021 Wang ..... D13/108  
2020/0185952 A1\* 6/2020 Morrow ..... H02J 7/0027

\* cited by examiner

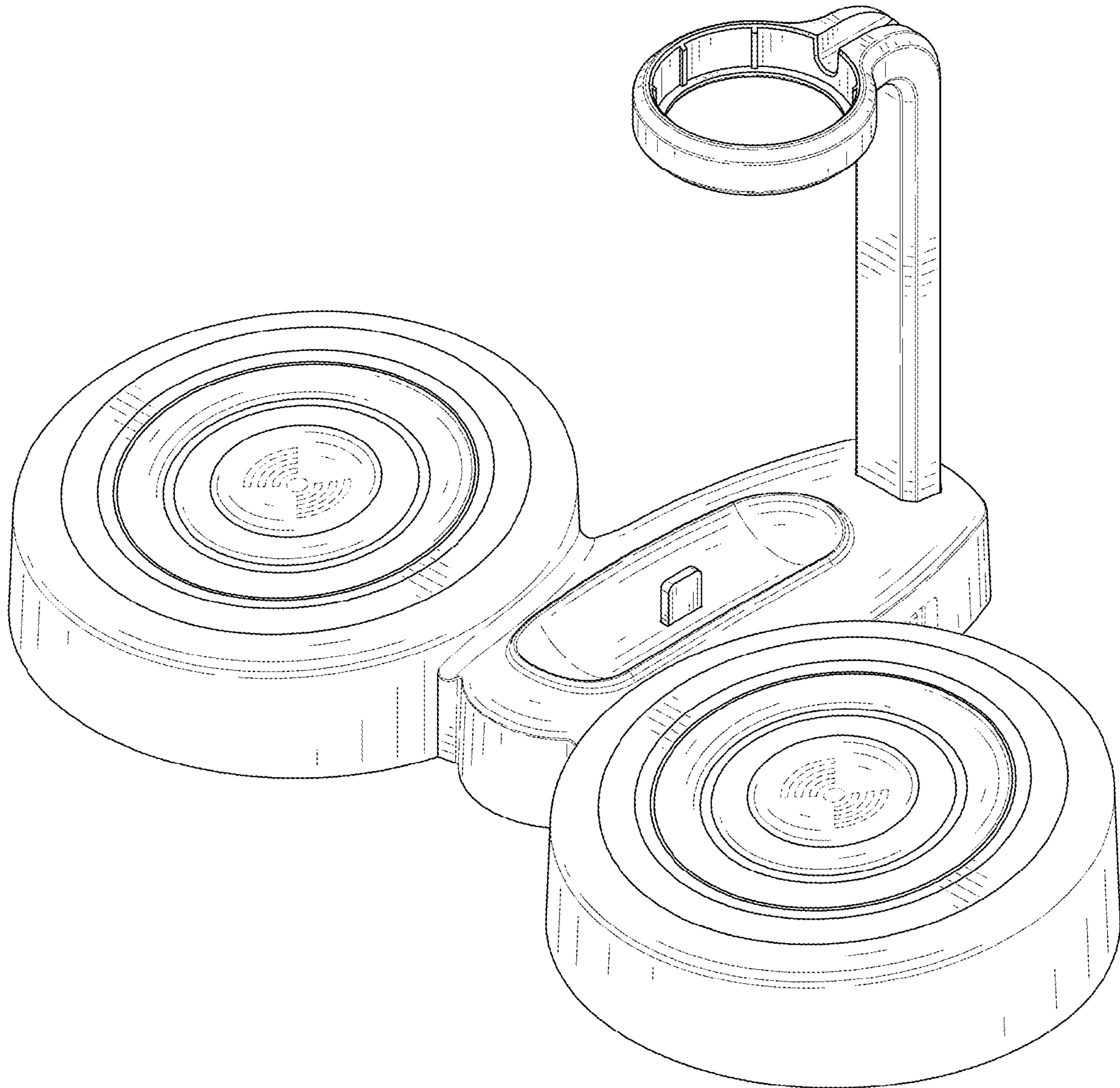


FIG. 1

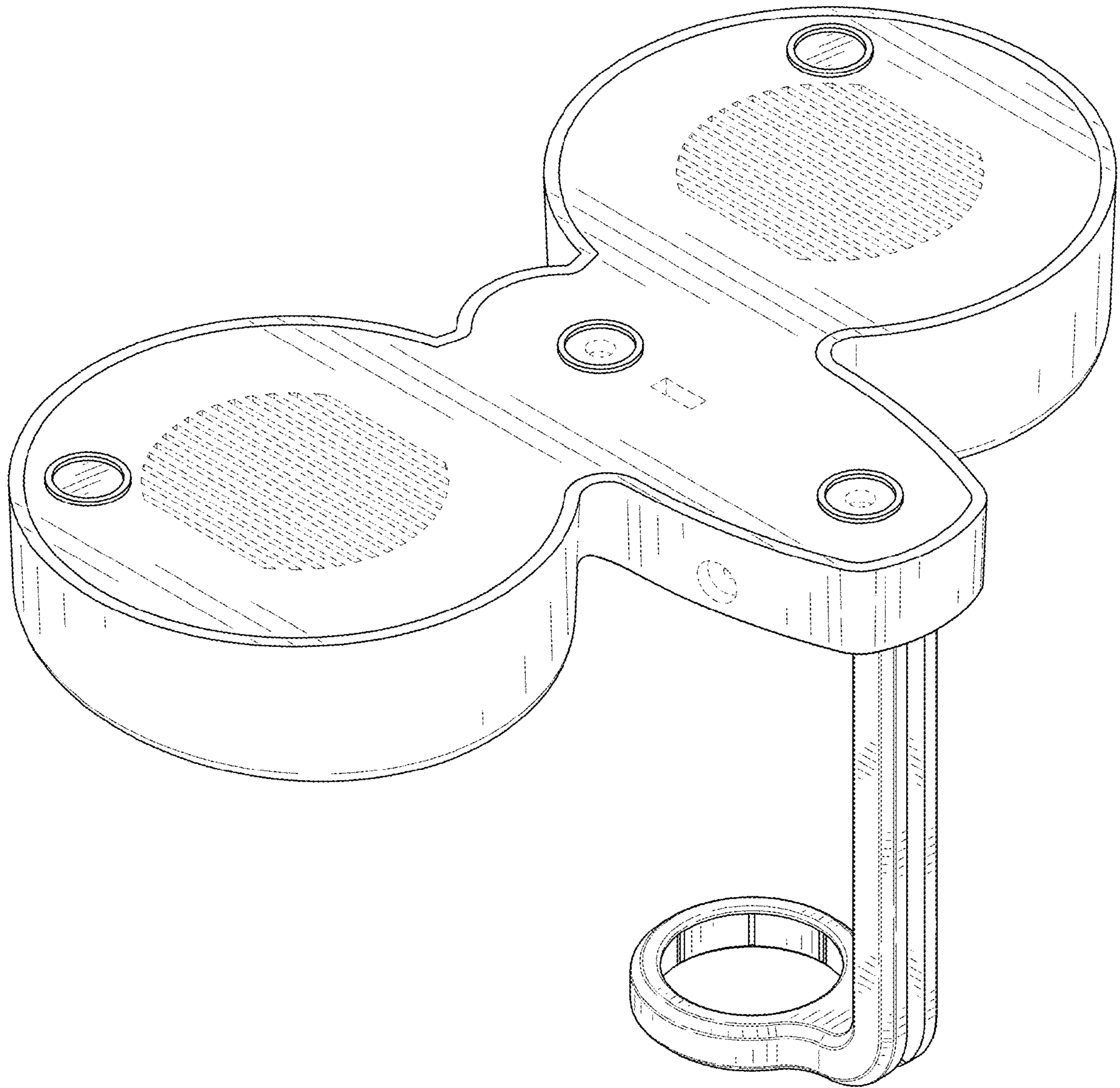


FIG. 2

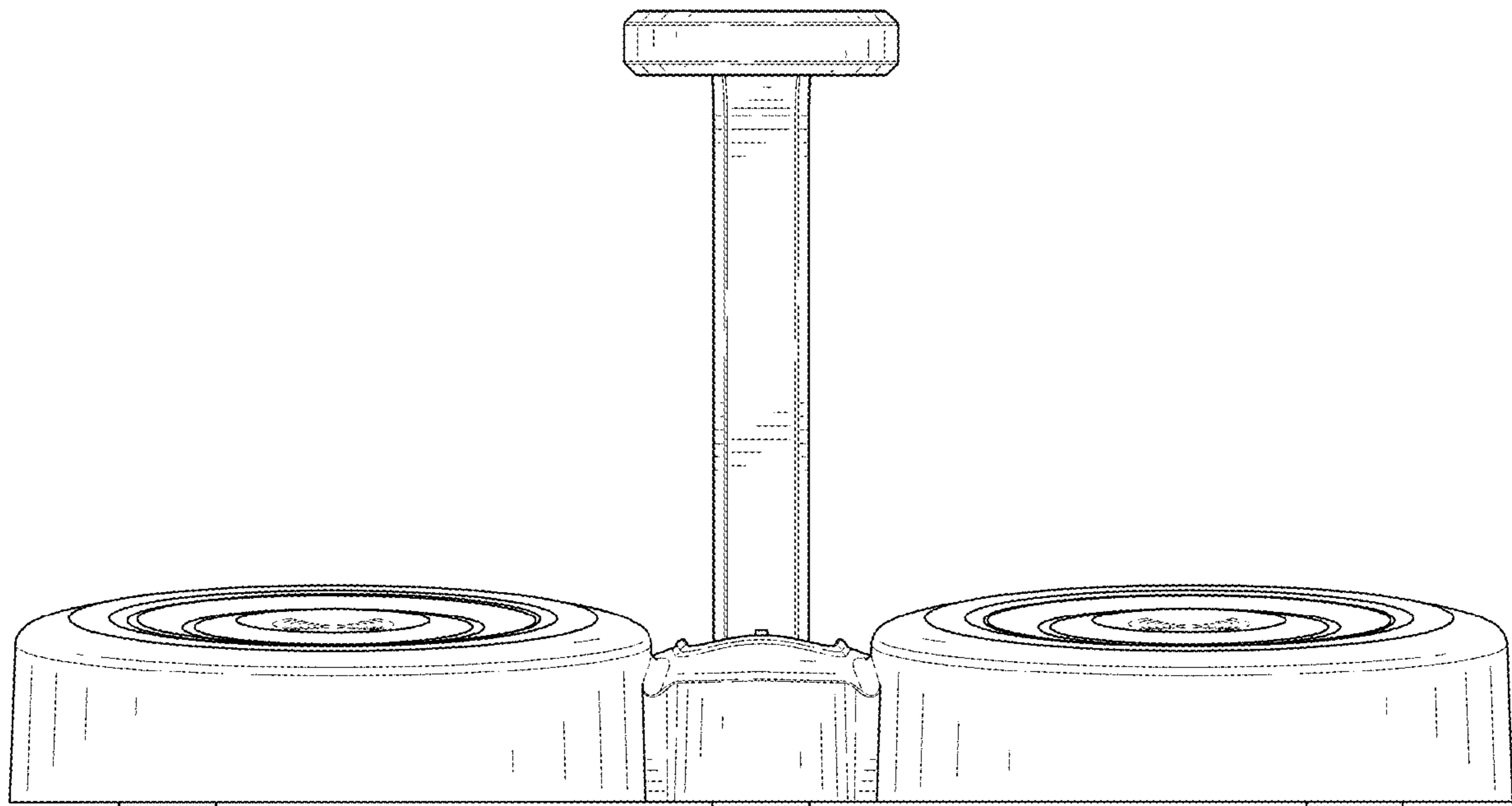


FIG. 3

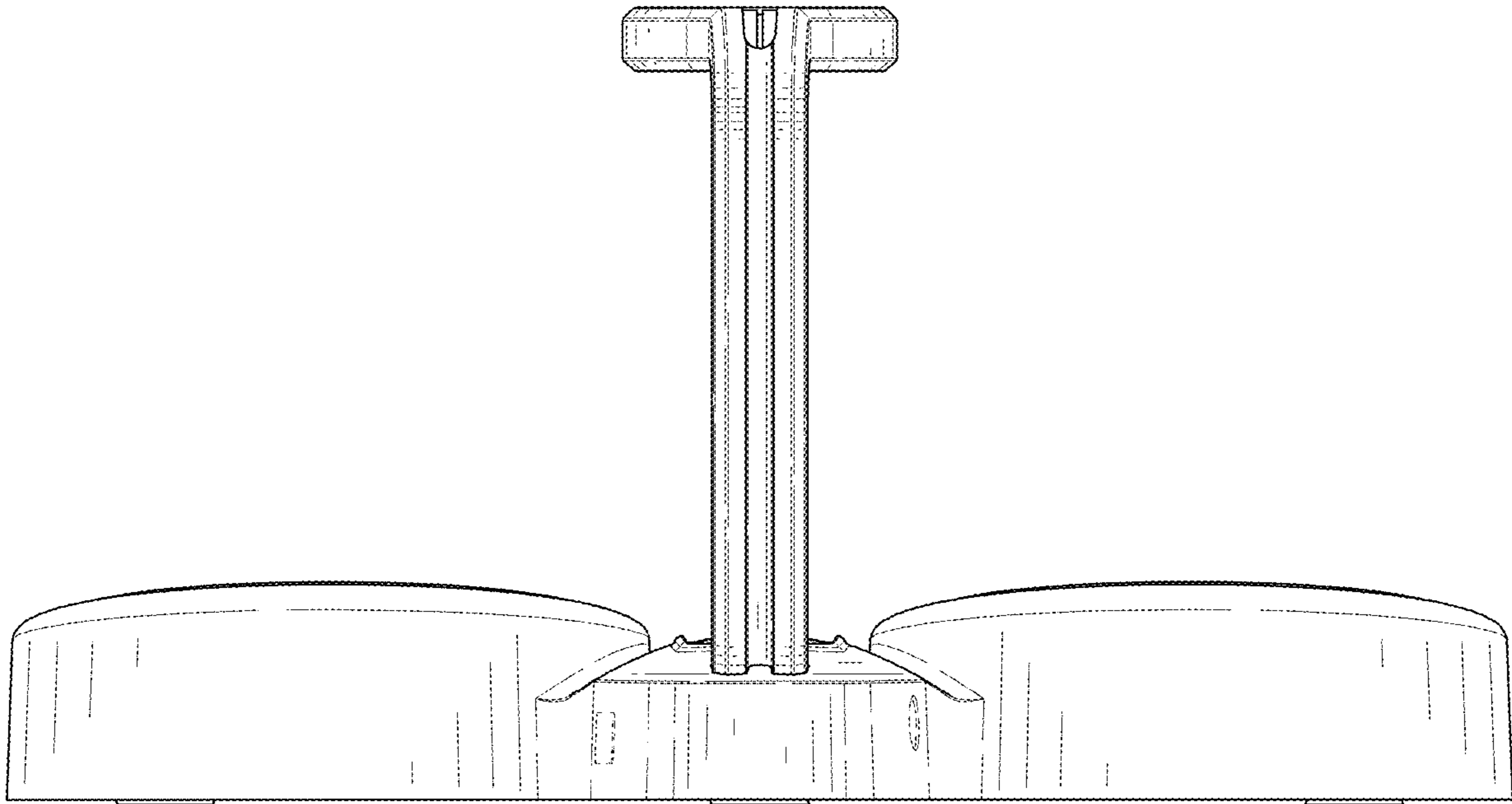


FIG. 4

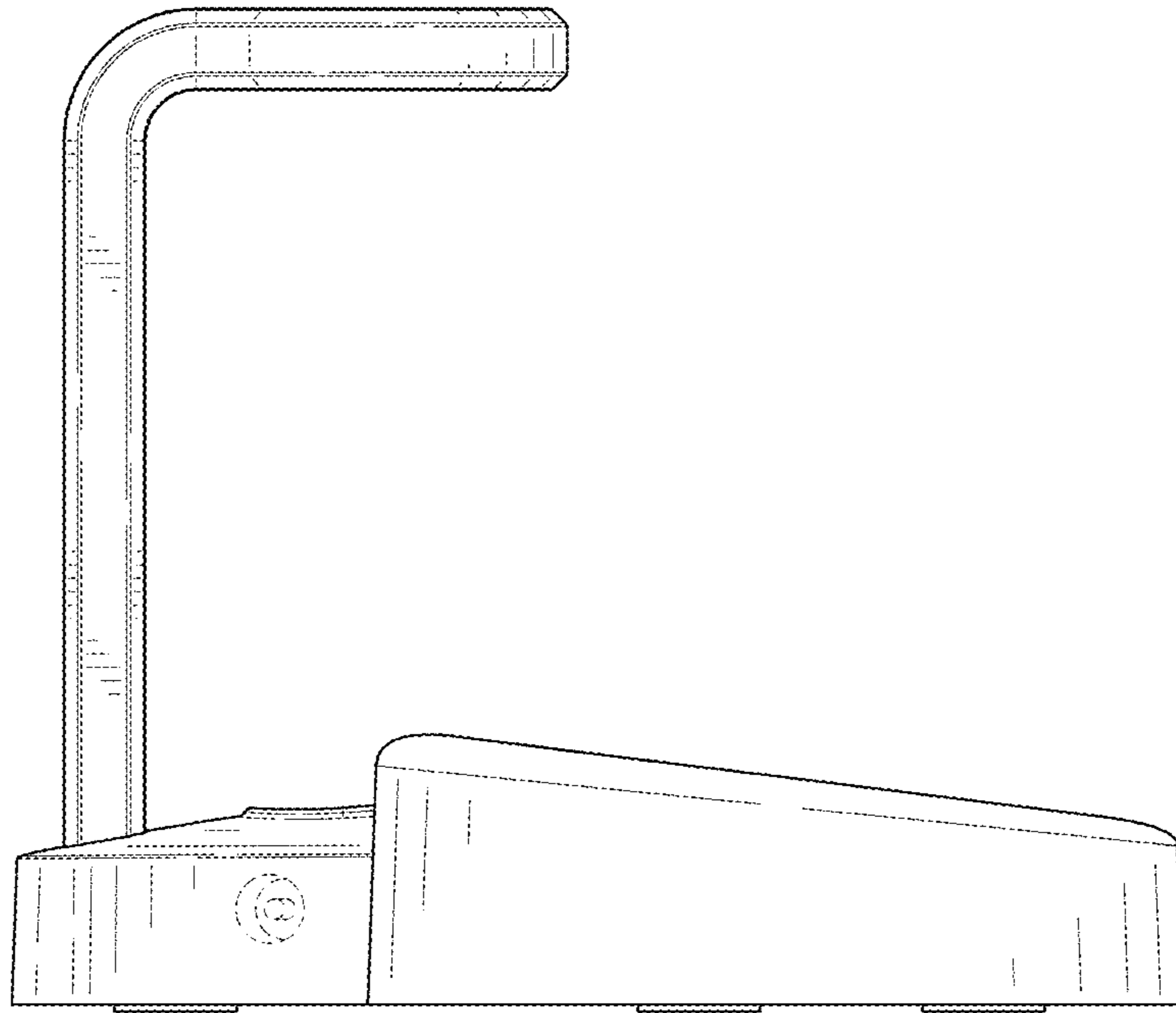


FIG. 5

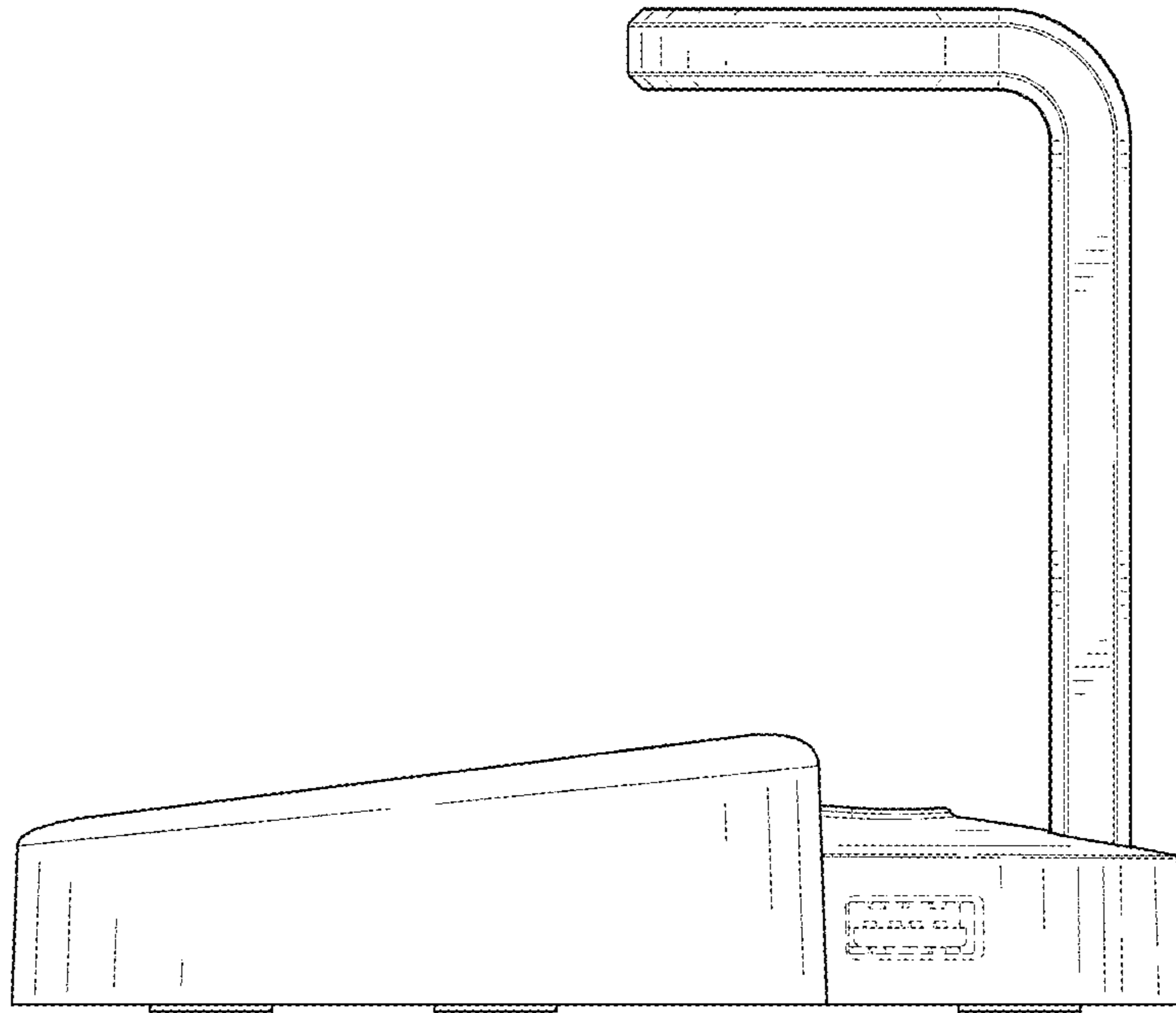


FIG. 6



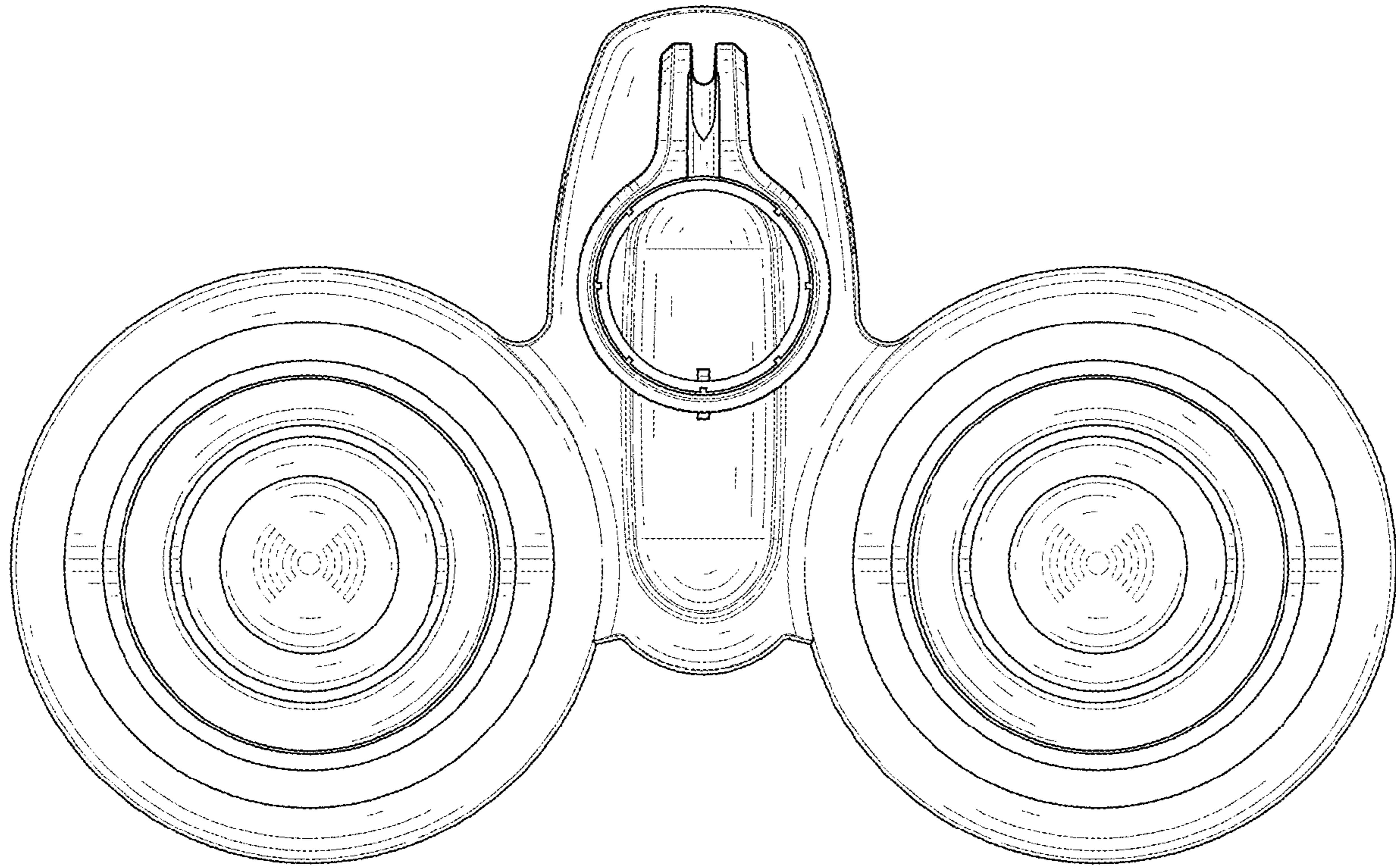


FIG. 7

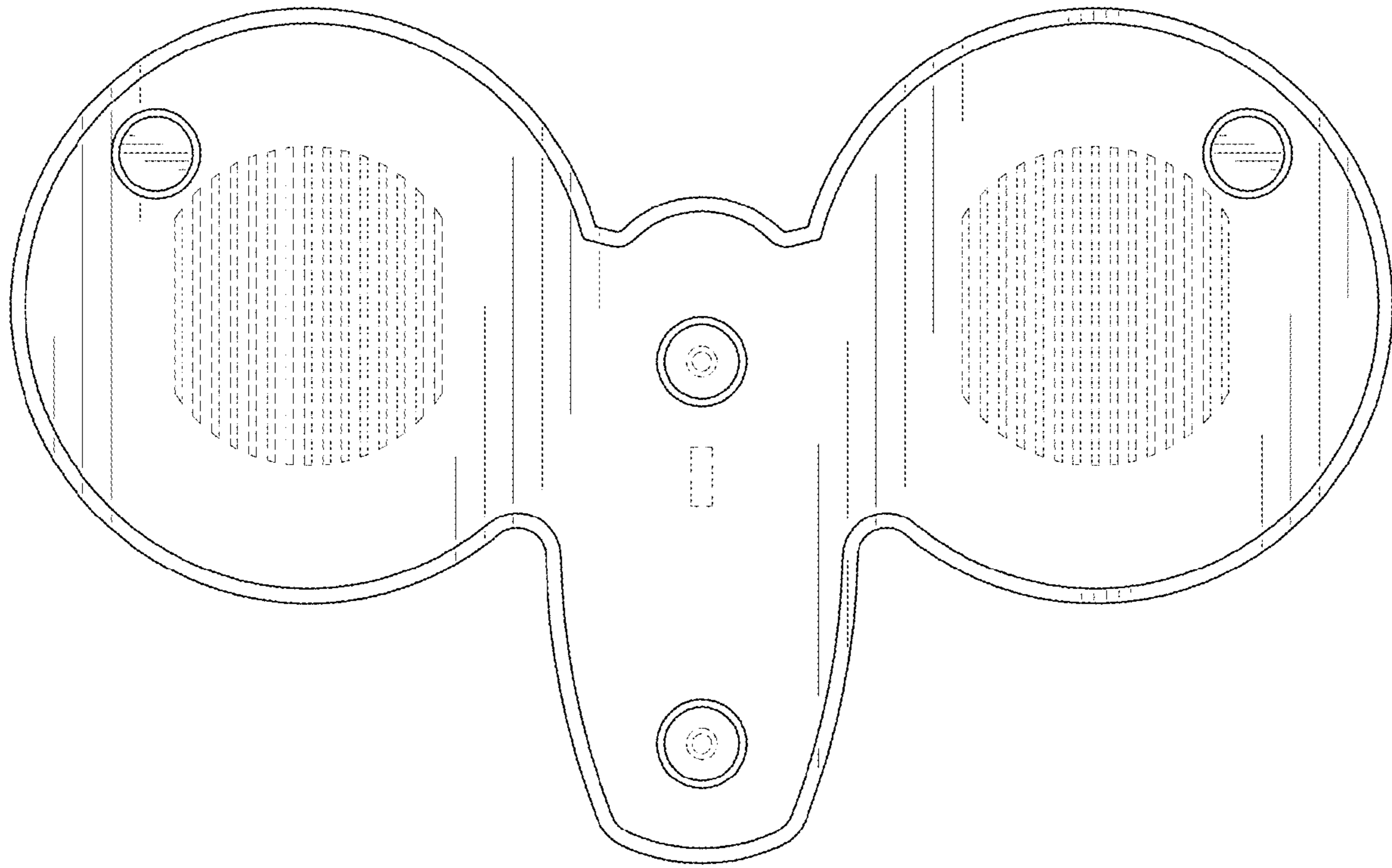


FIG. 8