



US00D920907S

(12) **United States Design Patent**
Cox et al.

(10) **Patent No.:** **US D920,907 S**
(45) **Date of Patent:** **** Jun. 1, 2021**

(54) **DUAL CHARGER WITH SEPARABLE BASE FOR SIMULTANEOUS CHARGING OF CONSUMER ELECTRONIC DEVICES**

www.amazon.com/Ventev-250179-Wireless-Charger-Watchdock/dp/B07NSMBXRG/>, Nov. 17, 2020. 1 page. (Year: 2019).*

(71) Applicant: **Voice Comm, LLC**, Pennsauken, NJ (US)

Primary Examiner — Christy Nemeth

(74) *Attorney, Agent, or Firm* — Katten Muchin Rosenman LLP

(72) Inventors: **Bradley Jeremiah Cox**, Joppa, MD (US); **Nicole Christine Menendez**, Baltimore, MD (US)

(57) **CLAIM**

The ornamental design for a dual charger with separable base for simultaneous charging of consumer electronic devices, as shown and described.

(73) Assignee: **VOICE COMM, LLC**, Pennsauken, NJ (US)

(**) Term: **15 Years**

(21) Appl. No.: **29/711,425**

DESCRIPTION

(22) Filed: **Oct. 31, 2019**

Related U.S. Application Data

(63) Continuation-in-part of application No. 29/682,881, filed on Mar. 8, 2019, now Pat. No. Des. 887,352.

(51) **LOC (13) Cl.** **13-02**

(52) **U.S. Cl.**
USPC **D13/108**

(58) **Field of Classification Search**
USPC D13/103, 107–110, 118, 119, 146, 147, D13/153, 155, 184, 199, 154; D32/31; D8/356, 358

(Continued)

(56) **References Cited**

U.S. PATENT DOCUMENTS

10,348,109 B2 7/2019 Loewen
D859,415 S * 9/2019 Liao D14/434

(Continued)

OTHER PUBLICATIONS

Amazon.com: Ventev Wireless Charger Watchdock Duo. Date First Available of Mar. 27, 2019. Retrieved from the internet at <https://

FIG. 1 is a front, top, right perspective view of a dual charger with separable base for simultaneous charging of consumer electronic devices, shown in an assembled configuration; FIG. 2 is another front, top, right perspective view thereof, shown in another assembled configuration, and shown in an environment of use; FIG. 3 is a front, top, right perspective view of the base portion, shown separately to show aspects of the design that are not visible when in an assembled configuration; FIG. 4 is a front, top, right perspective view of the cup portion, shown separately to show aspects of the design that are not visible when in an assembled configuration; FIG. 5 is a front view of the dual charger, shown in an assembled configuration; FIG. 6 is a back view thereof; FIG. 7 is a top view thereof; FIG. 8 is a left side view, the right side view being a mirror image thereof; FIG. 9 is a bottom view thereof; FIG. 10 is a front view of the base portion, shown separately to show aspects of the design that are not visible when in an assembled configuration; FIG. 11 is a back view thereof; FIG. 12 is a top view thereof; FIG. 13 is a left side view, the right side view being a mirror image thereof;

(Continued)

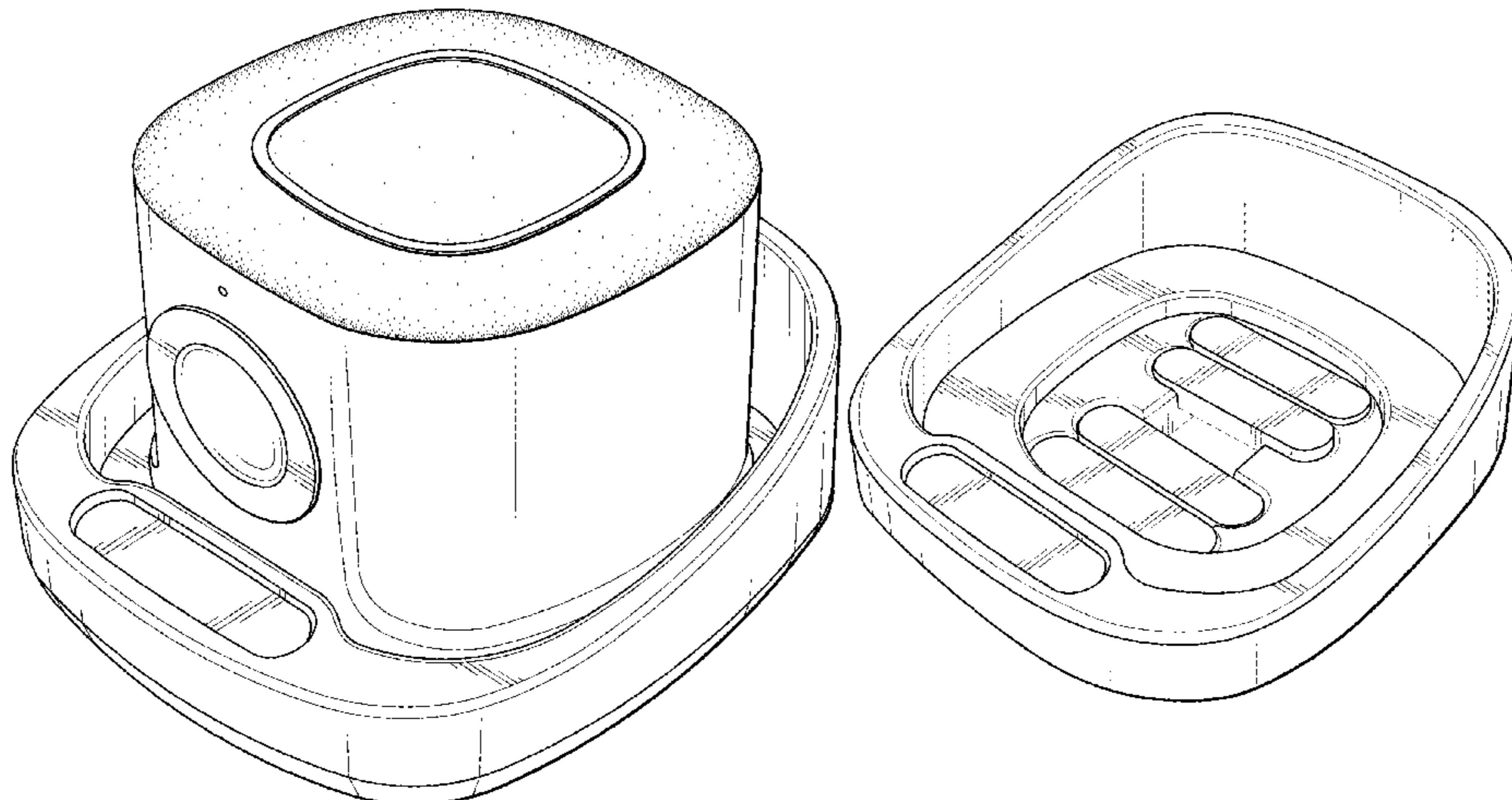


FIG. 14 is a bottom view thereof;
FIG. 15 is a front view of the cup portion, shown separately to show aspects of the design that are not visible when in an assembled configuration;
FIG. 16 is a back view thereof;
FIG. 17 is a top view thereof;
FIG. 18 is a left side view, the right side view being a mirror image thereof;
FIG. 19 is a bottom view thereof;
FIG. 20 is an exploded front, top, right perspective view of the cup portion, shown with the spacer bars in a disassembled configuration;
FIG. 21 is a front, top, right perspective view of the cup portion, shown with the spacer bars in an assembled configuration; and,
FIG. 22 is a front, top, right perspective view of the dual charger, shown in the assembled configuration of FIG. 21, and shown in an environment of use.
The broken lines illustrating a phone and a watch are for the purpose of illustrating environmental subject matter and form no part of the claimed design. The remaining broken lines are for the purpose of illustrating portions of the article that form no part of the claimed design.

1 Claim, 17 Drawing Sheets

(58) **Field of Classification Search**

CPC Y02E 60/12; H02J 7/025; H02J 7/0042;
H02J 7/0044; H02J 7/0045; H02J 7/0003;
H02J 7/0027; H02J 7/0013; H02J 7/0054;
H02J 7/00; H02J 2001/008; H02J 3/32;
H02J 3/008; H01F 38/14; H01R 13/6675;
H01M 2/1022; H01M 2/1055; H01M
10/44; H01M 10/46; H01M 10/425; B60L
11/182; B60L 11/1809; B60L 11/1861;
B60R 16/03

See application file for complete search history.

(56) **References Cited**

U.S. PATENT DOCUMENTS

D873,769	S	*	1/2020	Jayasiri	D13/108
D887,352	S	*	6/2020	Cushing	D13/108
D887,974	S	*	6/2020	Chen	D13/108
D894,122	S	*	8/2020	Ye	D13/108
2018/0219392	A1		8/2018	Dittrich	

* cited by examiner

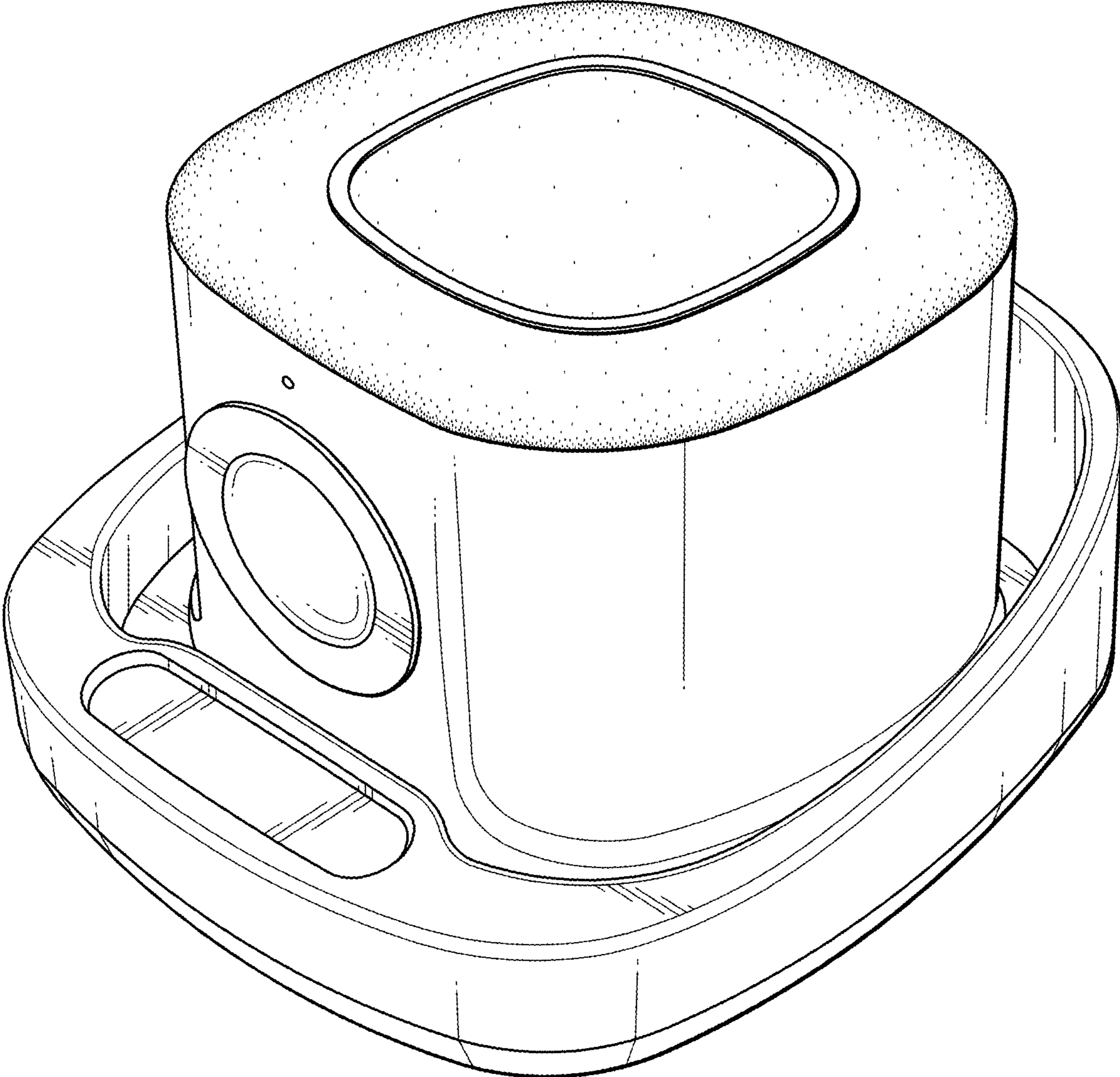


FIG. 1

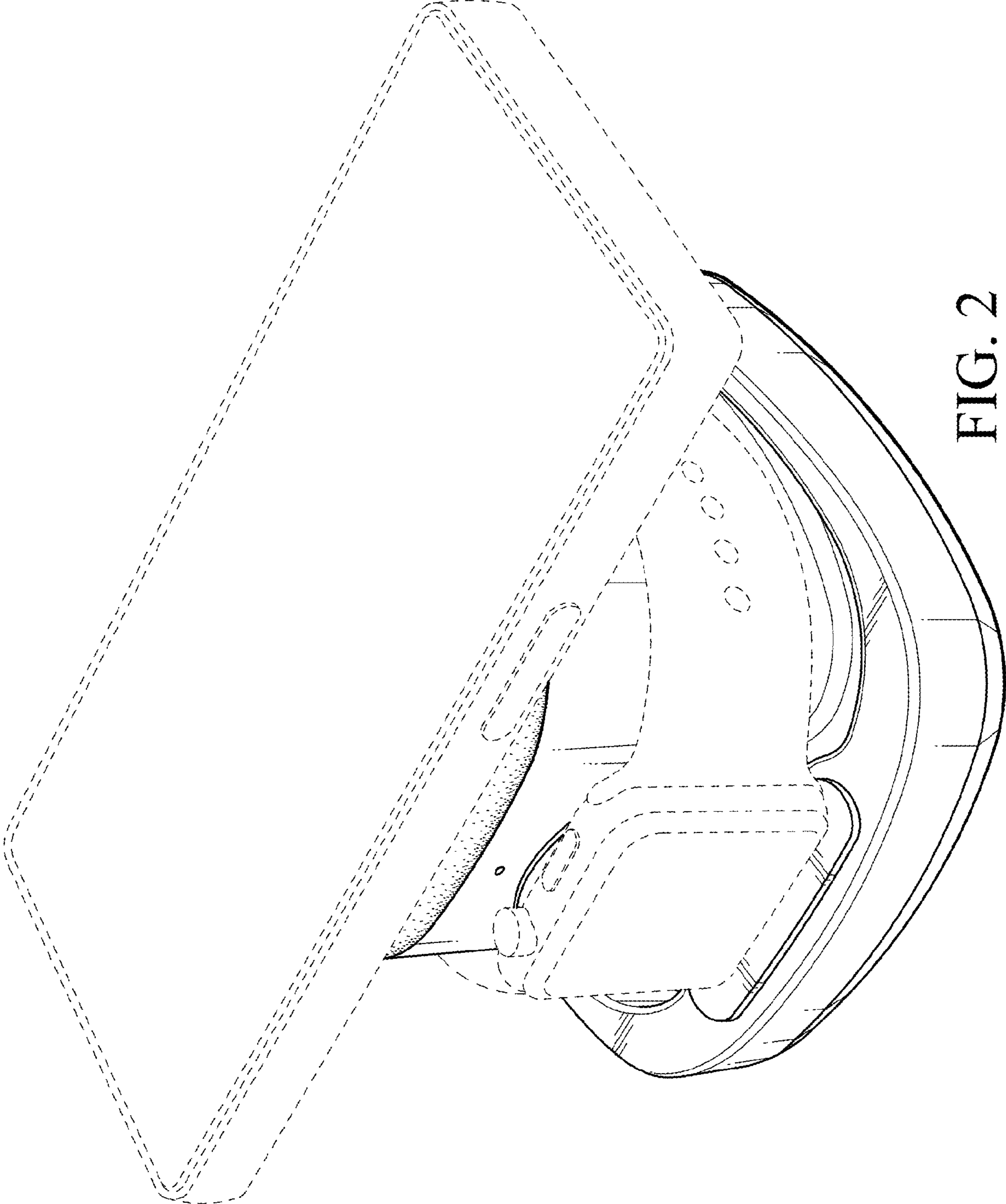


FIG. 2

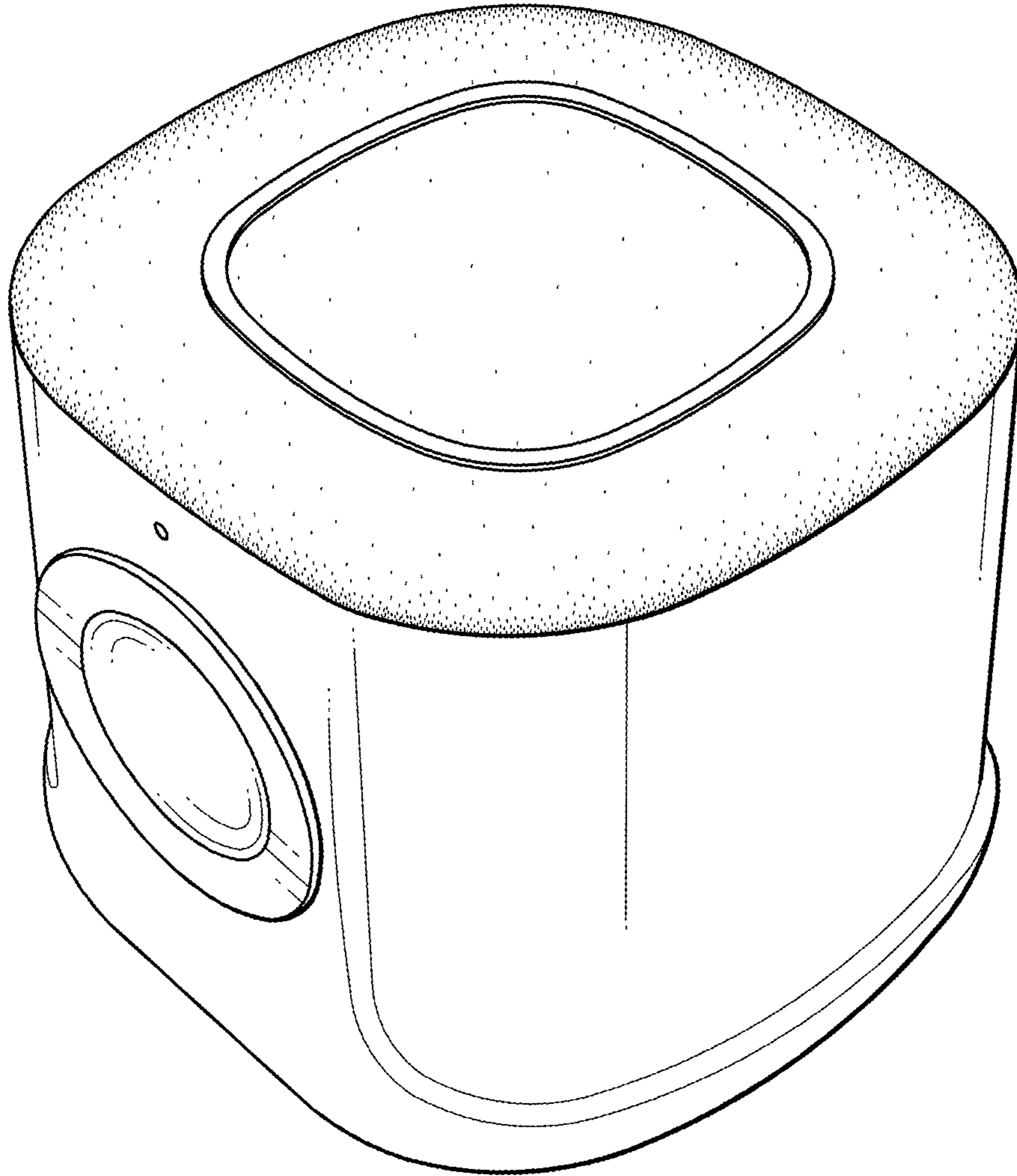


FIG. 3

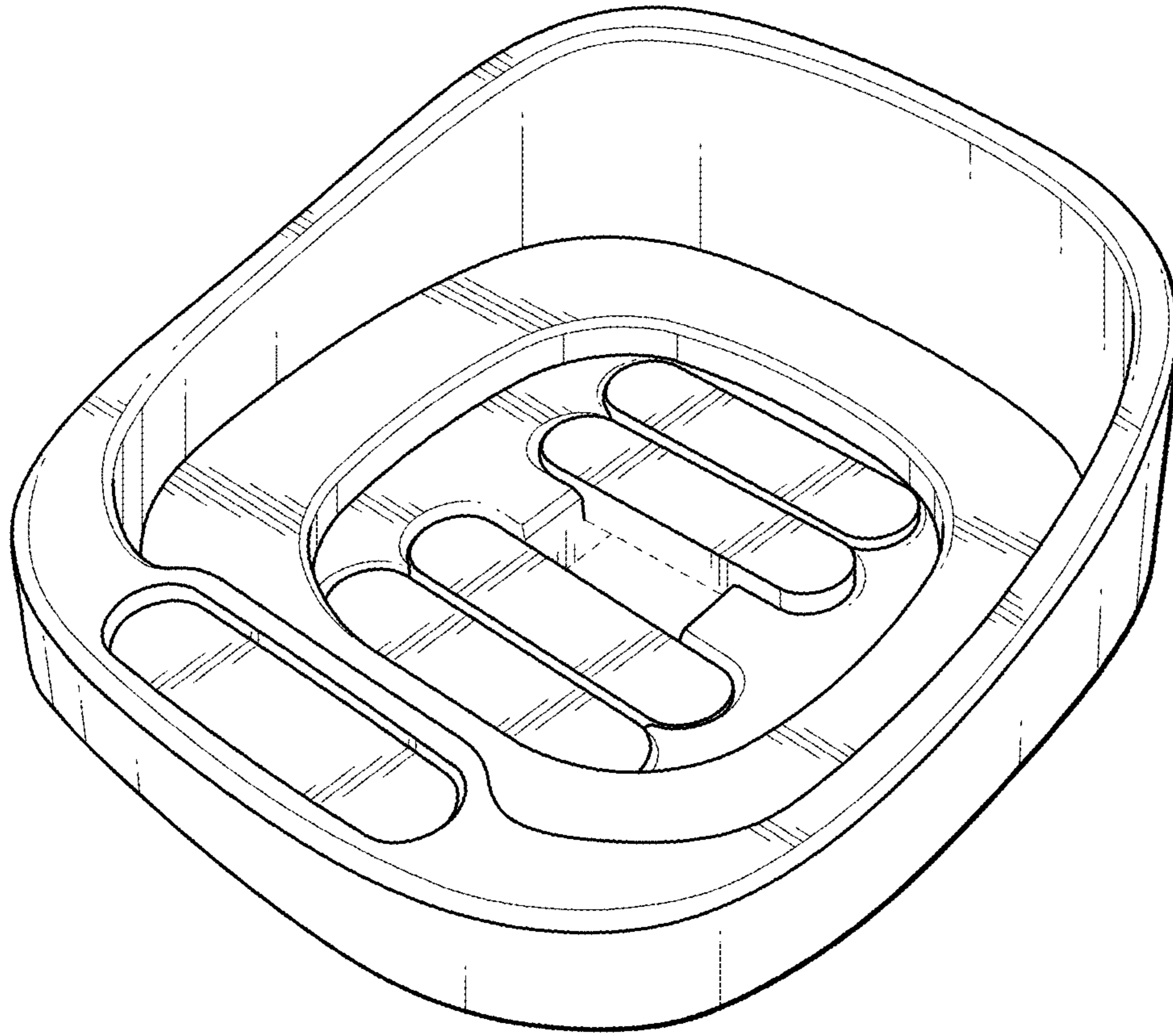


FIG. 4

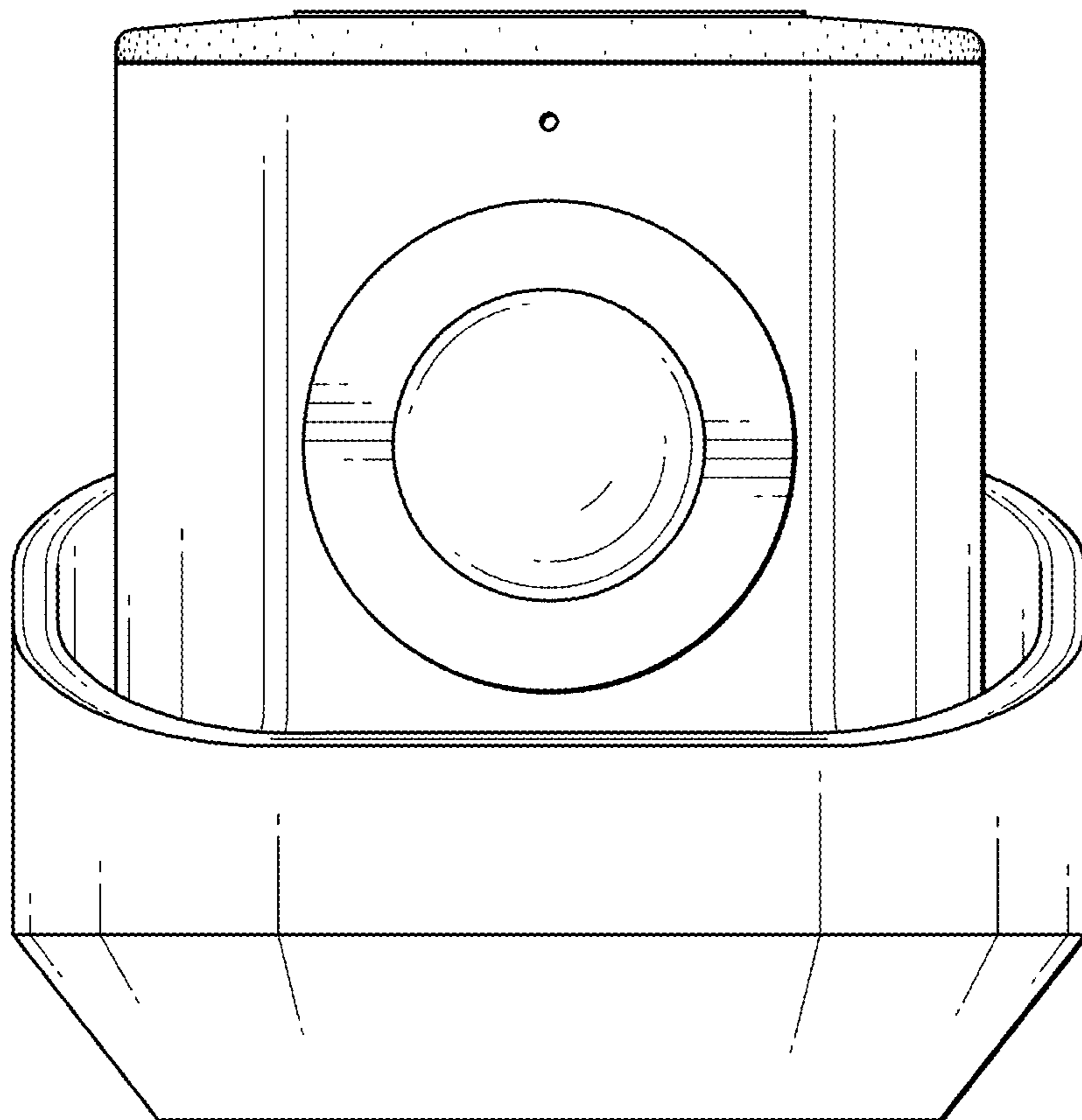


FIG. 5

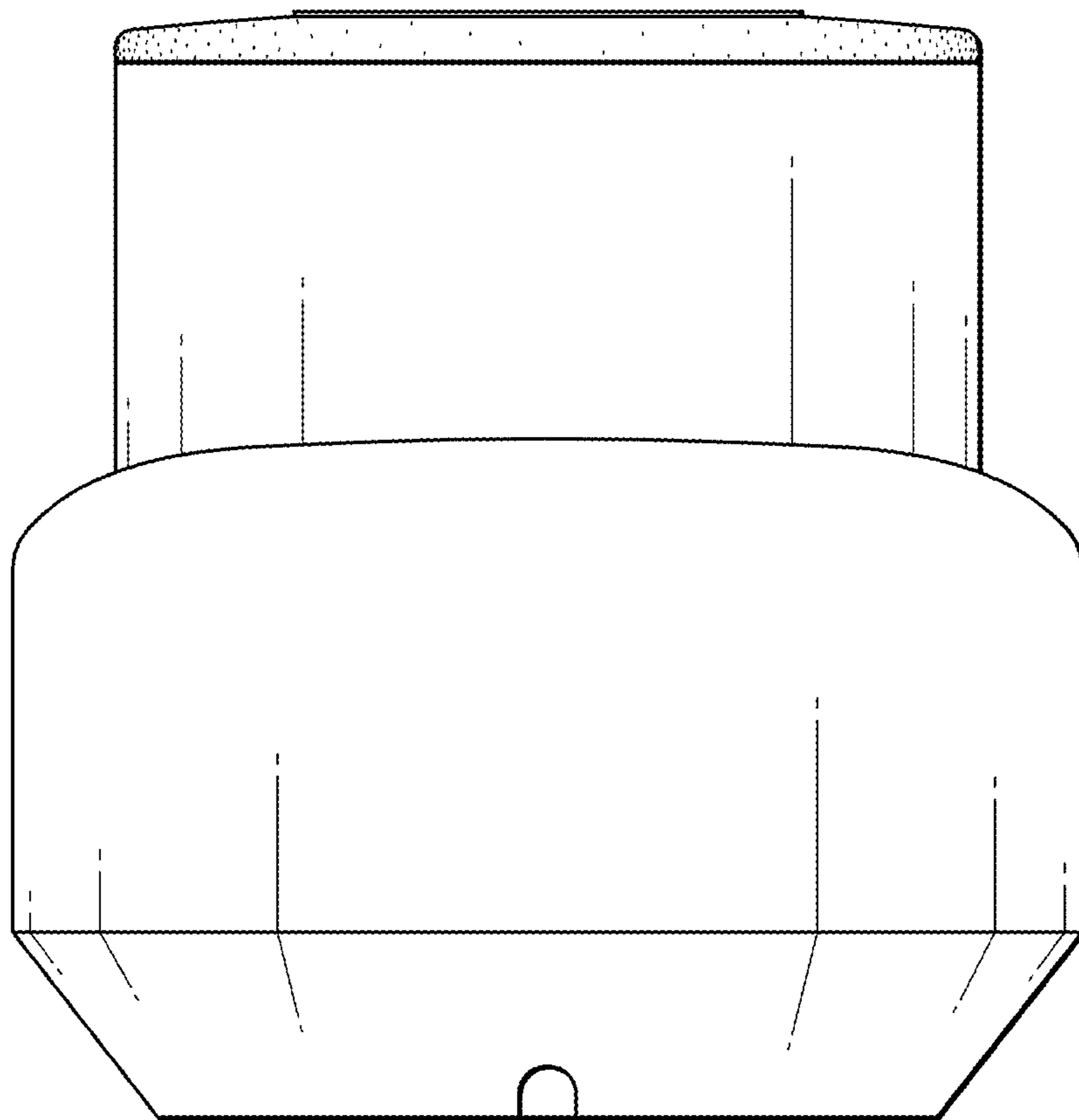


FIG. 6

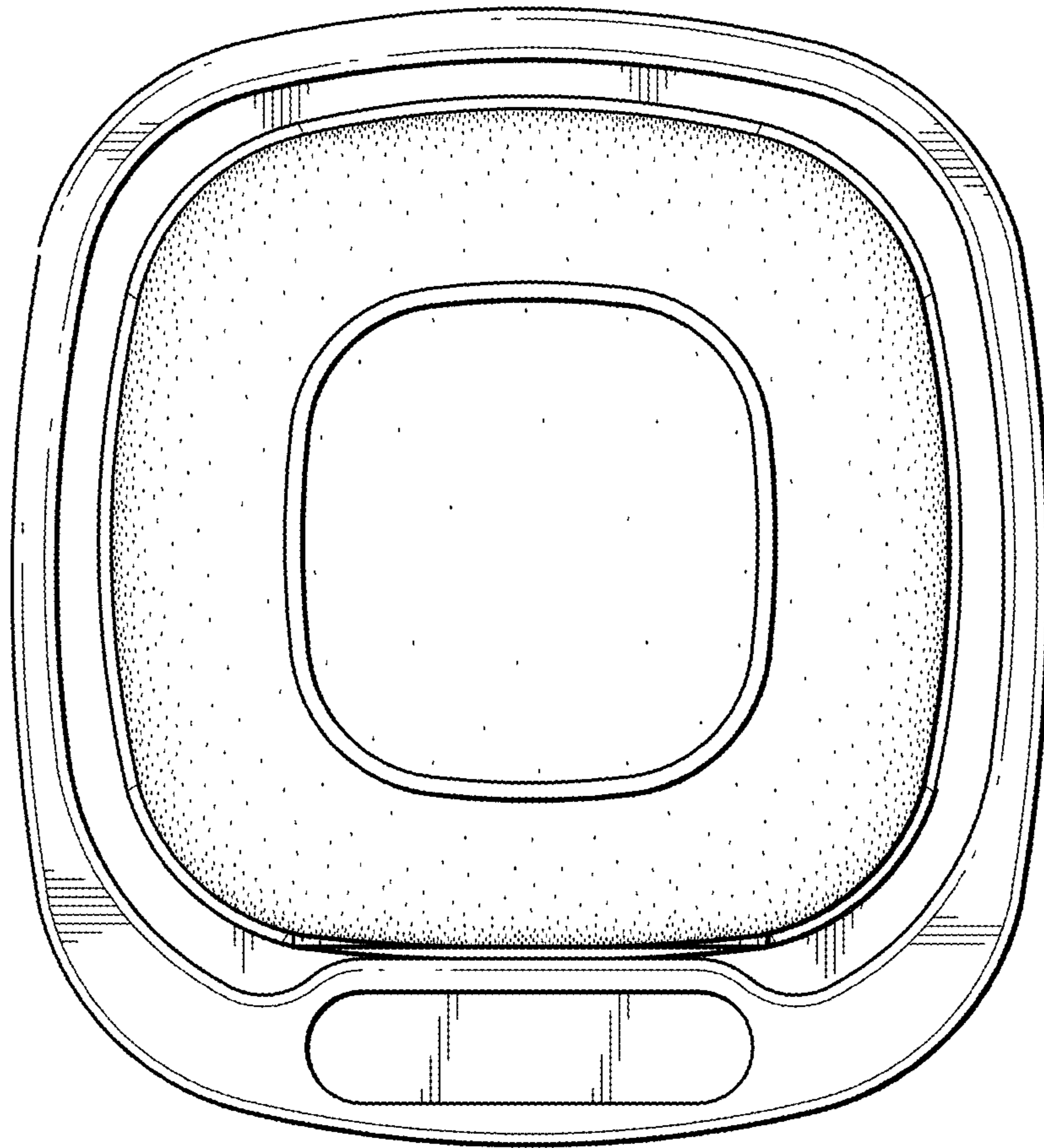


FIG. 7

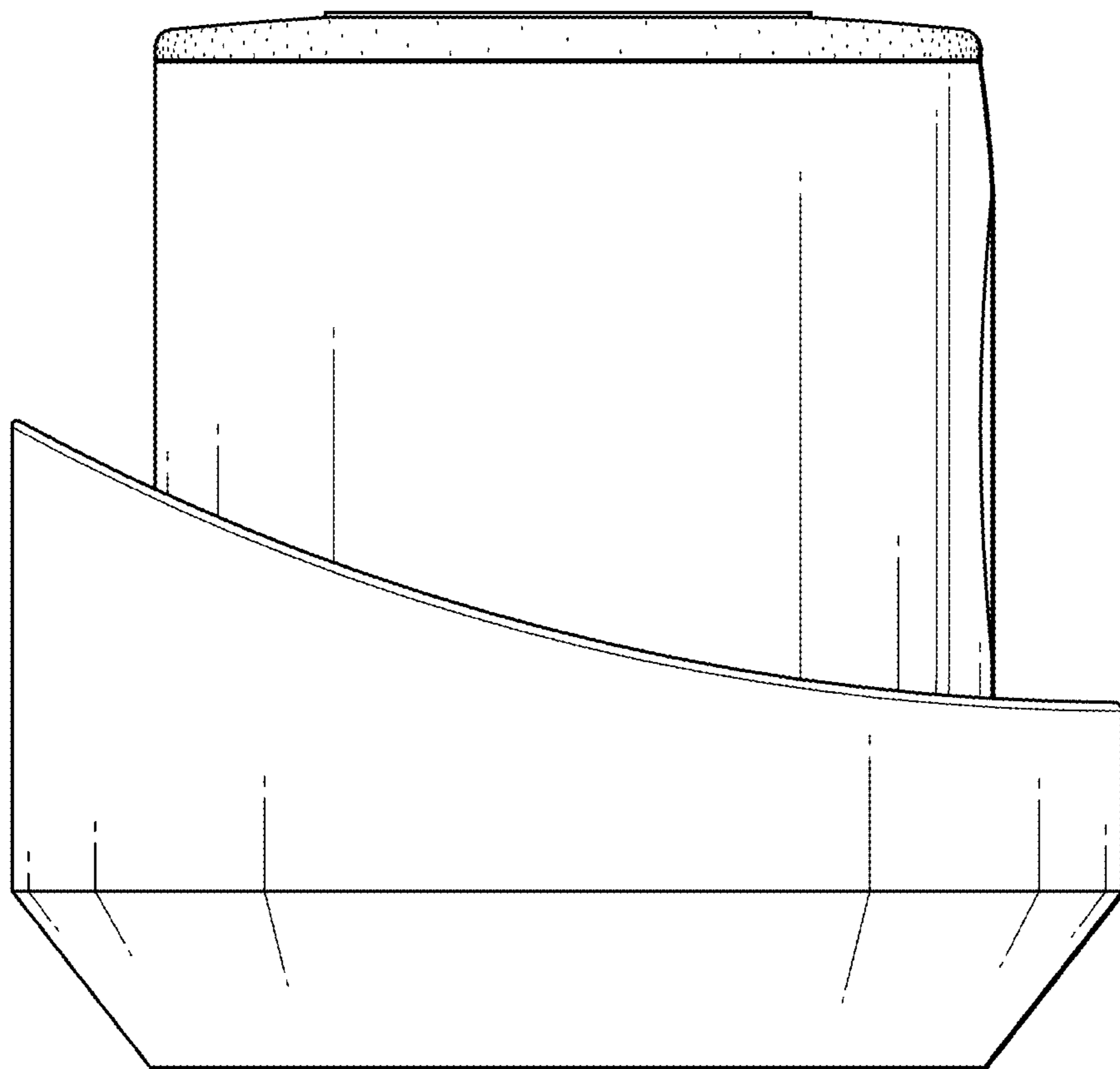


FIG. 8

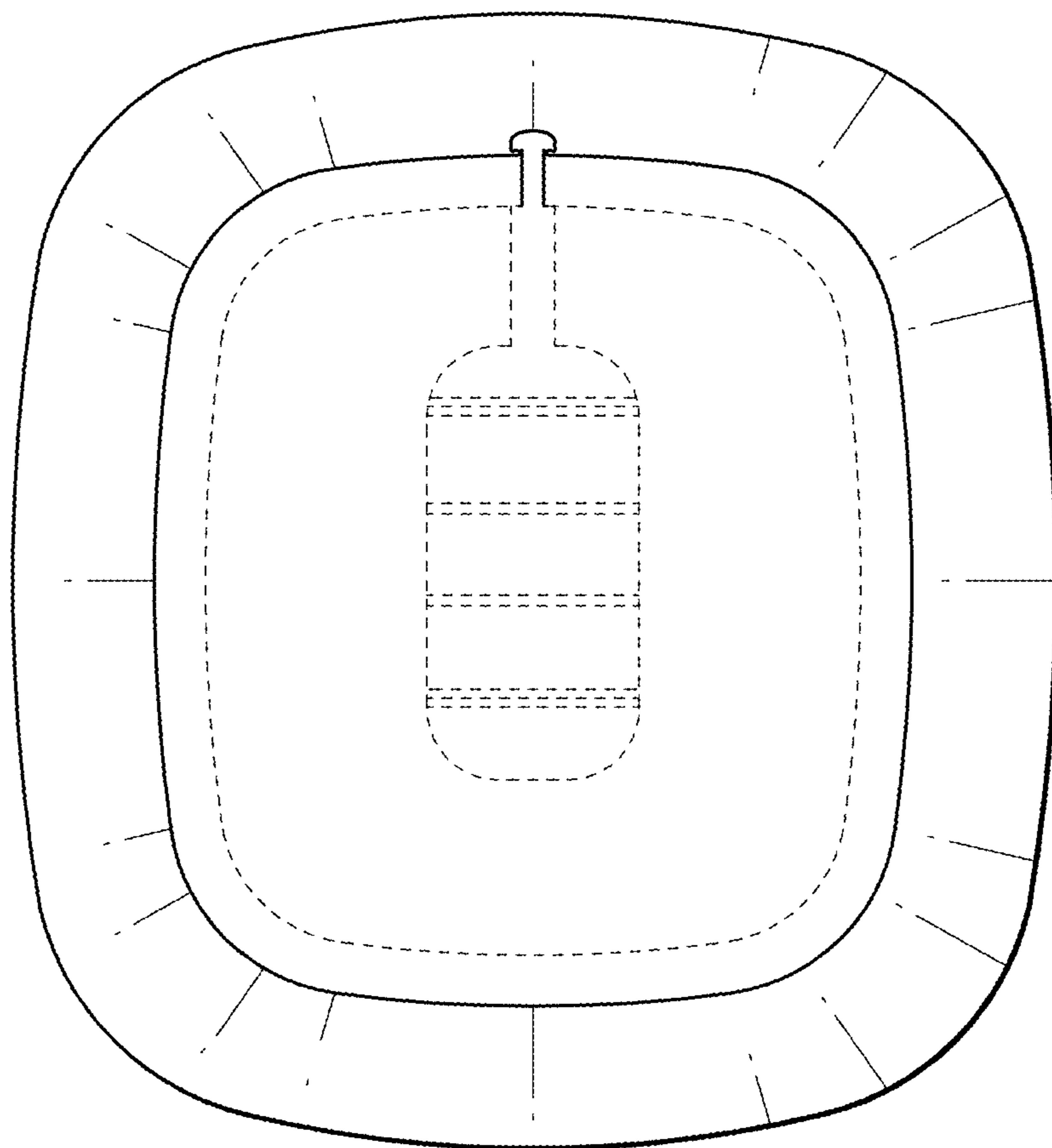


FIG. 9

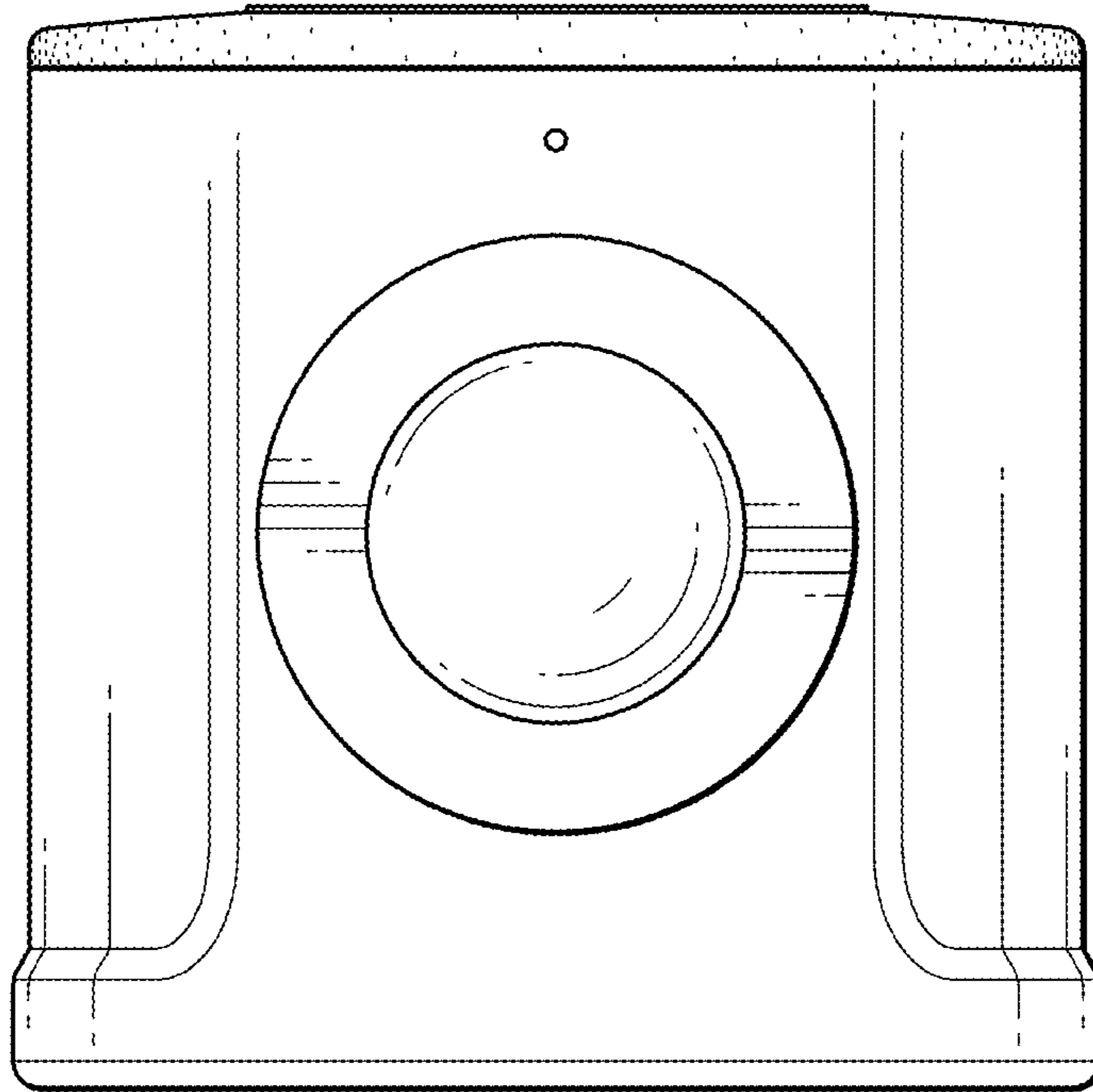


FIG. 10

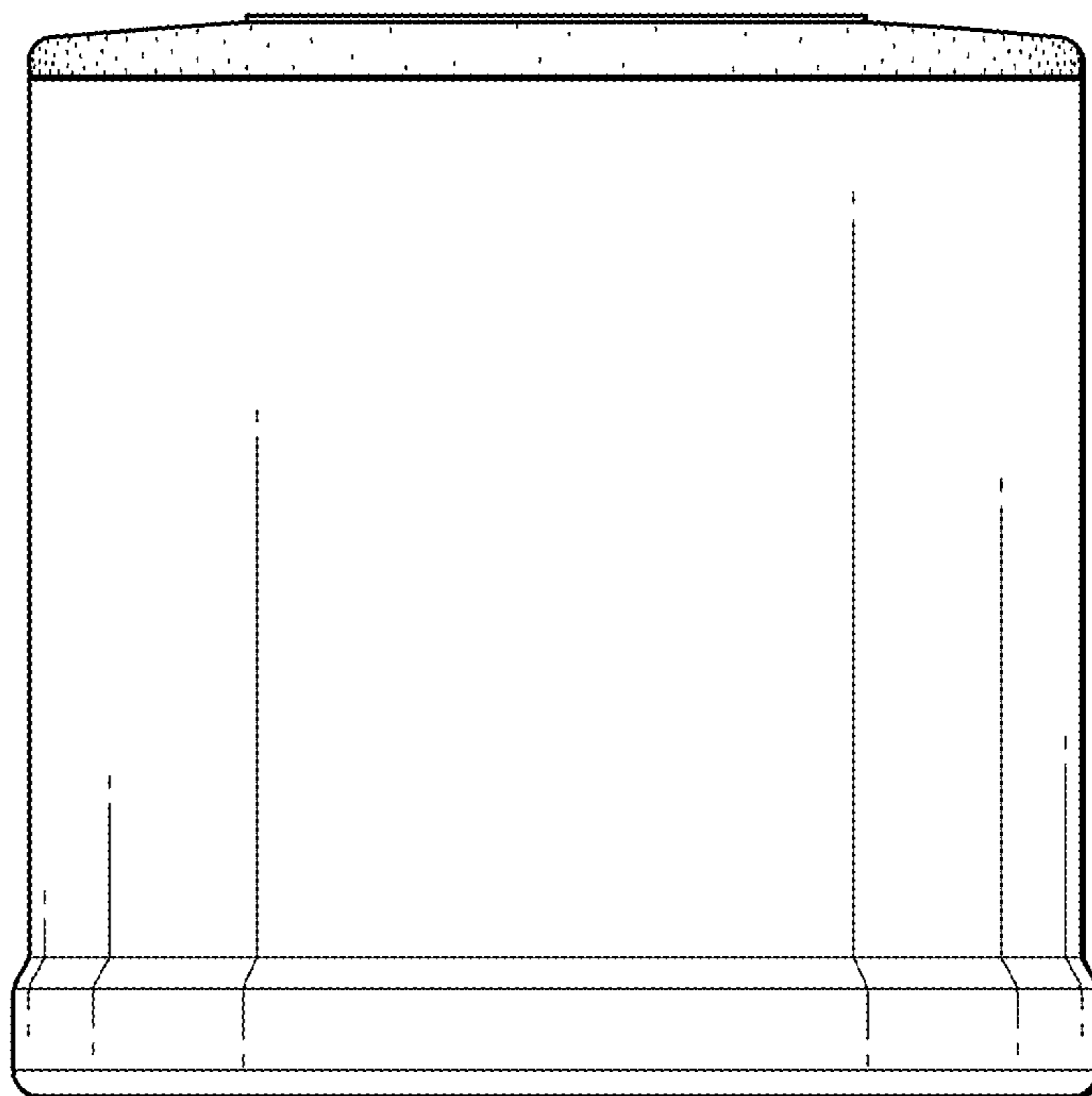


FIG. 11

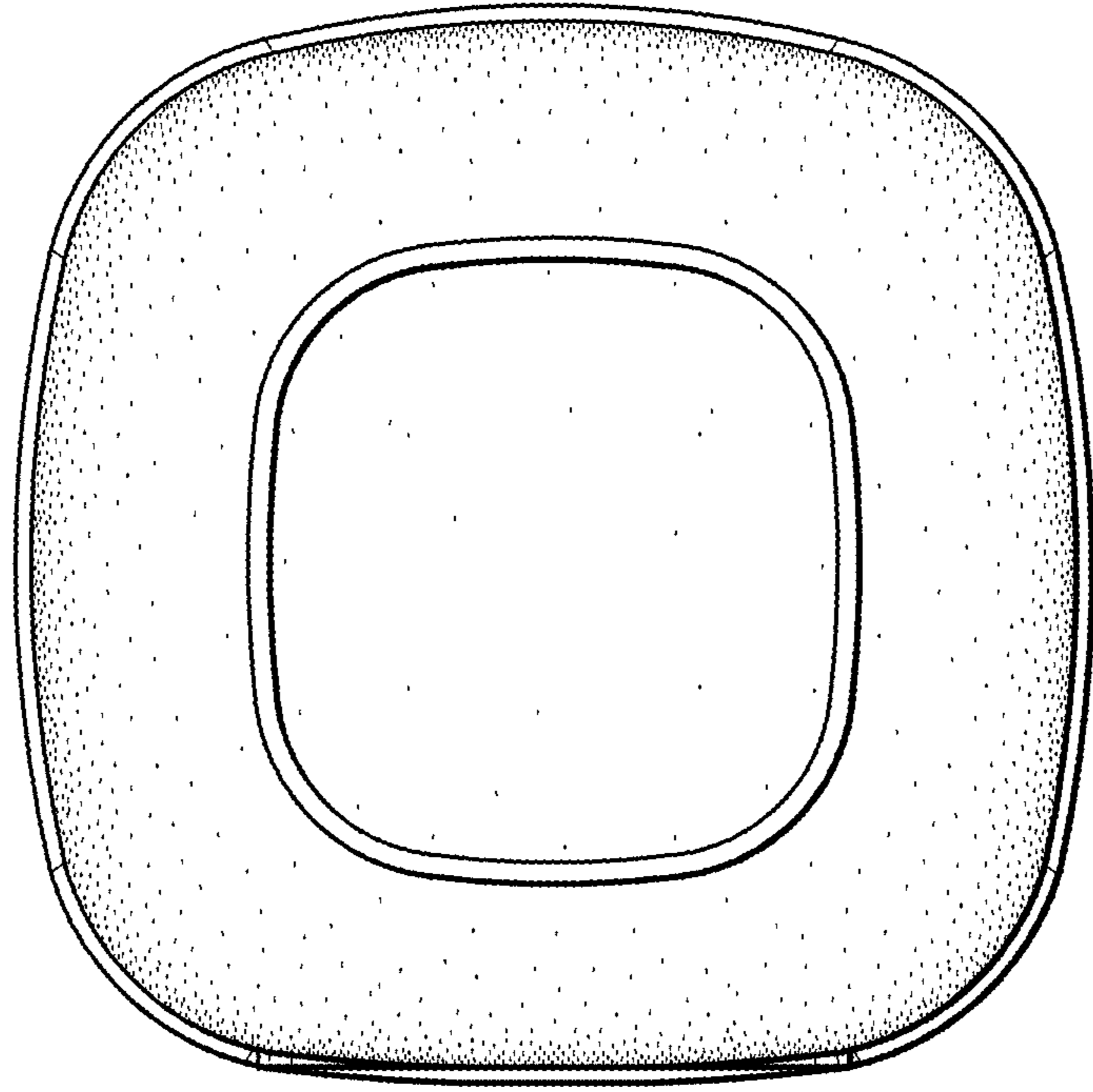


FIG. 12

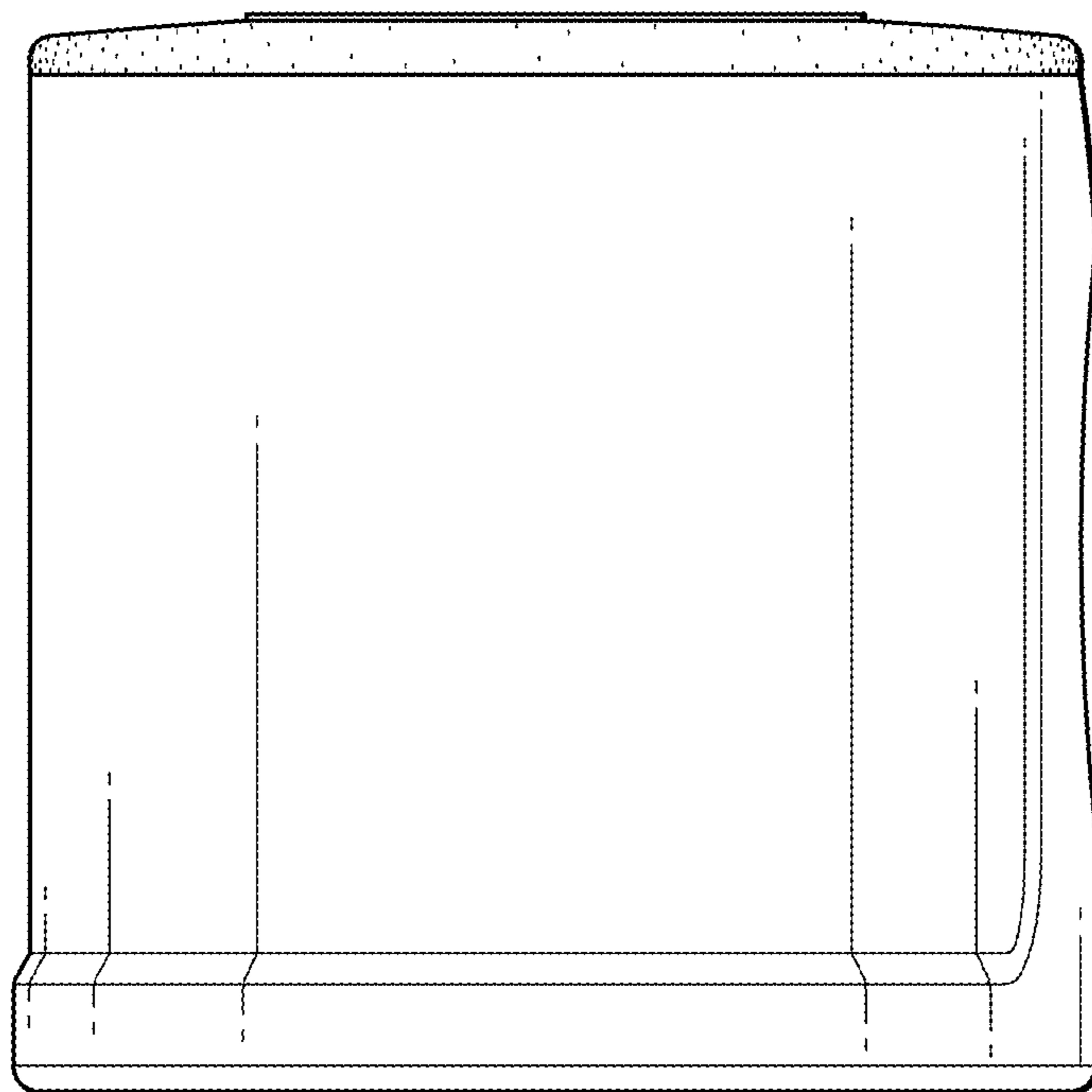


FIG. 13

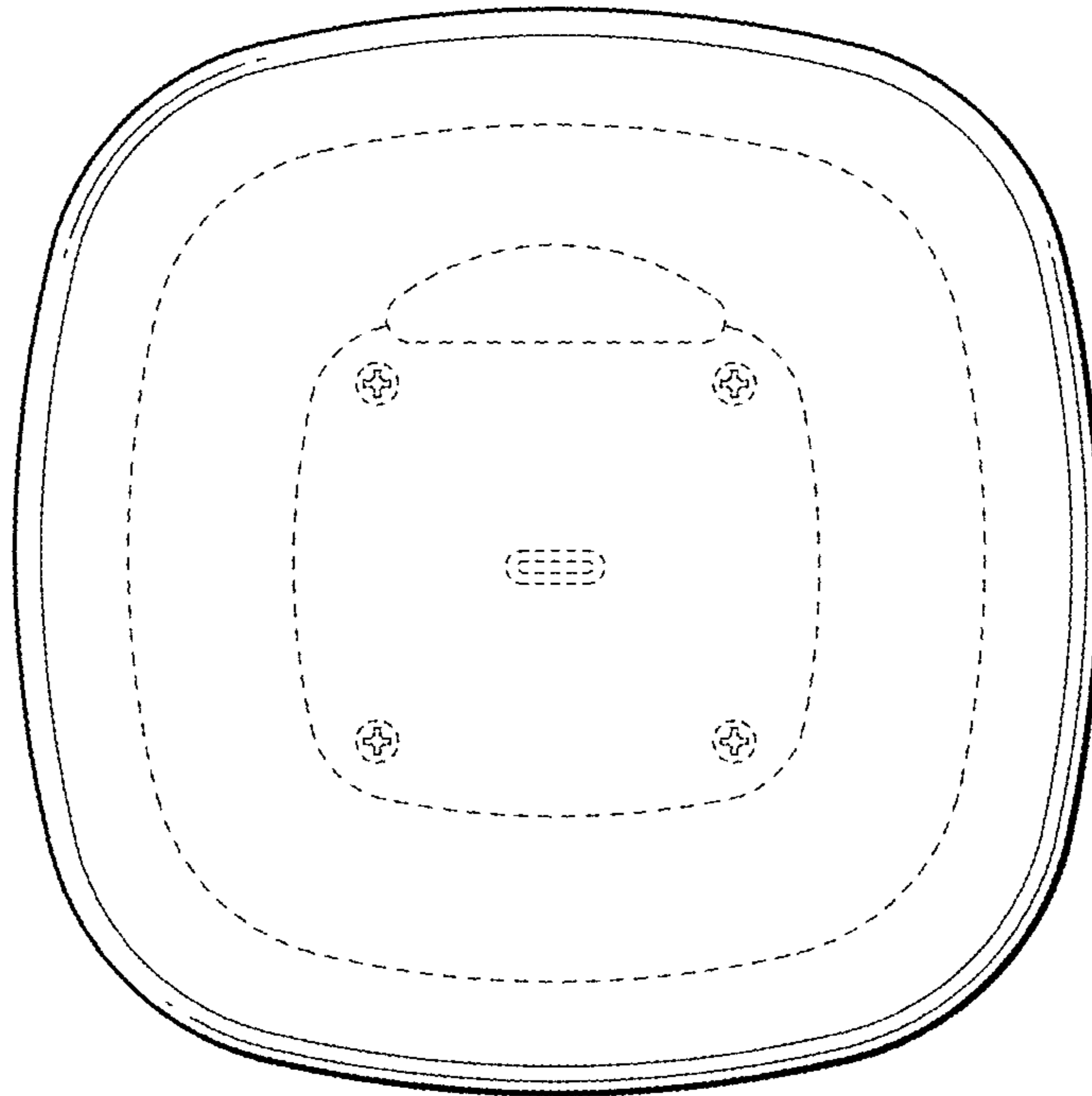


FIG. 14

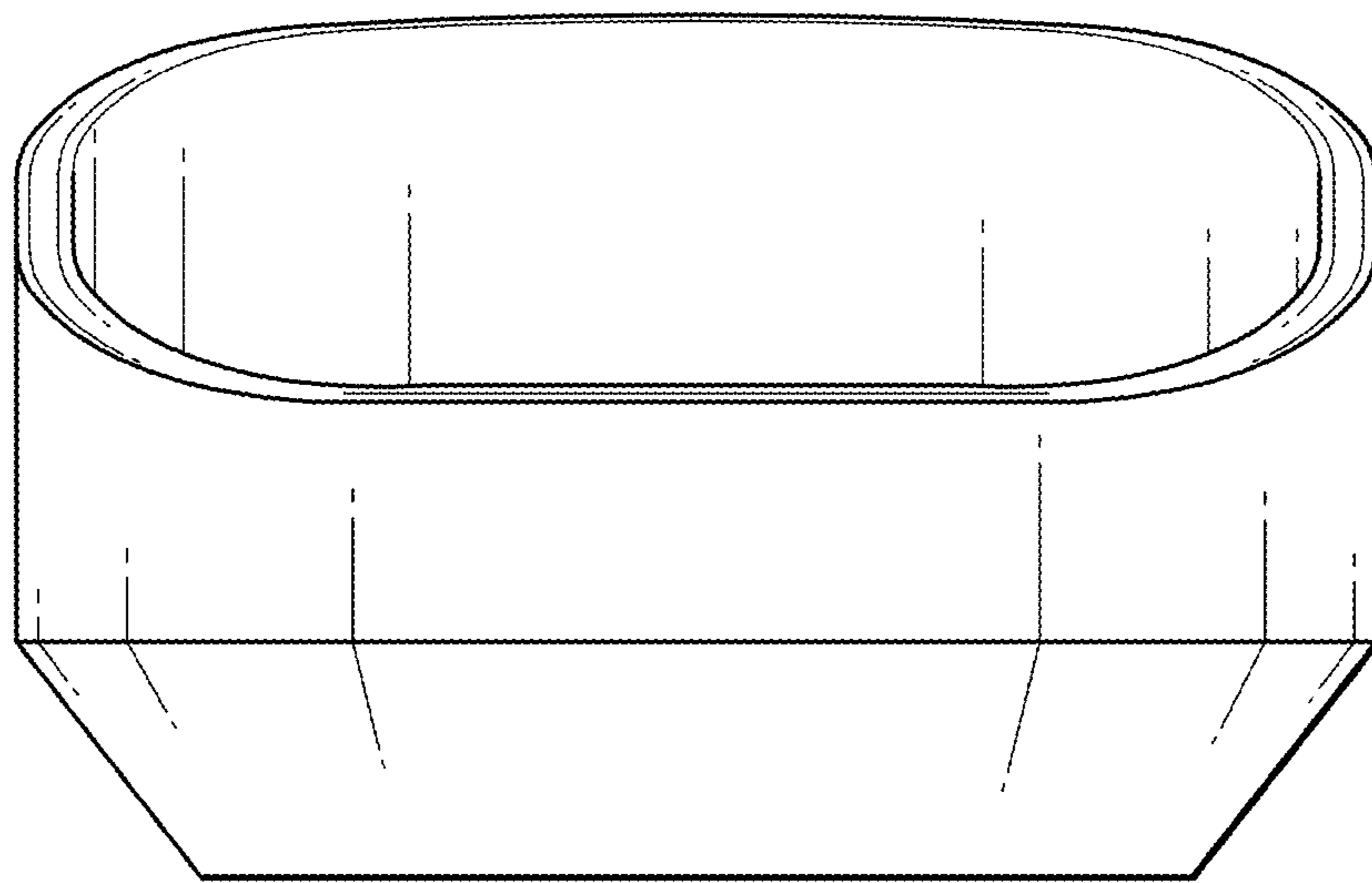


FIG. 15

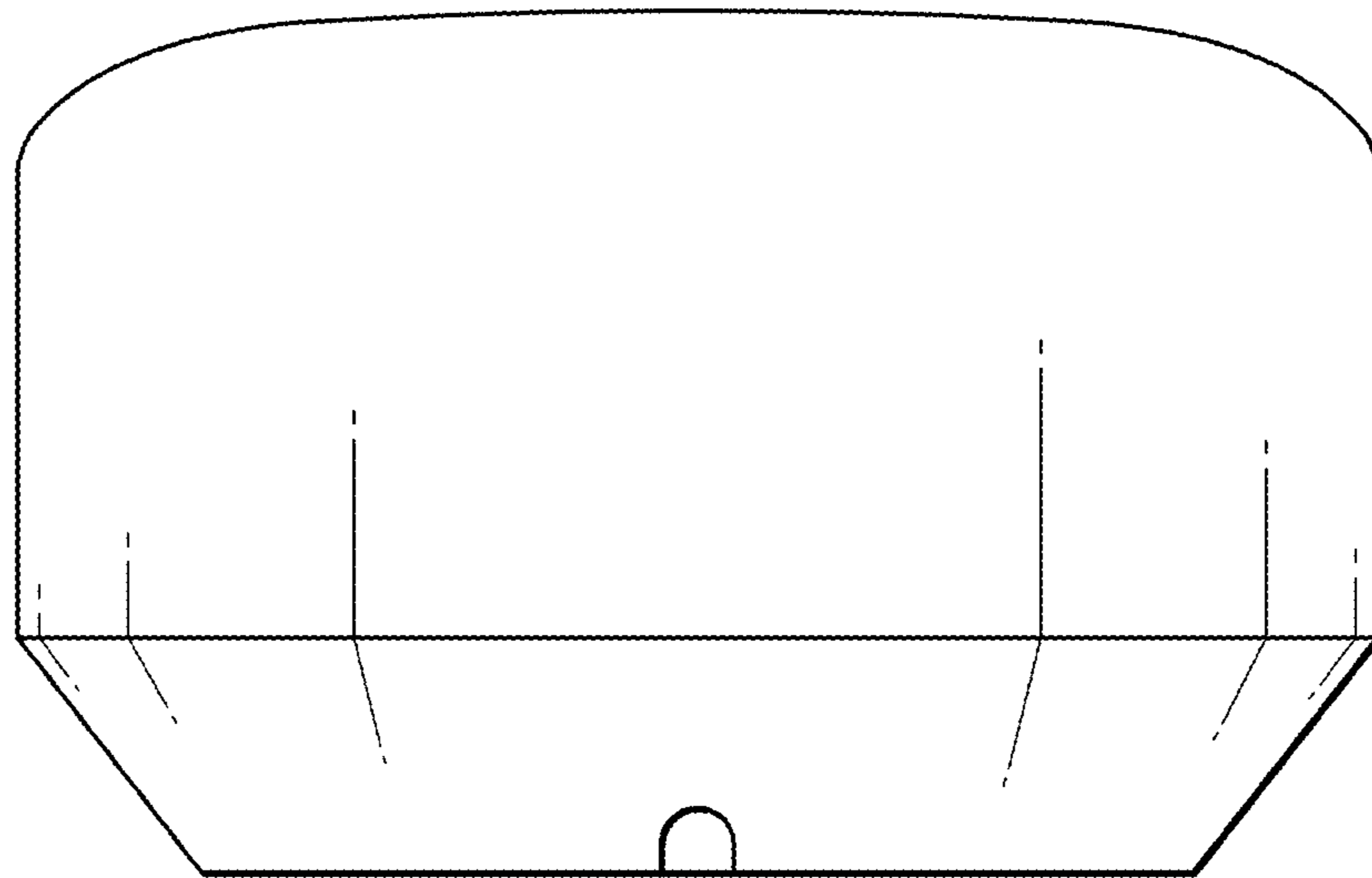


FIG. 16

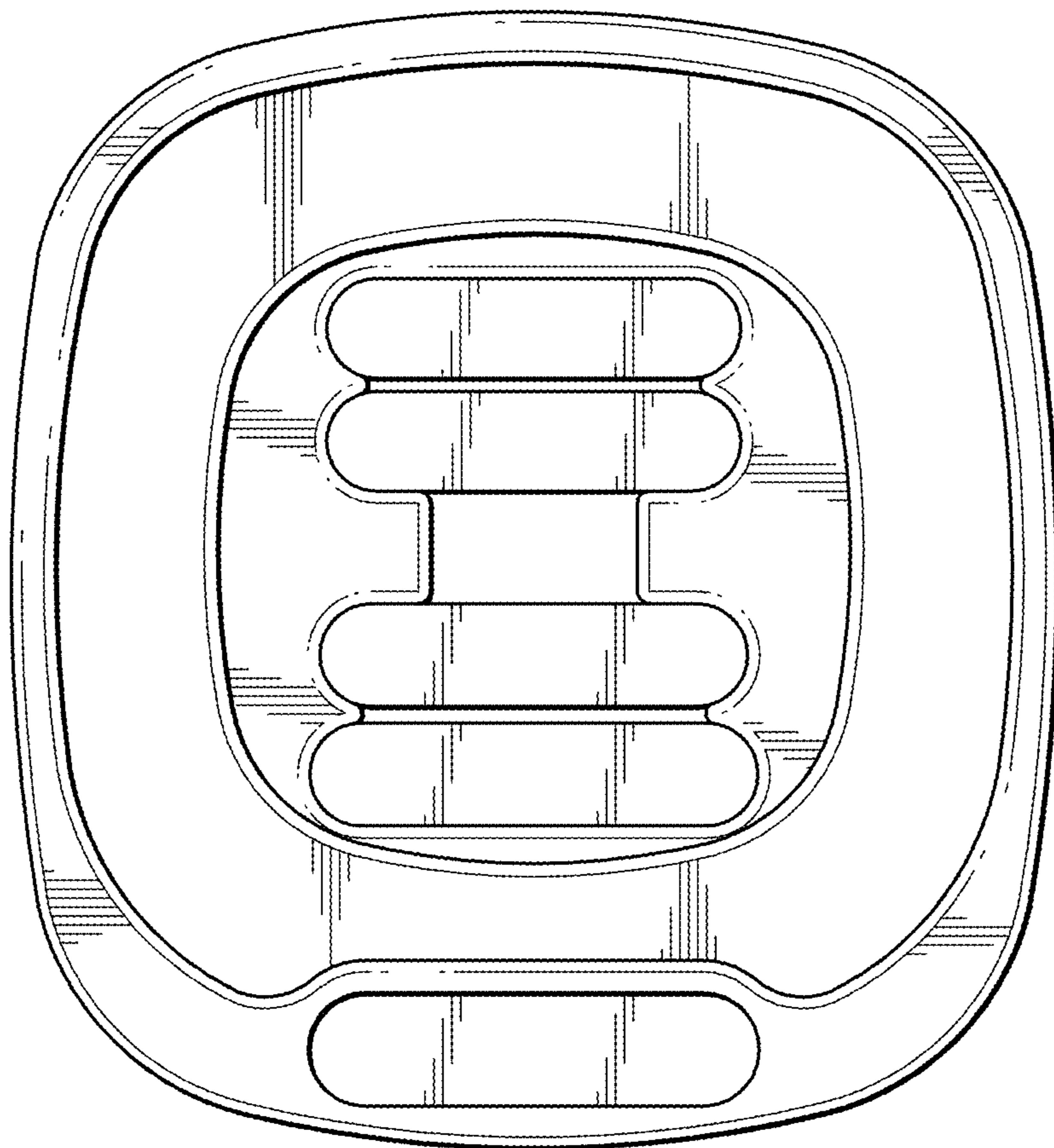


FIG. 17

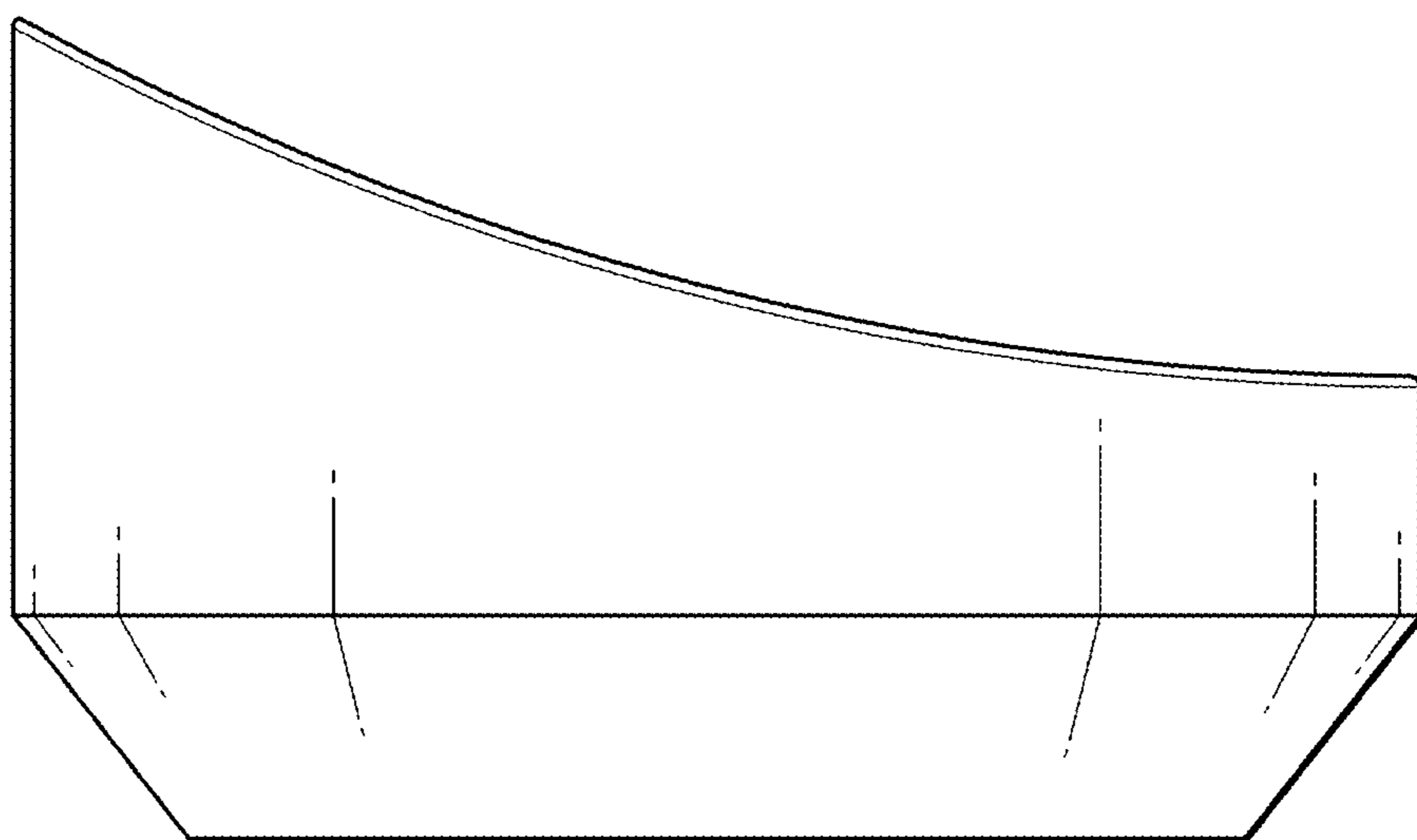


FIG. 18

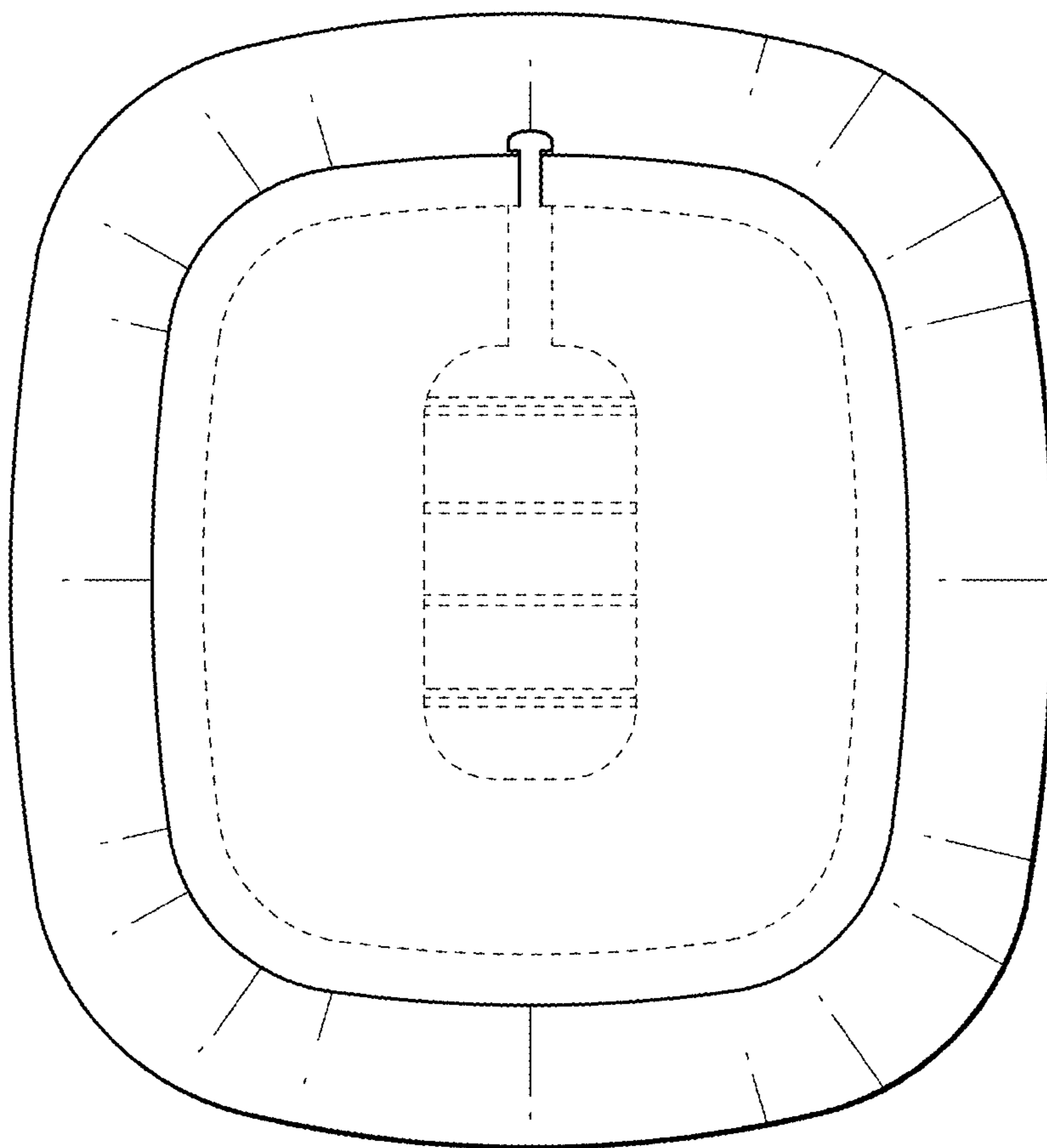


FIG. 19

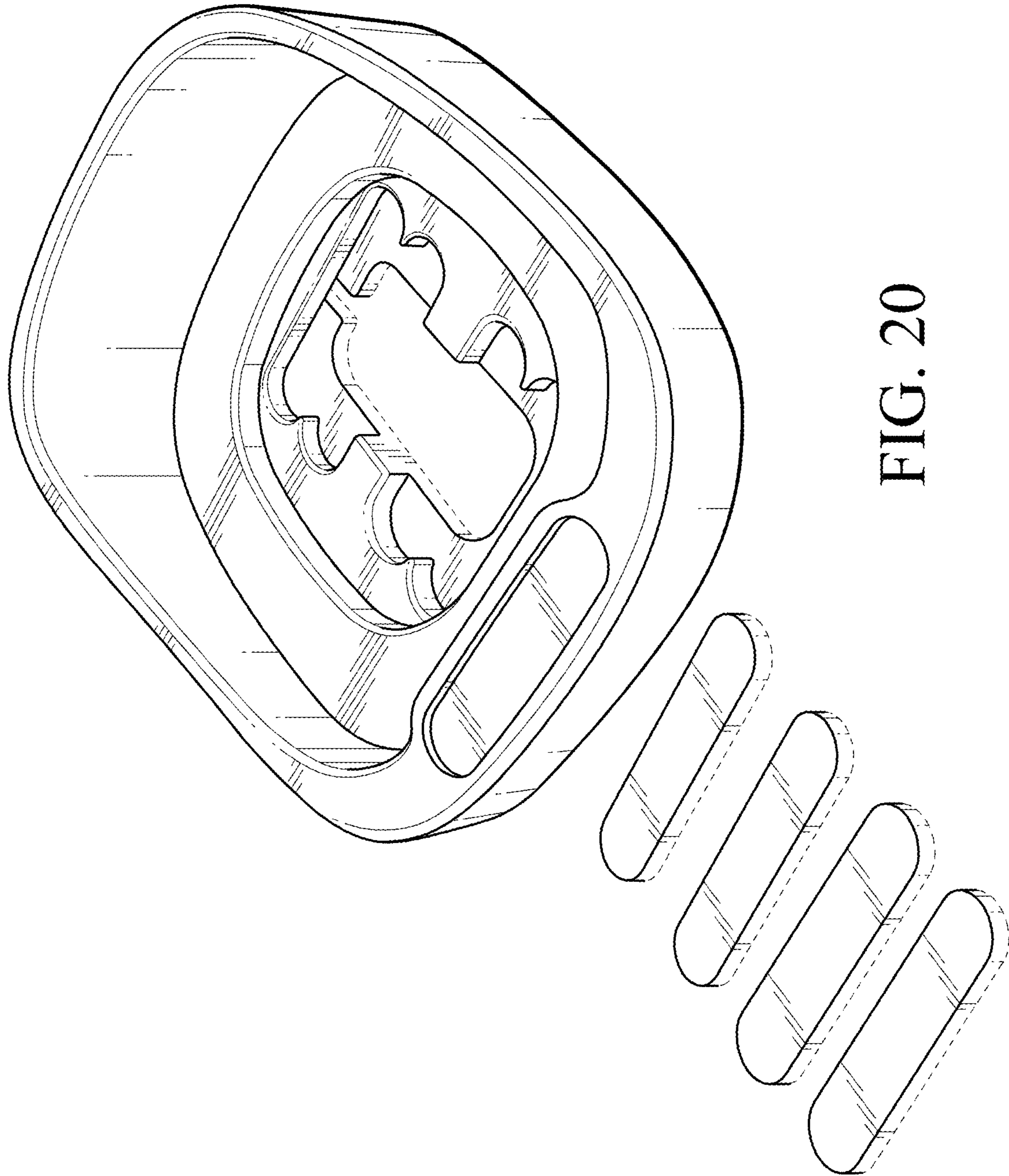


FIG. 20

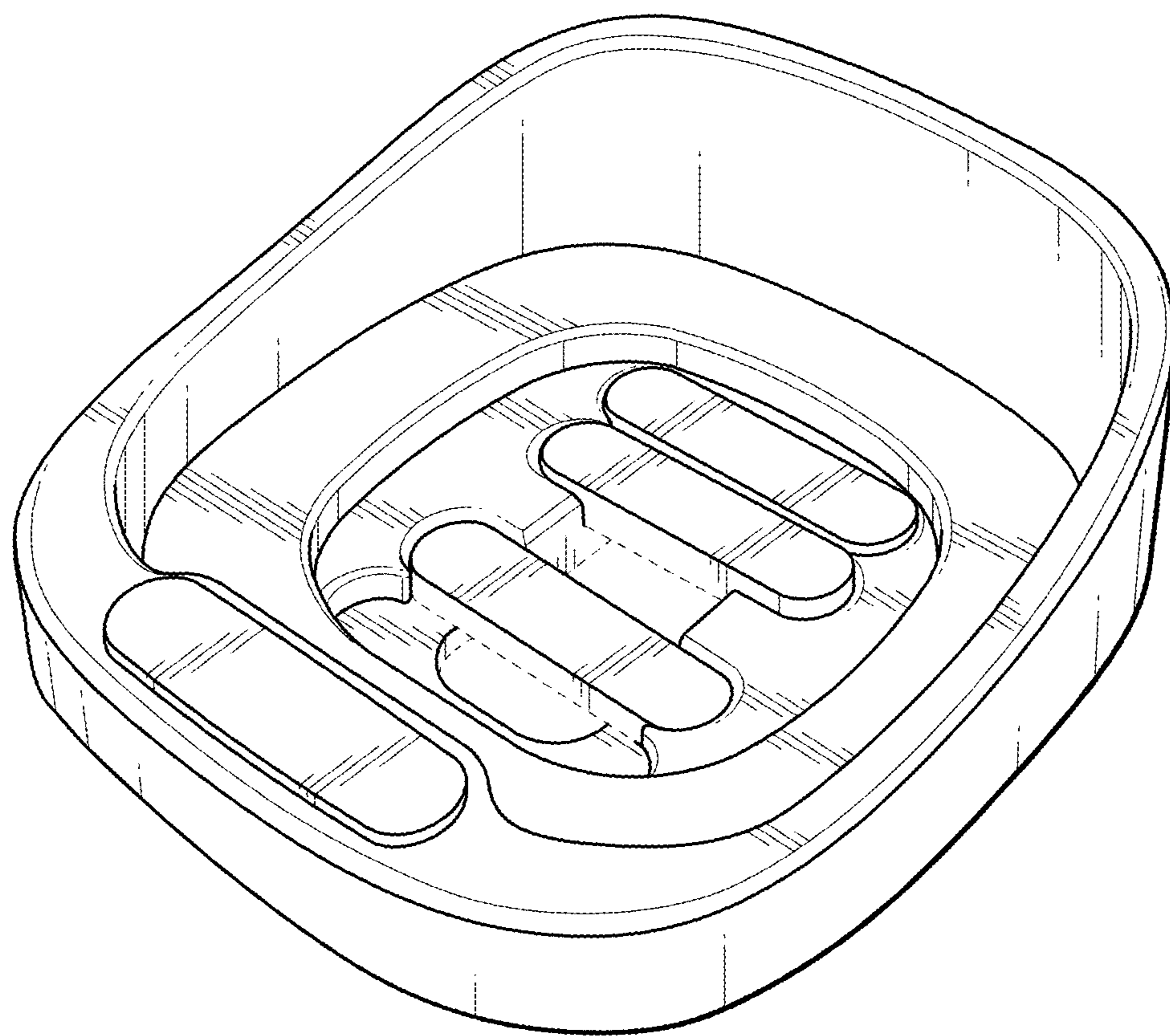


FIG. 21

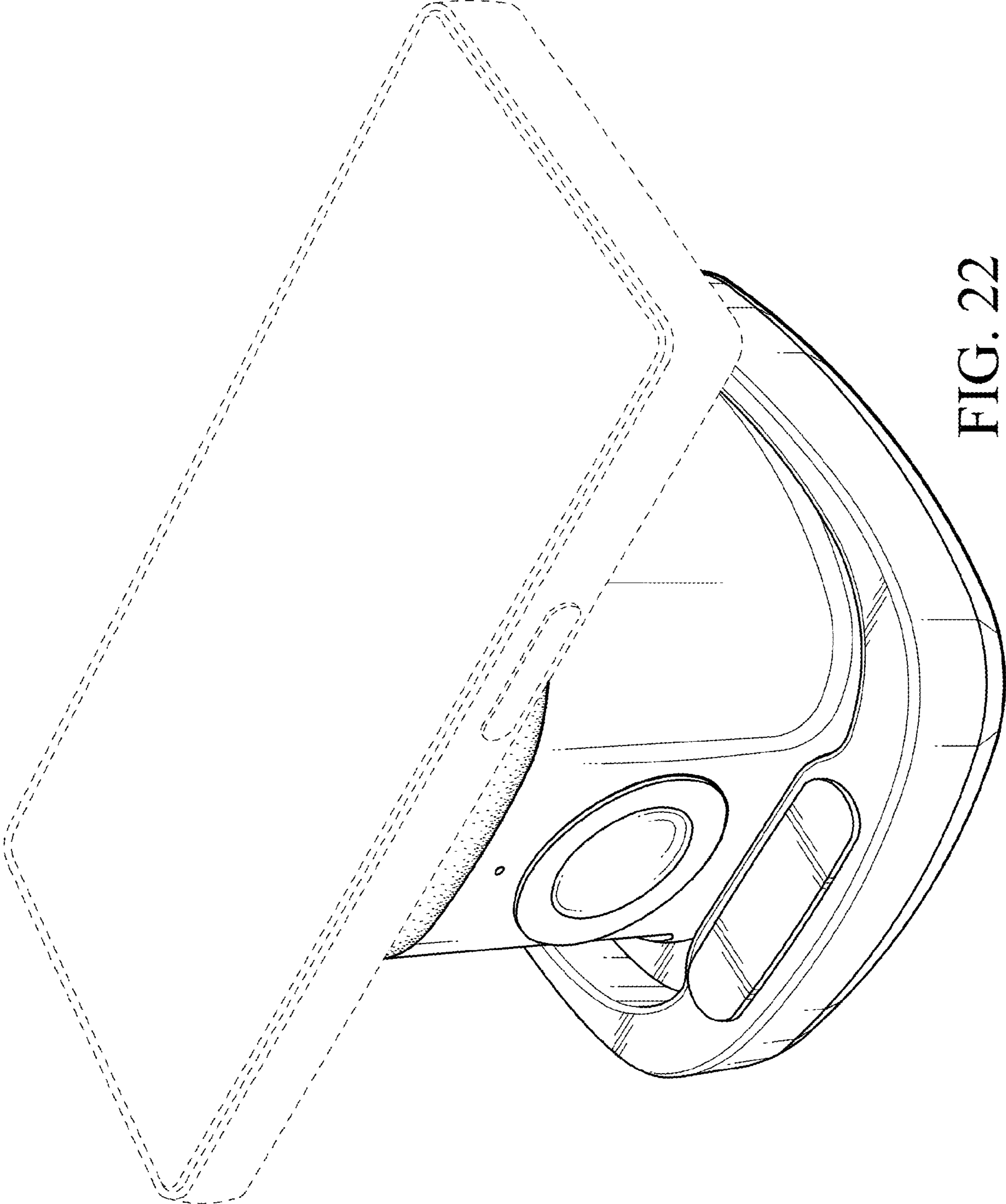


FIG. 22