



US00D920906S

(12) **United States Design Patent**
Qiu

(10) **Patent No.:** **US D920,906 S**
(45) **Date of Patent:** **** Jun. 1, 2021**

(54) **CHARGER**

(71) Applicant: **Lianfang Qiu**, Guangdong (CN)

(72) Inventor: **Lianfang Qiu**, Guangdong (CN)

(**) Term: **15 Years**

(21) Appl. No.: **29/729,348**

(22) Filed: **Mar. 26, 2020**

(51) **LOC (13) Cl.** **13-02**

(52) **U.S. Cl.**
USPC **D13/107**

(58) **Field of Classification Search**
USPC D13/107-110, 118, 119, 184, 199
CPC .. Y02E 60/12; H01R 13/6675; H01M 2/1022;
H01M 2/1055; H01M 10/44; H01M
10/46; H01M 10/425; H02J 2001/008;
H02J 3/32; H02J 3/008; H02J 7/0027;
H02J 7/0013; H02J 7/0054; H02J 7/00;
B60R 16/03

See application file for complete search history.

(56) **References Cited**

U.S. PATENT DOCUMENTS

D574,769 S *	8/2008	Fisher	D13/108
D657,743 S *	4/2012	Andre	D13/110
D704,135 S *	5/2014	Stewart	D13/108
D711,824 S *	8/2014	Matsuoka	D13/110
D740,749 S *	10/2015	Stewart	D13/108
D758,965 S *	6/2016	Jen	D13/108
D791,076 S *	7/2017	Kim	D13/108
D824,850 S *	8/2018	Kojima	D13/107

D879,710 S *	3/2020	Yang	D13/108
D883,198 S *	5/2020	Zhang	D13/107
D884,626 S *	5/2020	Lyu	D13/110
D892,735 S *	8/2020	Zhang	D13/108
D896,171 S *	9/2020	Huang	D13/108
D897,957 S *	10/2020	Yang	D13/110
D899,364 S *	10/2020	Zhang	D13/110
D900,739 S *	11/2020	Wei	D13/108
D902,151 S *	11/2020	Yang	D13/108
D902,853 S *	11/2020	Lin	D13/108
D911,275 S *	2/2021	Chen	D13/108
D912,621 S *	3/2021	Qiu	D13/108
2015/0263553 A1 *	9/2015	Fuller	F16B 2/22 320/114

* cited by examiner

Primary Examiner — Christy Nemeth
(74) *Attorney, Agent, or Firm* — W&K IP

(57) **CLAIM**

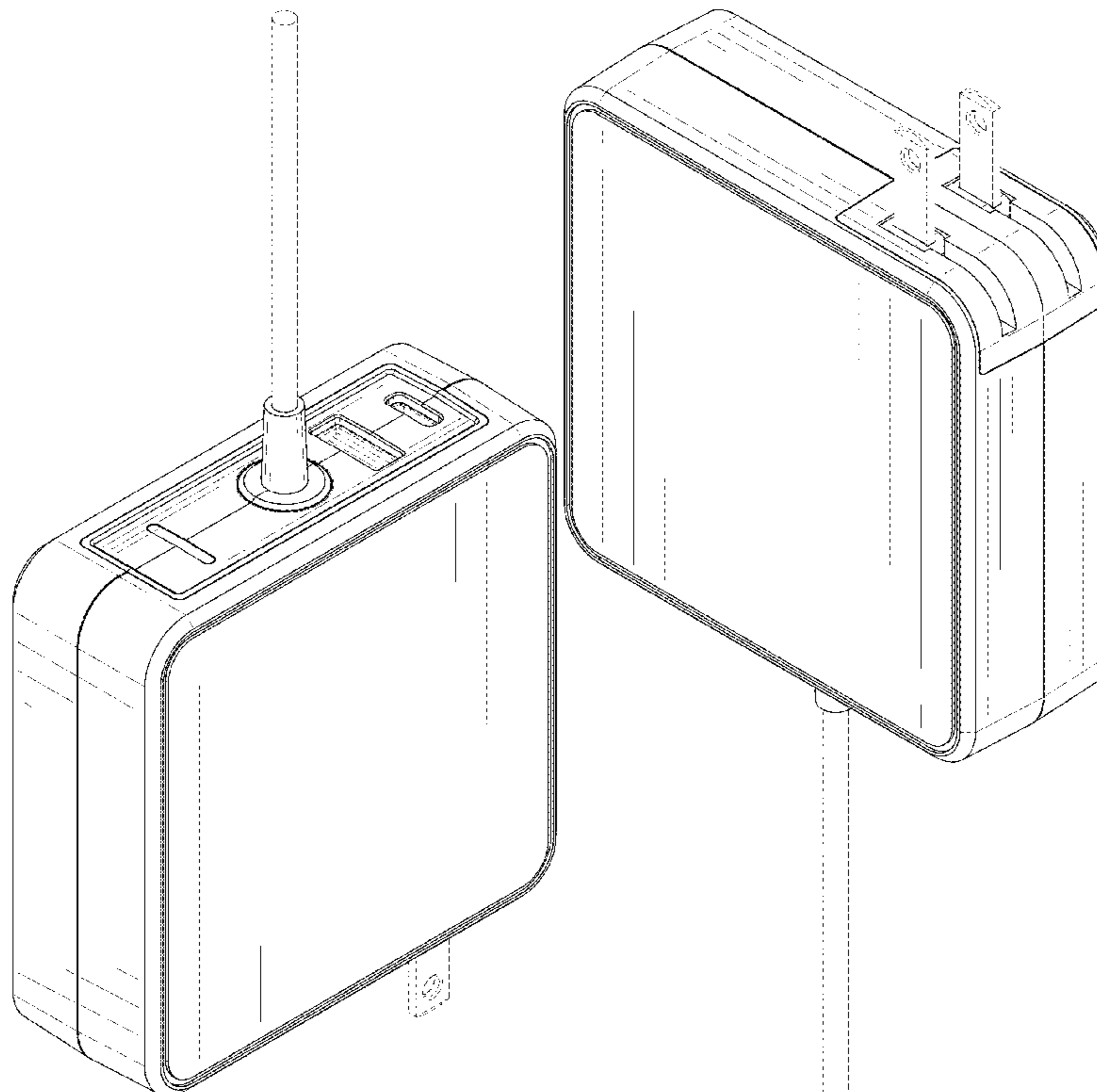
The ornamental design for a charger, as shown and described.

DESCRIPTION

FIG. 1 is a front and top perspective view of a charger, showing my new design;
FIG. 2 is a rear and bottom perspective view thereof;
FIG. 3 is a front elevational view thereof;
FIG. 4 is a rear elevational view thereof;
FIG. 5 is a left side elevational view thereof;
FIG. 6 is a right side elevational view thereof;
FIG. 7 is a top plan view thereof; and,
FIG. 8 is a bottom plan view thereof.

The broken lines in the figures illustrate portions of the charger that form no part of the claimed design.

1 Claim, 8 Drawing Sheets



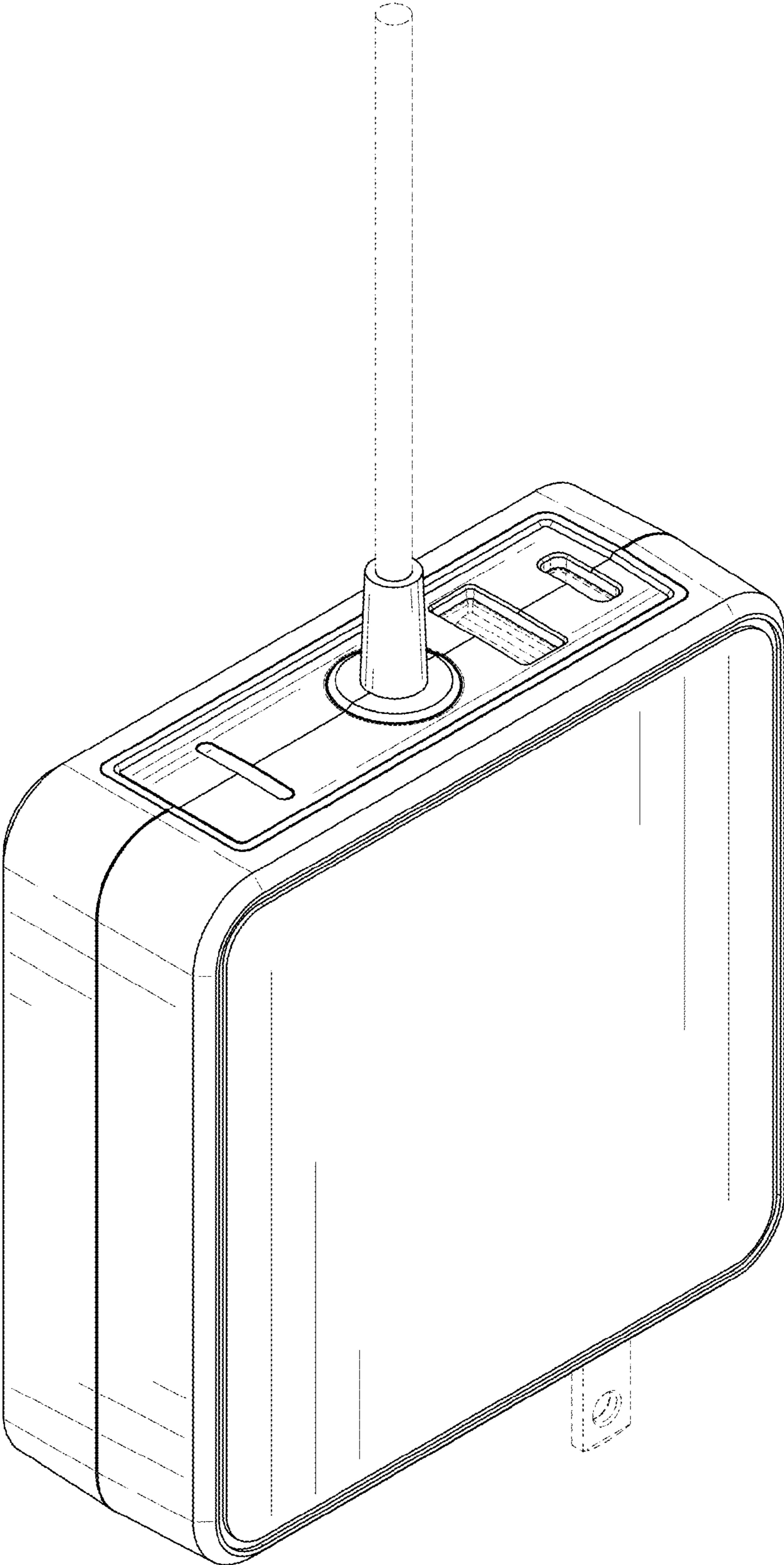


FIG. 1

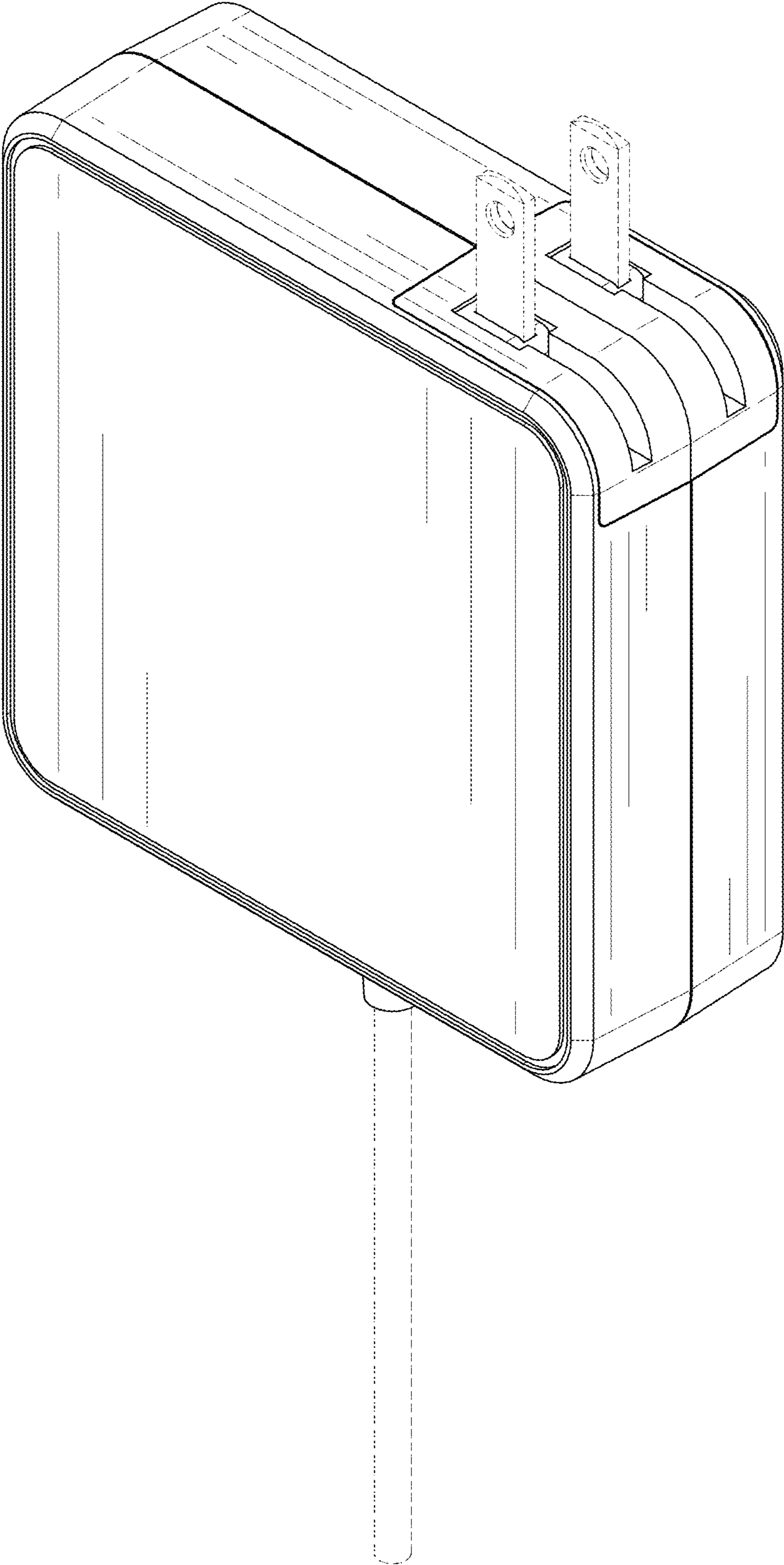


FIG. 2

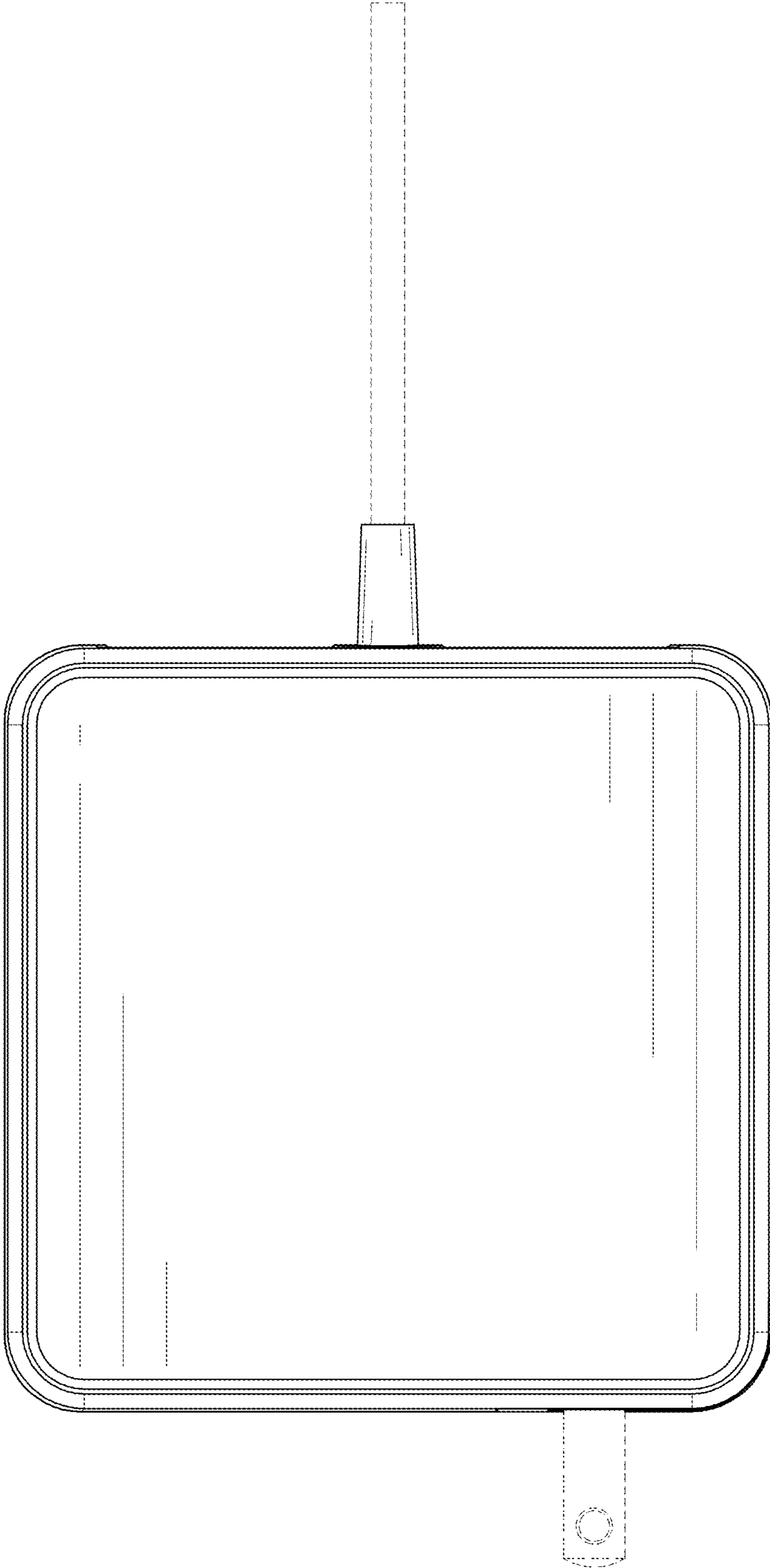


FIG. 3

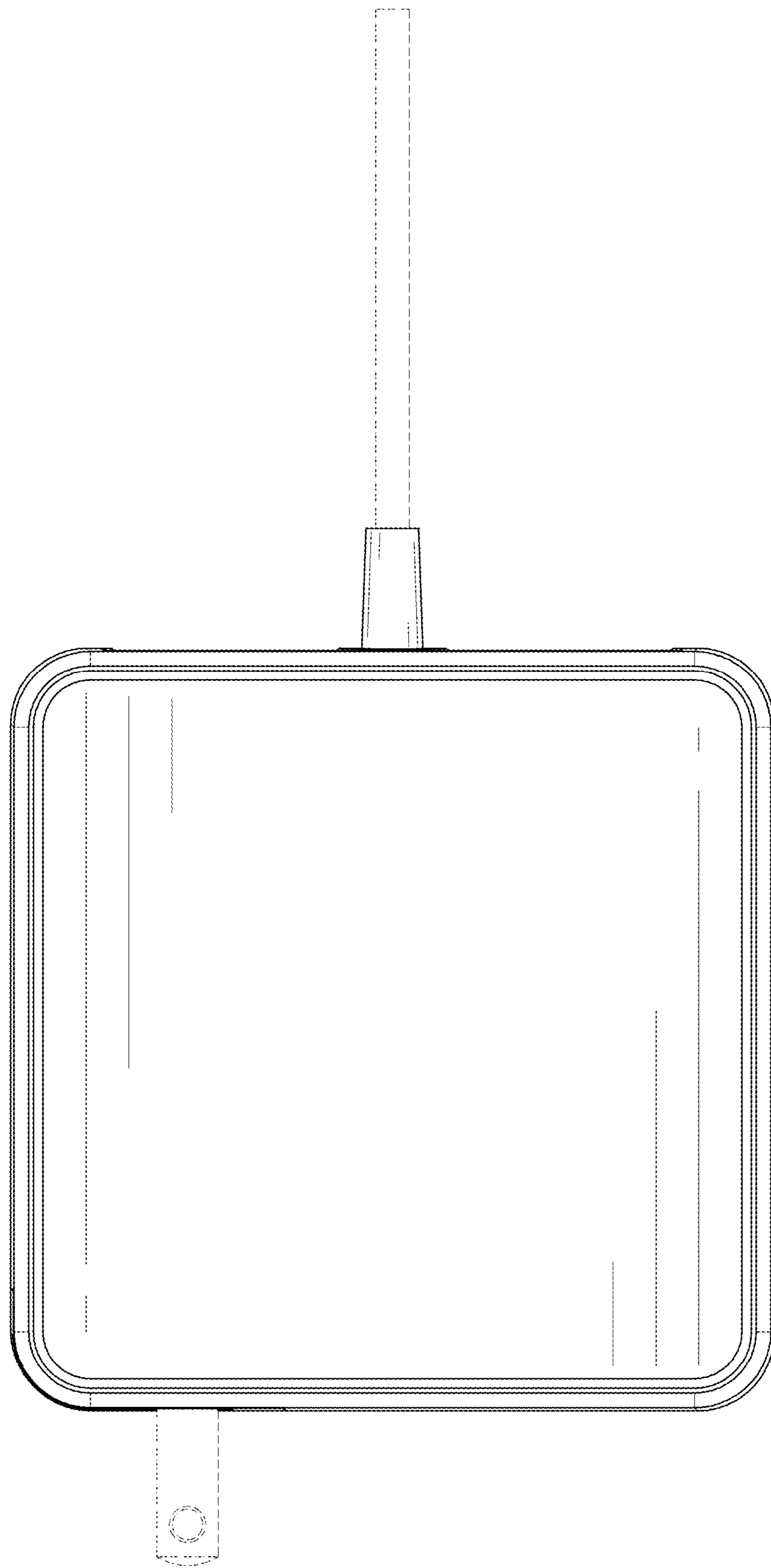


FIG. 4

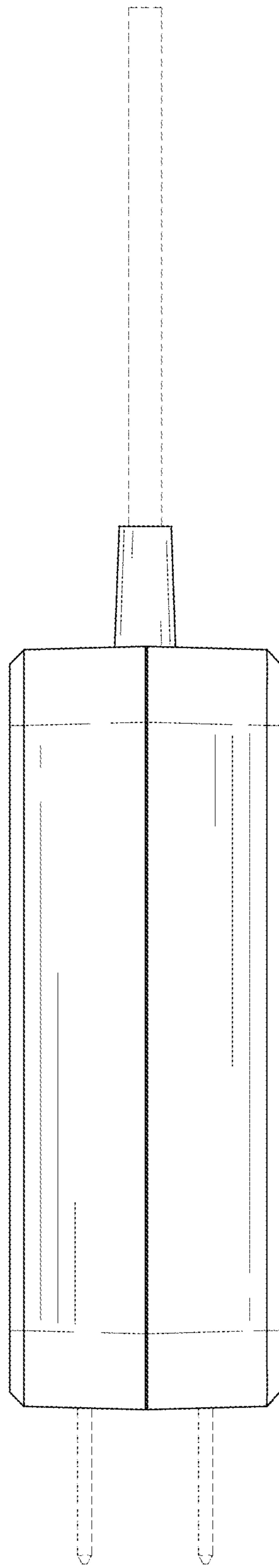


FIG. 5

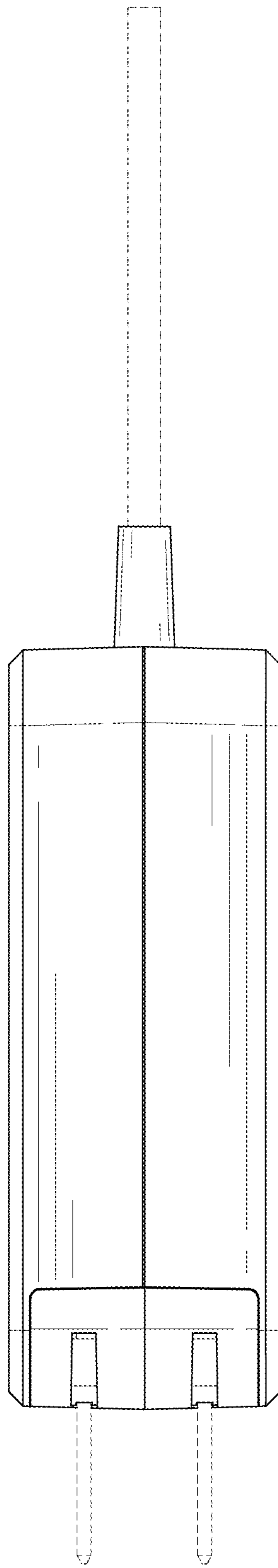


FIG. 6

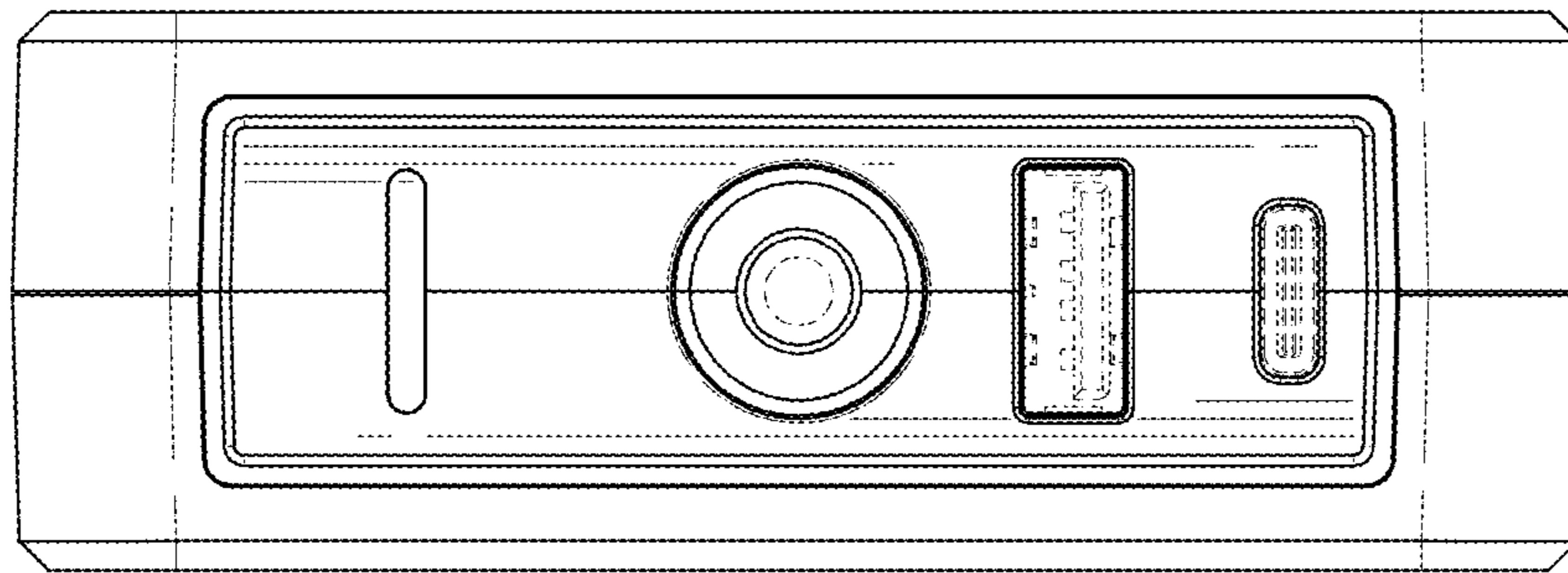


FIG. 7

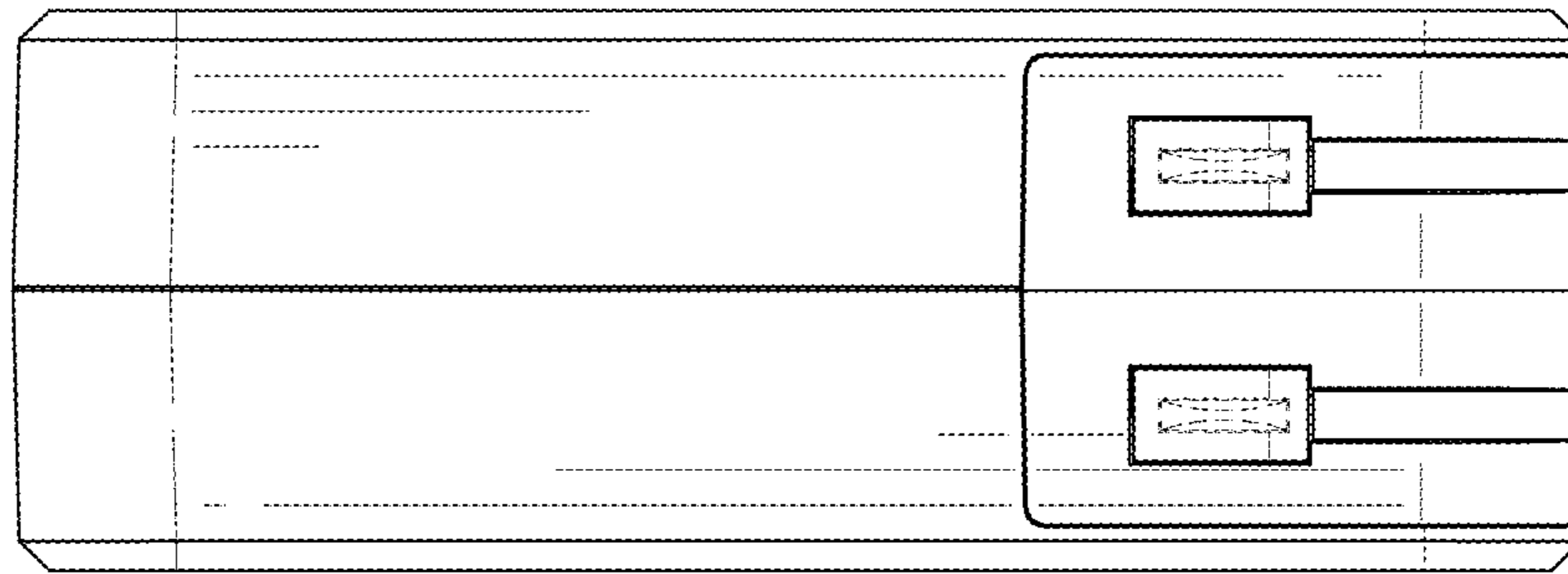


FIG. 8