



US00D920904S

(12) **United States Design Patent** (10) **Patent No.:** **US D920,904 S**  
**Naito et al.** (45) **Date of Patent:** **\*\* Jun. 1, 2021**

(54) **BATTERY PACK**

(71) Applicant: **SANYO Electric Co., Ltd.**, Daito (JP)

(72) Inventors: **Masakazu Naito**, Hyogo (JP); **Yuusuke Okii**, Osaka (JP)

(73) Assignee: **SANYO Electric Co., Ltd.**, Osaka (JP)

(\*\*) Term: **15 Years**

(21) Appl. No.: **29/699,923**

(22) Filed: **Jul. 30, 2019**

(30) **Foreign Application Priority Data**

Feb. 7, 2019 (JP) ..... 2019-002507

(51) **LOC (13) Cl.** ..... **13-02**

(52) **U.S. Cl.**  
USPC ..... **D13/103**

(58) **Field of Classification Search**  
USPC ..... D13/102-106, 110, 118-119, 154, 156,  
D13/184

CPC ..... Y02E 60/12; Y02E 60/122; Y02E 60/124;  
Y02E 60/50; H01M 2/02; H01M 2/022;  
H01M 2/0202; H01M 2/0207; H01M  
2/0212; H01M 2/1061; H01M 2/1022;  
H01M 2/1055; H01M 2/1066; H01M  
2/105; H01M 2/204; H01M 2/10; H01M  
10/4257; H01M 10/0436; H01M 10/48  
See application file for complete search history.

(56) **References Cited**

**U.S. PATENT DOCUMENTS**

D517,988 S \* 3/2006 Ihde ..... D13/103  
D562,229 S \* 2/2008 Peters ..... D13/103  
D683,702 S \* 6/2013 Kaneshige ..... D13/147  
D758,301 S \* 6/2016 Miyawaki ..... D13/103

D772,816 S \* 11/2016 DeKeuster ..... D13/119  
9,911,967 B2 \* 3/2018 Cohen ..... H01M 2/365  
D888,675 S \* 6/2020 Lim ..... D13/184  
2012/0115011 A1 \* 5/2012 Kim ..... H01M 10/6562  
429/156  
2016/0185223 A1 \* 6/2016 Kim ..... H01M 2/1083  
429/100  
2017/0352851 A1 \* 12/2017 Kuboki ..... H01M 2/266  
2019/0051954 A1 \* 2/2019 Kim ..... H01M 2/10  
2020/0106058 A1 \* 4/2020 Kim ..... H01M 2/02  
2020/0287194 A1 \* 9/2020 Urano ..... H01M 2/305  
2020/0321589 A1 \* 10/2020 Watahiki ..... H01M 2/1077  
2020/0343607 A1 \* 10/2020 Kim ..... H01M 10/6567

**FOREIGN PATENT DOCUMENTS**

JP D1459710 1/2013

\* cited by examiner

*Primary Examiner* — Catherine S Posthauer

*Assistant Examiner* — Alison M Ofstun

(74) *Attorney, Agent, or Firm* — Brinks Gilson & Lione

(57) **CLAIM**

We claim the ornamental design for a battery pack, as shown and described.

**DESCRIPTION**

FIG. 1 is a top, front perspective view of a battery pack showing our new design;  
FIG. 2 is a bottom, front perspective view thereof;  
FIG. 3 is a front view thereof;  
FIG. 4 is a rear view thereof;  
FIG. 5 is a left side view thereof;  
FIG. 6 is a right side view thereof;  
FIG. 7 is a top view thereof; and,  
FIG. 8 is a bottom view thereof.

In the drawings, the broken lines illustrate portions of the battery pack which form no part of the claimed design.

**1 Claim, 8 Drawing Sheets**

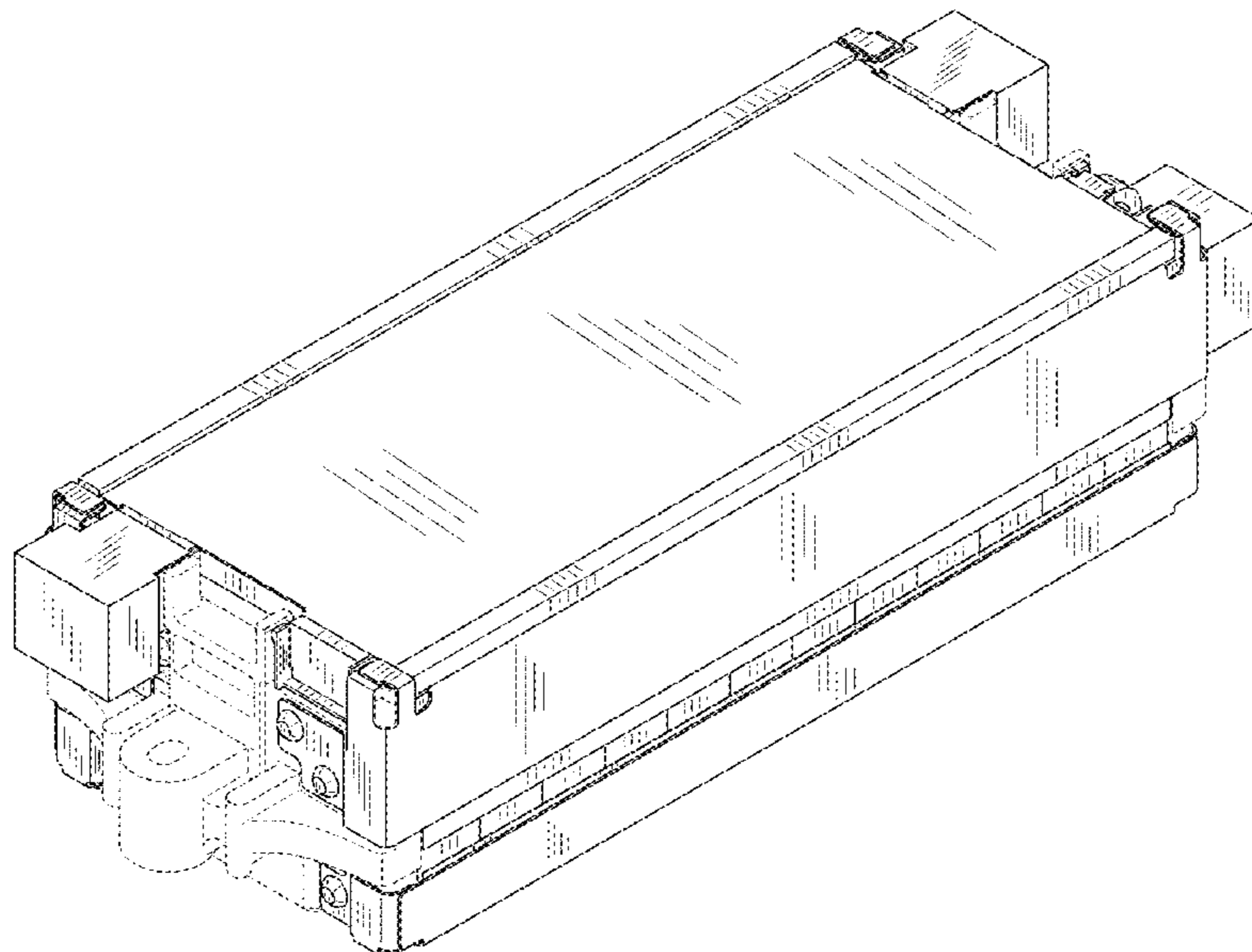


FIG. 1

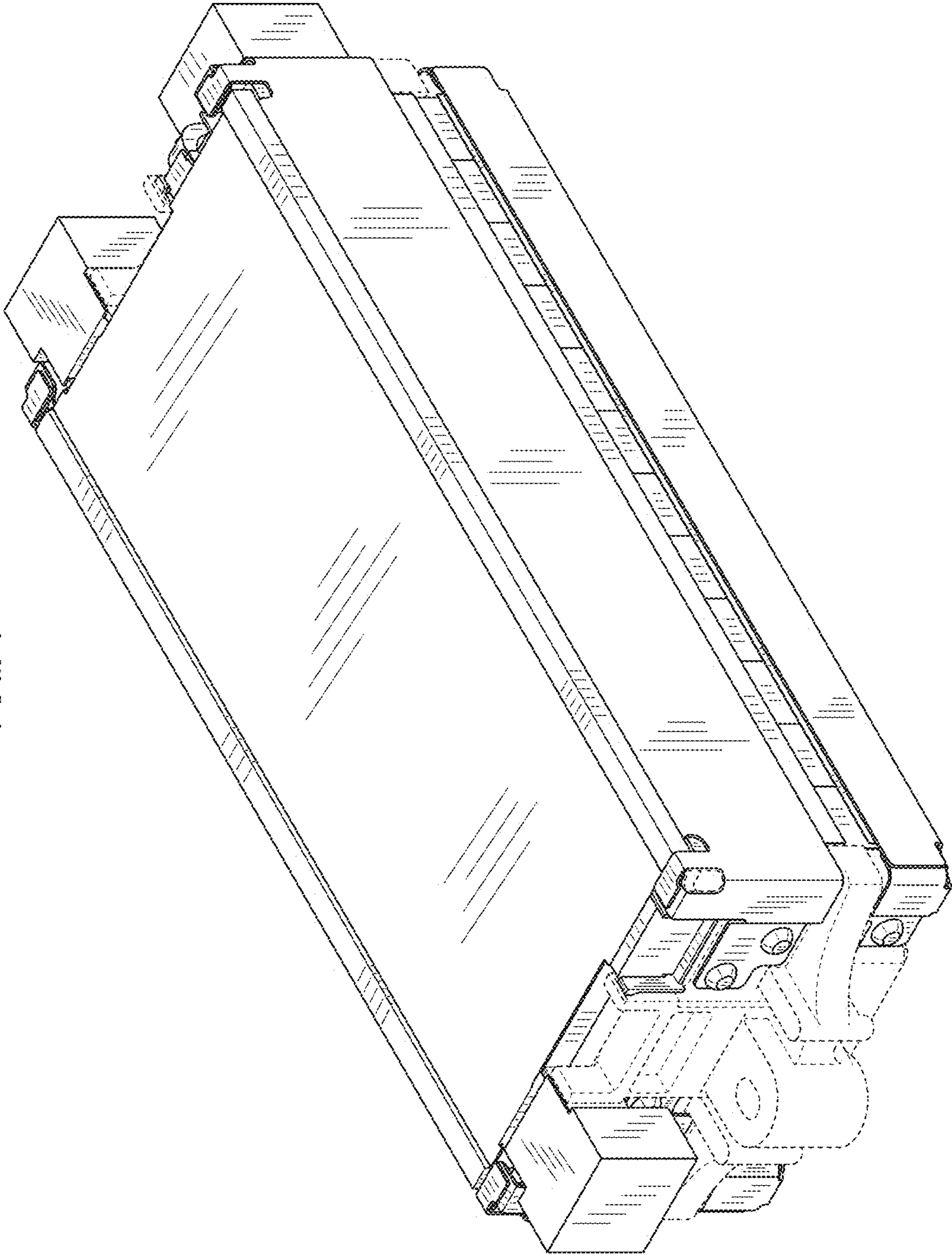


FIG. 2

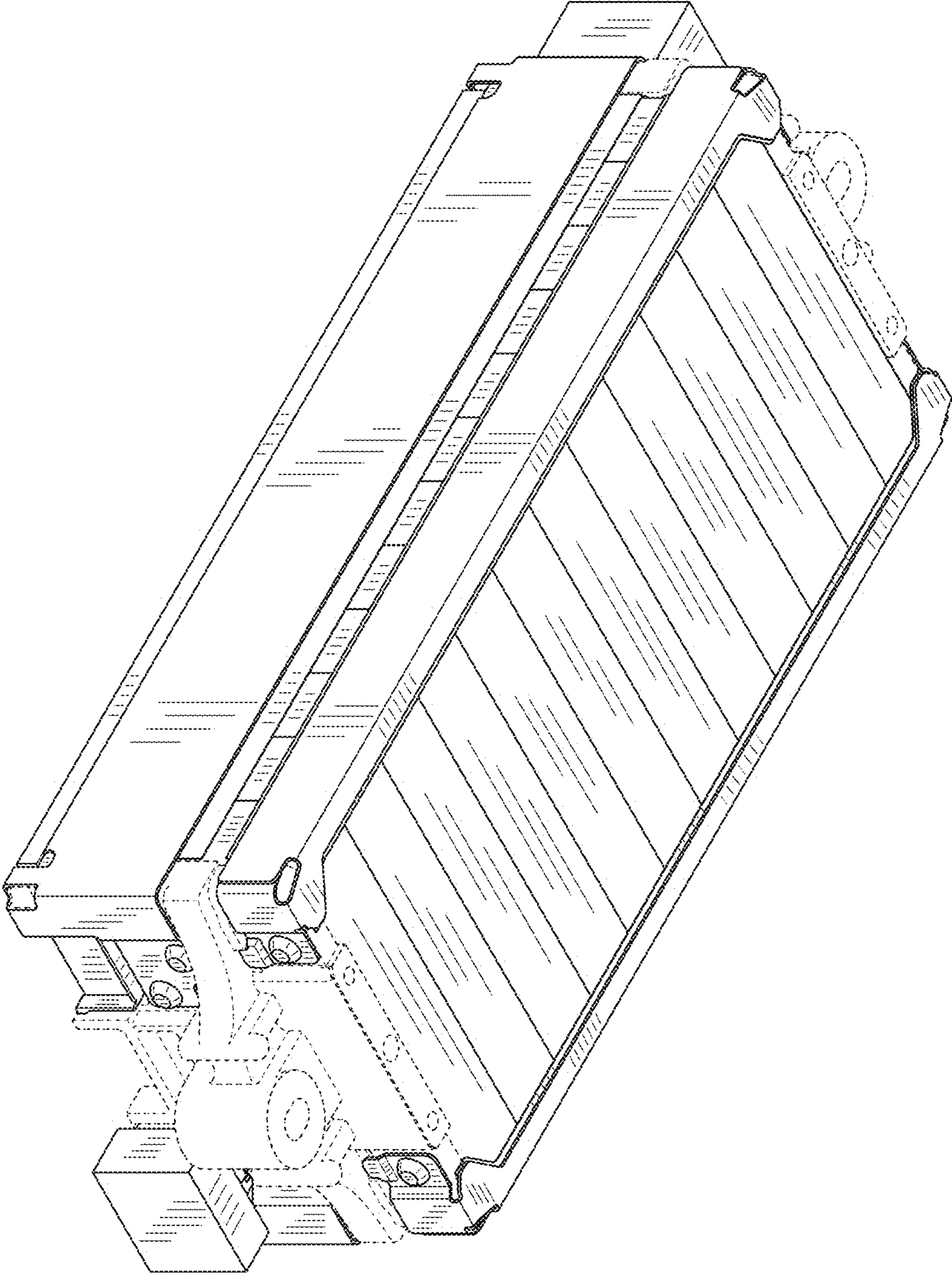


FIG. 3

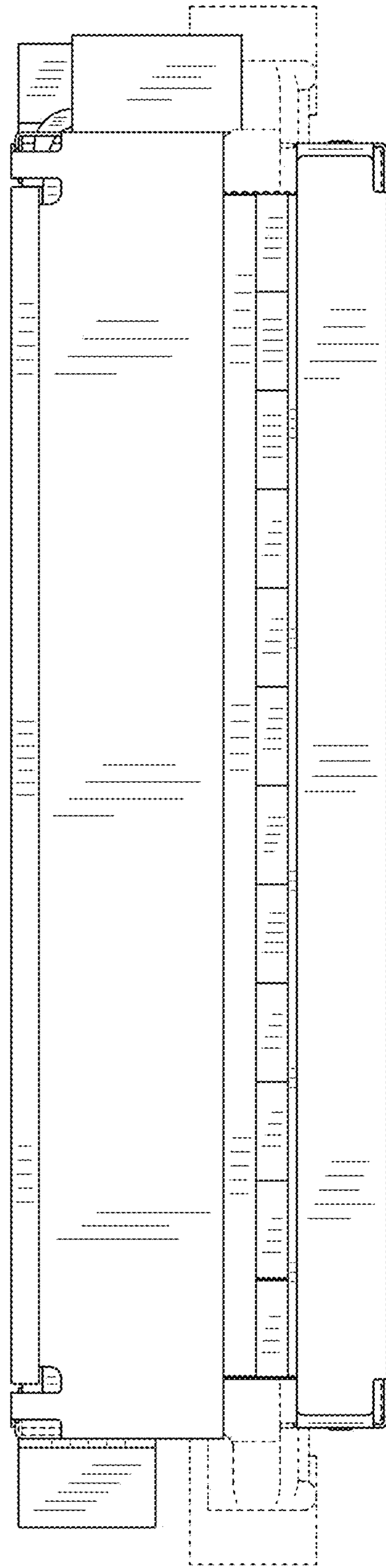


FIG. 4

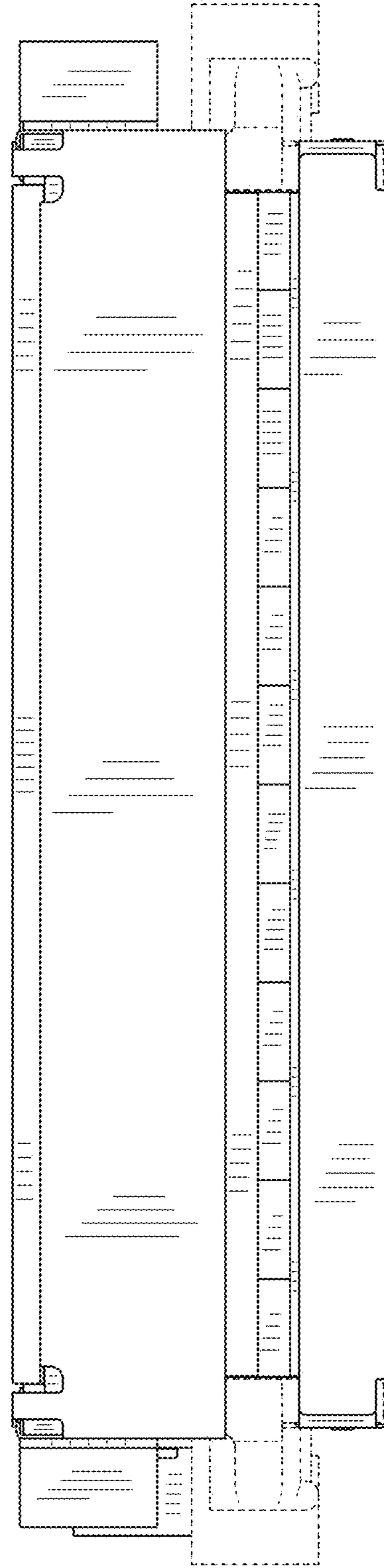


FIG. 5

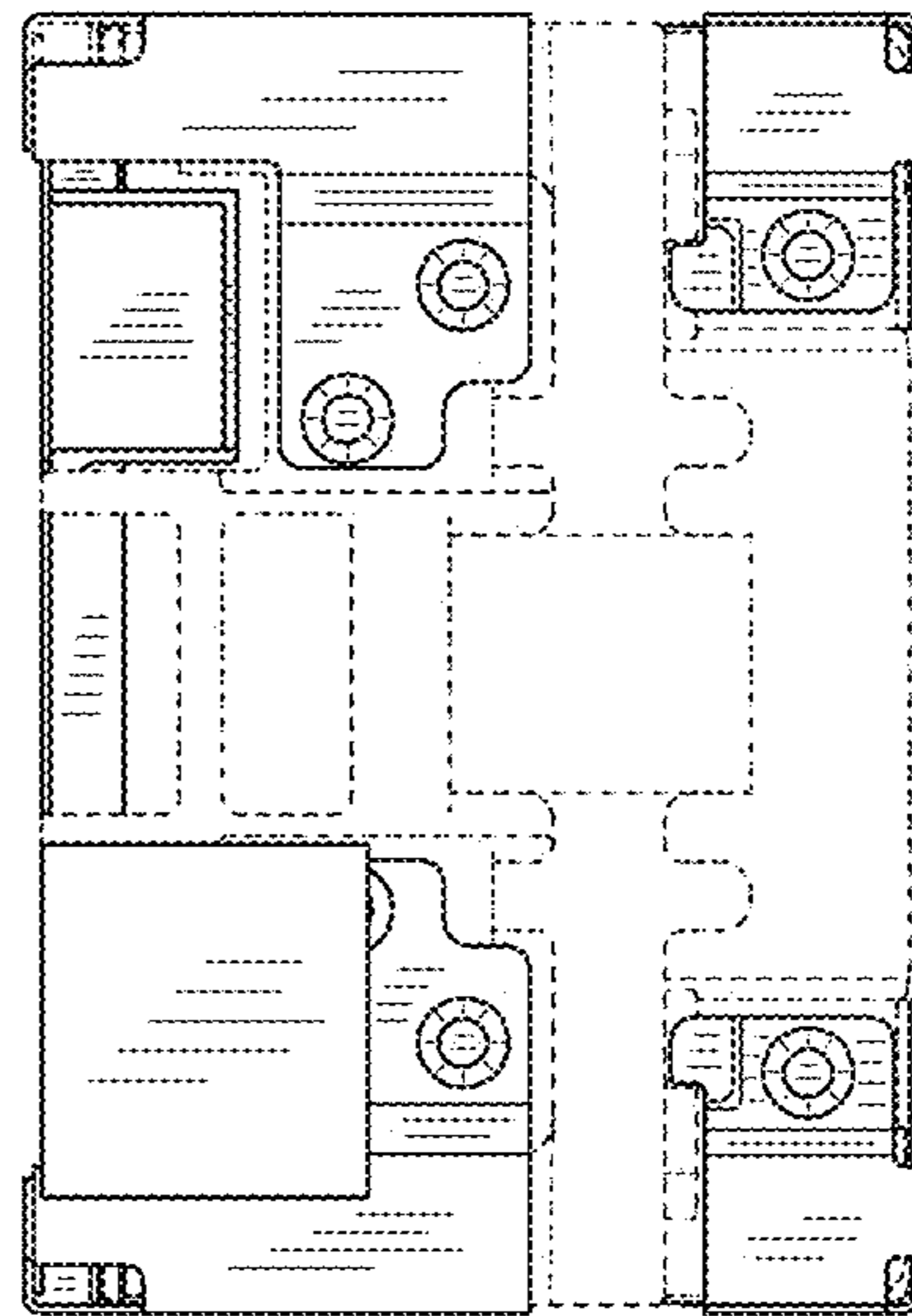


FIG. 6

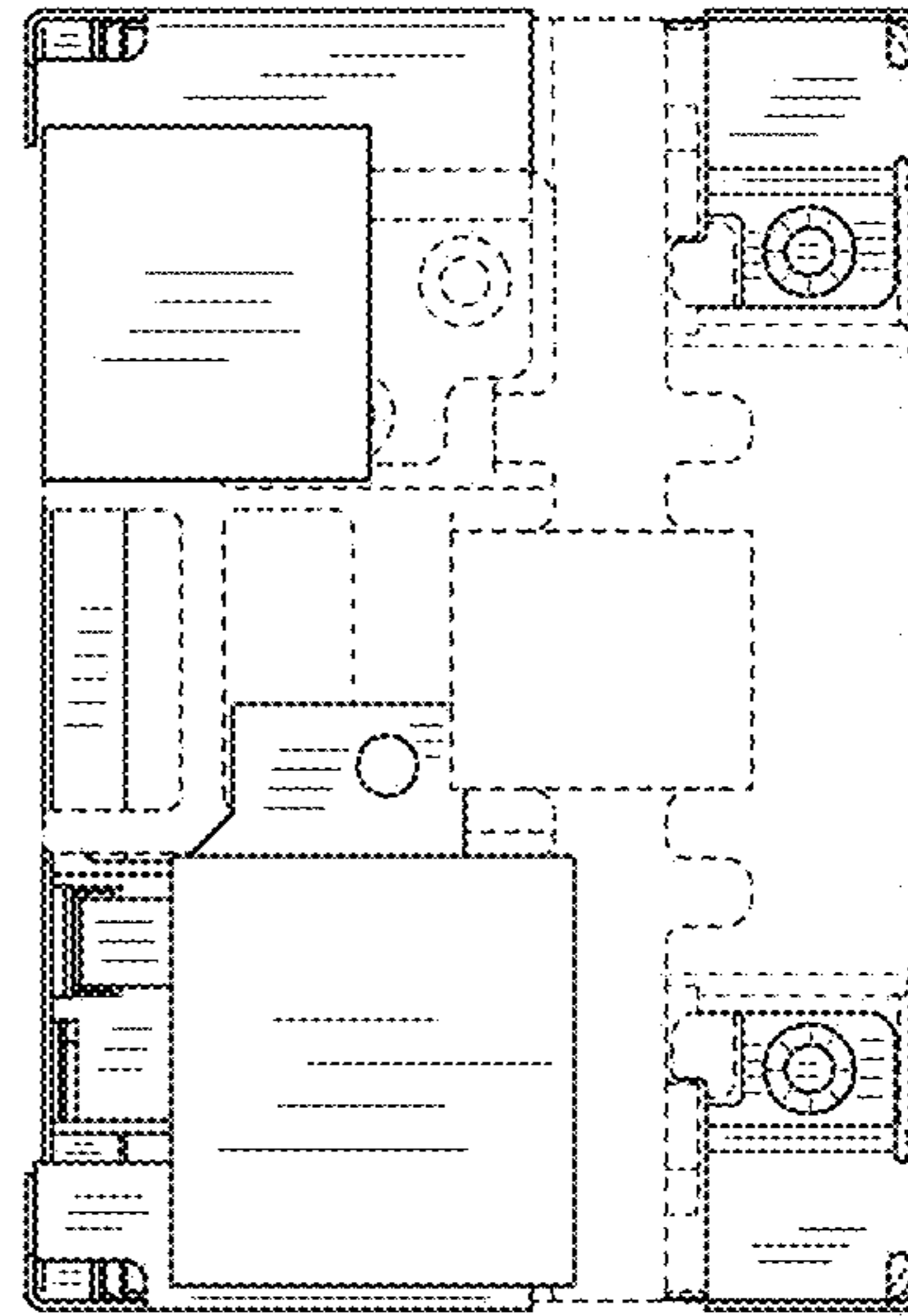


FIG. 7

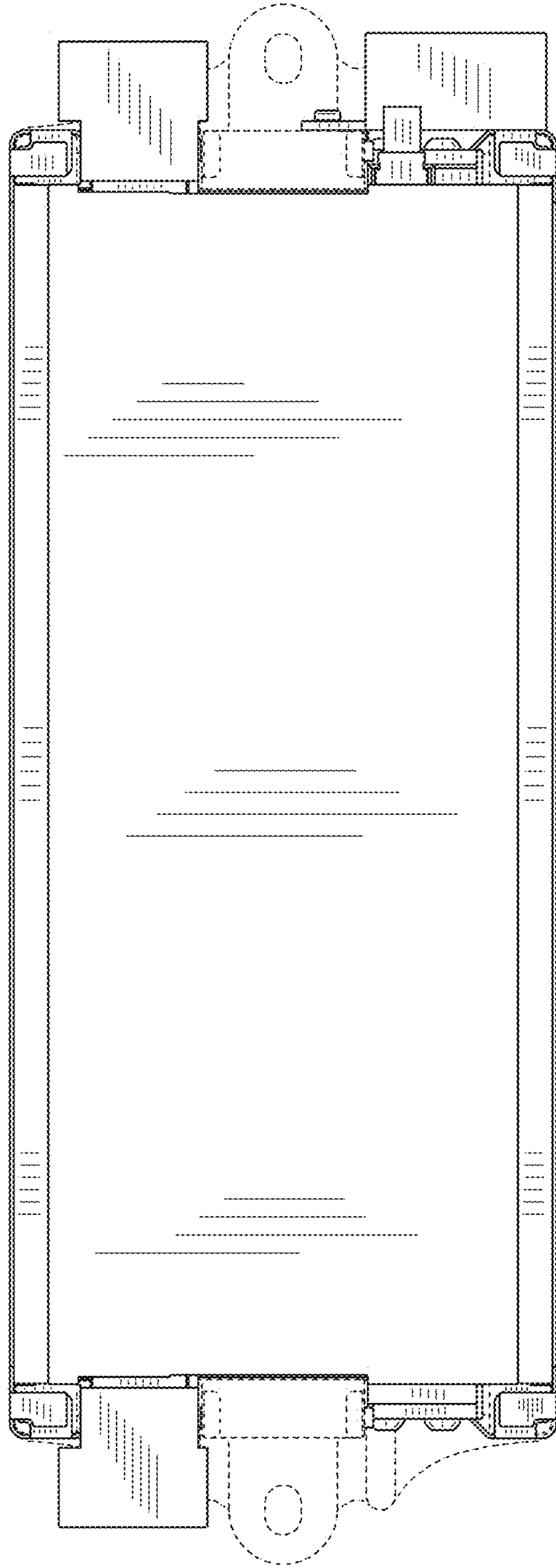




FIG. 8

