



US00D920903S

(12) **United States Design Patent**
Lee et al.

(10) **Patent No.:** **US D920,903 S**
(45) **Date of Patent:** **** Jun. 1, 2021**

(54) **FRONT COVER FOR BATTERY MODULE**

(71) Applicant: **LG Chem, Ltd.**, Seoul (KR)

(72) Inventors: **Young-Ho Lee**, Daejeon (KR);
Do-Hyun Park, Daejeon (KR);
Jun-Yeob Seong, Daejeon (KR);
Jong-Ha Jeong, Daejeon (KR)

(73) Assignee: **LG Chem, Ltd.**

(**) Term: **15 Years**

(21) Appl. No.: **29/696,253**

(22) Filed: **Jun. 26, 2019**

(30) **Foreign Application Priority Data**

Dec. 26, 2018 (KR) 30-2018-0061672

(51) **LOC (13) Cl.** **13-02**

(52) **U.S. Cl.**
USPC **D13/103; D13/119**

(58) **Field of Classification Search**
USPC D13/103, 104, 118, 119, 120, 121, 154,
D13/184, 199
CPC H01M 50/20; H01M 50/502; H01M 2/206;
H01M 2/34; H02G 5/02; H02G 5/04
See application file for complete search history.

(56) **References Cited**

U.S. PATENT DOCUMENTS

D623,127 S * 9/2010 Seyama D13/104
8,663,830 B2 * 3/2014 Hsiao H01M 10/6557
429/120
8,835,037 B2 * 9/2014 Nguyen H01M 50/20
429/120
D756,912 S * 5/2016 Sato D13/104
D763,193 S * 8/2016 Tyler D13/119
D764,402 S * 8/2016 Rowe D13/103
D810,683 S * 2/2018 DeKeuster D13/119

9,929,427 B2 * 3/2018 Lee H01M 50/20
9,978,998 B2 * 5/2018 Choi H01M 10/647
10,355,255 B2 * 7/2019 Seo H01M 50/20
10,396,406 B2 * 8/2019 Lee H01M 10/0525
D858,434 S * 9/2019 Park D13/103
10,411,309 B2 * 9/2019 Yun H01M 50/20
10,446,815 B2 * 10/2019 An H01M 50/20
10,497,910 B2 * 12/2019 Lee H01M 50/20
D879,032 S * 3/2020 Yang D13/103
D879,033 S * 3/2020 Yoon D13/103
10,601,003 B2 * 3/2020 Yang H01M 50/116
10,647,206 B2 * 5/2020 Kim H01M 50/20
10,777,860 B2 * 9/2020 Jo H01M 10/613
10,797,280 B2 * 10/2020 Peng H01M 50/20
10,897,033 B2 * 1/2021 Lee H01M 10/0525
2014/0087221 A1 * 3/2014 Kim H01M 10/482
429/90

* cited by examiner

Primary Examiner — Selina Sikder

(74) *Attorney, Agent, or Firm* — Lerner, David,
Littenberg, Krumholz & Mentlik, LLP

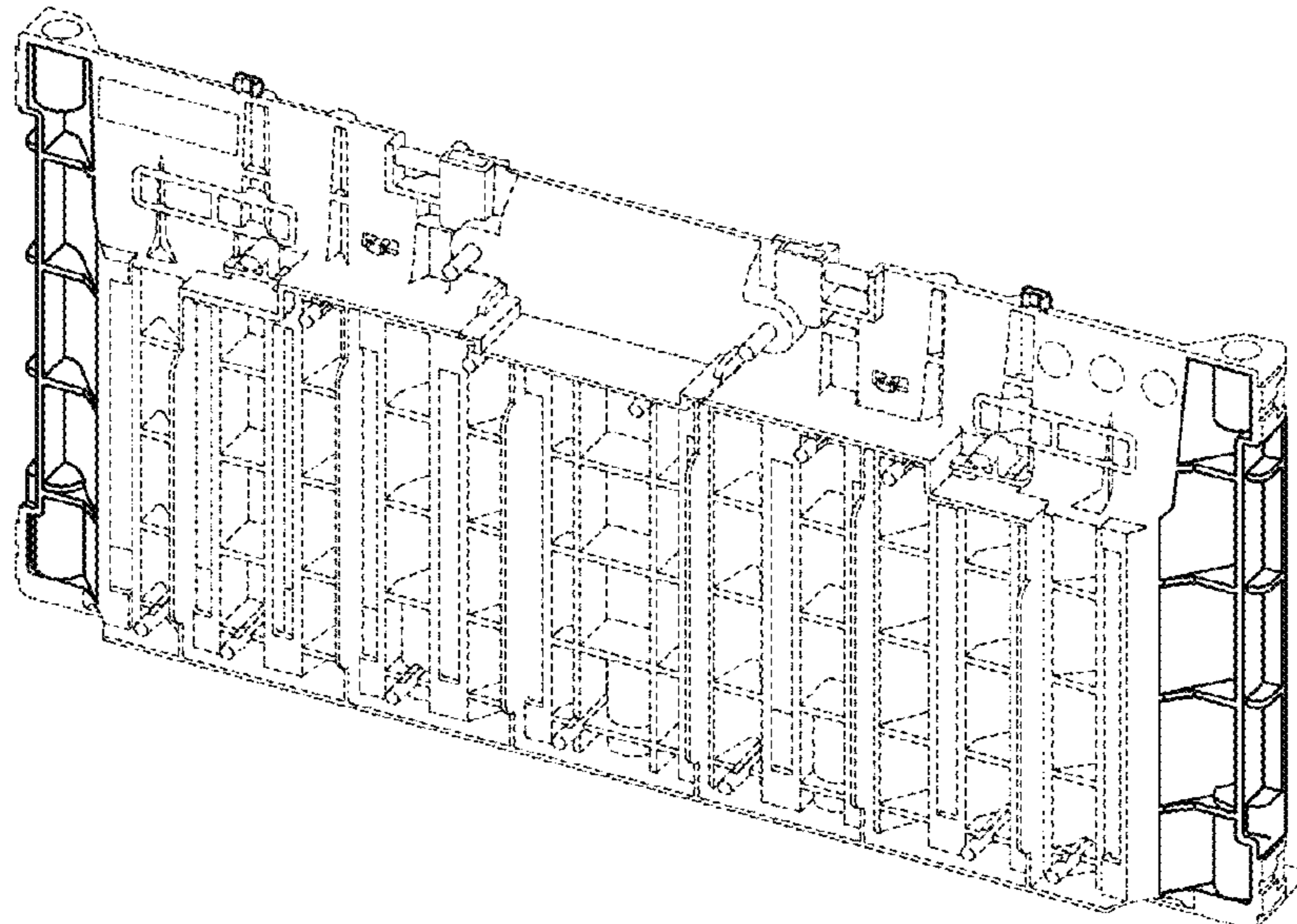
(57) **CLAIM**

The ornamental design for a front cover for battery module,
as shown and described.

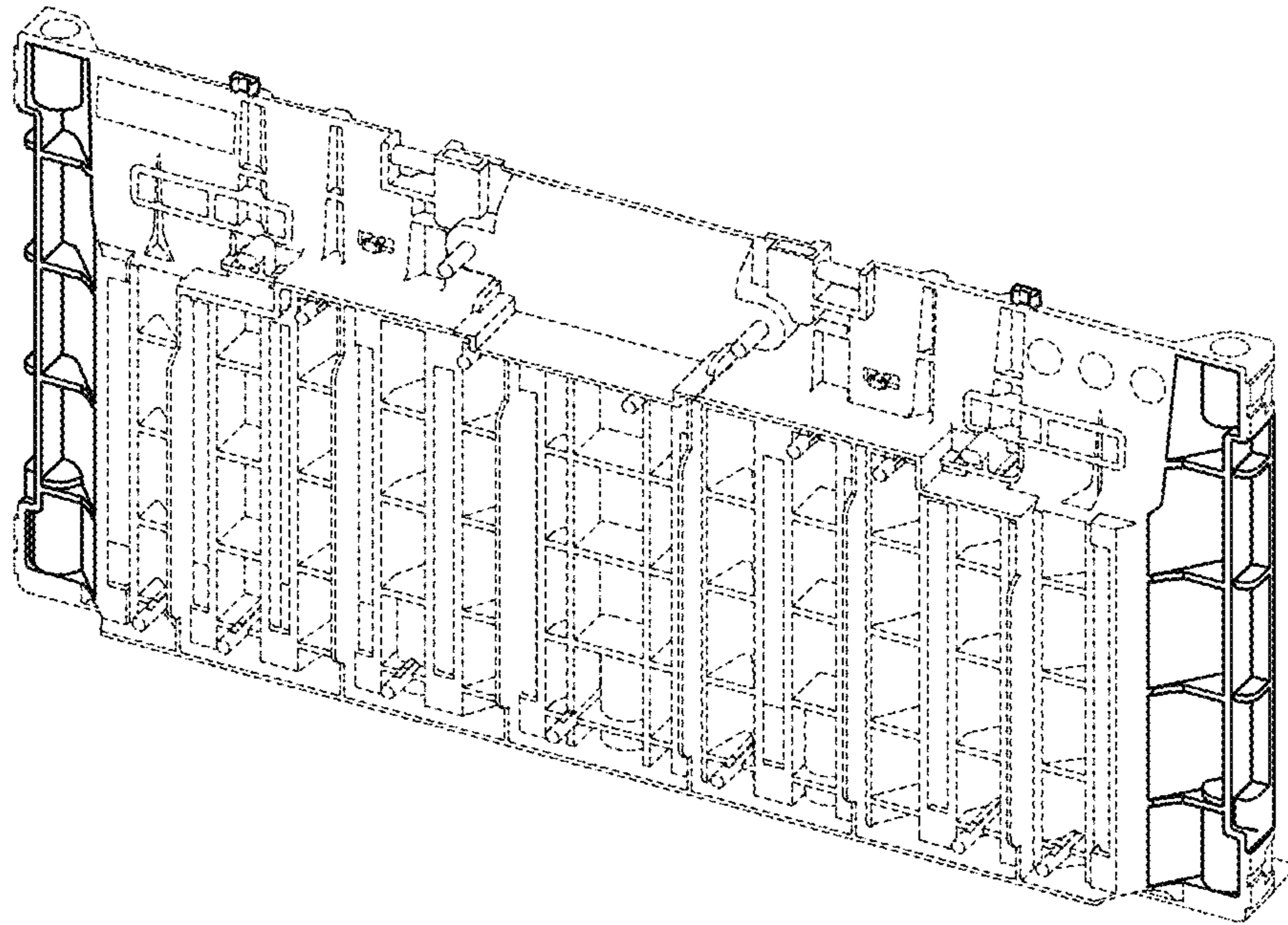
DESCRIPTION

FIG. 1 is a front perspective view of a front cover for battery module according to our design;
FIG. 2 is a front view thereof;
FIG. 3 is a rear view thereof;
FIG. 4 is a left side view thereof;
FIG. 5 is a right side view thereof;
FIG. 6 is a top view thereof;
FIG. 7 is a bottom view thereof; and,
FIG. 8 is a rear perspective view thereof.
The broken lines in the drawings depict portions of the front cover for a battery module that form no part of the claimed design.

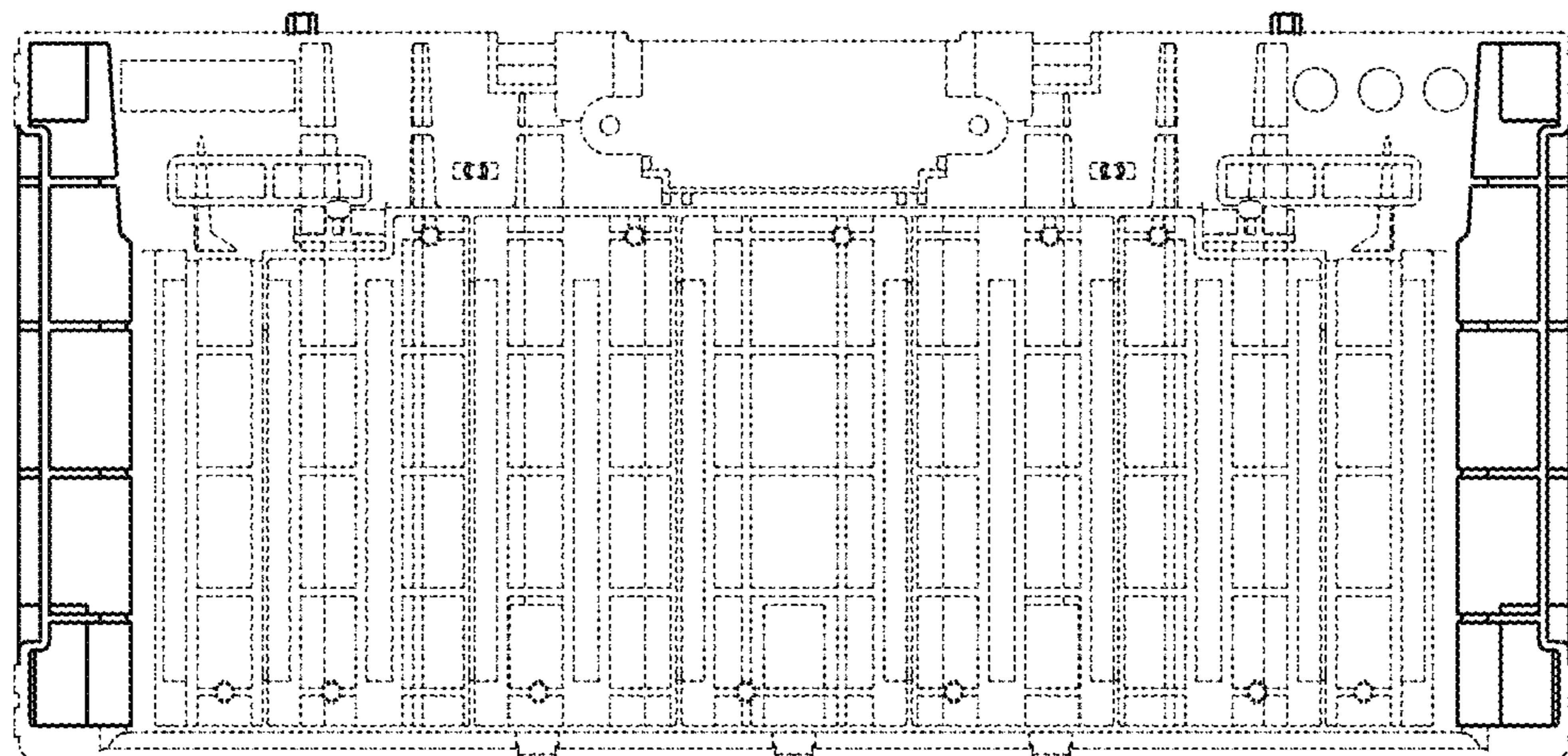
1 Claim, 4 Drawing Sheets



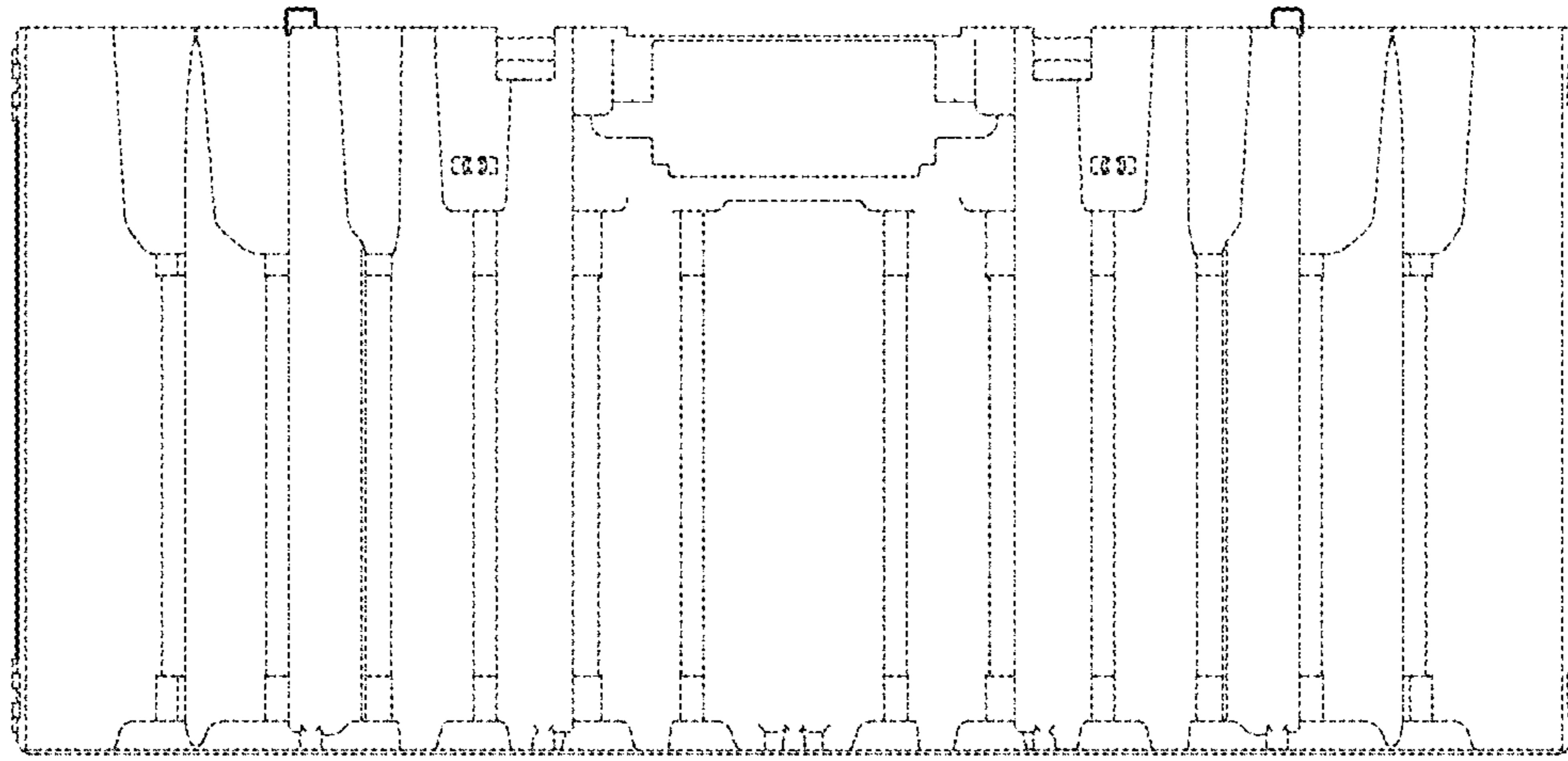
【FIG. 1】



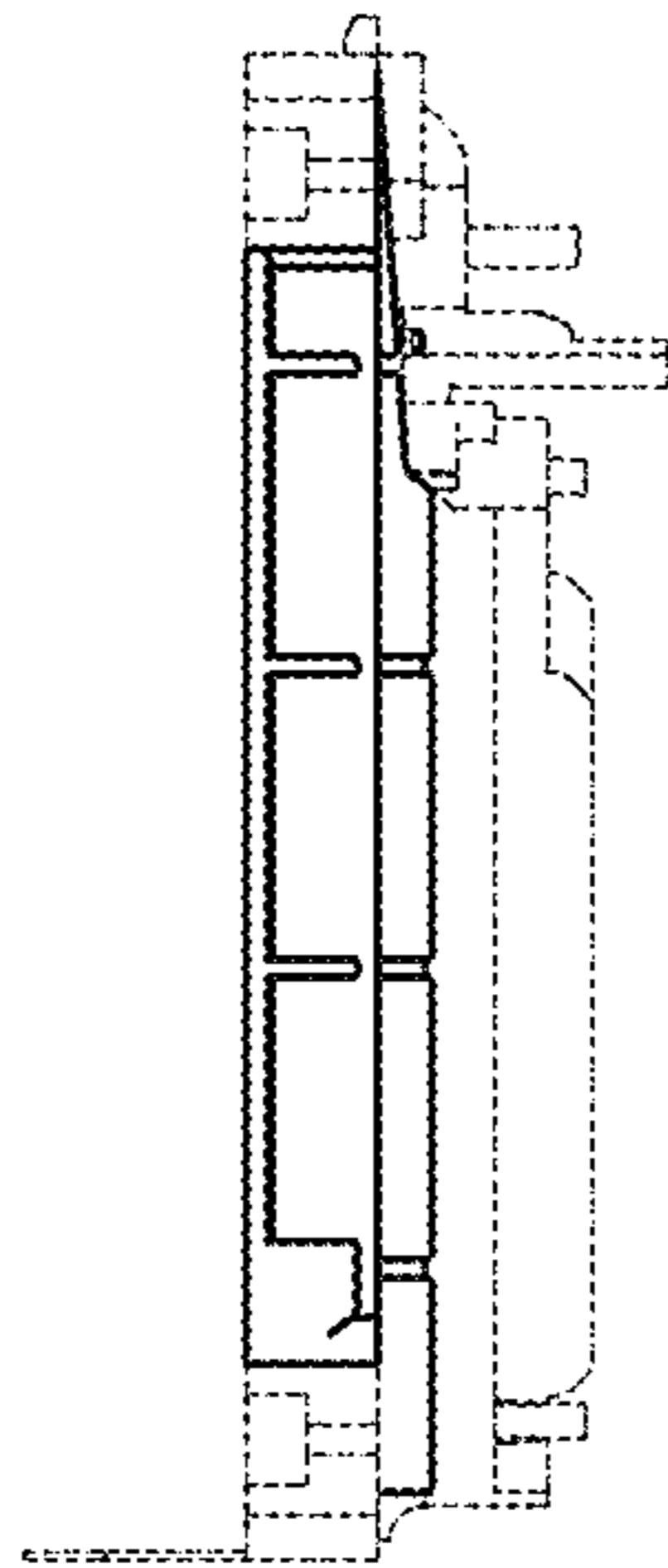
【FIG. 2】



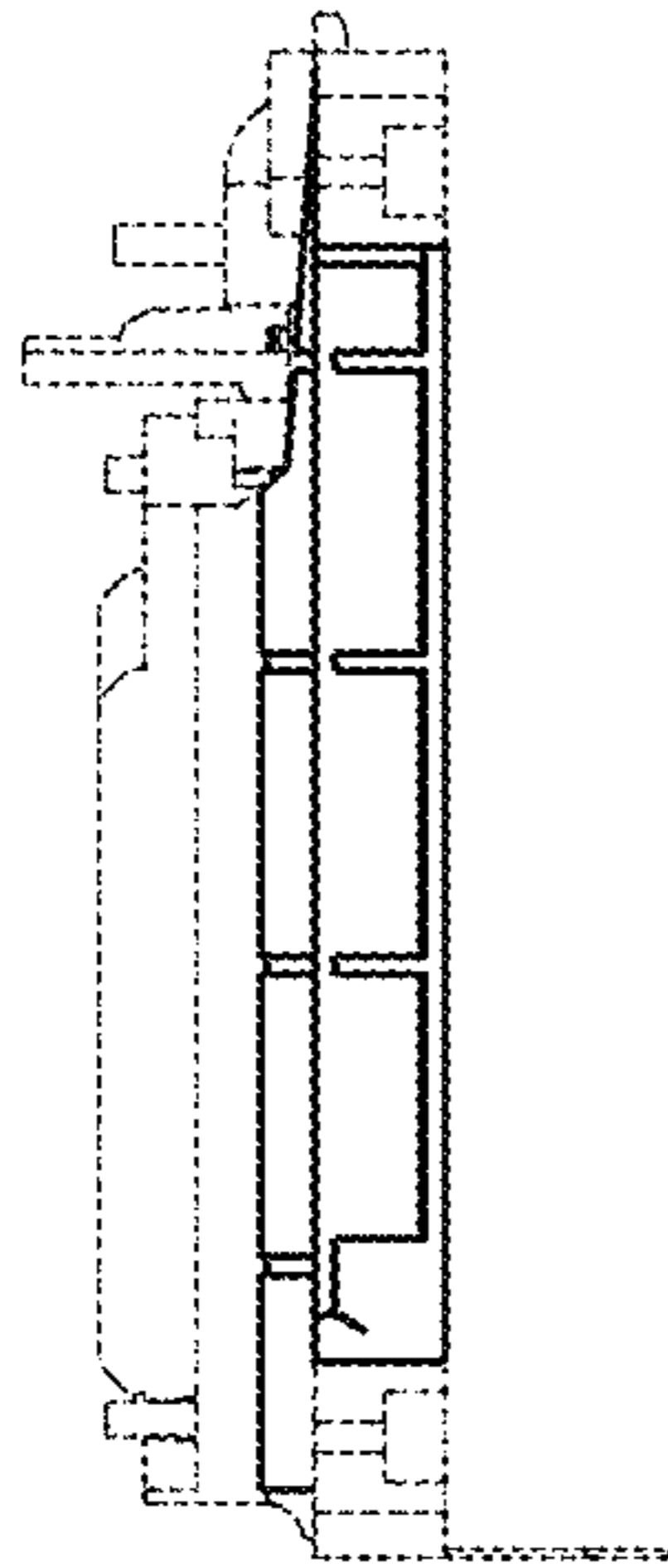
【FIG. 3】



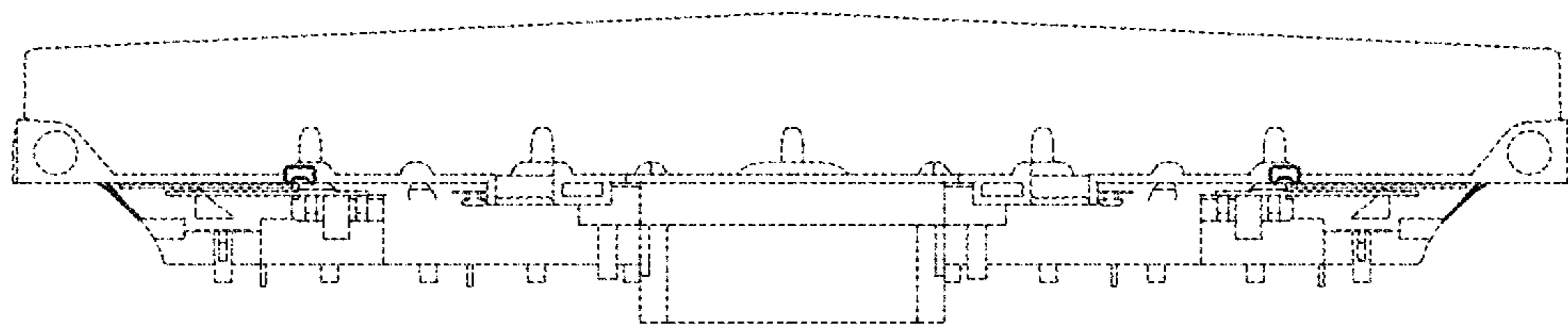
【FIG. 4】



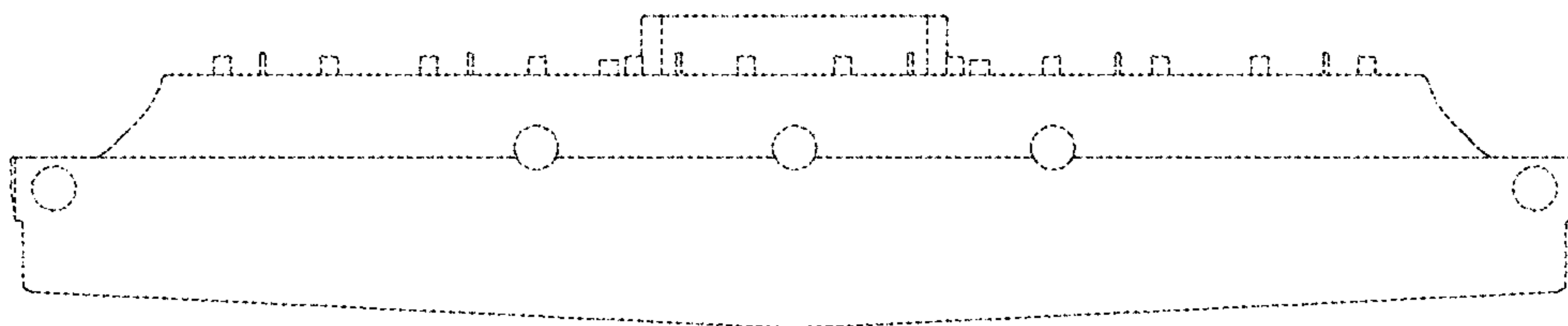
【FIG. 5】



【FIG. 6】



【FIG. 7】



【FIG. 8】

