



US00D920902S

(12) **United States Design Patent**
Ueda et al.

(10) **Patent No.:** **US D920,902 S**
(45) **Date of Patent:** **** Jun. 1, 2021**

(54) **BATTERY**

(71) Applicant: **SANYO Electric Co., Ltd.**, Daito (JP)

(72) Inventors: **Tomomichi Ueda**, Osaka (JP);
Kazumichi Shimizu, Osaka (JP);
Shinya Mori, Hyogo (JP)

(73) Assignee: **SANYO Electric Co., Ltd.**, Osaka (JP)

(**) Term: **15 Years**

(21) Appl. No.: **29/695,909**

(22) Filed: **Jun. 24, 2019**

(30) **Foreign Application Priority Data**

Dec. 27, 2018 (JP) 2018-028611

(51) **LOC (13) Cl.** **13-02**

(52) **U.S. Cl.**
USPC **D13/103**

(58) **Field of Classification Search**

USPC D13/102, 104–106, 110, 118–119, 184;
D24/189; D20/10, 11, 40; D2/502;
D5/56, 60, 63, 66

CPC Y02E 60/12; Y02E 60/122; Y02E 60/124;
Y02E 60/50; H01M 2/02; H01M 2/022;
H01M 2/0202; H01M 2/0207; H01M
2/0212; H01M 2/1061; H01M 2/1022;
H01M 2/1055; H01M 2/1066; H01M
2/105; H01M 2/204; H01M 10/4257;
H01M 10/0436; H01M 10/48

See application file for complete search history.

(56) **References Cited**

U.S. PATENT DOCUMENTS

D597,779 S * 8/2009 Hoyle D6/608
D634,552 S * 3/2011 Bischoff D5/56
D636,607 S * 4/2011 Withers A47J 36/02
D5/56

D728,245 S * 5/2015 Haverfield D5/60
D765,993 S * 9/2016 Palzewicz D5/53
D823,608 S * 7/2018 Stephani D5/56
D852,512 S * 7/2019 Toelke D5/59
D852,513 S * 7/2019 Toelke D5/59
D852,514 S * 7/2019 Toelke D5/59
D879,972 S * 3/2020 Caneppele D24/189

(Continued)

FOREIGN PATENT DOCUMENTS

JP 2016-207412 A 12/2016
WO WO 2019/004039 A1 1/2019

Primary Examiner — Catherine S Posthauer

Assistant Examiner — Alison M Ofstun

(74) *Attorney, Agent, or Firm* — Brinks Gilson & Lione

(57) **CLAIM**

We claim the ornamental design for a battery, as shown and described.

DESCRIPTION

FIG. 1 is a perspective view of a battery showing our new design;

FIG. 2 is a front view thereof;

FIG. 3 is a right side view thereof;

FIG. 4 is a left side view thereof;

FIG. 5 is a top view thereof;

FIG. 6 is a bottom view thereof;

FIG. 7 is a rear view thereof;

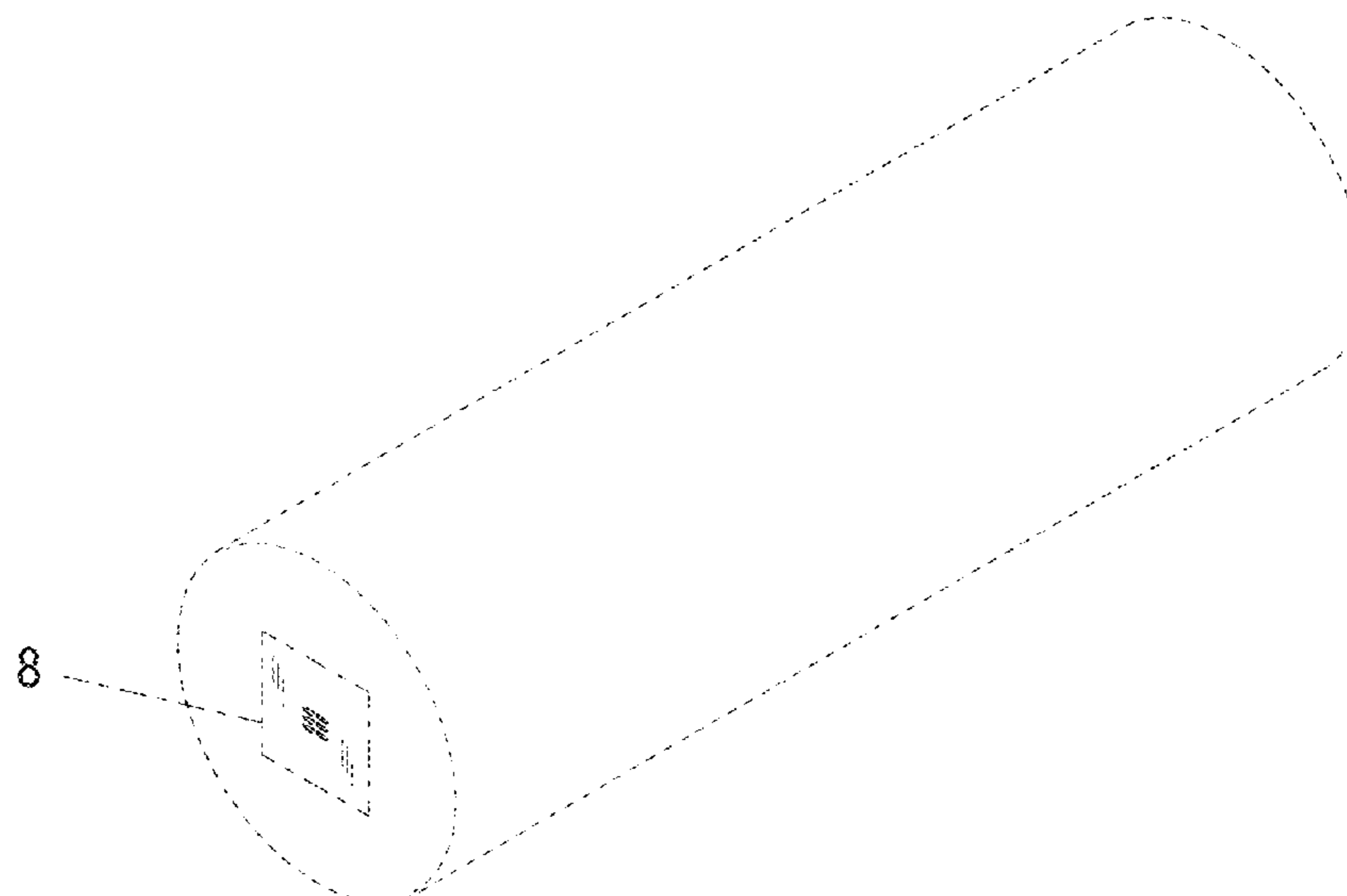
FIG. 8 is an enlarged view of portion “8” as shown in FIG. 1;

FIG. 9 is a cross-sectional view taken along lines 9 of FIG. 2; and,

FIG. 10 is an enlarged view of portion “10” as shown in FIG. 9.

In the drawings, the evenly spaced broken lines illustrate portions of the battery which form no part of the claimed design. The dot-dash lines illustrate enlarged view indicators and a boundary to the claim and form no part thereof.

1 Claim, 10 Drawing Sheets



(56)

References Cited

U.S. PATENT DOCUMENTS

D880,705 S * 4/2020 Caneppele D24/189
D882,277 S * 4/2020 Delaney D5/63
D900,486 S * 11/2020 Steenblock D5/59
2014/0011079 A1* 1/2014 Davidson B25B 15/004
429/178
2020/0259133 A1* 8/2020 Tominaga H01M 2/263

* cited by examiner

FIG. 1

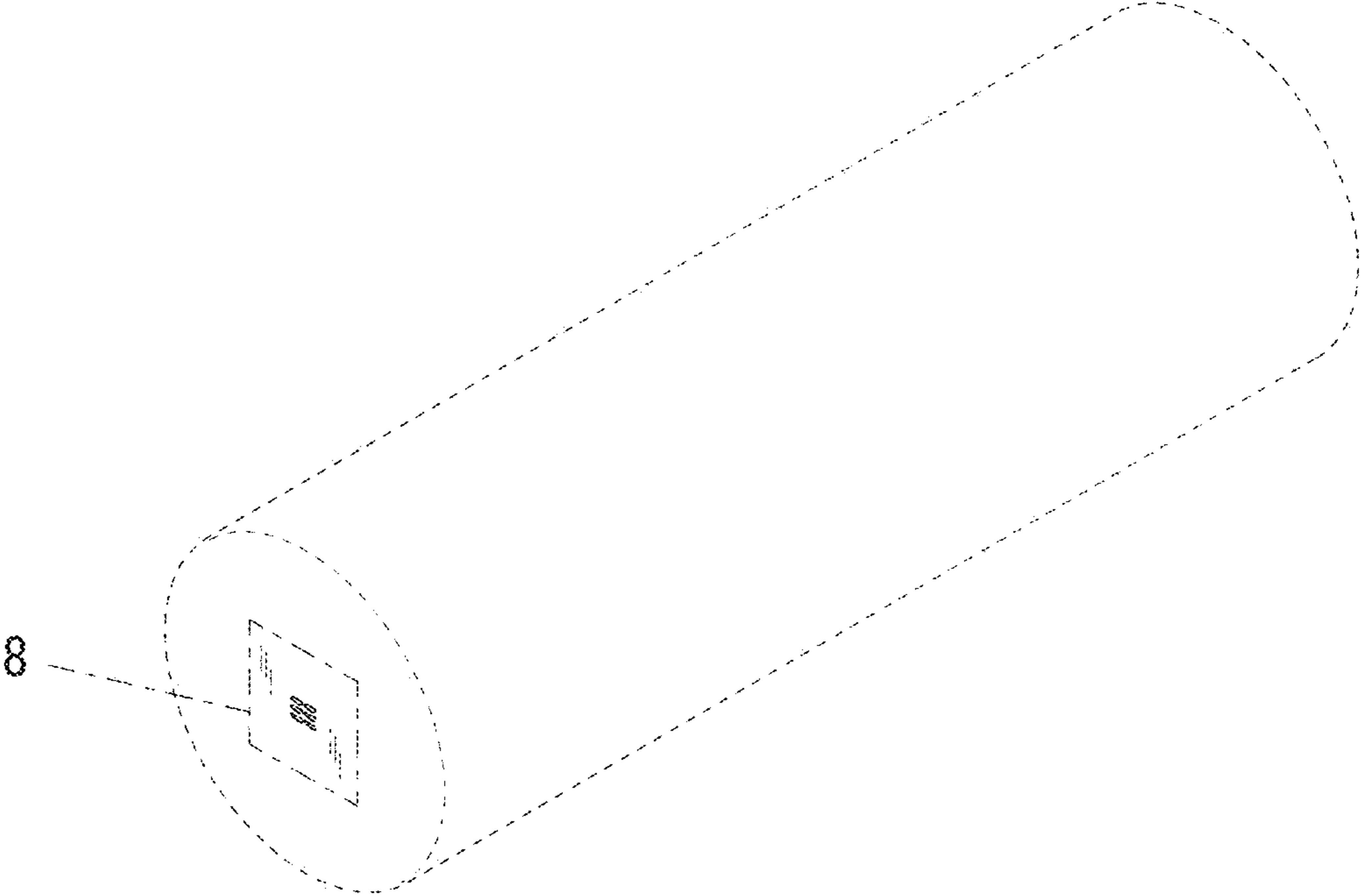


FIG. 2

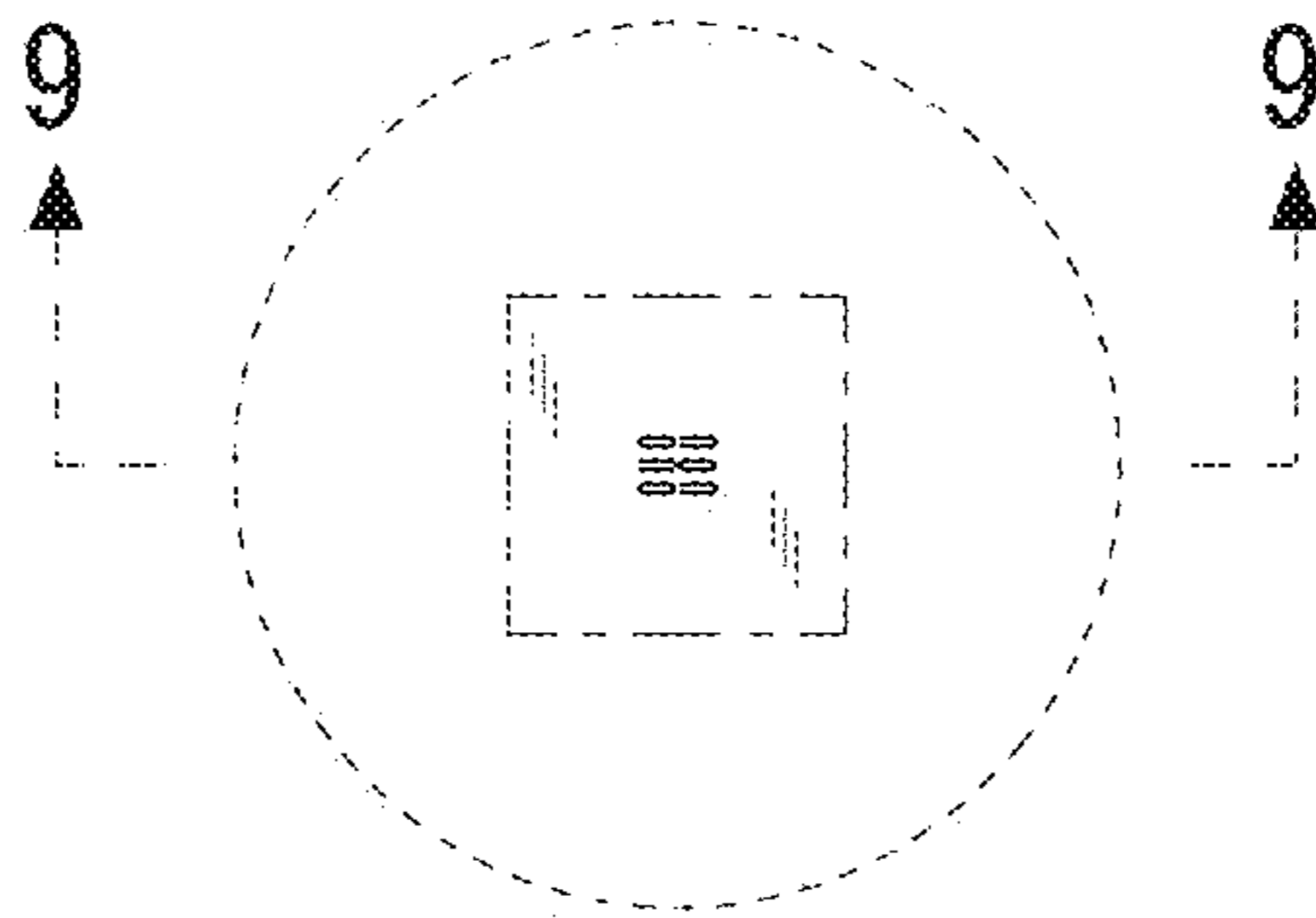


FIG. 3



FIG. 4



FIG. 5

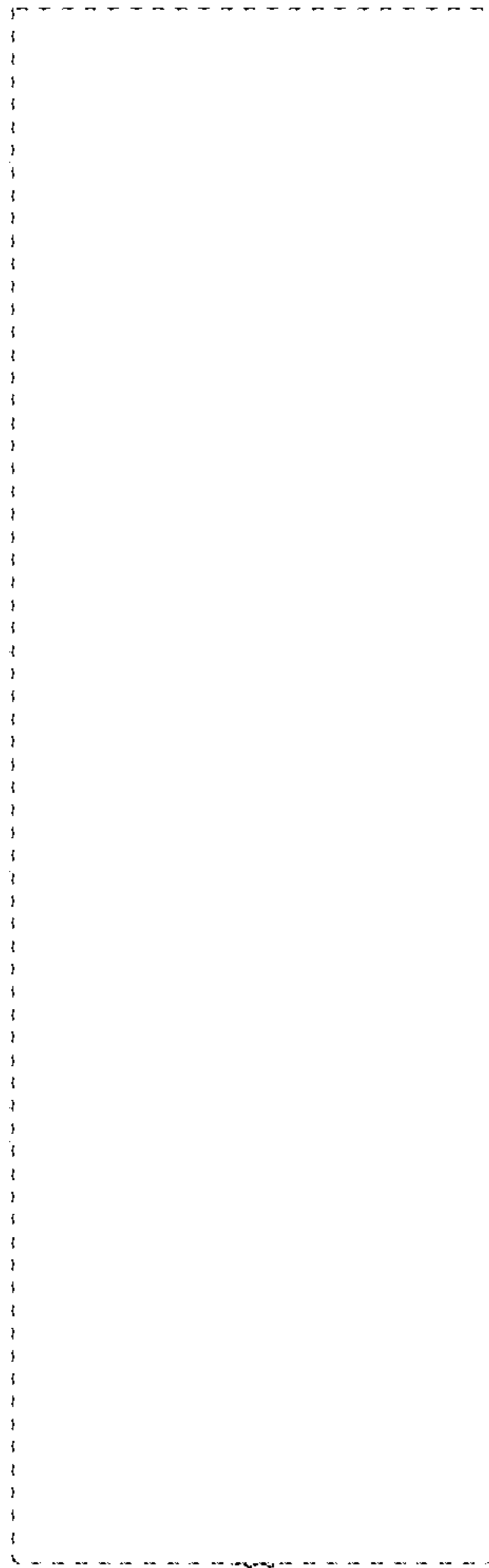


FIG. 6

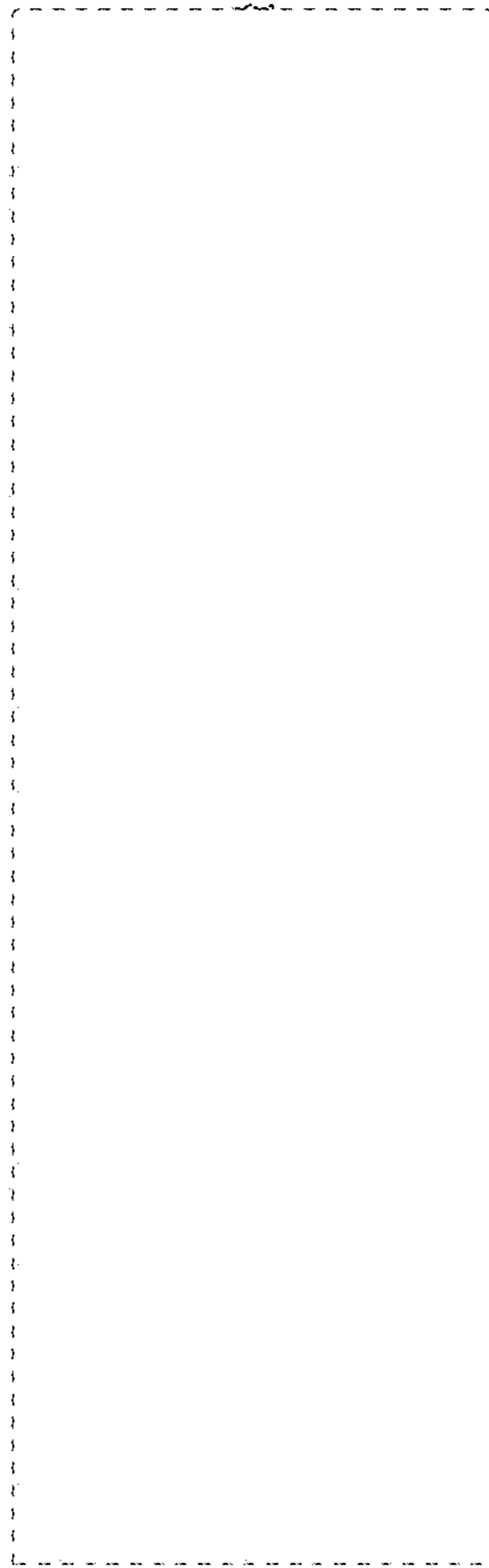


FIG. 7

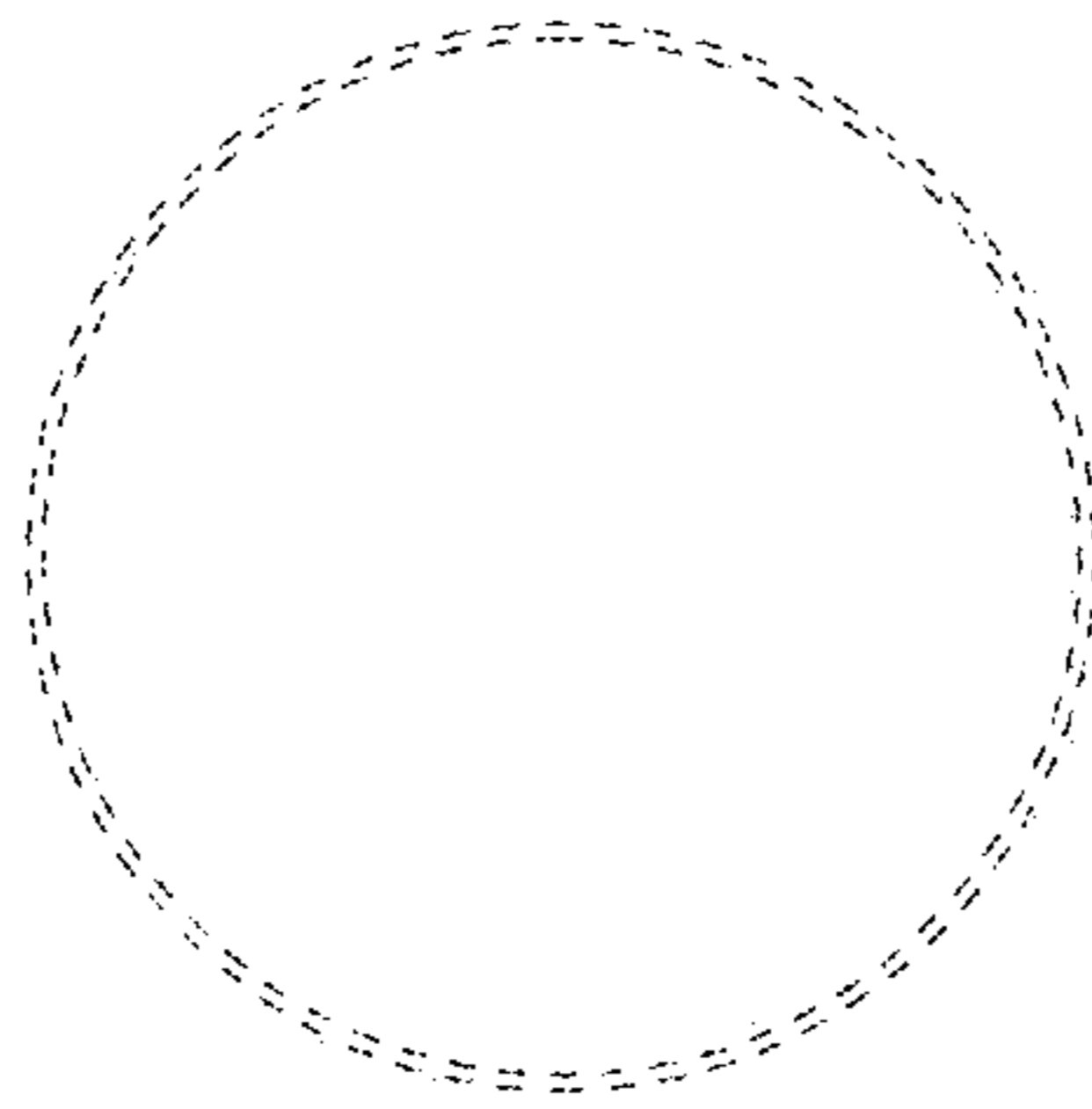


FIG. 8

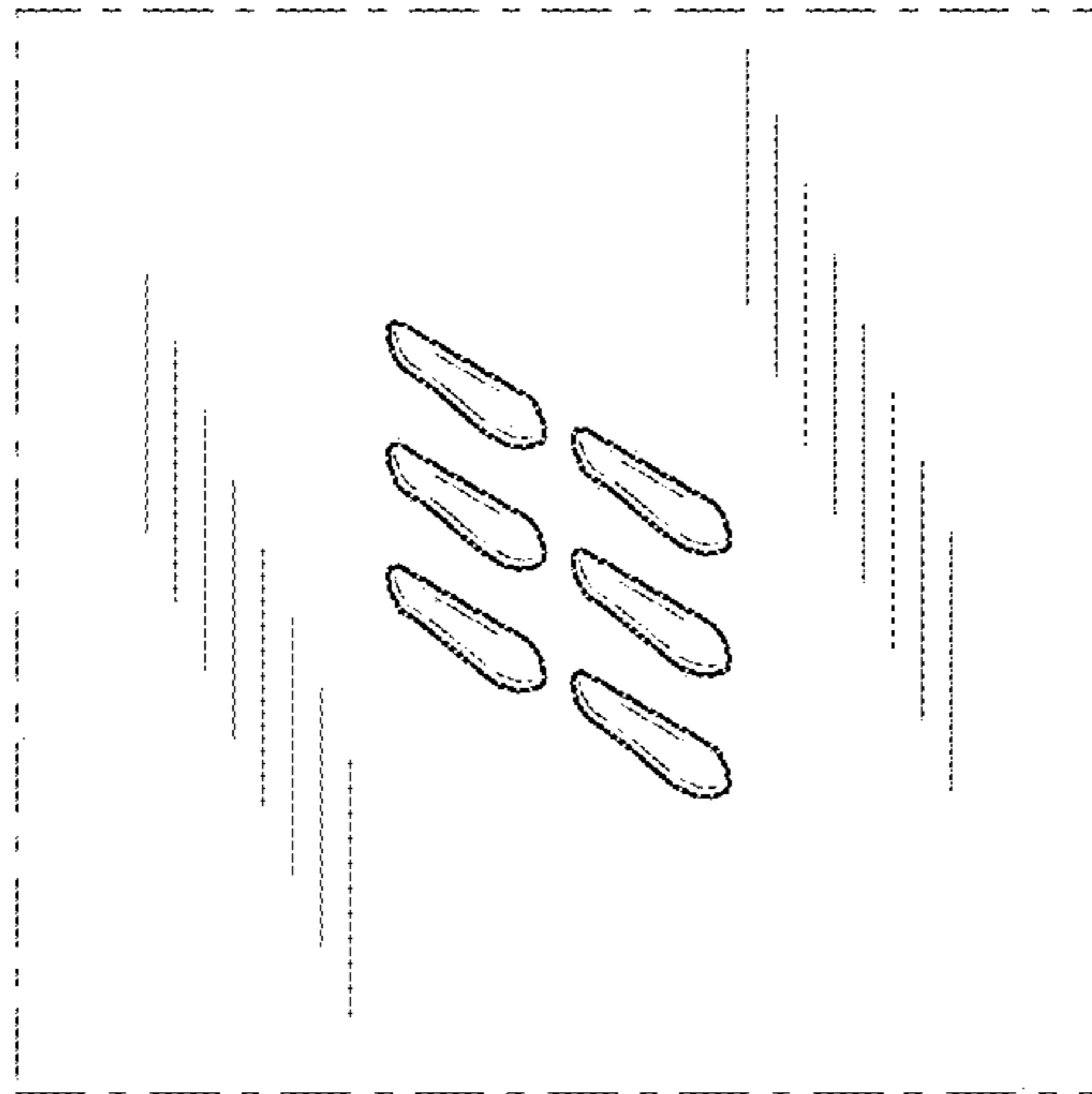


FIG. 9

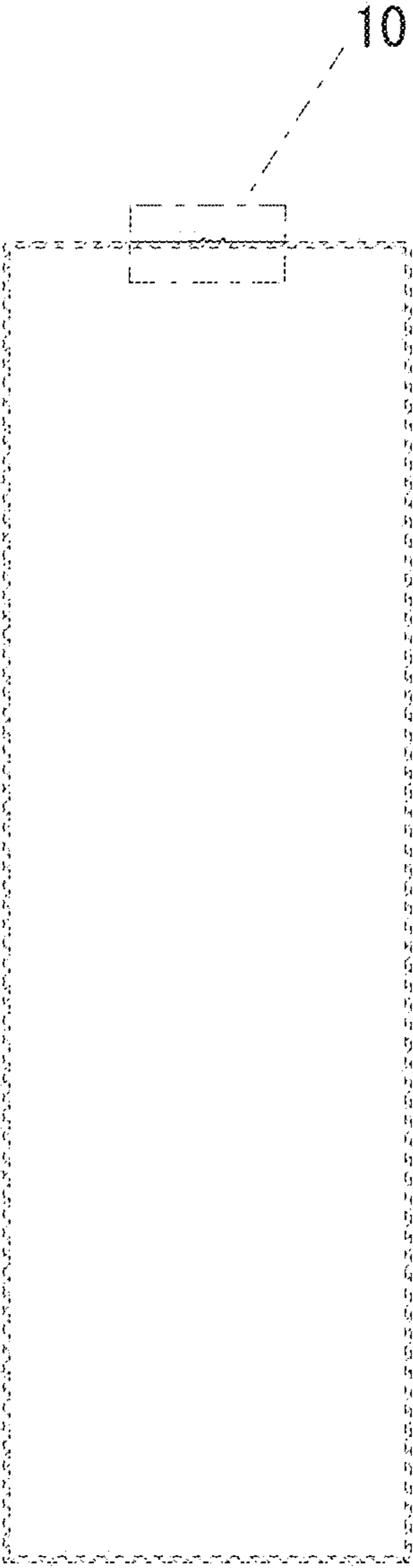


FIG. 10

