



US00D920901S

(12) **United States Design Patent** (10) **Patent No.:** **US D920,901 S**  
**Ueda et al.** (45) **Date of Patent:** **\*\* Jun. 1, 2021**

(54) **BATTERY**

(71) Applicant: **SANYO Electric Co., Ltd.**, Daito (JP)

(72) Inventors: **Tomomichi Ueda**, Osaka (JP);  
**Kazumichi Shimizu**, Osaka (JP);  
**Shinya Mori**, Hyogo (JP)

(73) Assignee: **SANYO Electric Co., Ltd.**, Osaka (JP)

(\*\*) Term: **15 Years**

(21) Appl. No.: **29/695,907**

(22) Filed: **Jun. 24, 2019**

(30) **Foreign Application Priority Data**

Dec. 27, 2018 (JP) ..... 2018-028613

(51) **LOC (13) Cl.** ..... **13-02**

(52) **U.S. Cl.**  
USPC ..... **D13/103**

(58) **Field of Classification Search**

USPC ..... D13/102, 104–106, 110, 118–119, 184;  
D24/189; D20/10, 11, 40; D2/502;  
D5/56, 60, 63, 66

CPC ..... Y02E 60/12; Y02E 60/122; Y02E 60/124;  
Y02E 60/50; H01M 2/02; H01M 2/022;  
H01M 2/0202; H01M 2/0207; H01M  
2/0212; H01M 2/1061; H01M 2/1022;  
H01M 2/1055; H01M 2/1066; H01M  
2/105; H01M 2/204; H01M 10/4257;  
H01M 10/0436; H01M 10/48

See application file for complete search history.

(56) **References Cited**

**U.S. PATENT DOCUMENTS**

D597,779 S \* 8/2009 Hoyle ..... D6/608  
D634,552 S \* 3/2011 Bischoff ..... D5/56  
D636,607 S \* 4/2011 Withers ..... A47J 36/02  
D5/56

D728,245 S \* 5/2015 Haverfield ..... D5/60  
D765,993 S \* 9/2016 Palzewicz ..... D5/53  
D823,608 S \* 7/2018 Stephani ..... D5/56  
D852,512 S \* 7/2019 Toelke ..... D5/59  
D852,513 S \* 7/2019 Toelke ..... D5/59  
D852,514 S \* 7/2019 Toelke ..... D5/59  
D879,972 S \* 3/2020 Caneppele ..... D24/189

(Continued)

**FOREIGN PATENT DOCUMENTS**

JP 2016-207412 A 12/2016  
WO WO 2019/004039 A1 1/2019

*Primary Examiner* — Catherine S Posthauer

*Assistant Examiner* — Alison M Ofstun

(74) *Attorney, Agent, or Firm* — Brinks Gilson & Lione

(57) **CLAIM**

We claim the ornamental design for a battery, as shown and described.

**DESCRIPTION**

FIG. 1 is a perspective view of a battery showing our new design;

FIG. 2 is a front view thereof;

FIG. 3 is a right side view thereof;

FIG. 4 is a left side view thereof;

FIG. 5 is a top view thereof;

FIG. 6 is a bottom view thereof;

FIG. 7 is a rear view thereof;

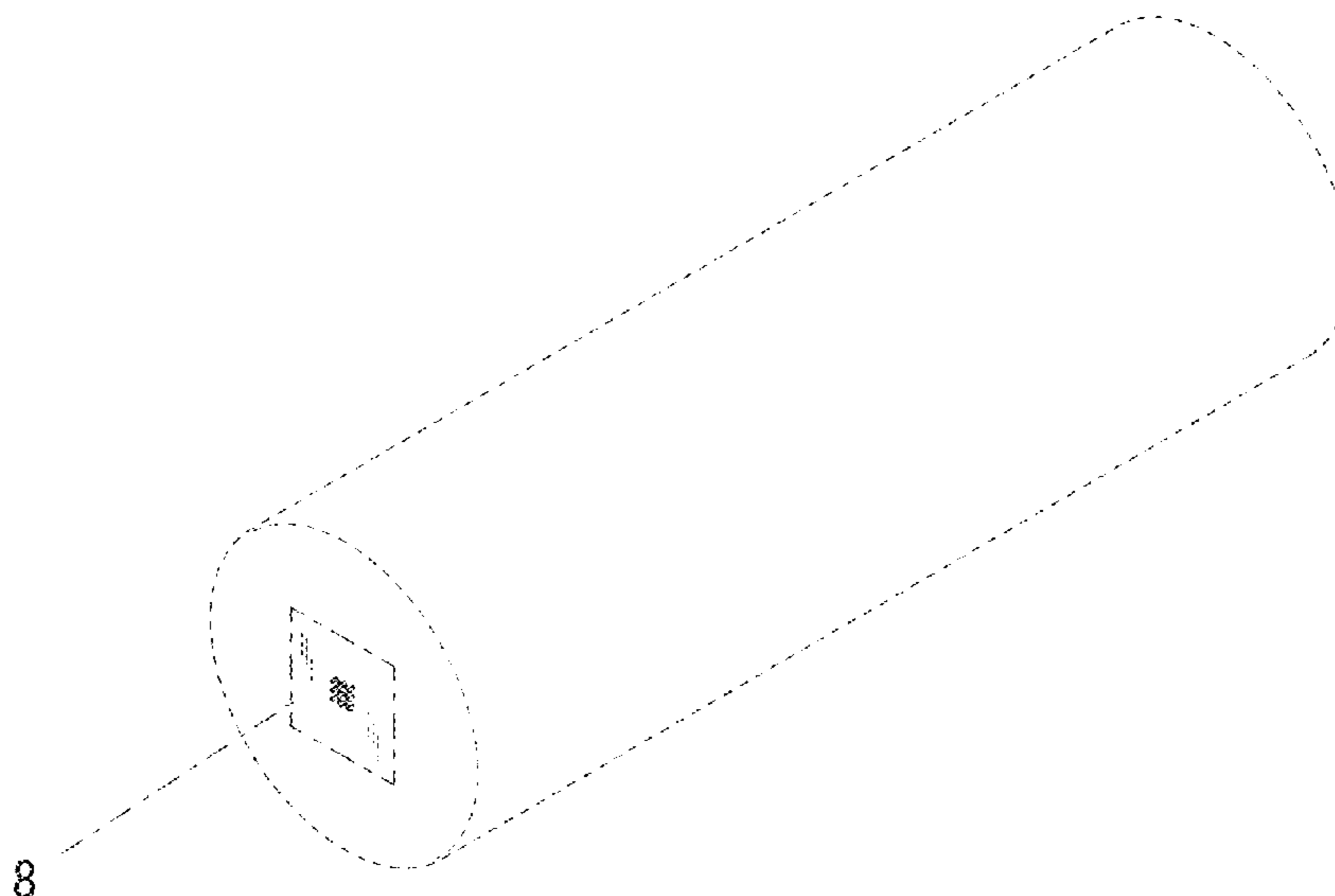
FIG. 8 is an enlarged view of portion “8” as shown in FIG. 1;

FIG. 9 is a cross-sectional view taken along lines 9 of FIG. 2; and,

FIG. 10 is an enlarged view of portion “10” as shown in FIG. 9.

In the drawings, the evenly spaced broken lines illustrate portions of the battery which form no part of the claimed design. The dot-dash lines illustrate enlarged view indicators and a boundary to the claim and form no part thereof.

**1 Claim, 10 Drawing Sheets**



(56)

**References Cited**

U.S. PATENT DOCUMENTS

D880,705 S \* 4/2020 Caneppele ..... D24/189  
D882,277 S \* 4/2020 Delaney ..... D5/63  
D900,486 S \* 11/2020 Steenblock ..... D5/59  
2014/0011079 A1\* 1/2014 Davidson ..... B25B 15/004  
429/178  
2020/0259133 A1\* 8/2020 Tominaga ..... H01M 2/263

\* cited by examiner

FIG. 1

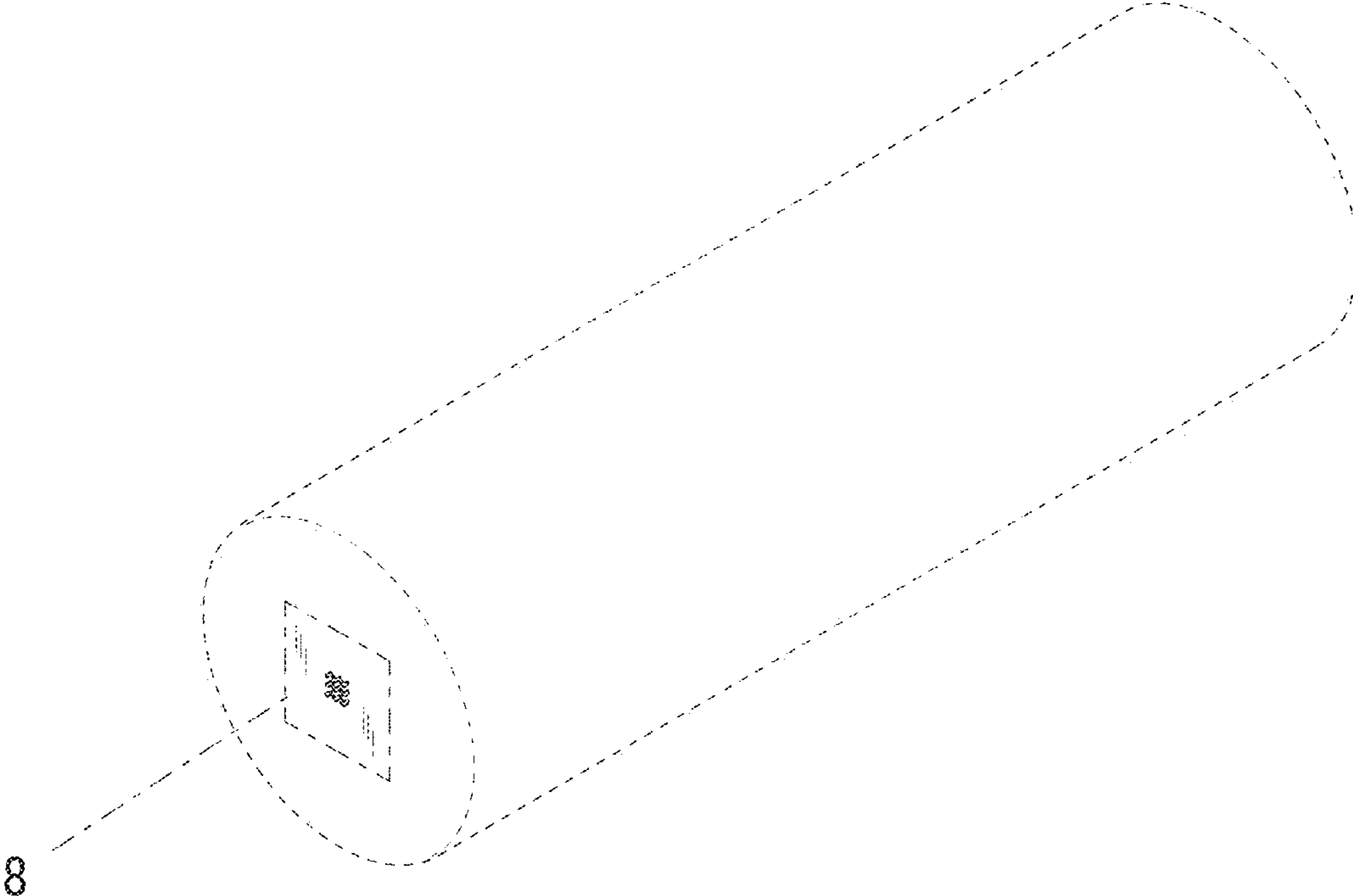


FIG. 2

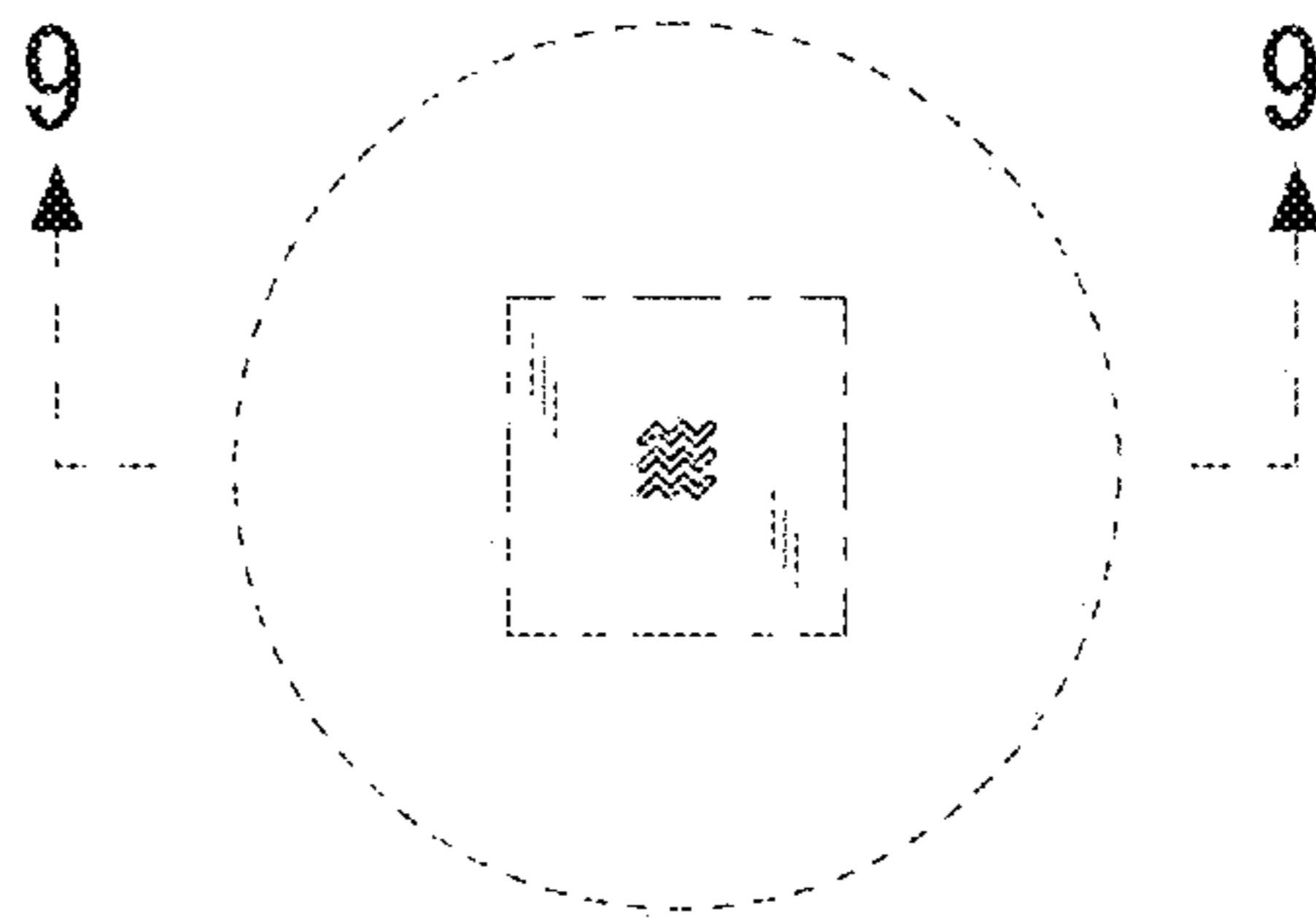


FIG. 3



FIG. 4



FIG. 5

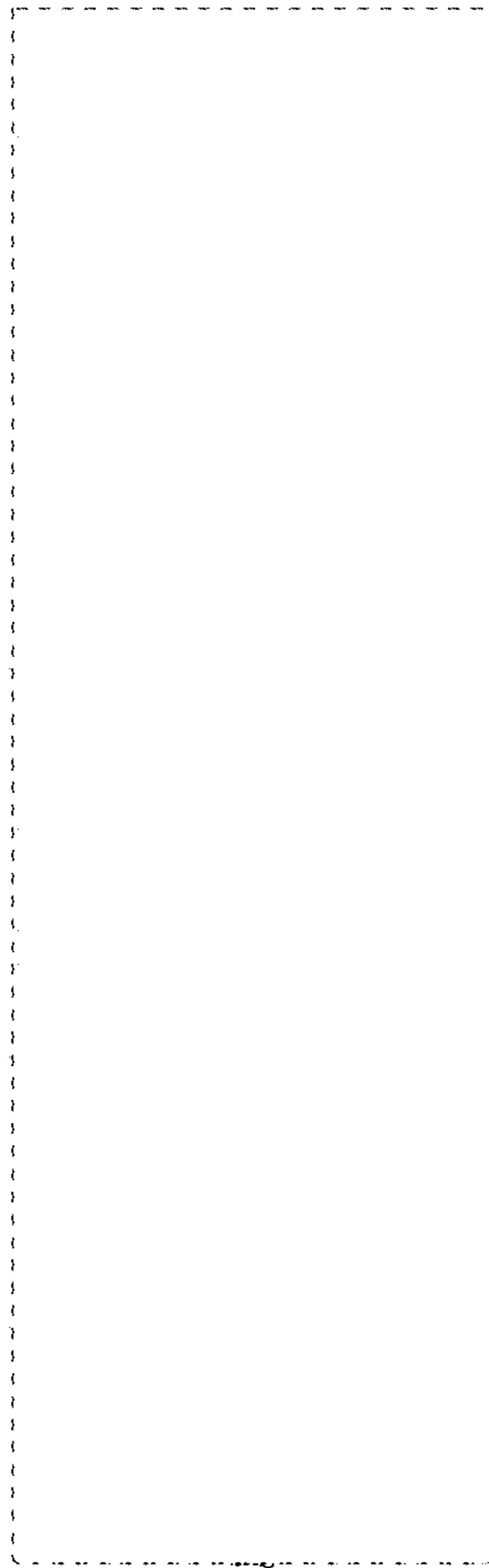


FIG. 6

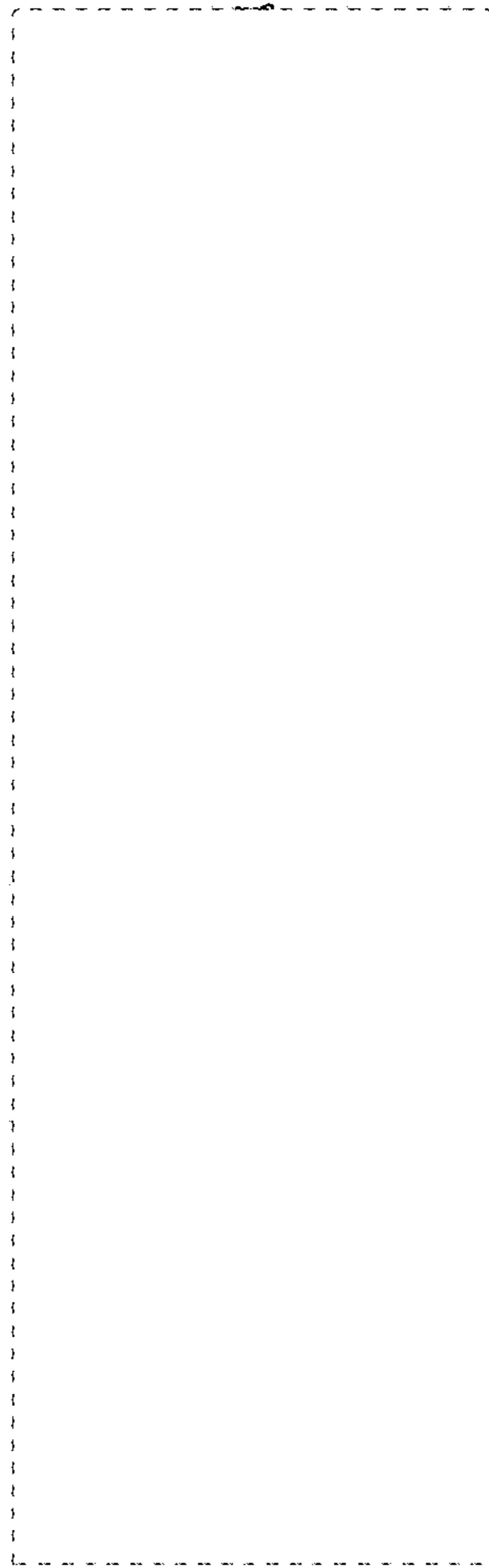




FIG. 7

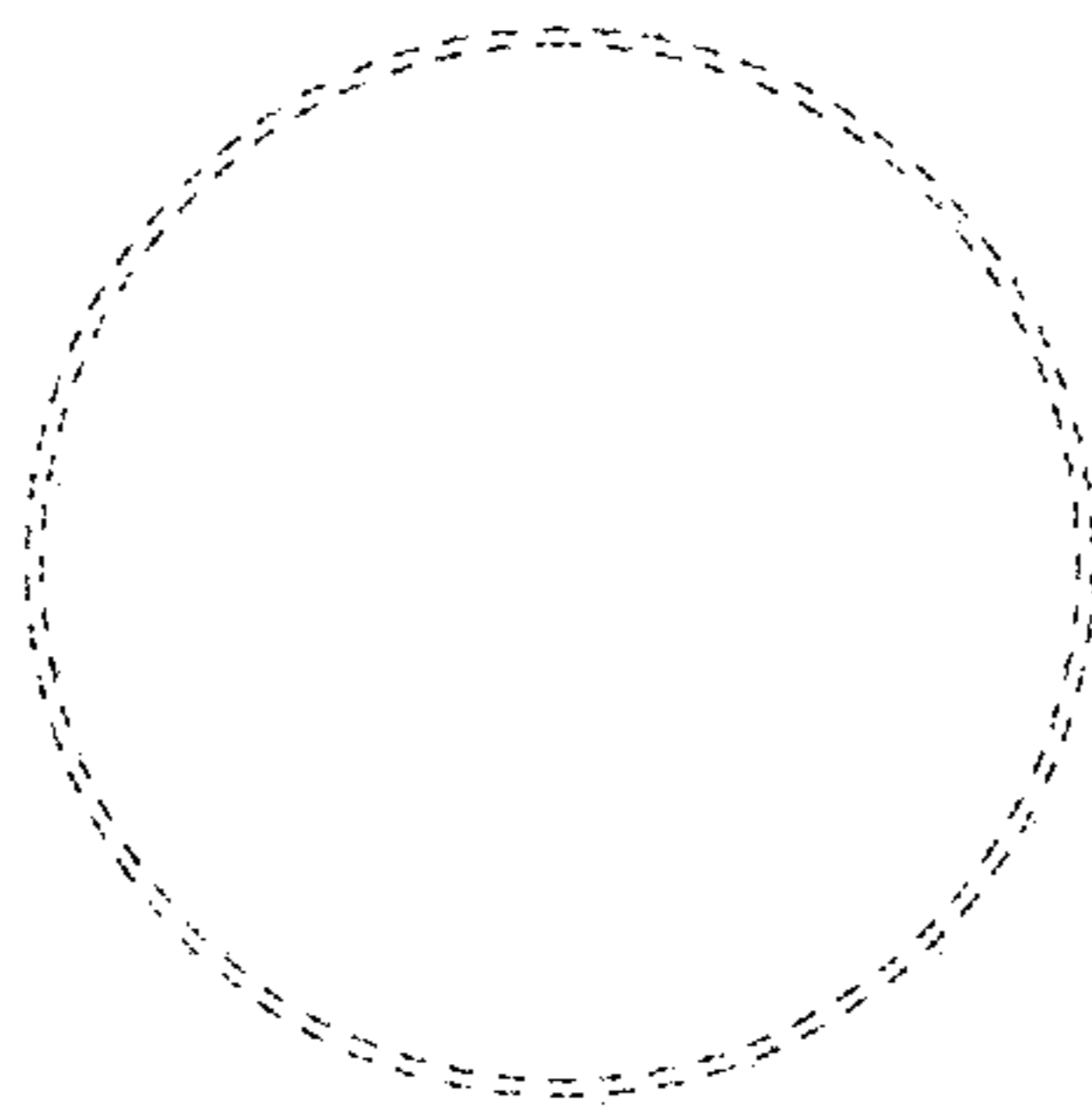


FIG. 8

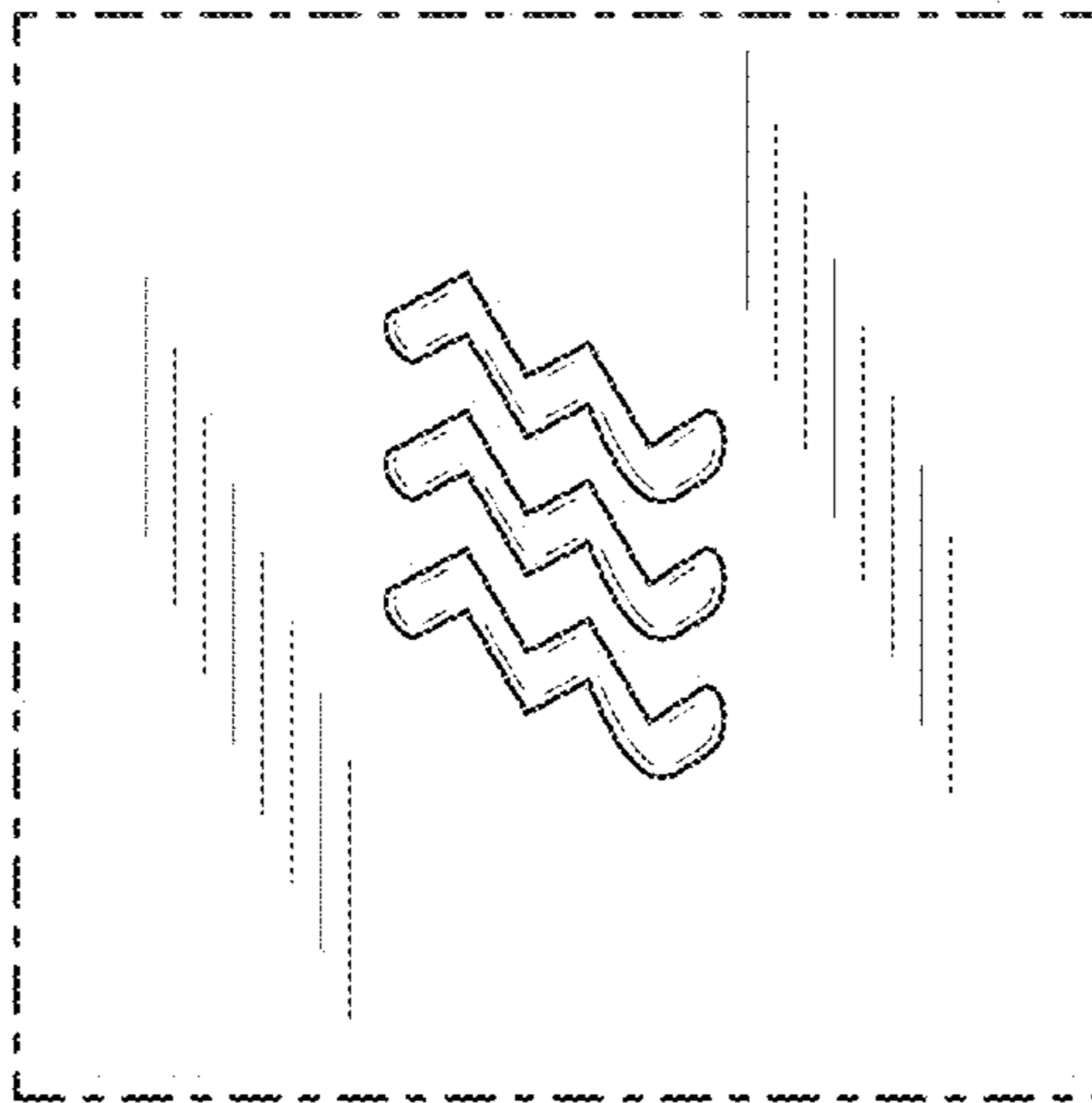


FIG. 9

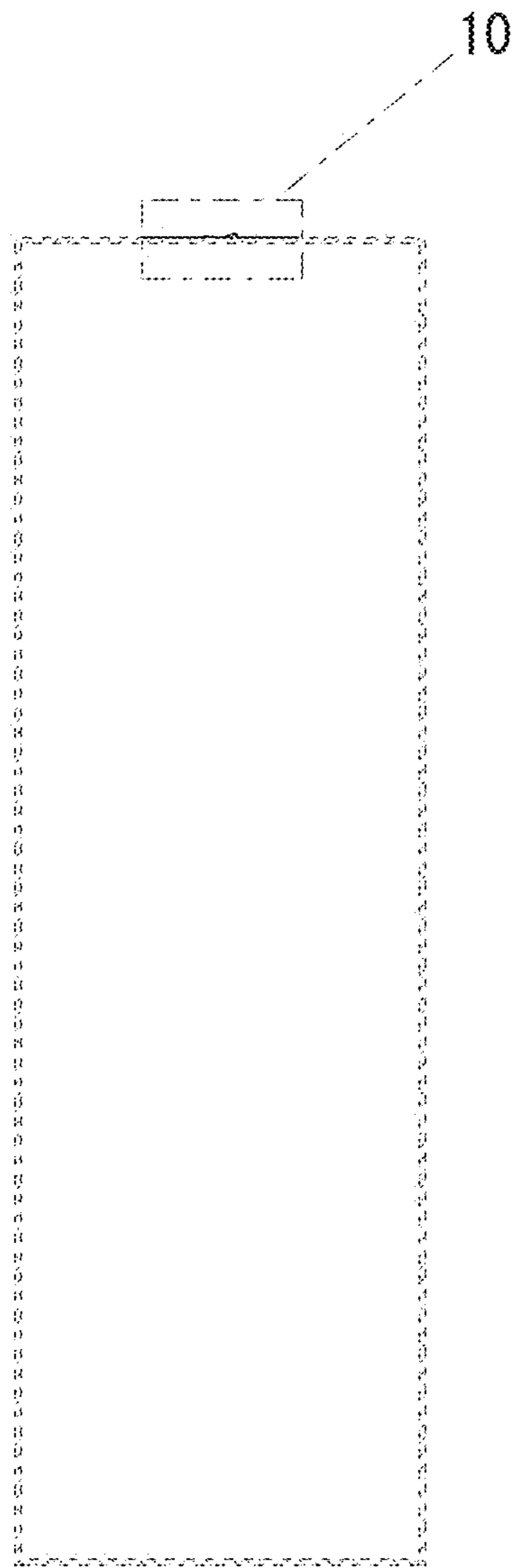


FIG. 10

