



US00D920898S

(12) **United States Design Patent**
Magee

(10) **Patent No.:** **US D920,898 S**

(45) **Date of Patent:** **** Jun. 1, 2021**

(54) **SOLAR-POWERED ELECTRIC GENERATOR**

(71) Applicant: **Biglyhalls LLC**, Port Hueneme, CA
(US)

(72) Inventor: **Timothy Magee**, Port Hueneme, CA
(US)

(73) Assignee: **Biglyhalls LLC**, Port Hueneme, CA
(US)

(**) Term: **15 Years**

(21) Appl. No.: **29/705,628**

(22) Filed: **Sep. 13, 2019**

(51) **LOC (13) Cl.** **13-02**

(52) **U.S. Cl.**
USPC **D13/102; D13/116**

(58) **Field of Classification Search**
USPC D13/101, 102, 103, 106, 107, 110, 111,
D13/112, 116, 118, 119, 121, 129, 133,
D13/154, 155, 165, 199; D8/300, 303;
D25/41.1
CPC H01L 31/0475; H02S 30/10; F24S 25/33
See application file for complete search history.

(56) **References Cited**

U.S. PATENT DOCUMENTS

D486,447 S *	2/2004	Fan	D13/114
6,758,169 B2 *	7/2004	Suzuki	F02B 63/04 123/3
D501,182 S *	1/2005	Buck	D13/110
D659,088 S *	5/2012	Steinberg	D13/106
D705,166 S *	5/2014	Shokrzadeh	D13/116
9,149,892 B2 *	10/2015	Liebert	F02B 63/04
D747,269 S *	1/2016	Larrabee	D13/123
D807,816 S *	1/2018	Petrella	D13/102
D828,293 S *	9/2018	Li	D13/102
D840,334 S *	2/2019	Concari	D13/110

D877,062 S *	3/2020	Yin	D13/102
D881,673 S *	4/2020	DeFrancia	D8/303
2008/0283114 A1 *	11/2008	Gray	H02S 40/42 136/245

OTHER PUBLICATIONS

“Champion Inverter”. Found online Sep. 17, 2020 at amazon.com. Reference dated Aug. 24, 2017. Retrieved from https://www.amazon.com/Champion-4000-Watt-Ready-Inverter-Technology/dp/B01M3R711N/ref=asc_df_B01M3R711N/?th=1. (Year: 2017).*
“How To Build A Solar Generator”. Found online Nov. 10, 2020 at modernsurvivalists.com. Reference dated Oct. 15, 2016. Retrieved from <https://www.modernsurvivalists.com/how-to-build-a-2000-watt-solar-generator-part-1/>. (Year: 2016).*

(Continued)

Primary Examiner — Kendra Leslie Hamilton
Assistant Examiner — Amanda Christensen
(74) *Attorney, Agent, or Firm* — Trojan Law Offices

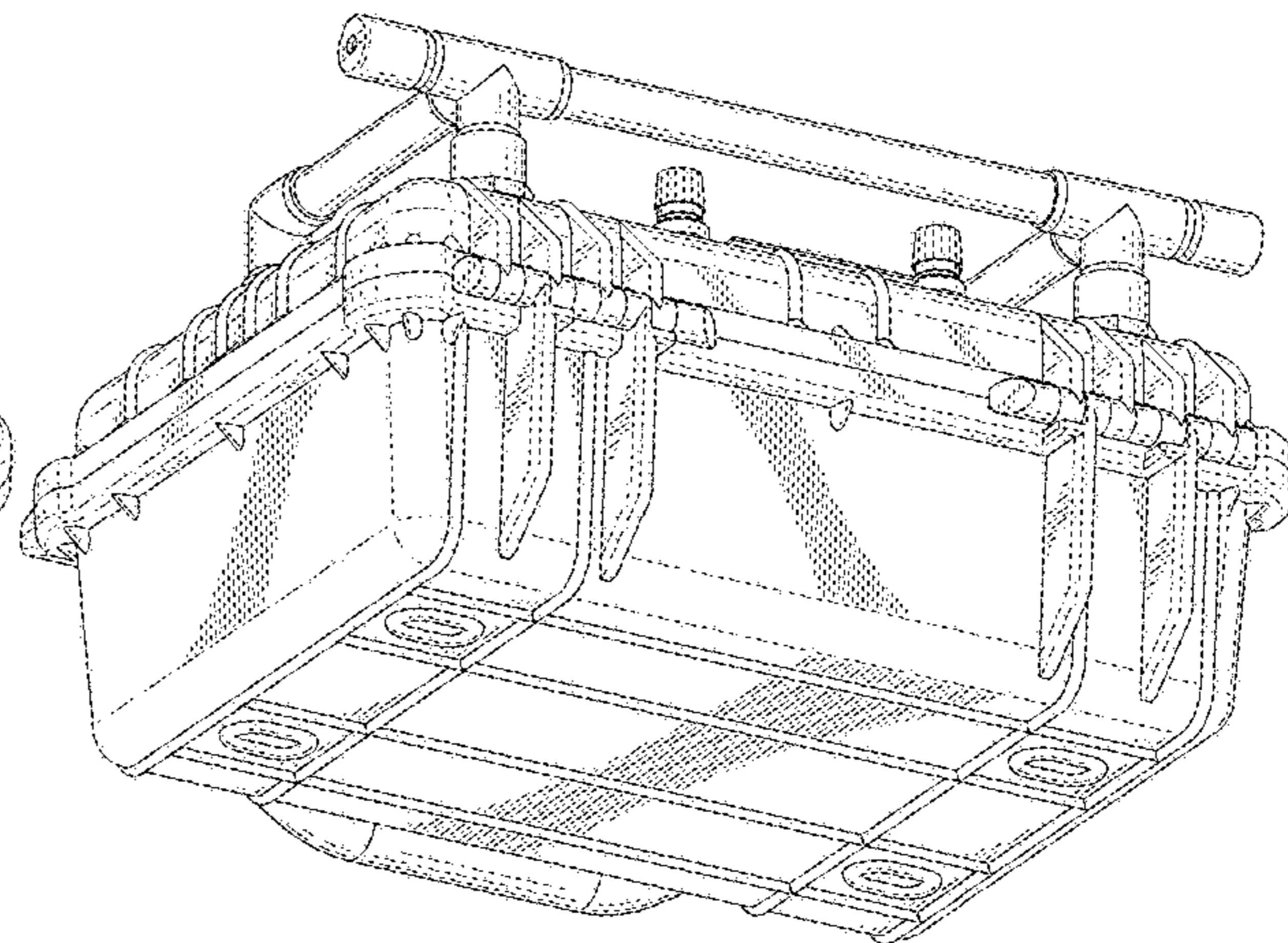
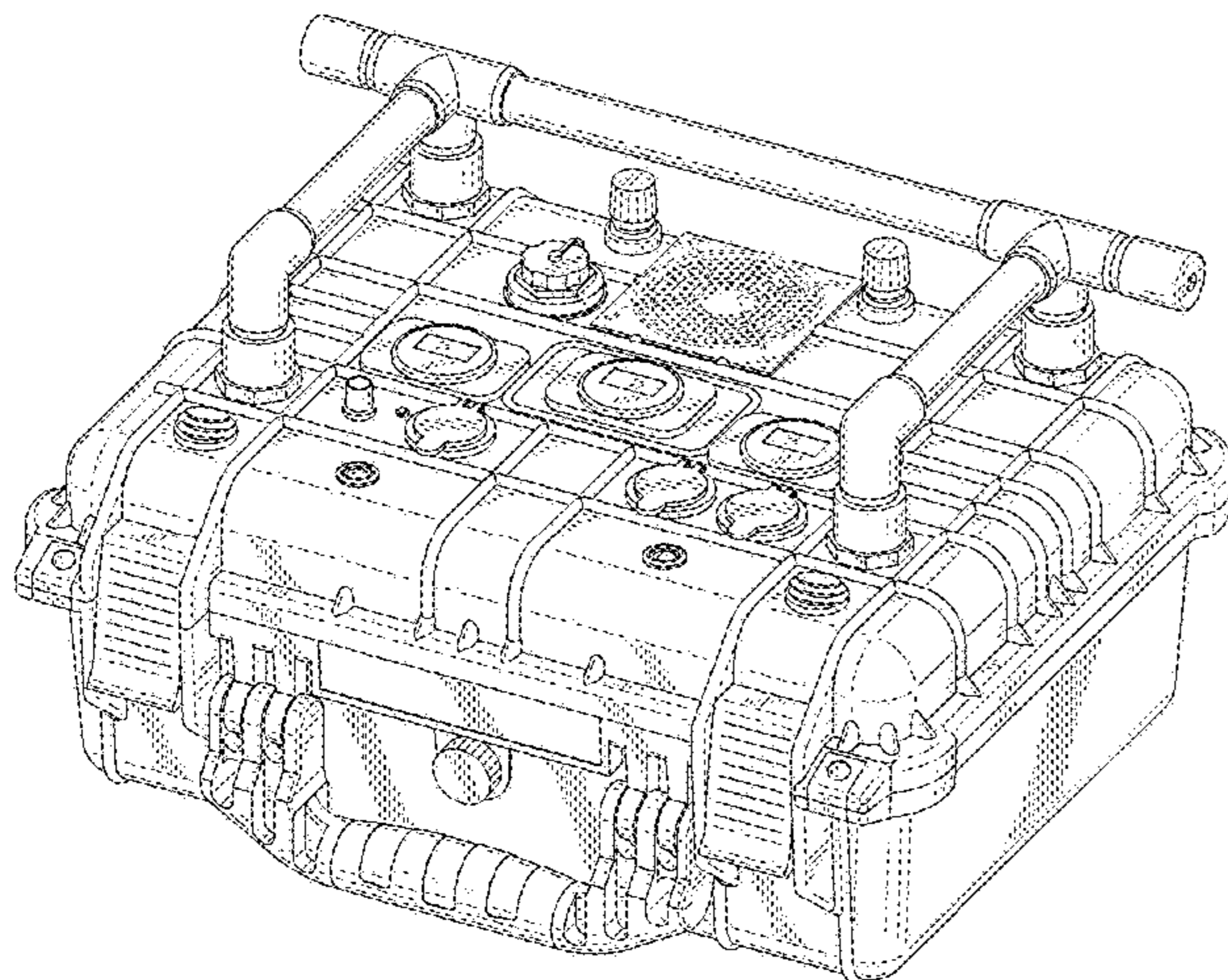
(57) **CLAIM**

The ornamental design for a solar-powered electric generator, as shown and described.

DESCRIPTION

FIG. 1 is a top, front, left side perspective view of a solar-powered electric generator, showing my new design; FIG. 2 is a bottom, rear, left side perspective view thereof; FIG. 3 is a front elevation view thereof; FIG. 4 is a rear elevation view thereof; FIG. 5 is a left side elevation view thereof; FIG. 6 is a right side elevation view thereof; FIG. 7 is a top plan view thereof; and, FIG. 8 is a bottom plan view thereof. The broken lines in the drawings depict portions of the solar-powered electric generator that form no part of the claimed design.

1 Claim, 6 Drawing Sheets



(56)

References Cited

OTHER PUBLICATIONS

“Solar Power Generator”. Found online Nov. 10, 2020 at youtube.com. Reference dated Nov. 4, 2017. Retrieved from https://www.youtube.com/watch?v=m04CXhoQ2jU&feature=emb_logo. (Year: 2017).*

* cited by examiner

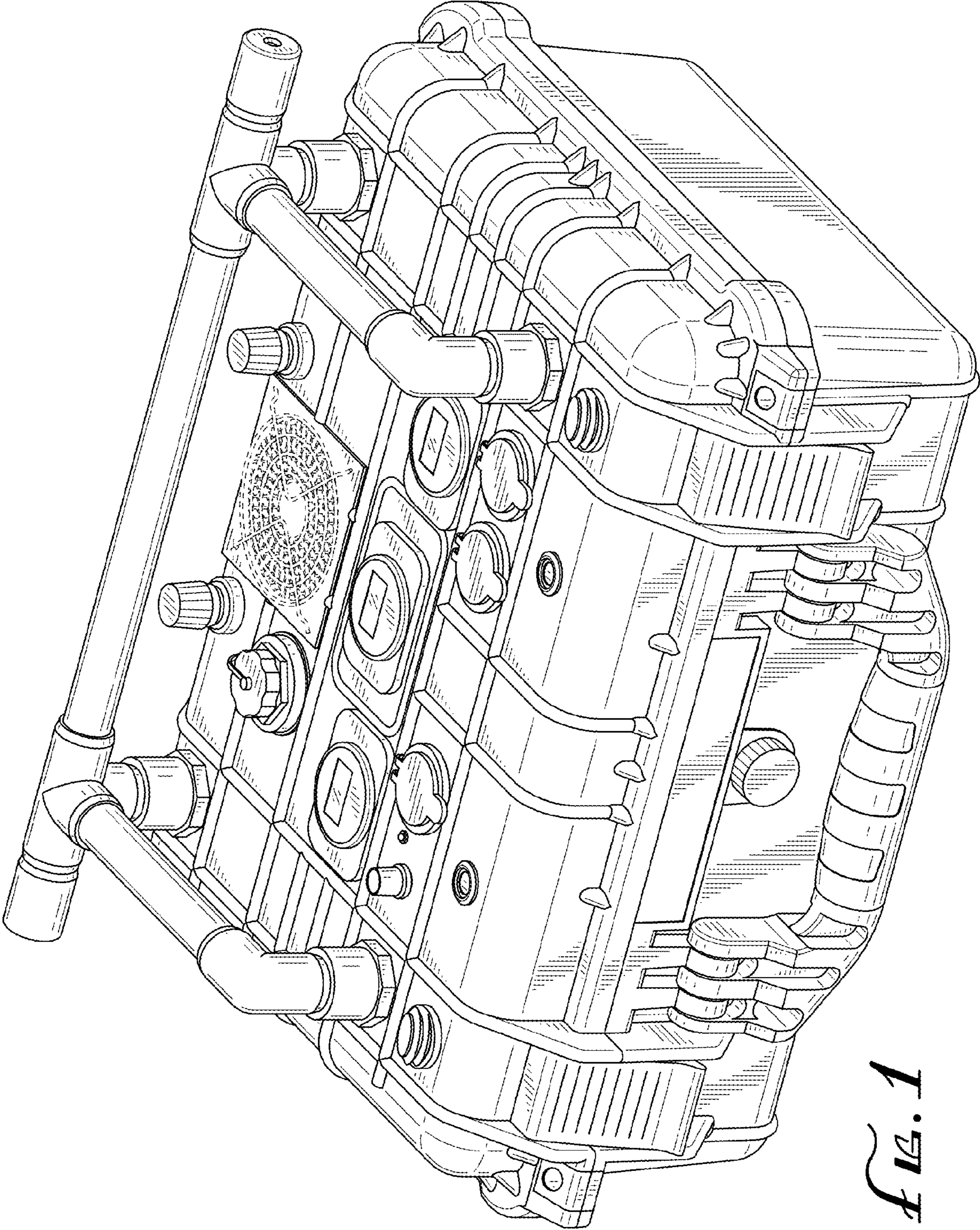


FIG. 1

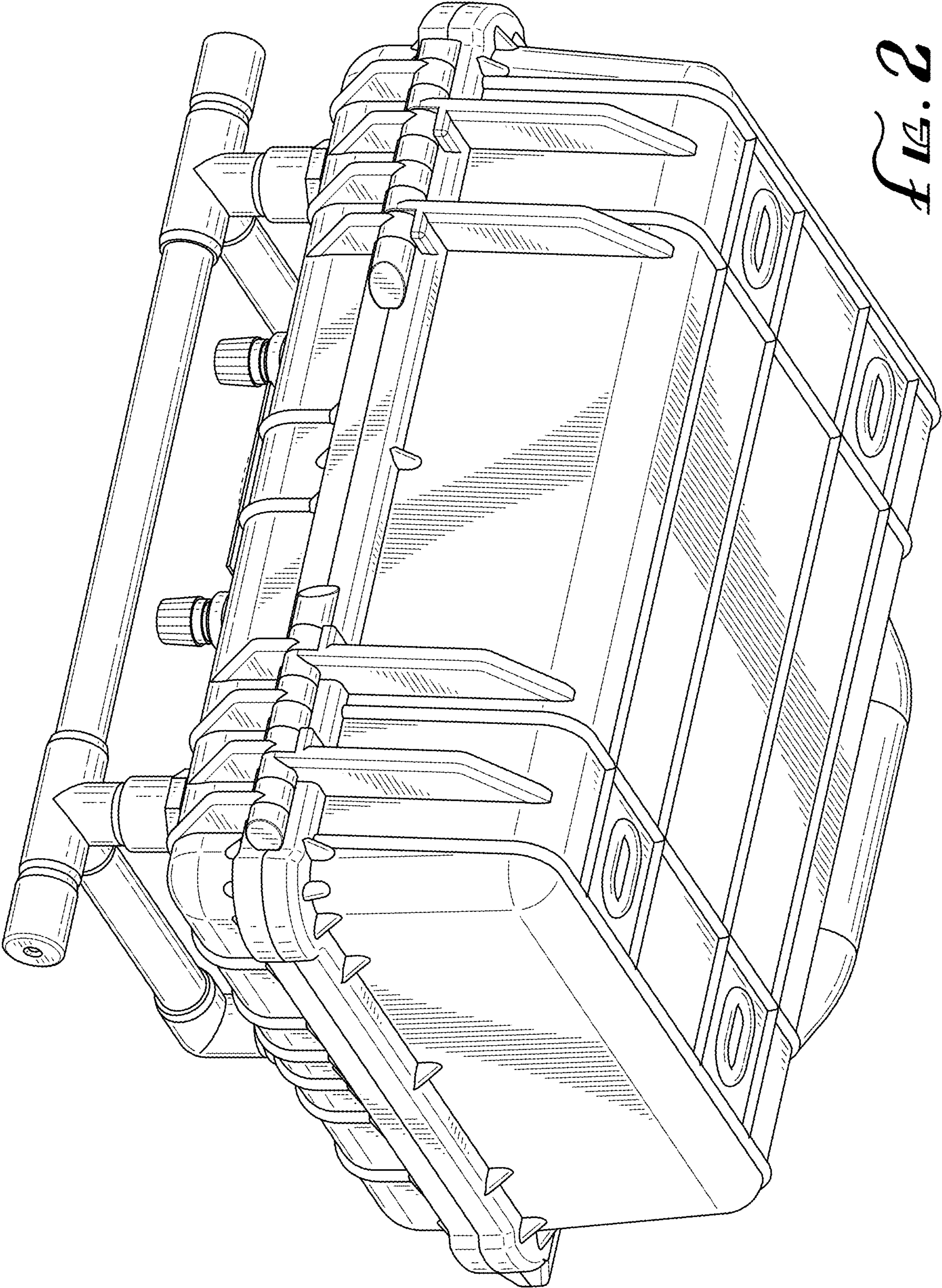


FIG. 2

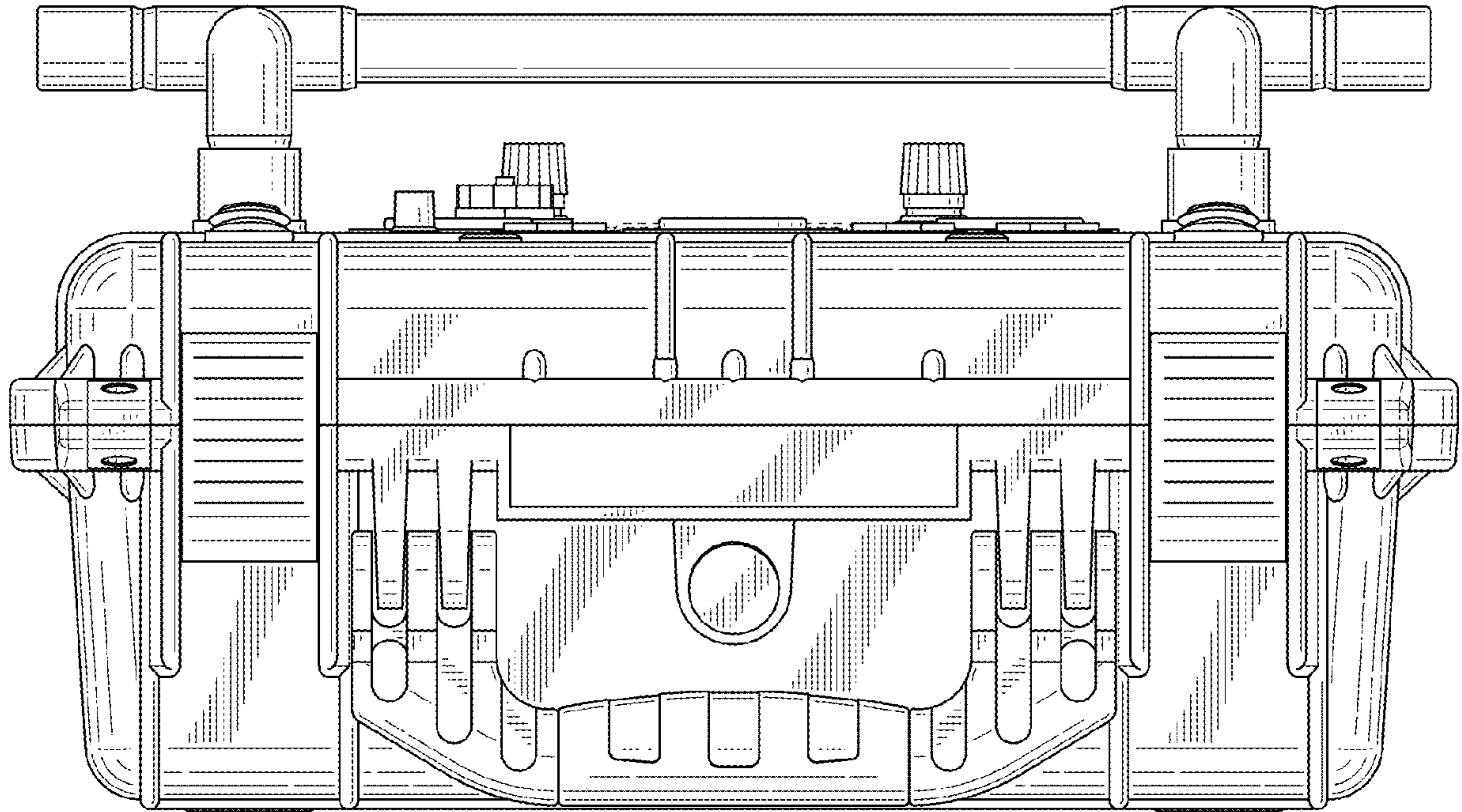


FIG. 3

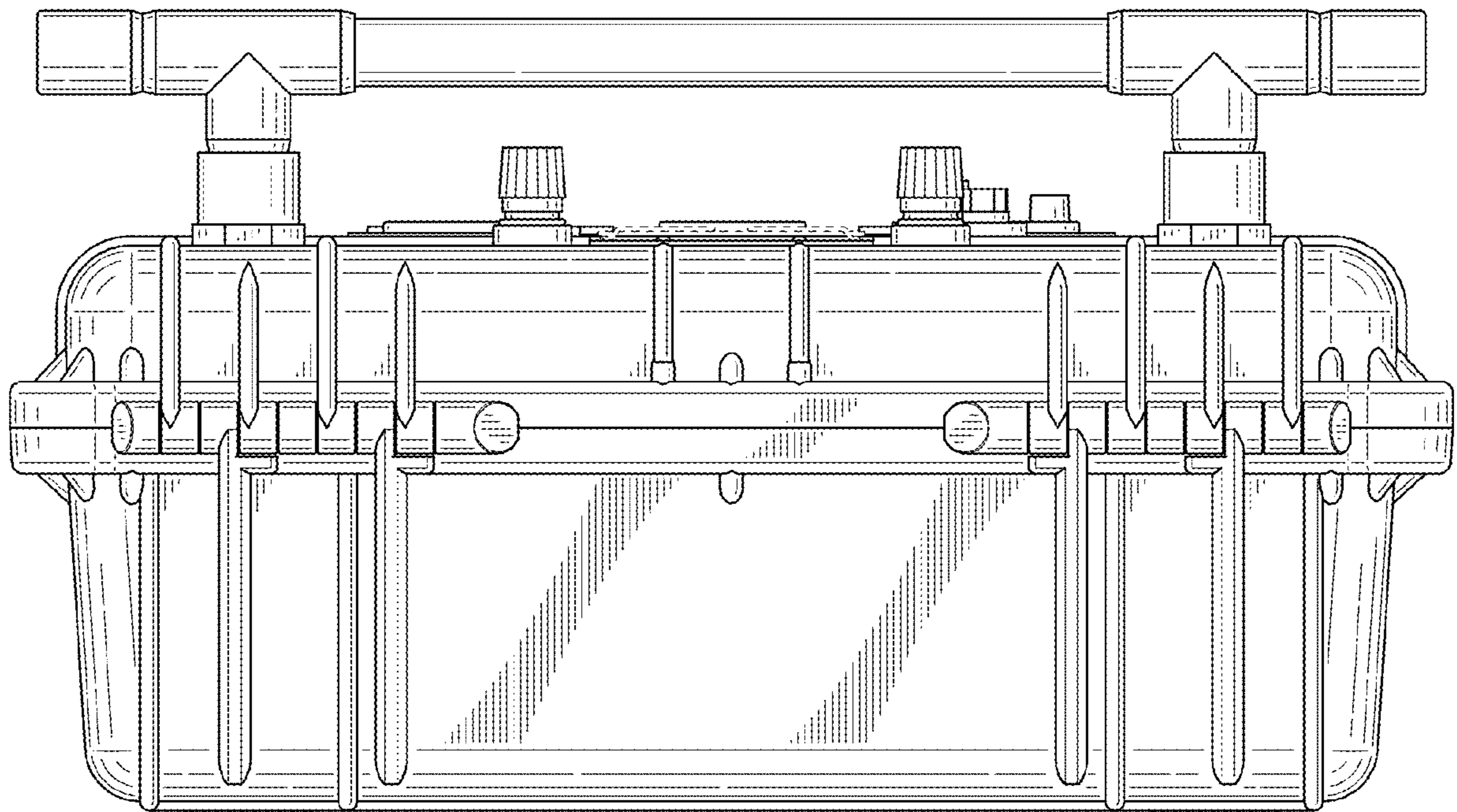


FIG. 4

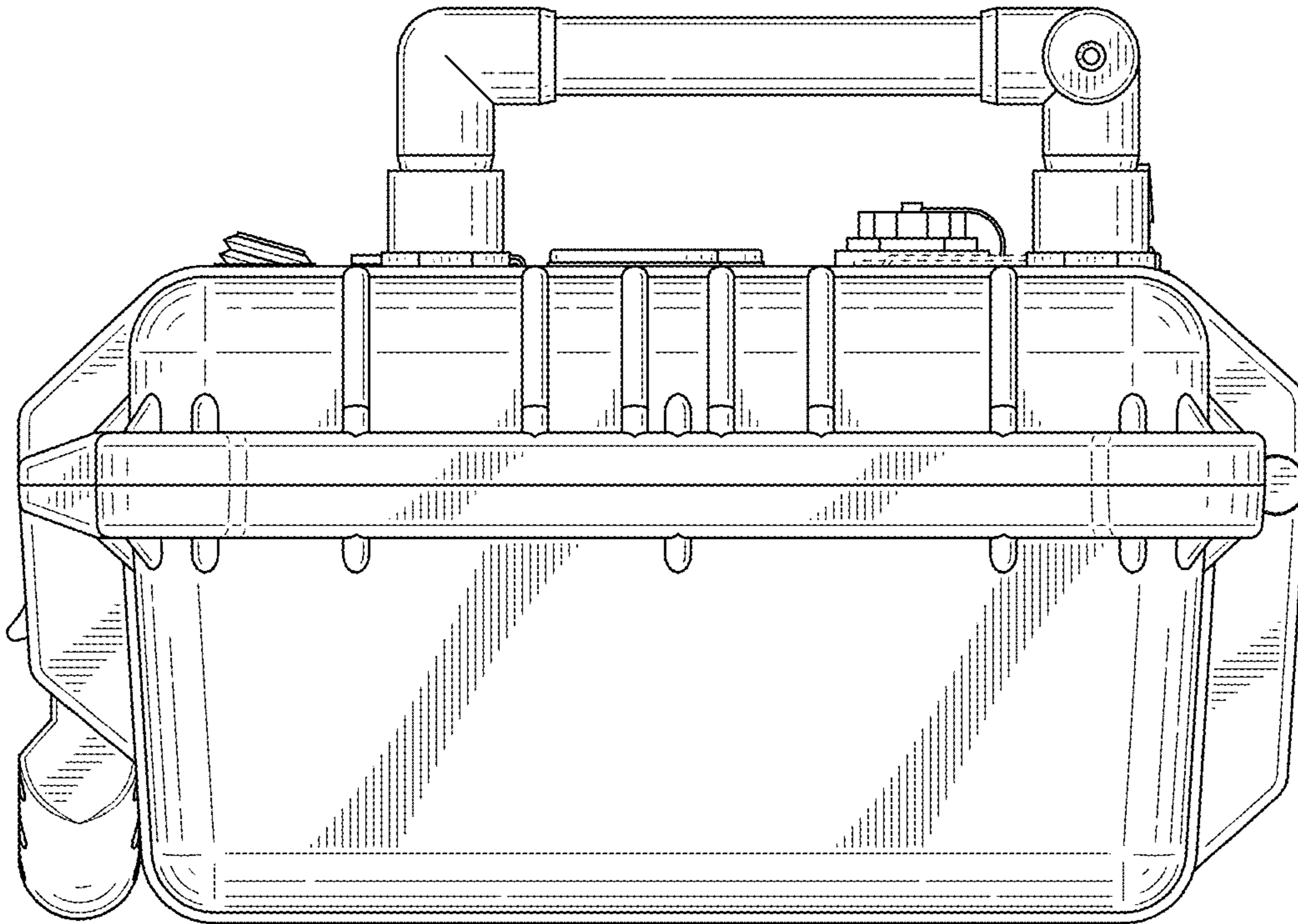


FIG. 5

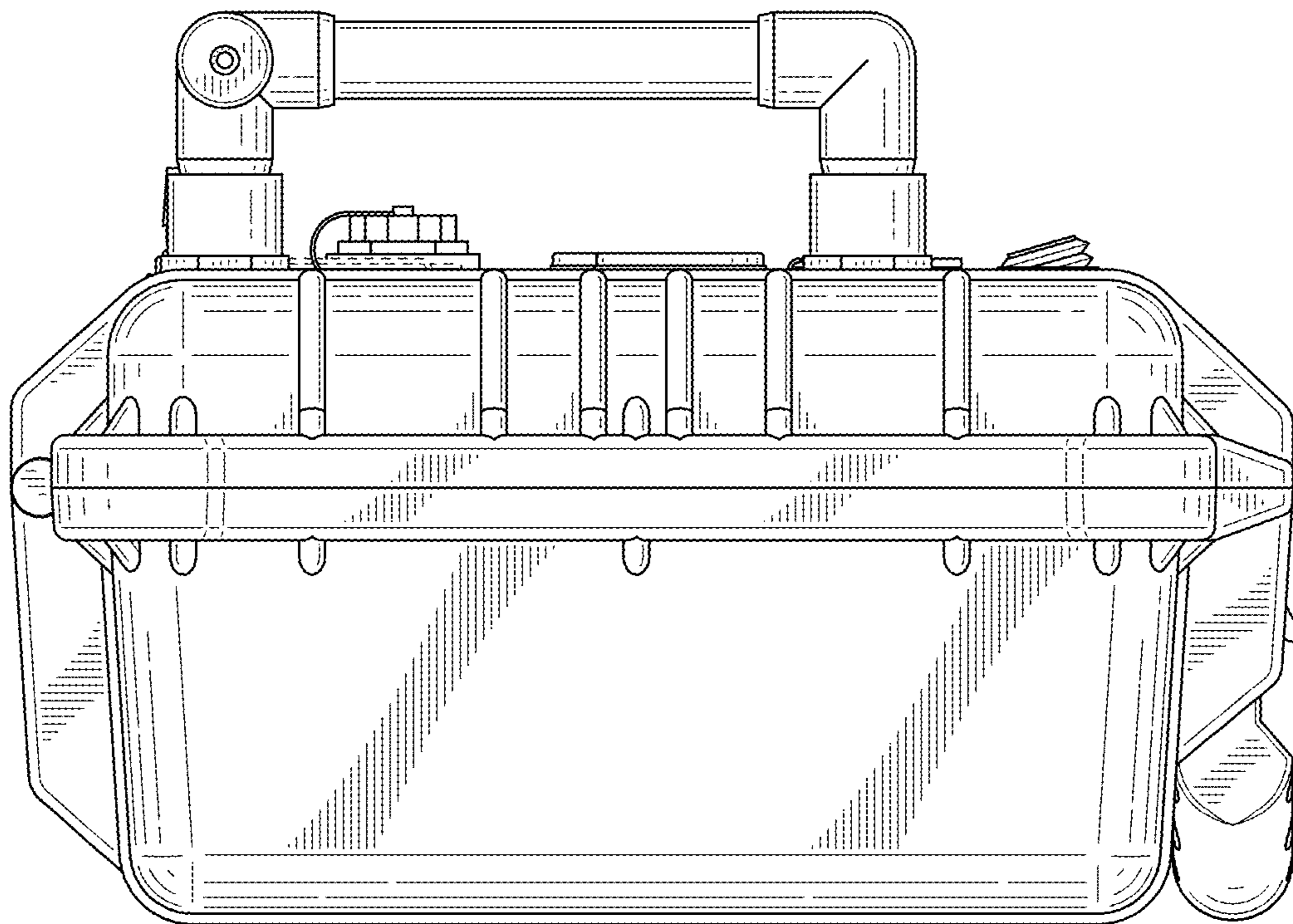


FIG. 6

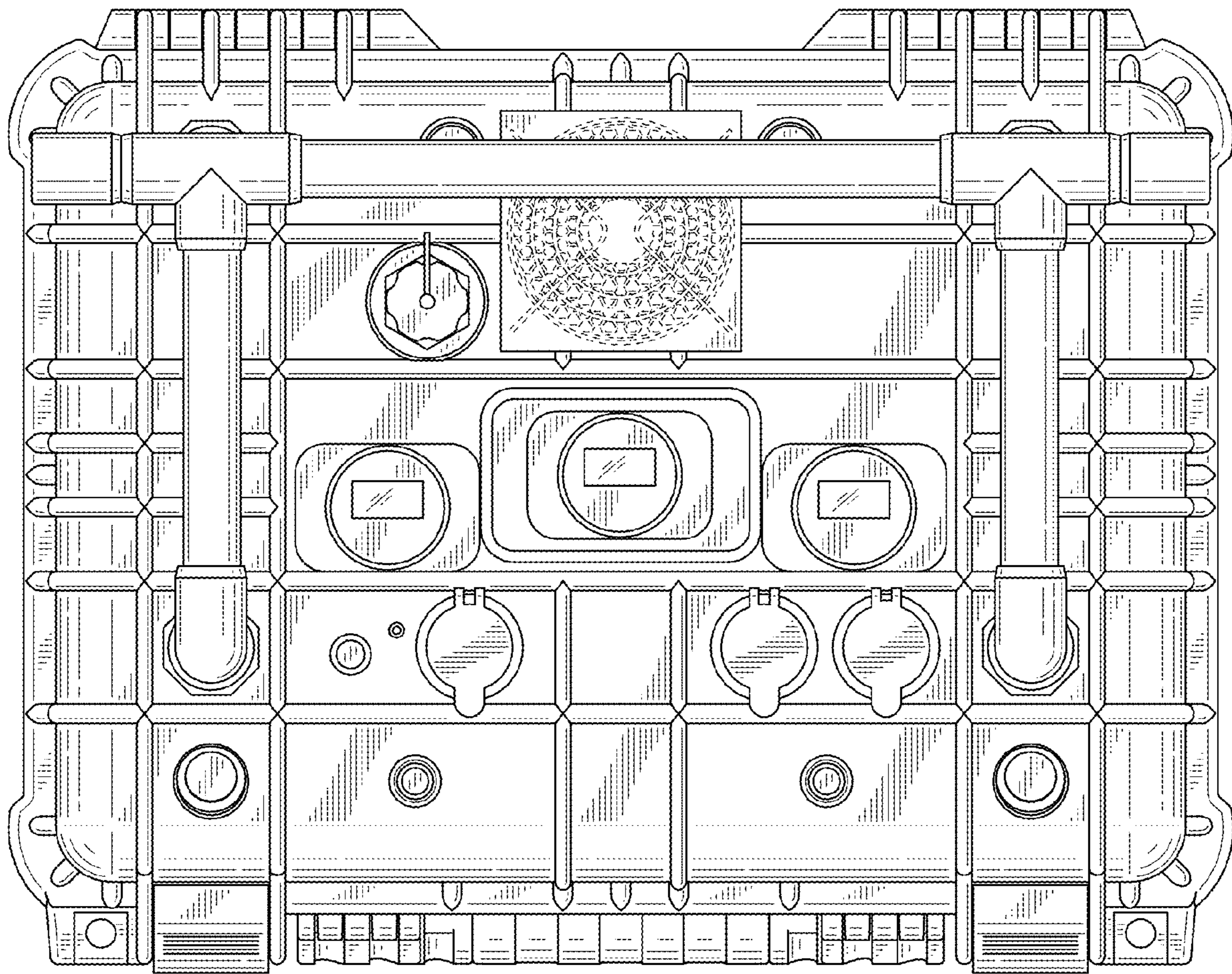


FIG. 7

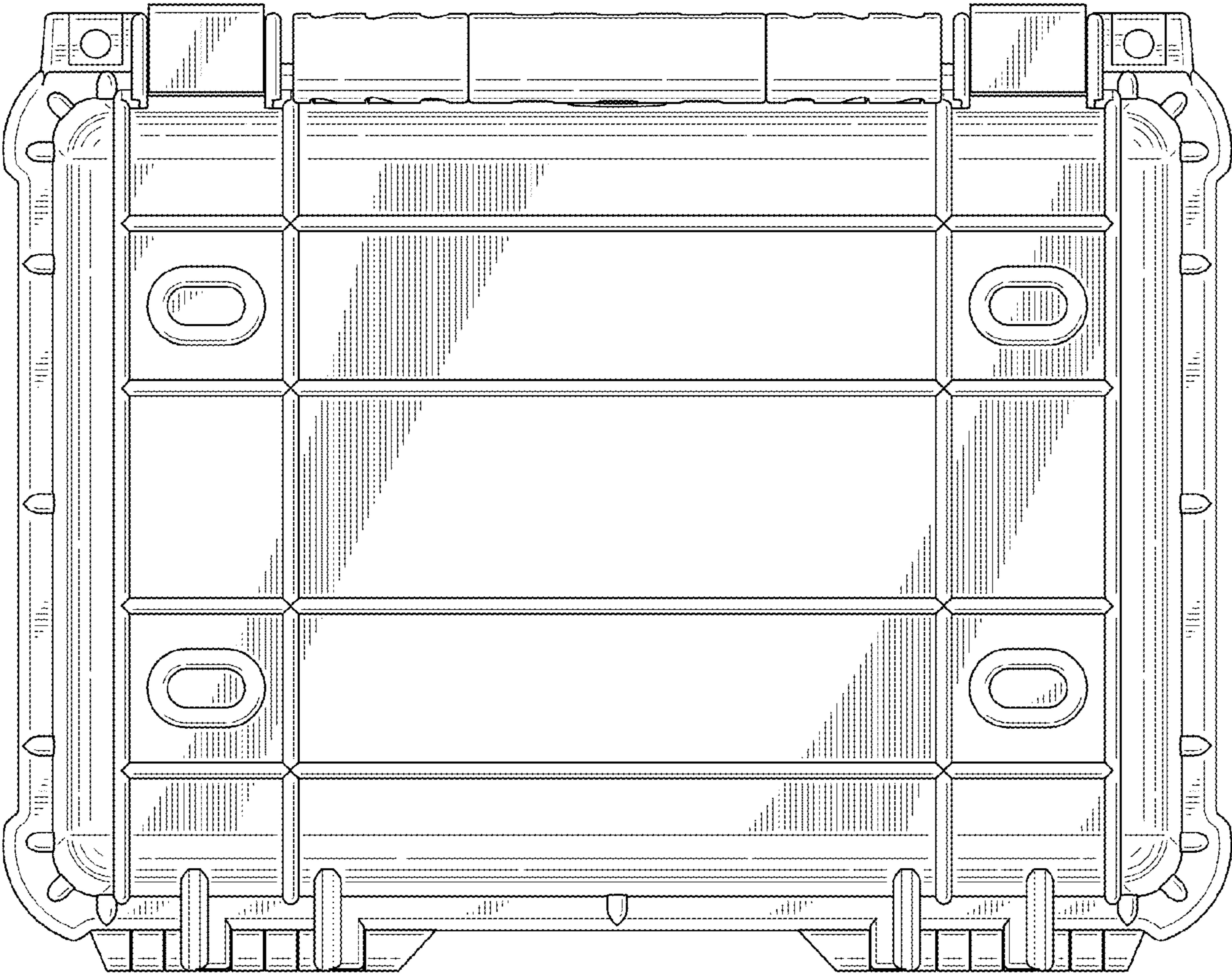


FIG. 3