



US00D920896S

(12) **United States Design Patent**  
**Tomitaka**

(10) **Patent No.:** **US D920,896 S**

(45) **Date of Patent:** **\*\* Jun. 1, 2021**

(54) **TIRE**

(71) Applicant: **Toyo Tire Corporation**, Itami (JP)

(72) Inventor: **Yu Tomitaka**, Itami (JP)

(73) Assignee: **Toyo Tire Corporation**, Itami (JP)

(\*\*) Term: **15 Years**

(21) Appl. No.: **29/710,573**

(22) Filed: **Oct. 24, 2019**

(30) **Foreign Application Priority Data**

Aug. 29, 2019 (JP) ..... 2019-019159

(51) **LOC (13) Cl.** ..... **12-15**

(52) **U.S. Cl.**  
USPC ..... **D12/600**

(58) **Field of Classification Search**  
USPC ..... D12/579, 586, 587, 588, 589, 590, 594,  
D12/595, 600, 601  
CPC ..... B60C 11/0306; B60C 11/04; B60C 11/11  
See application file for complete search history.

(56) **References Cited**

**U.S. PATENT DOCUMENTS**

D420,953 S *	2/2000	Poling	.....	D12/600
D421,584 S *	3/2000	Lovell	.....	D12/600
D449,024 S *	10/2001	Lovell	.....	D12/595
D458,897 S	6/2002	Weber et al.		
D554,055 S *	10/2007	Beauguitte	.....	D12/600
D586,733 S *	2/2009	Shinohara	.....	D12/588
D602,853 S *	10/2009	Nopper	.....	D12/600
D627,713 S *	11/2010	Le	.....	D12/600
D649,109 S *	11/2011	Harris	.....	D12/532
D661,642 S *	6/2012	Krupa	.....	D12/600
D673,899 S *	1/2013	Uphouse	.....	D12/600
D765,585 S *	9/2016	Fujii	.....	D12/588
D767,479 S *	9/2016	Shimomura	.....	D12/585

D777,654 S *	1/2017	Lundgren	.....	D12/604
D780,678 S *	3/2017	Maxwell	.....	D12/595
D782,967 S *	4/2017	Nagamoto	.....	D12/588
D792,839 S *	7/2017	Maxwell	.....	D12/600
D806,007 S *	12/2017	Robbins	.....	D12/600
D812,550 S	3/2018	Digman et al.		
D822,588 S *	7/2018	Skurich	.....	D12/600
D838,234 S *	1/2019	Takahashi	.....	D12/588
D849,672 S *	5/2019	Wang	.....	D12/600

(Continued)

**FOREIGN PATENT DOCUMENTS**

JP	1311943 S	10/2007
JP	1373918 S	11/2009

(Continued)

*Primary Examiner* — John A Voytek

(74) *Attorney, Agent, or Firm* — Sterne, Kessler, Goldstein & Fox P.L.L.C.

(57) **CLAIM**

The ornamental design for a tire, as shown and described.

**DESCRIPTION**

FIG. 1 is a front perspective view of a tire showing the claimed design;

FIG. 2 is a front view thereof;

FIG. 3 is a rear view thereof;

FIG. 4 is a top plan view thereof, the bottom plan view being the same;

FIG. 5 is a right side view thereof;

FIG. 6 is a left side view thereof;

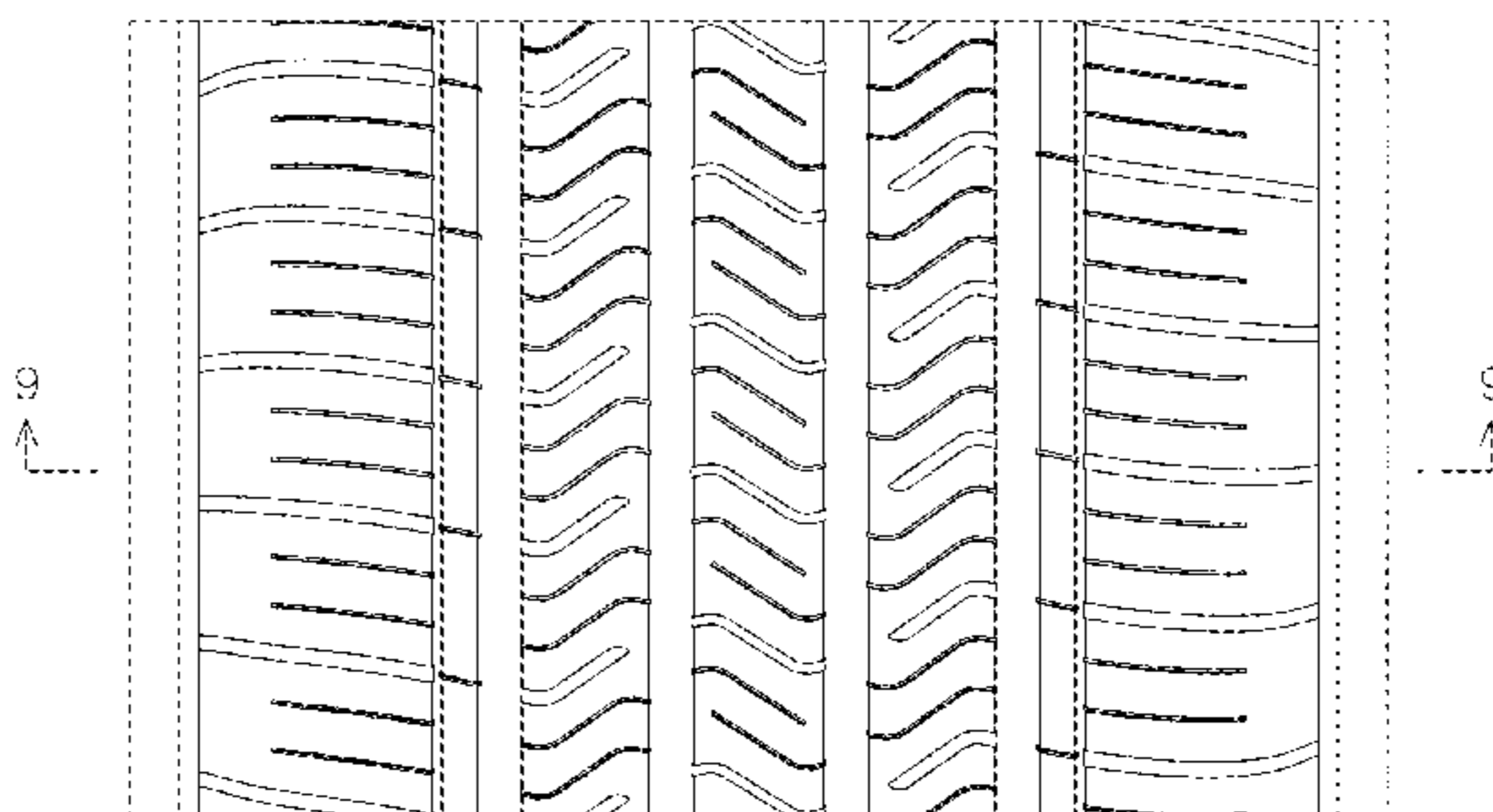
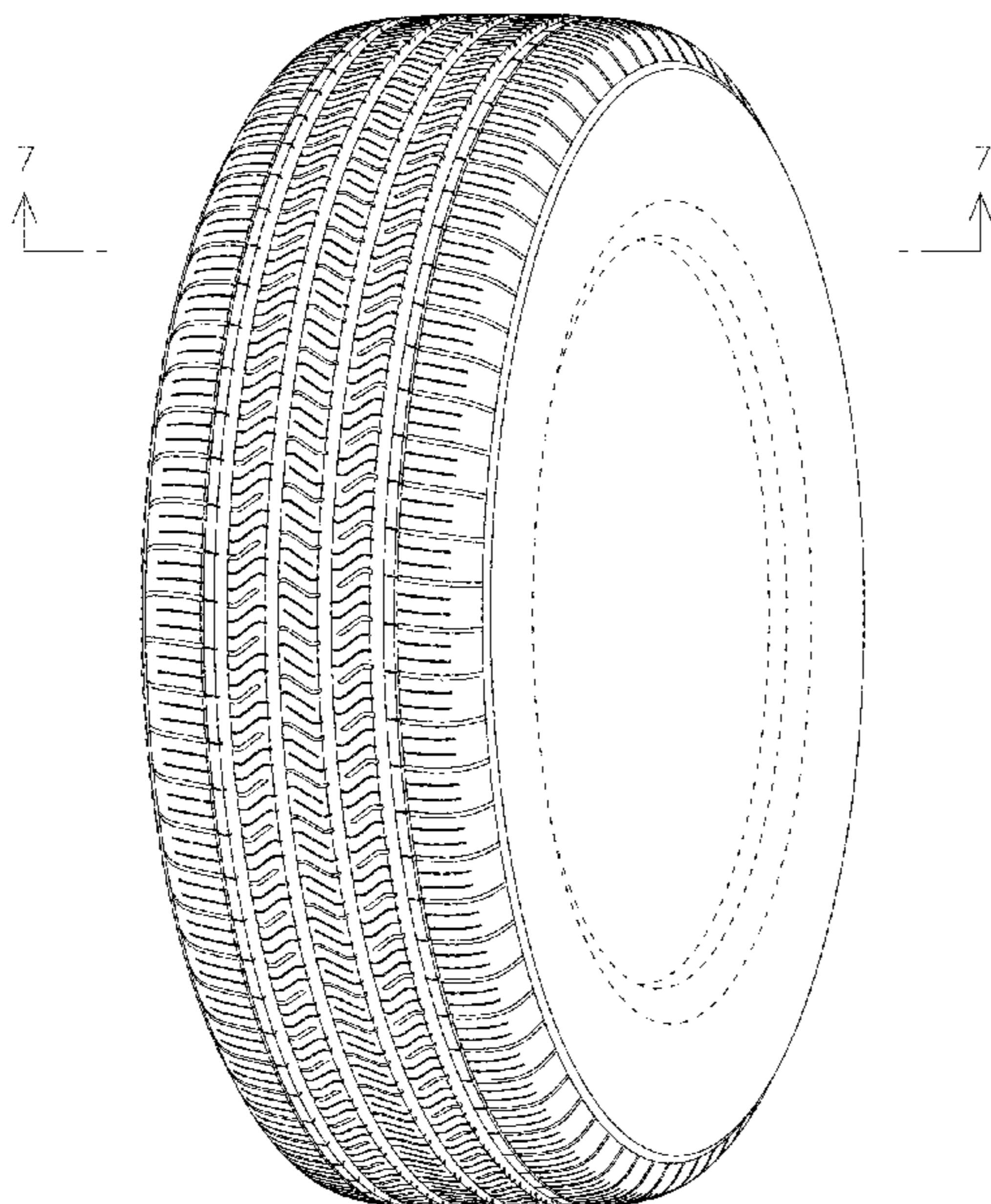
FIG. 7 is an enlarged view taken along line 7-7 in FIG. 1;

FIG. 8 is an enlarged view of the portion 8-8 in FIG. 2; and,

FIG. 9 is a cross-sectional view taken along line 9-9 in FIG. 8.

In the drawings, the broken lines show portions of the tire that form no part of the claimed design.

**1 Claim, 9 Drawing Sheets**



(56)

**References Cited**

U.S. PATENT DOCUMENTS

D849,673	S	*	5/2019	Wang	.....	D12/600
D876,330	S	*	2/2020	Poling	.....	D12/600
D881,799	S	*	4/2020	Lingamoorthy	.....	D12/600
D885,320	S	*	5/2020	Haanketo	.....	D12/600
D886,038	S	*	6/2020	Lamb	.....	D12/600
D894,110	S	*	8/2020	Kanamura	.....	D12/595

FOREIGN PATENT DOCUMENTS

JP	1448563	S	8/2012
JP	1448776	S	8/2012
JP	1449993	S	12/2012
JP	1620033	S	12/2018
JP	1633033	S	6/2019
JP	1633319	S	6/2019
KR	30-0310991	S	11/2002
KR	30-0920450	S	8/2017

\* cited by examiner

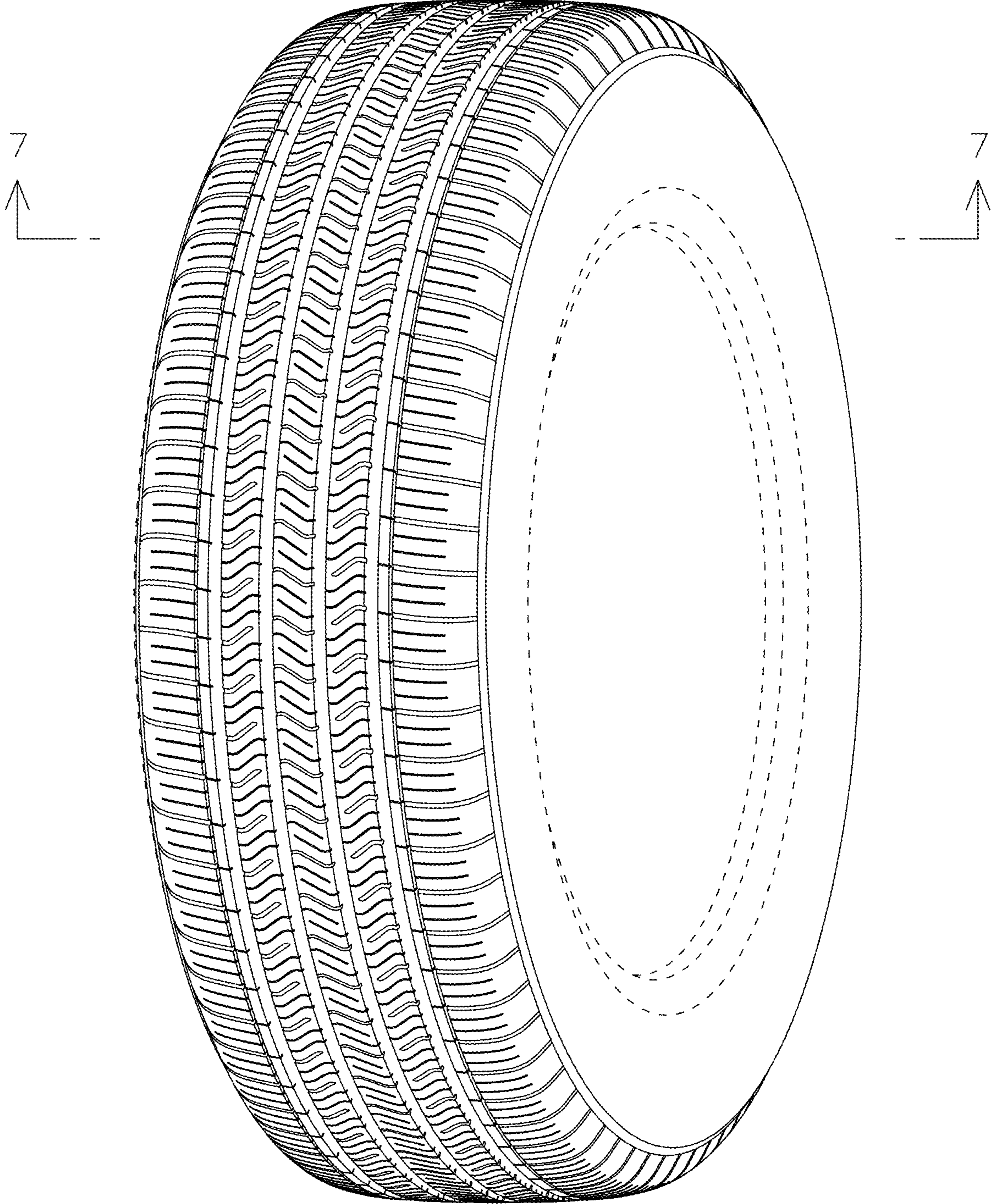


FIG. 1

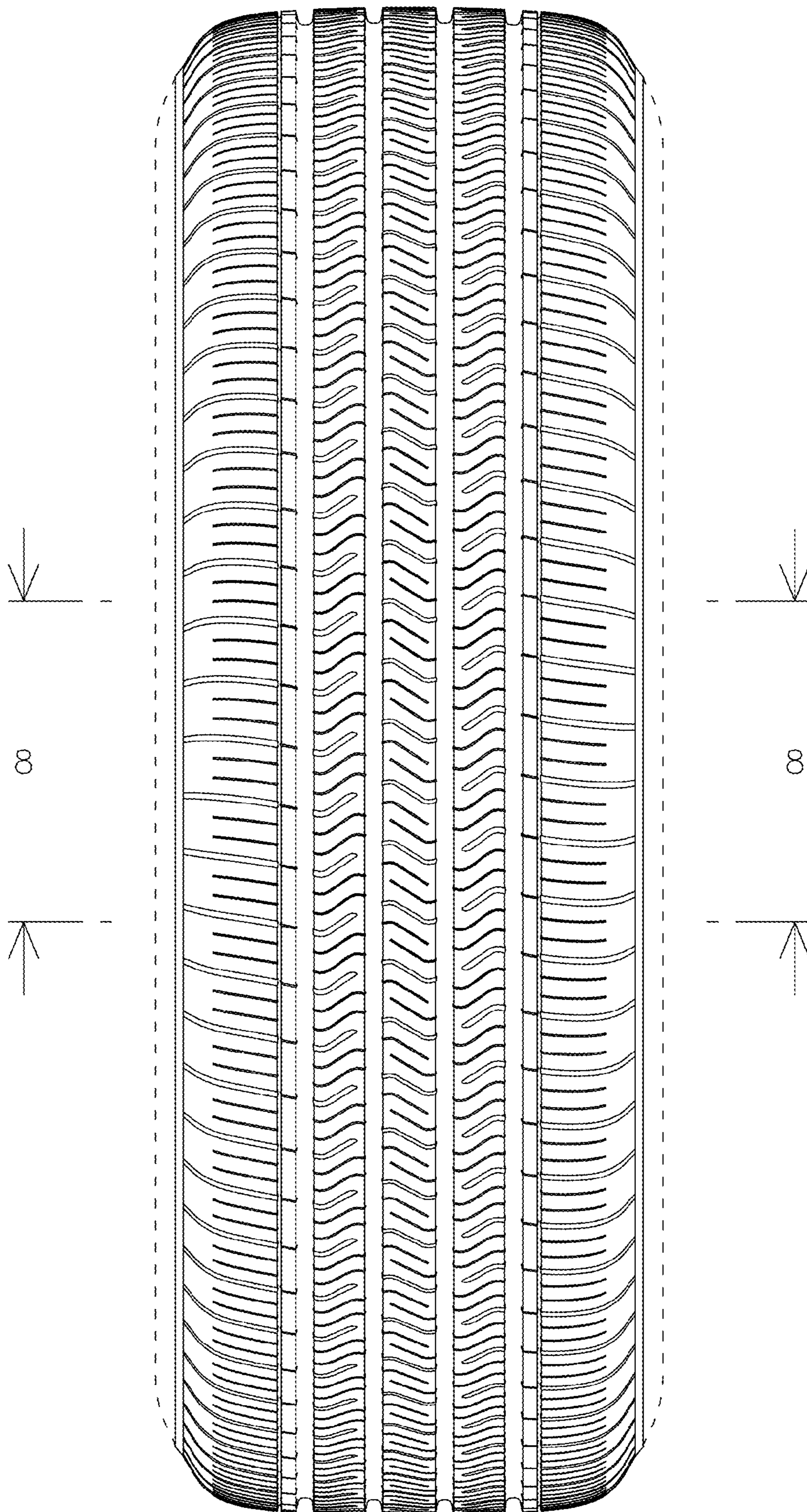


FIG. 2

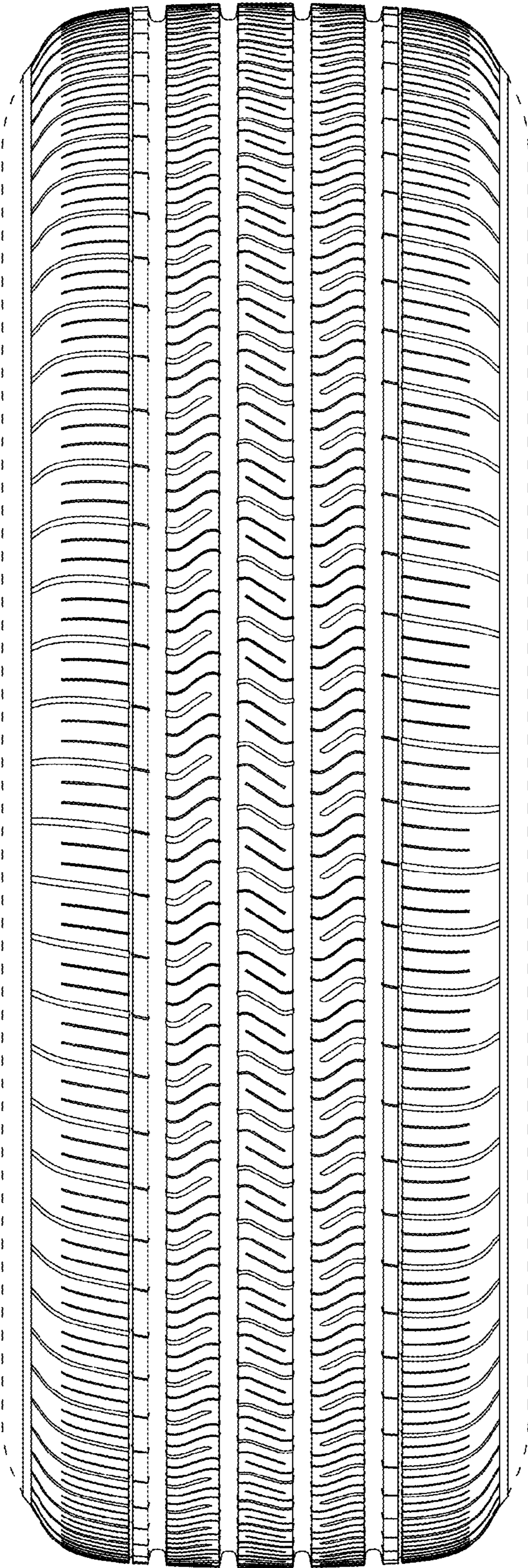


FIG. 3

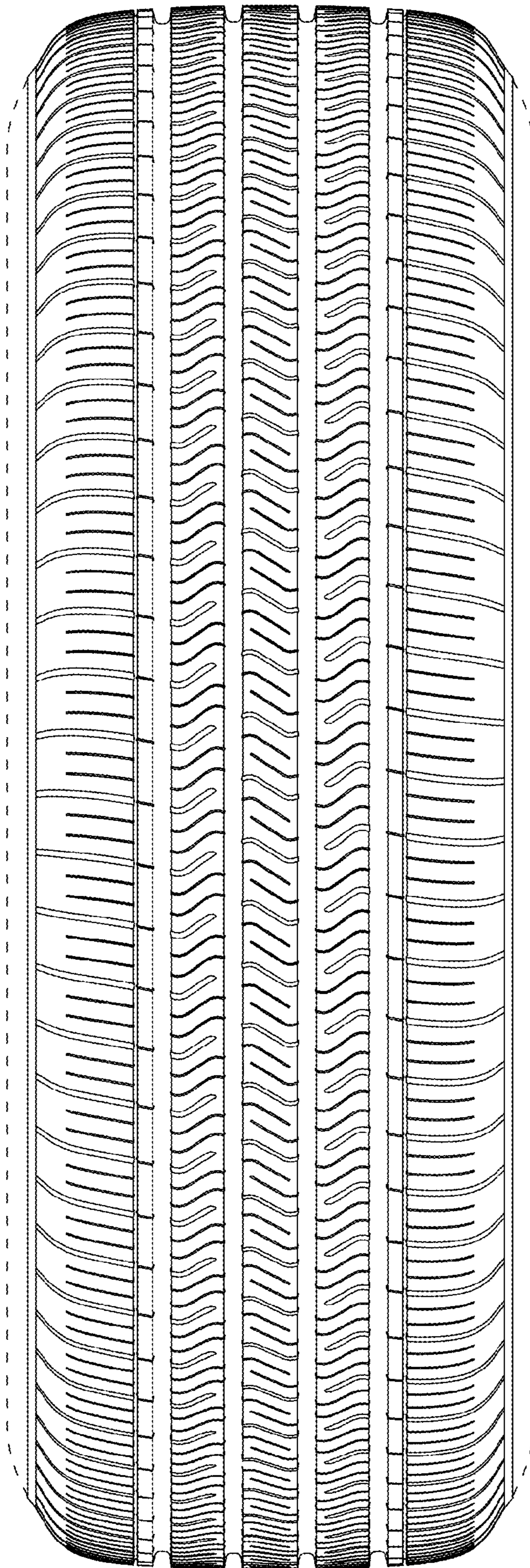


FIG. 4

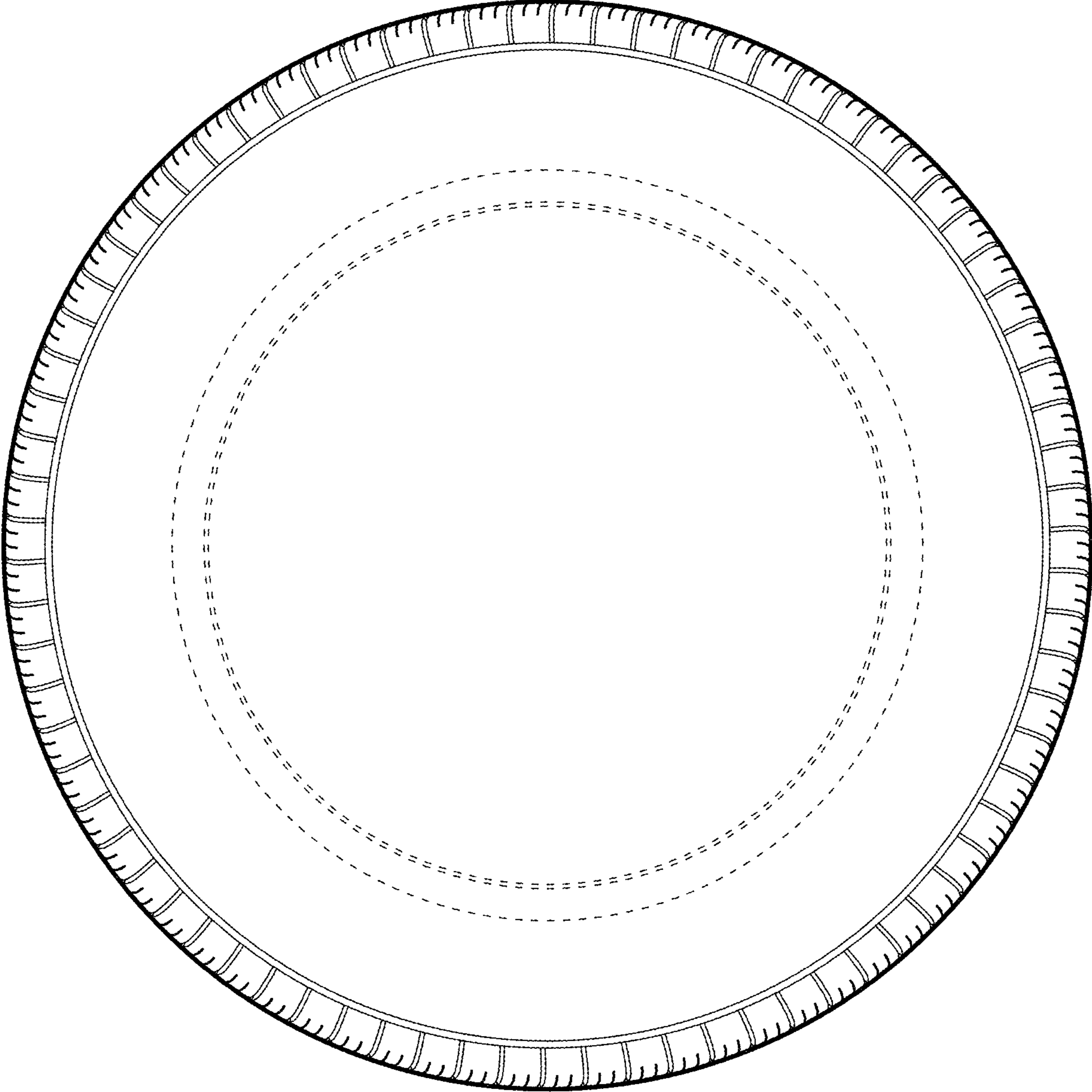


FIG. 5

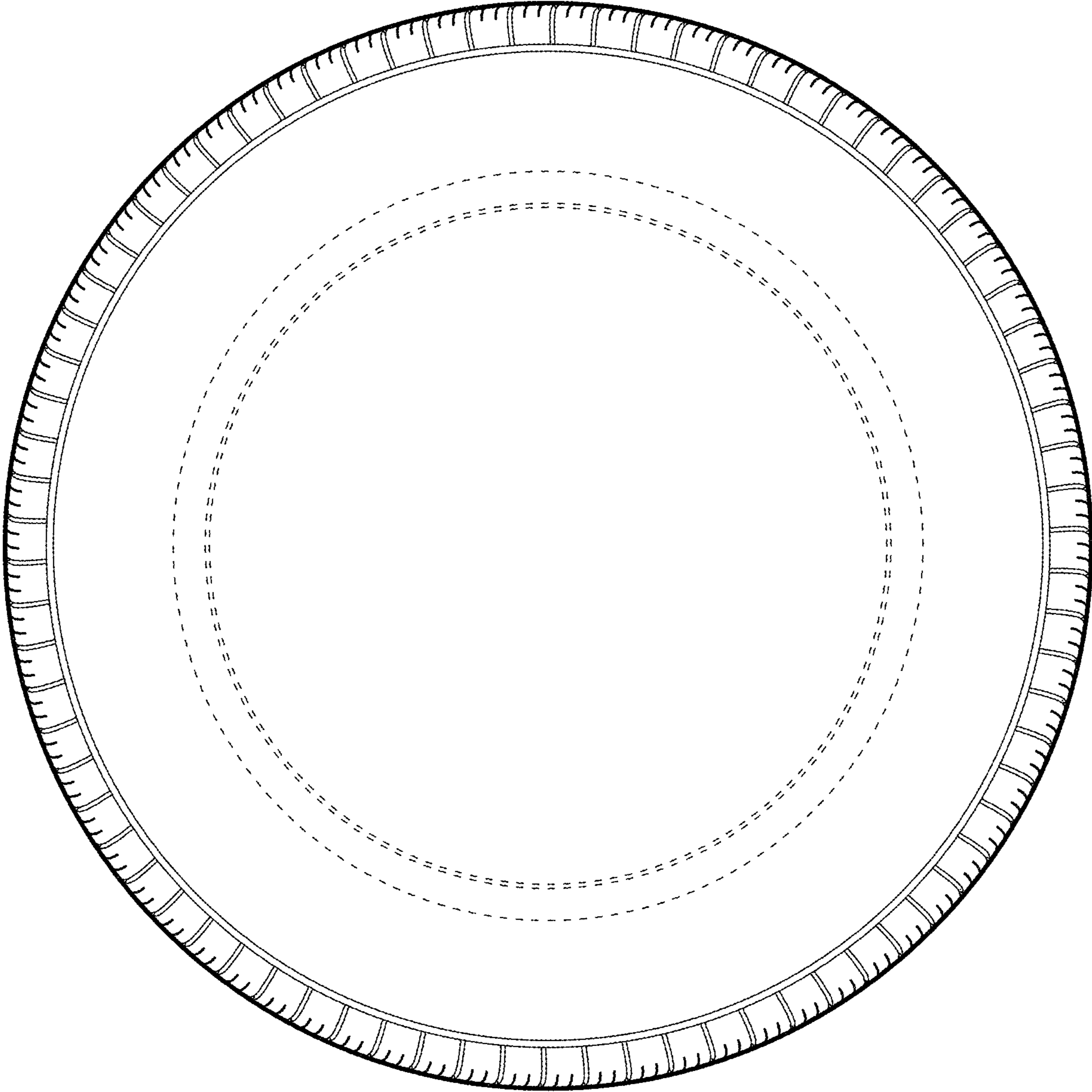


FIG. 6



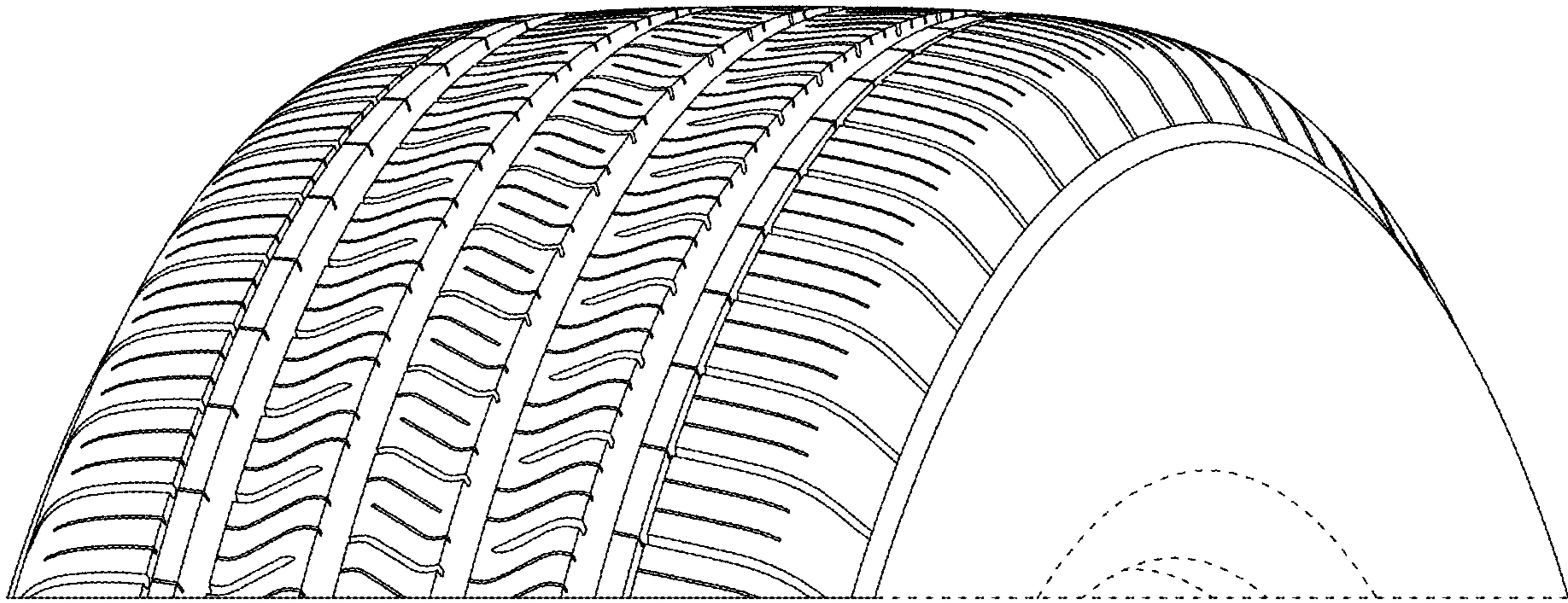


FIG. 7

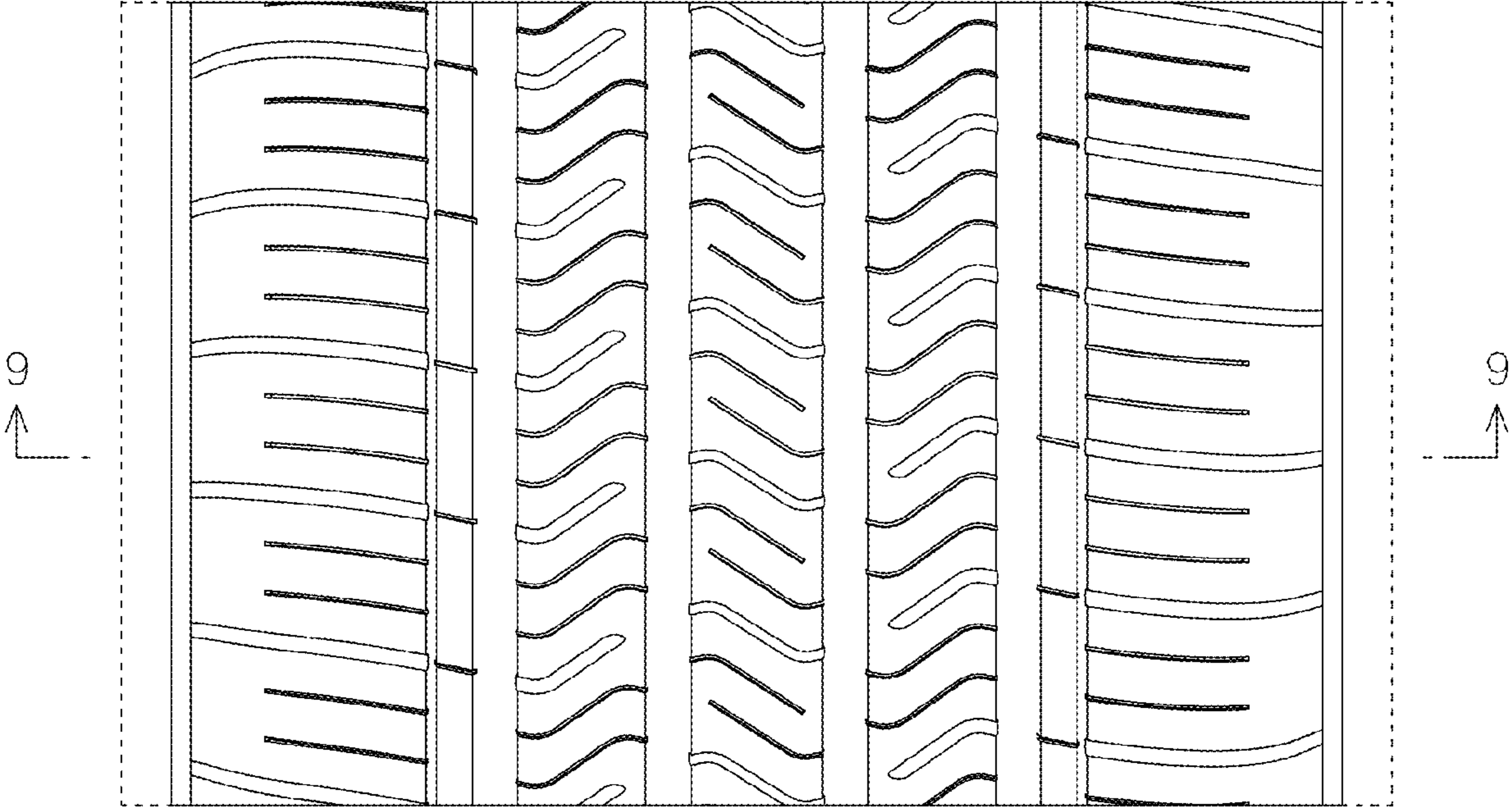


FIG. 8

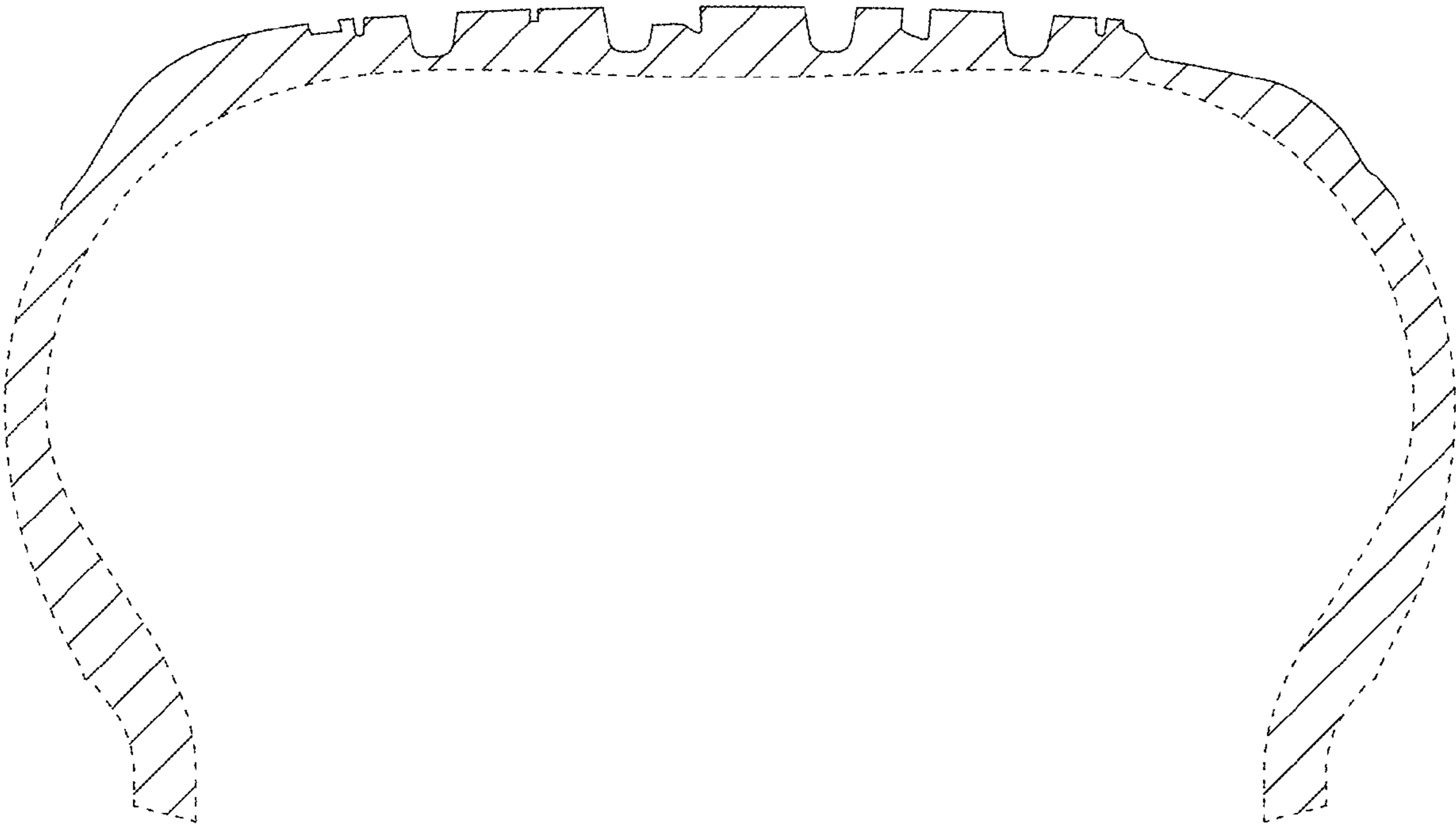


FIG. 9