



US00D920893S

(12) **United States Design Patent**  
**Miyazaki**

(10) **Patent No.:** **US D920,893 S**

(45) **Date of Patent:** **\*\* Jun. 1, 2021**

(54) **TIRE**

(71) Applicant: **TOYO TIRE & RUBBER CO., LTD.**,  
Itami (JP)

(72) Inventor: **Tetsuji Miyazaki**, Itami (JP)

(73) Assignee: **TOYO TIRE & RUBBER CO., LTD.**,  
Itami (JP)

(\*\*) Term: **15 Years**

(21) Appl. No.: **29/722,933**

(22) Filed: **Feb. 3, 2020**

**Related U.S. Application Data**

(62) Division of application No. 29/673,845, filed on Dec. 18, 2018, now Pat. No. Des. 896,736.

(30) **Foreign Application Priority Data**

Jun. 21, 2018 (JP) ..... 2018-013709  
Aug. 20, 2018 (JP) ..... 2018-018107

(51) **LOC (13) Cl.** ..... **12-15**

(52) **U.S. Cl.**  
USPC ..... **D12/517**

(58) **Field of Classification Search**  
USPC ..... D12/500-532, 604  
CPC ..... Y10T 512/10027; B60C 1/0016; B60C  
11/0302; B60C 11/0306; B60C 3/06;  
B60C 9/17  
See application file for complete search history.

(56) **References Cited**

**U.S. PATENT DOCUMENTS**

D470,101 S \* 2/2003 Heinen ..... D12/584  
D558,127 S 12/2007 Shavers et al.  
D600,629 S \* 9/2009 Takahashi ..... D12/518  
D633,858 S \* 3/2011 Sato ..... D12/521

D634,699 S \* 3/2011 Fontaine ..... D12/517  
D647,455 S 10/2011 Frappart et al.  
D667,358 S \* 9/2012 Fontaine ..... D12/518  
D682,773 S \* 5/2013 Kuwano ..... D12/523  
D728,453 S 5/2015 Maxwell et al.  
D742,808 S \* 11/2015 Schimmoeller ..... D12/521  
D743,873 S 11/2015 Majerus et al.  
D769,794 S 10/2016 Kujime et al.  
D795,792 S \* 8/2017 Liu ..... D12/521  
D804,396 S \* 12/2017 Philipot ..... D12/523  
D833,371 S \* 11/2018 Takahashi ..... D12/517  
D871,313 S \* 12/2019 Miyazaki ..... D12/523

(Continued)

**FOREIGN PATENT DOCUMENTS**

JP 1606913 S 6/2018

*Primary Examiner* — John A Voytek

(74) *Attorney, Agent, or Firm* — Sterne, Kessler,  
Goldstein & Fox P.L.L.C.

(57) **CLAIM**

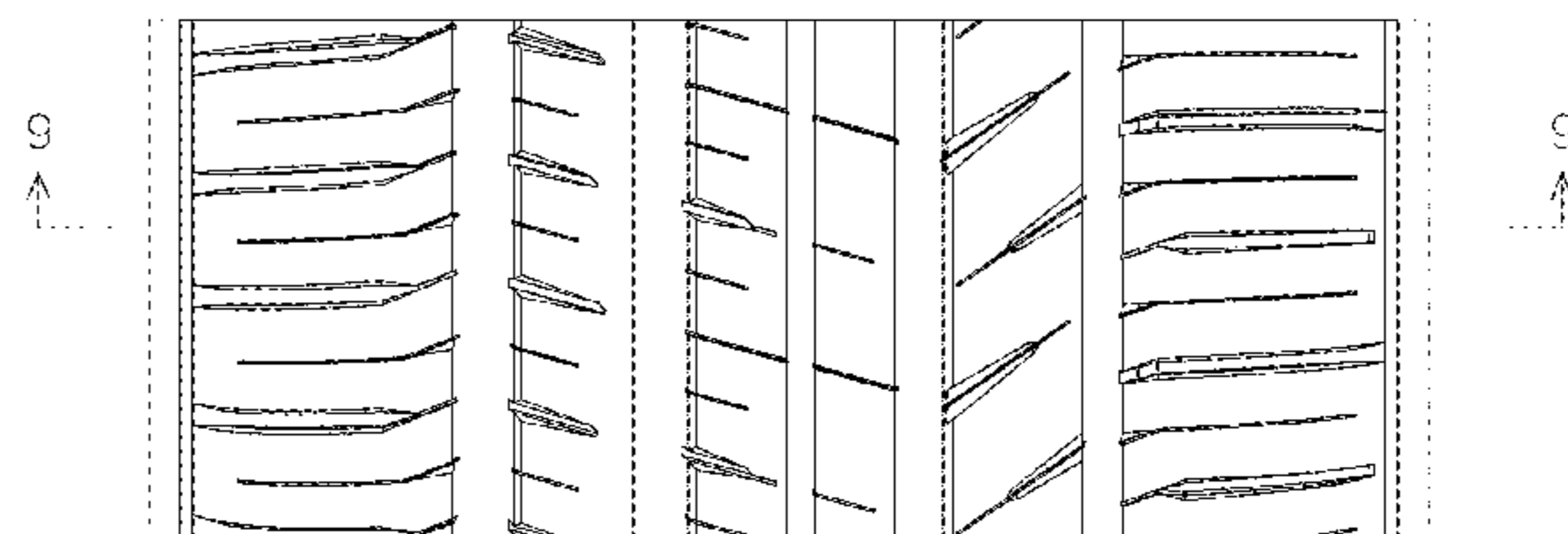
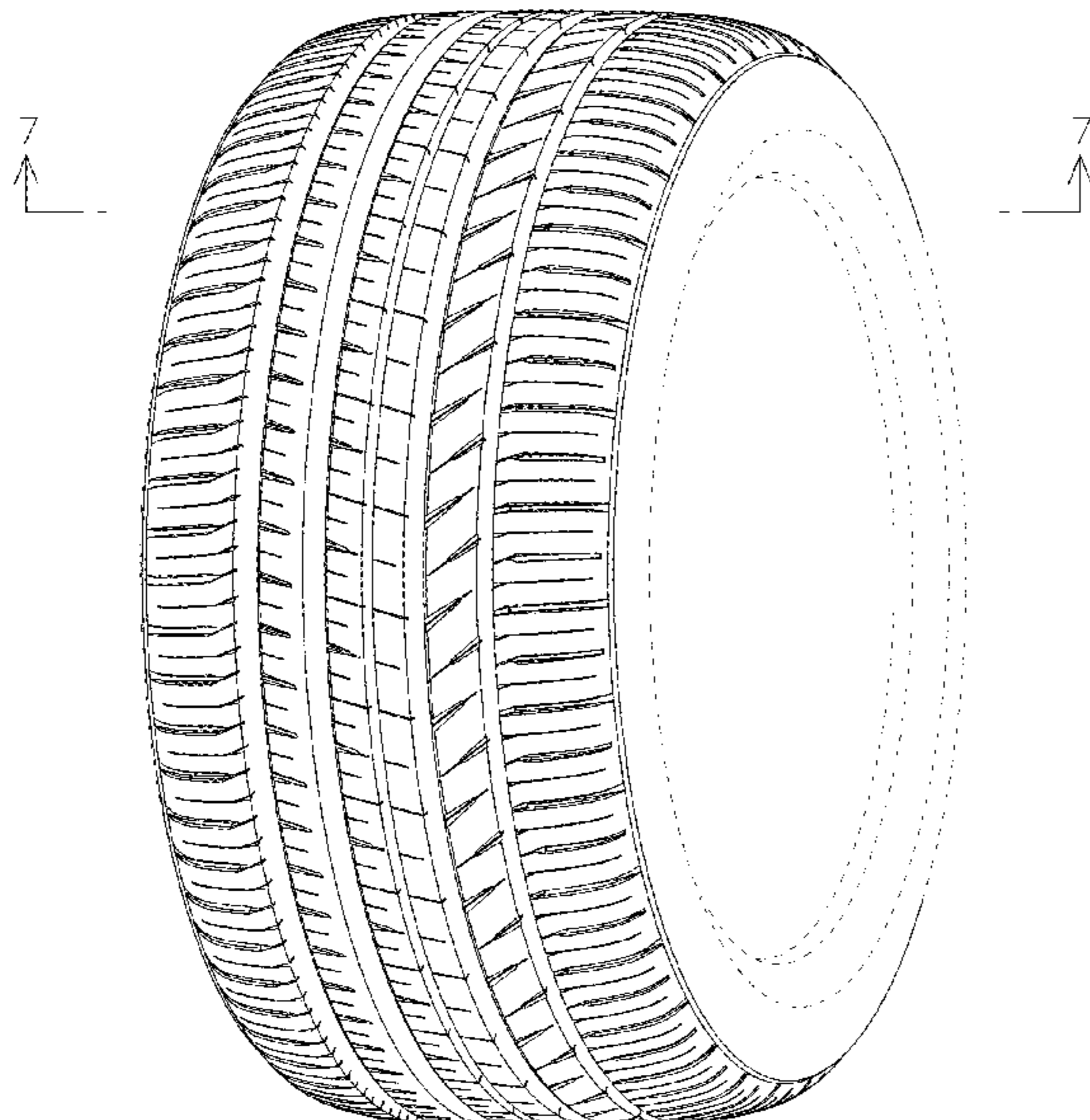
The ornamental design for a tire, as shown and described.

**DESCRIPTION**

FIG. 1 is a front perspective view of a tire showing the claimed design;  
FIG. 2 is a front view thereof;  
FIG. 3 is a rear view thereof;  
FIG. 4 is a top plan view thereof, the bottom plan view being the same;  
FIG. 5 is a right side view thereof;  
FIG. 6 is a left side view thereof;  
FIG. 7 is an enlarged view taken along line 7-7 in FIG. 1;  
FIG. 8 is an enlarged view of the portion 8-8 in FIG. 2; and,  
FIG. 9 is a cross-sectional view taken along line 9-9 in FIG. 8.

In the drawings, the broken lines show portions of the tire that form no part of the claimed design.

**1 Claim, 9 Drawing Sheets**



(56)

**References Cited**

U.S. PATENT DOCUMENTS

2020/0122513 A1\* 4/2020 Miyazaki ..... B60C 11/1259  
2020/0122515 A1\* 4/2020 Miyazaki ..... B60C 11/1392

\* cited by examiner

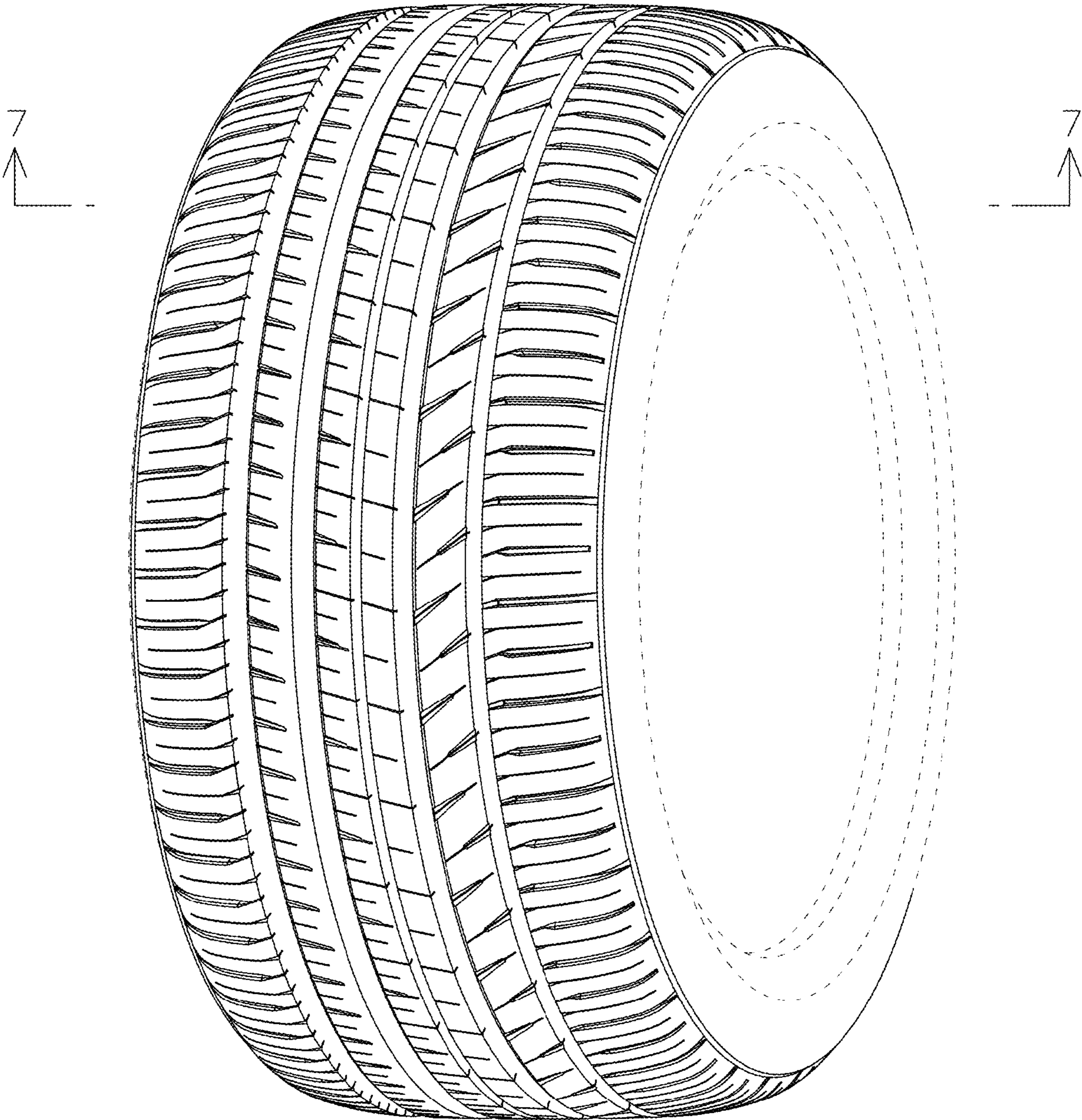


FIG. 1

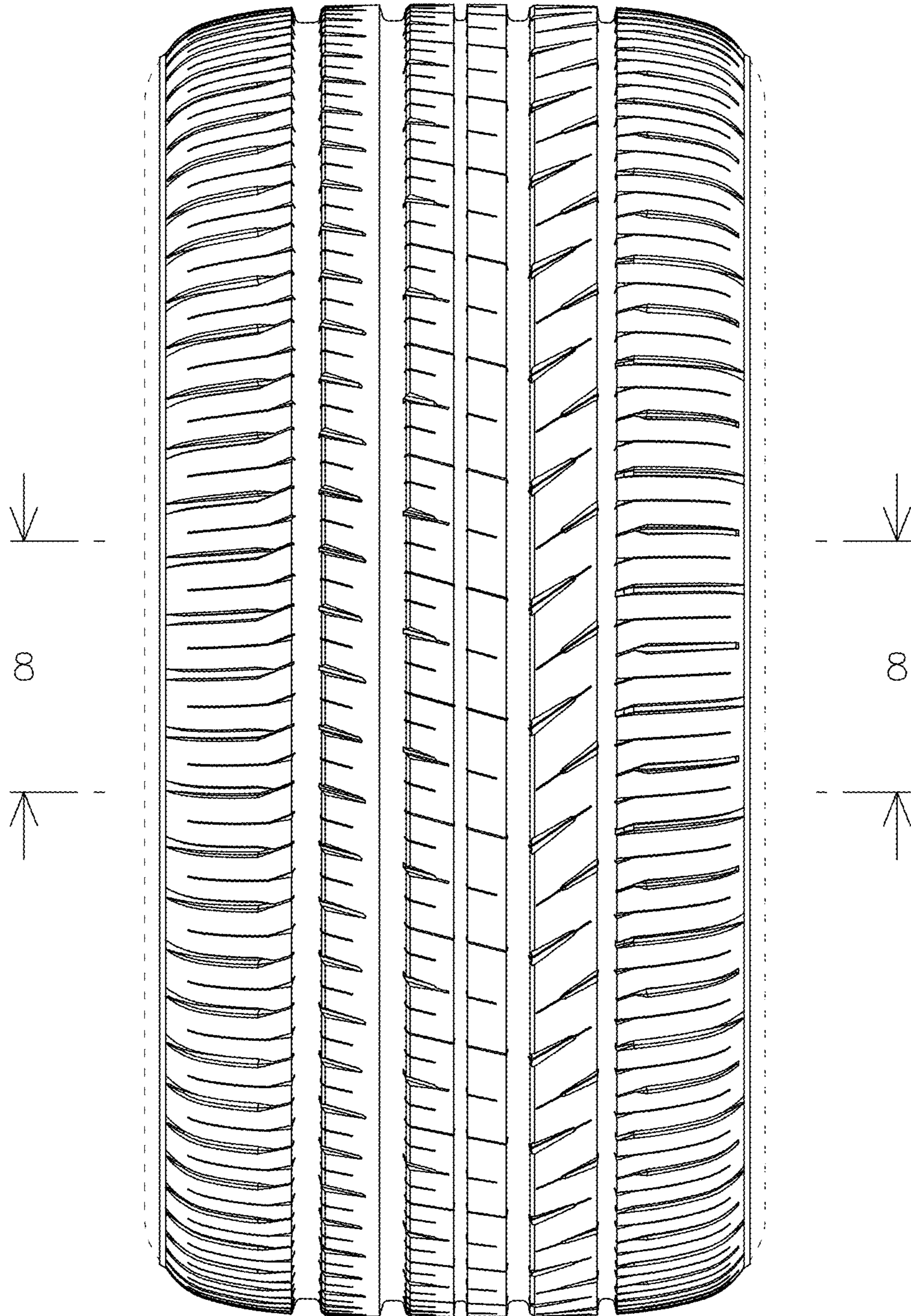


FIG. 2

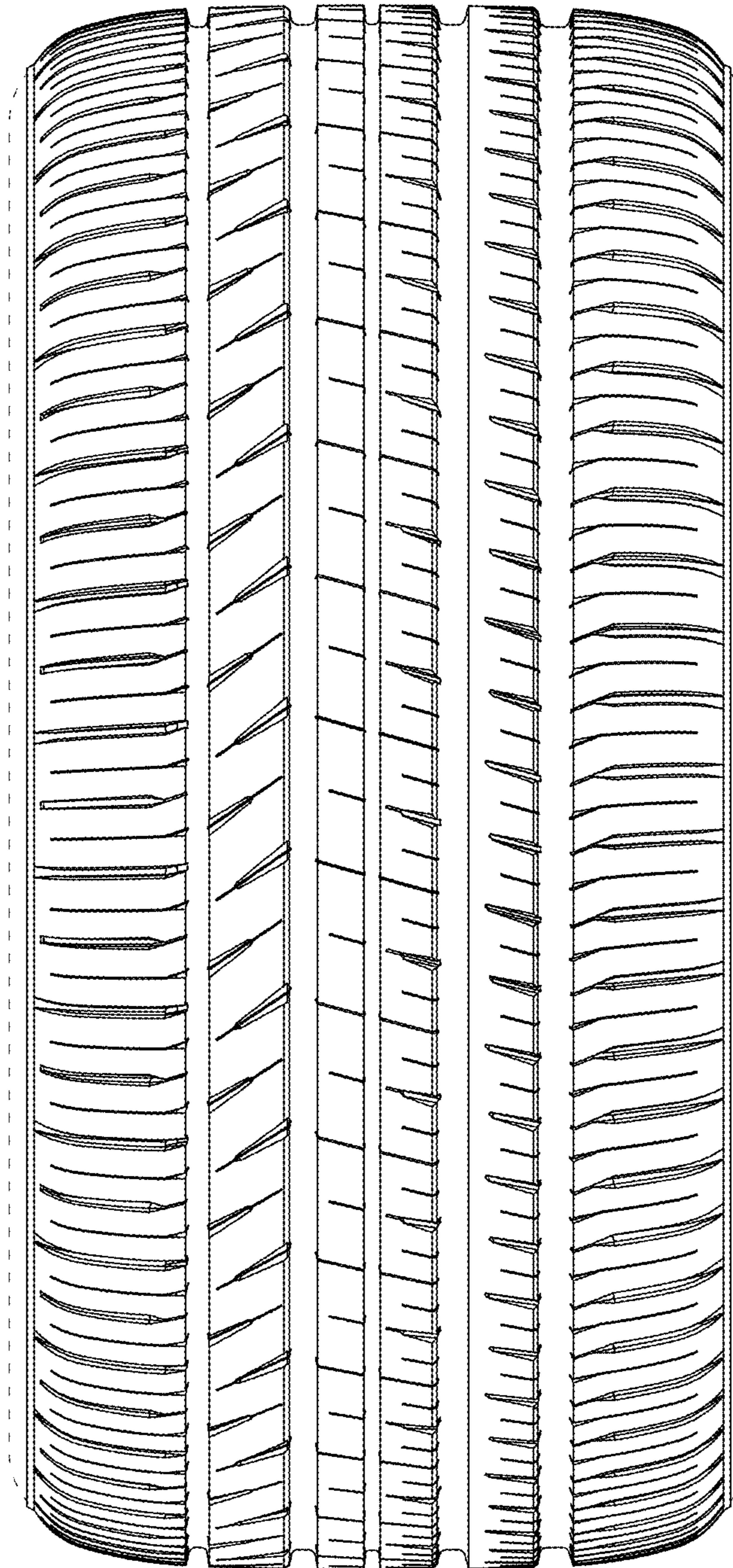


FIG. 3

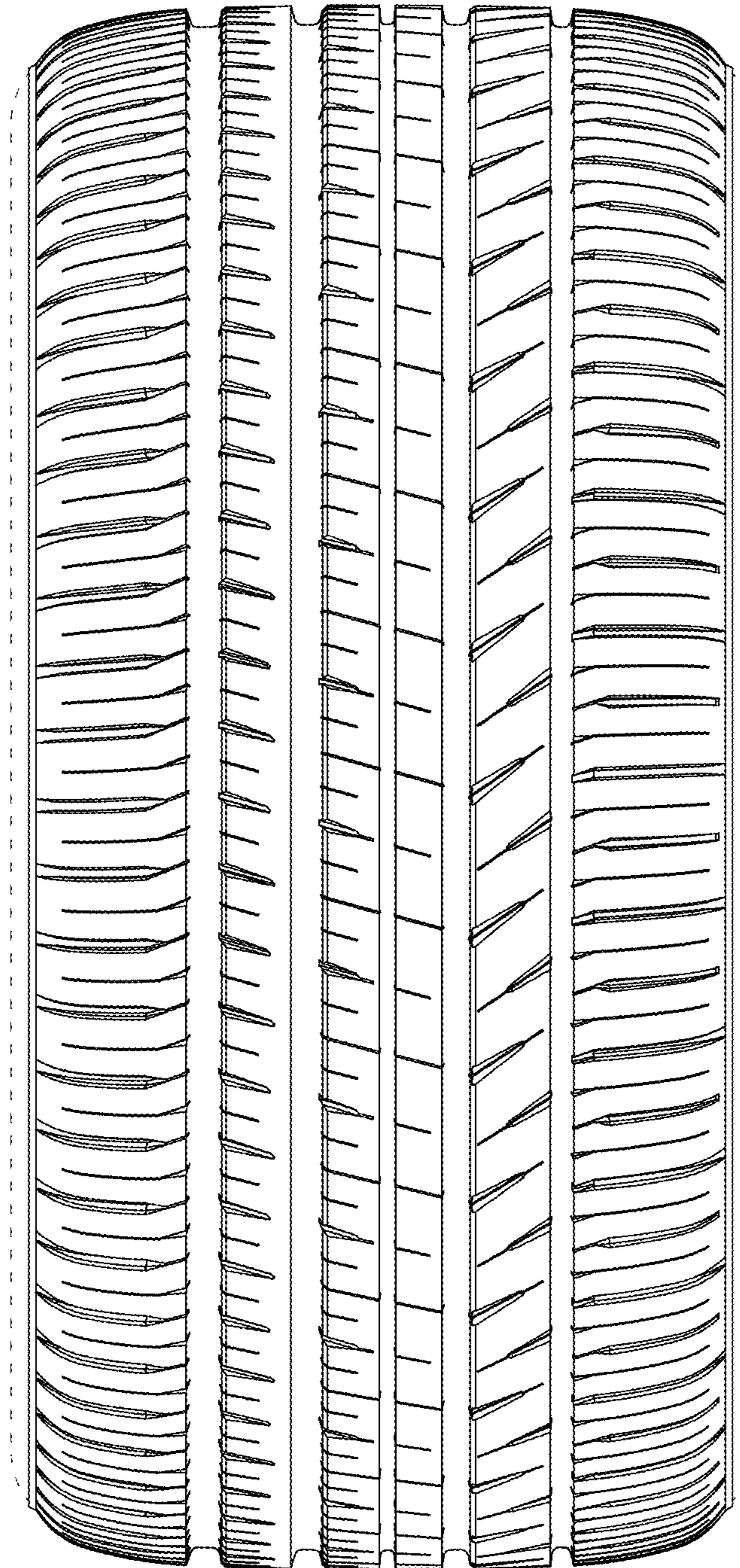


FIG. 4

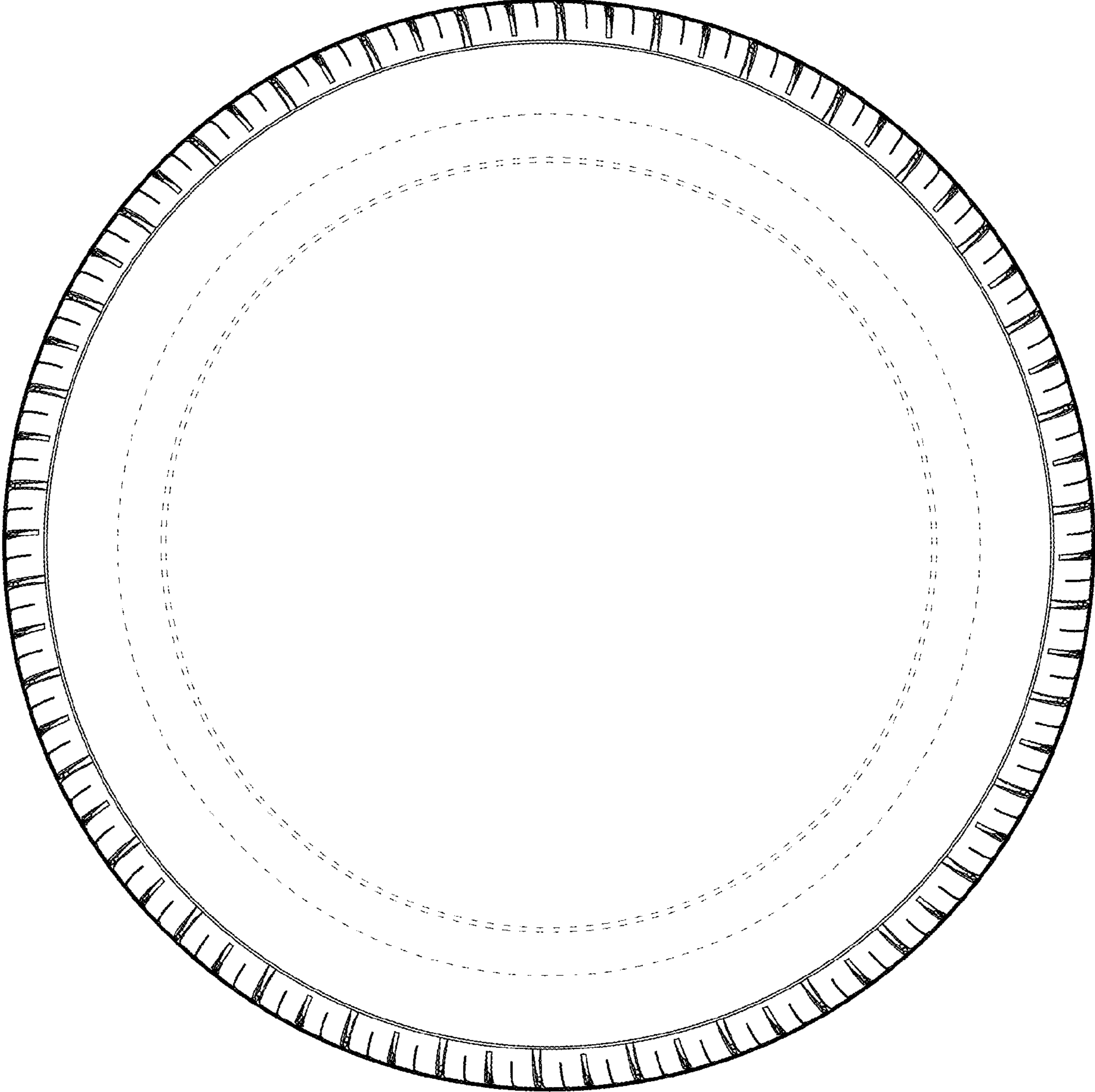


FIG. 5

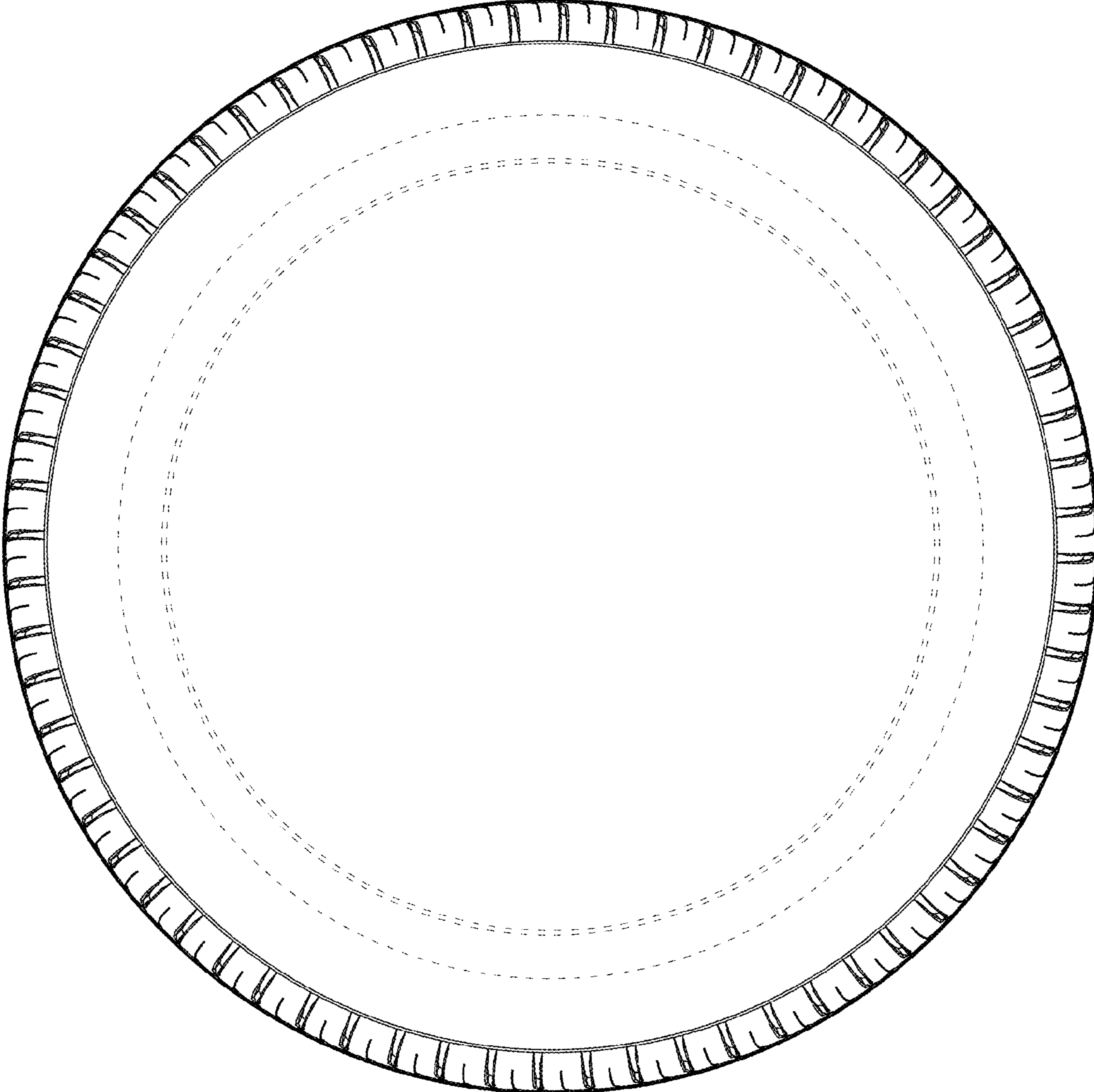


FIG. 6



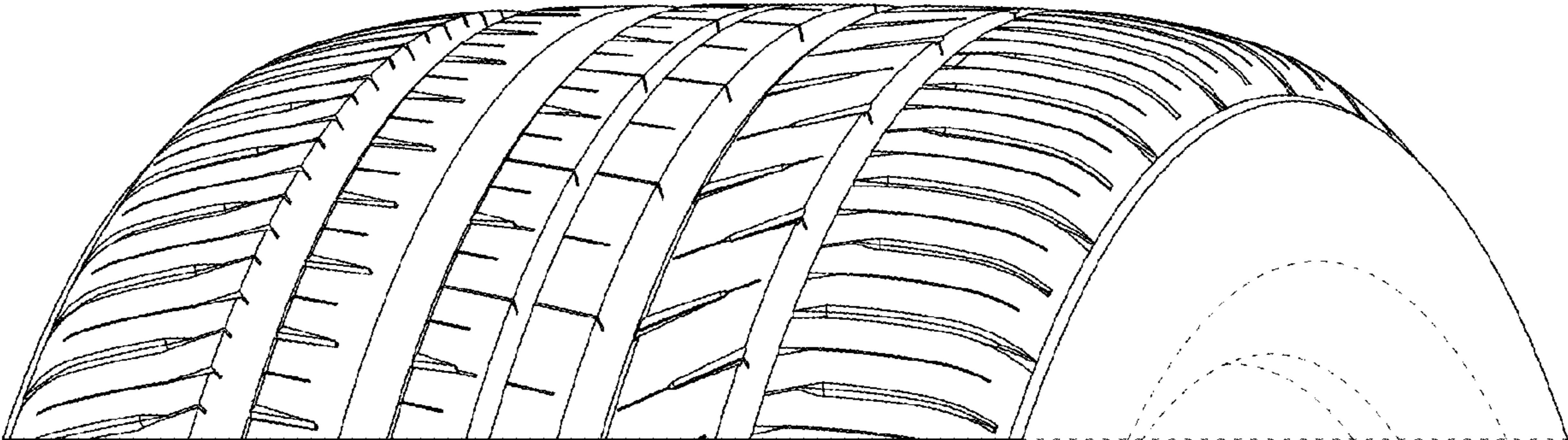


FIG. 7

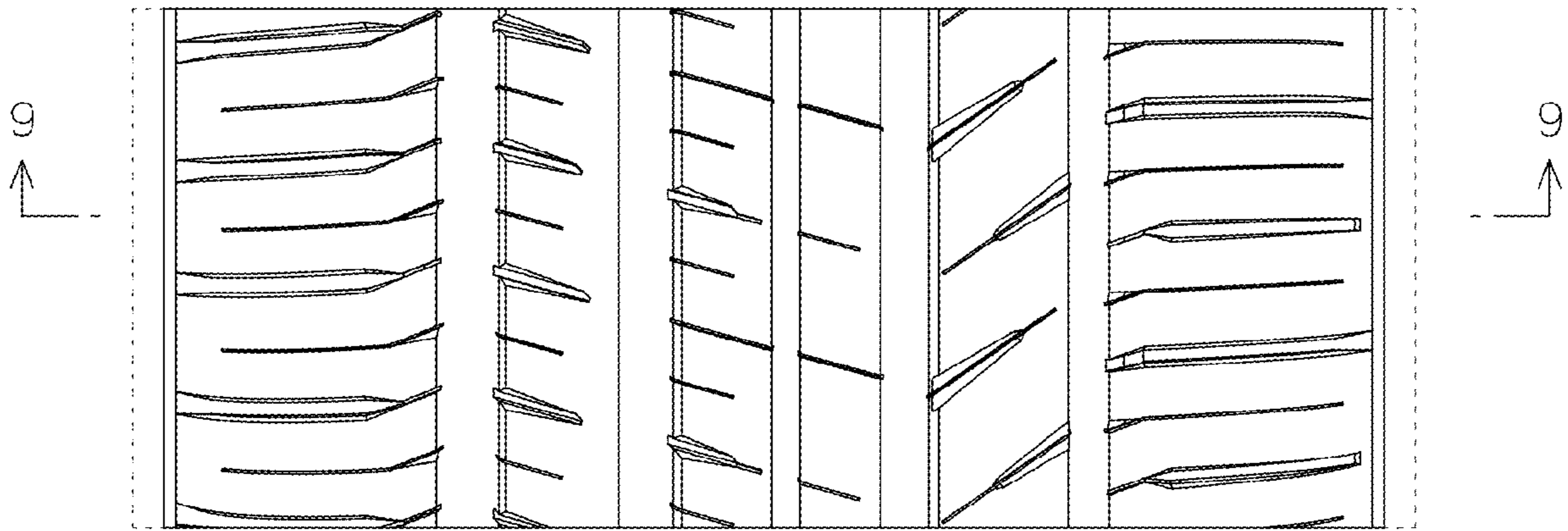


FIG. 8

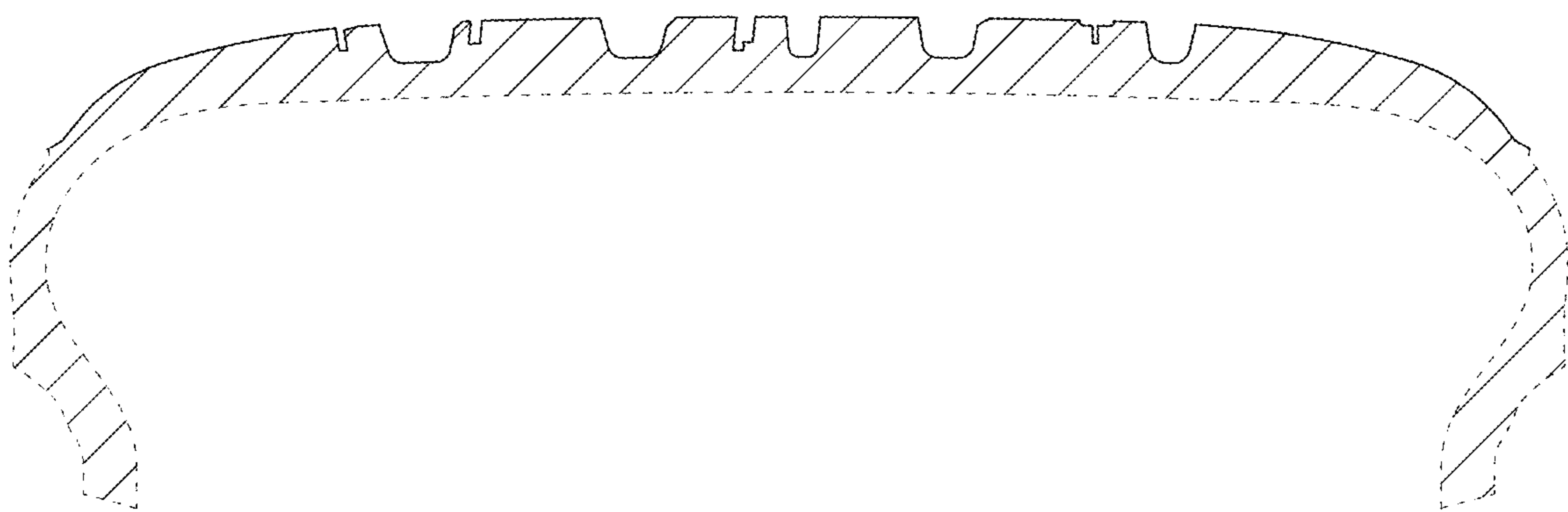


FIG. 9