



US00D920887S

(12) **United States Design Patent** (10) **Patent No.:** **US D920,887 S**  
**Lovati et al.** (45) **Date of Patent:** **\*\* Jun. 1, 2021**

(54) **CANOPY FOR A VEHICLE**  
(71) Applicant: **SGUINZI PIETRO S.P.A.**, Gaggiano (IT)  
(72) Inventors: **Stefano Lovati**, Gaggiano (IT); **Luca Franzosi**, Cornaredo (IT)  
(73) Assignee: **SGUINZI PIETRO S.P.A.**, Gaggiano (IT)  
(\*\*) Term: **15 Years**  
(21) Appl. No.: **29/699,415**  
(22) Filed: **Jul. 25, 2019**  
(30) **Foreign Application Priority Data**  
Feb. 1, 2019 (EM) ..... 006146015  
(51) **LOC (13) Cl.** ..... **12-16**  
(52) **U.S. Cl.**  
USPC ..... **D12/404**  
(58) **Field of Classification Search**  
USPC .... D12/82, 84, 86, 93, 96, 98, 99, 100, 101, D12/114, 181, 190, 196, 222, 223, 400, D12/401, 403, 404, 406, 407, 408, 409, D12/410, 412, 413, 414, 414.1, 417, 182, D12/183; D21/424, 434, 533, 548, 552, D21/559, 561, 581  
CPC .... B62D 35/001; B62D 35/002; B62D 25/06; B62D 29/045; B62D 65/14; B62D 47/02; B62D 31/02; B60P 7/02; B60P 7/14; B60J 7/20; B60J 1/02; B60R 9/00; B60R 9/02; B60R 9/04; B60R 9/06; B60R 9/08; B60R 9/10; B60R 9/045; B60R 9/048; B60R 9/055; B60R 9/058; B60R 13/02; B60R 13/04  
See application file for complete search history.

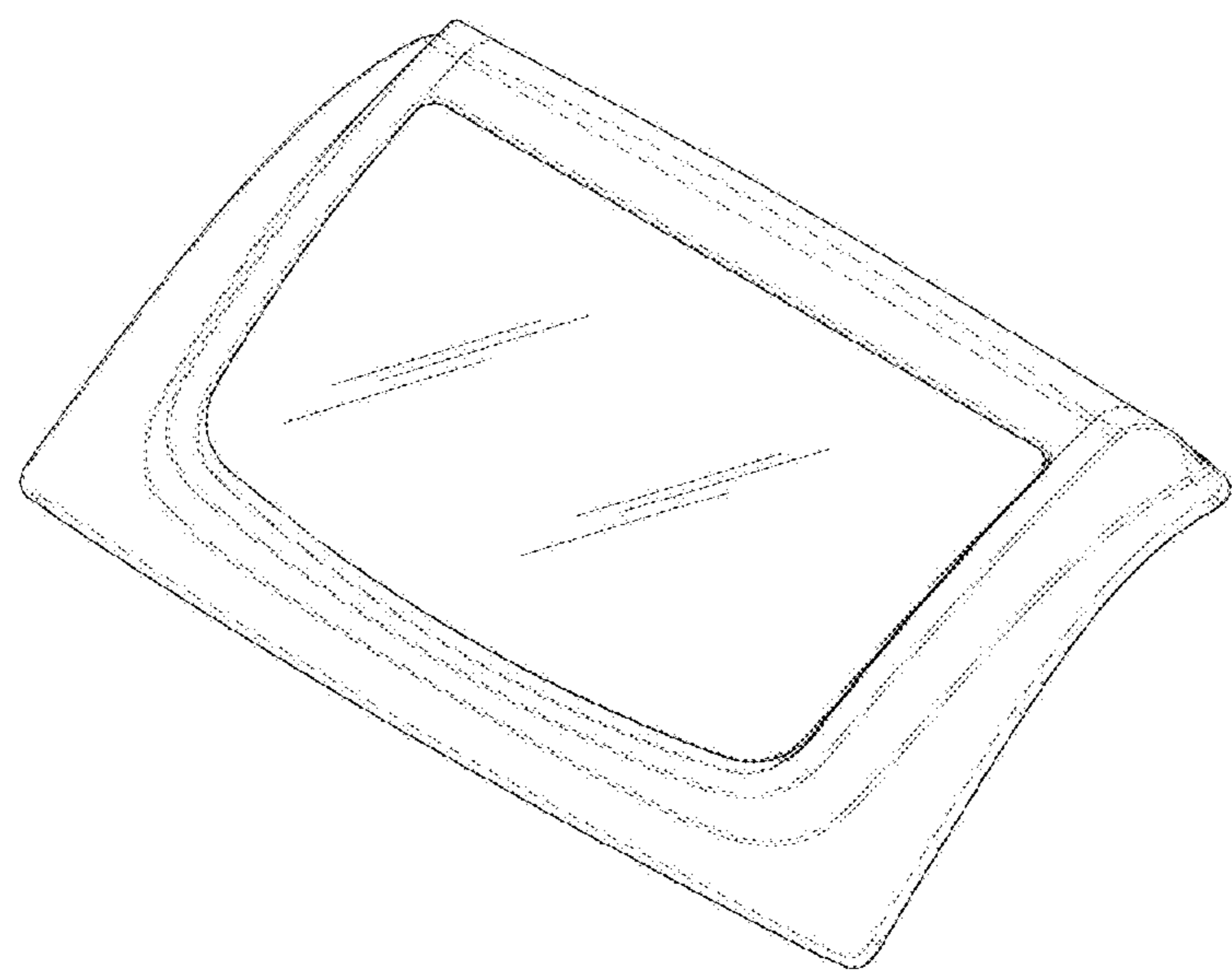
(56) **References Cited**  
U.S. PATENT DOCUMENTS  
D163,594 S \* 6/1951 Gaiser et al. .... D12/182  
D206,530 S \* 12/1966 Zell ..... D12/183  
D249,495 S \* 9/1978 Wallace ..... D12/89  
D249,497 S \* 9/1978 Slider ..... D12/404  
D262,531 S \* 1/1982 Hanson ..... D12/100  
D289,276 S \* 4/1987 Collins ..... D12/401  
D335,116 S \* 4/1993 Reed ..... D12/404  
D408,007 S \* 4/1999 Lund ..... D12/401  
D423,990 S \* 5/2000 Meryman ..... D12/96  
D466,442 S \* 12/2002 Cornell ..... D12/84  
D708,557 S \* 7/2014 Grech ..... D12/183  
9,038,531 B1 \* 5/2015 Parshall ..... B60P 7/02  
100/5  
D774,953 S \* 12/2016 Grech ..... D12/96  
D782,947 S \* 4/2017 Sausaman ..... D12/181  
(Continued)

*Primary Examiner* — Christian P. McLean  
*Assistant Examiner* — Adam C Mager  
(74) *Attorney, Agent, or Firm* — Shuttleworth & Ingersoll, PLC; Timothy Klima

(57) **CLAIM**  
The ornamental design for a canopy for a vehicle, as shown and described.

**DESCRIPTION**  
FIG. 1 is a top perspective view of a canopy for a vehicle; FIG. 2 is a top view of the embodiment thereof; FIG. 3 is a bottom view of the embodiment thereof; FIG. 4 is a front view of the embodiment thereof; FIG. 5 is a rear view of the embodiment thereof; FIG. 6 is a left side view of the embodiment thereof; FIG. 7 is a top perspective view of the embodiment thereof; and, FIG. 8 is a right side view of the embodiment thereof. The broken lines shown are for the purpose of illustrating environmental structure and form no part of the claimed design.

**1 Claim, 8 Drawing Sheets**



(56)

**References Cited**

U.S. PATENT DOCUMENTS

D808,863 S \* 1/2018 Grech ..... D12/96  
D808,864 S \* 1/2018 Grech ..... D12/96  
D881,110 S \* 4/2020 Herndon ..... D12/412  
2016/0059910 A1 \* 3/2016 Durand ..... B62D 35/02  
296/180.4  
2017/0259854 A1 \* 9/2017 Sausaman ..... B62D 25/02

\* cited by examiner

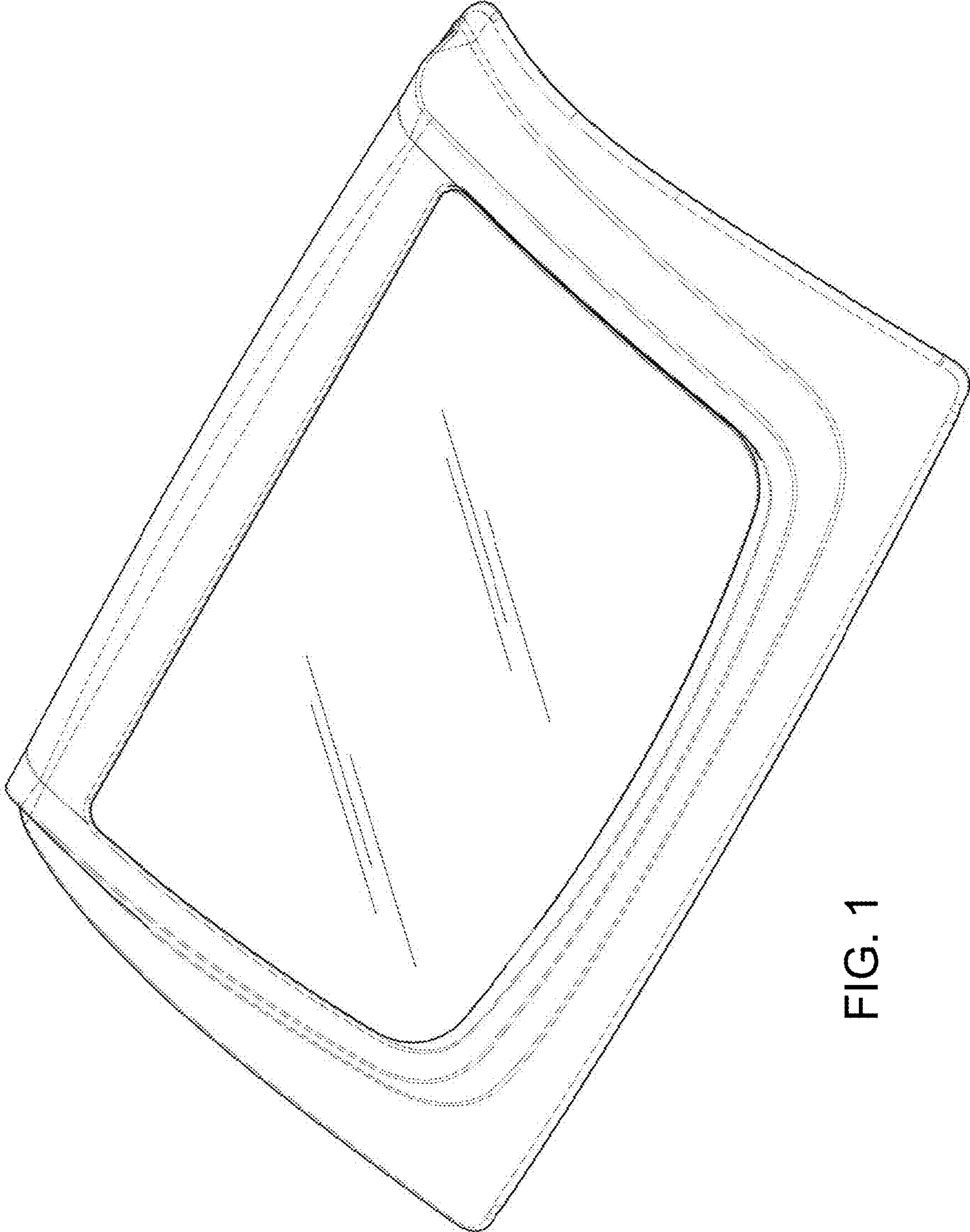


FIG. 1

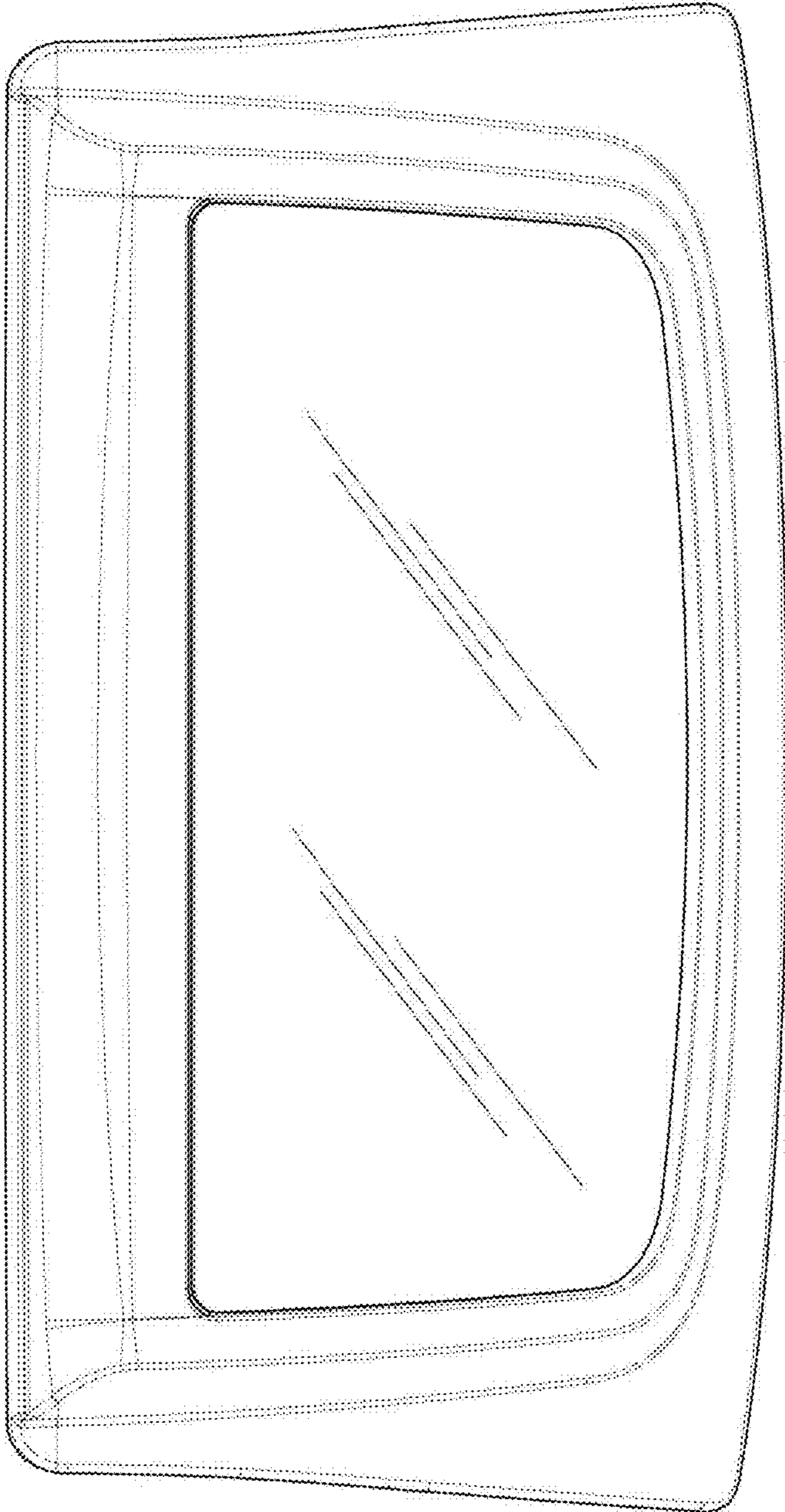


FIG. 2

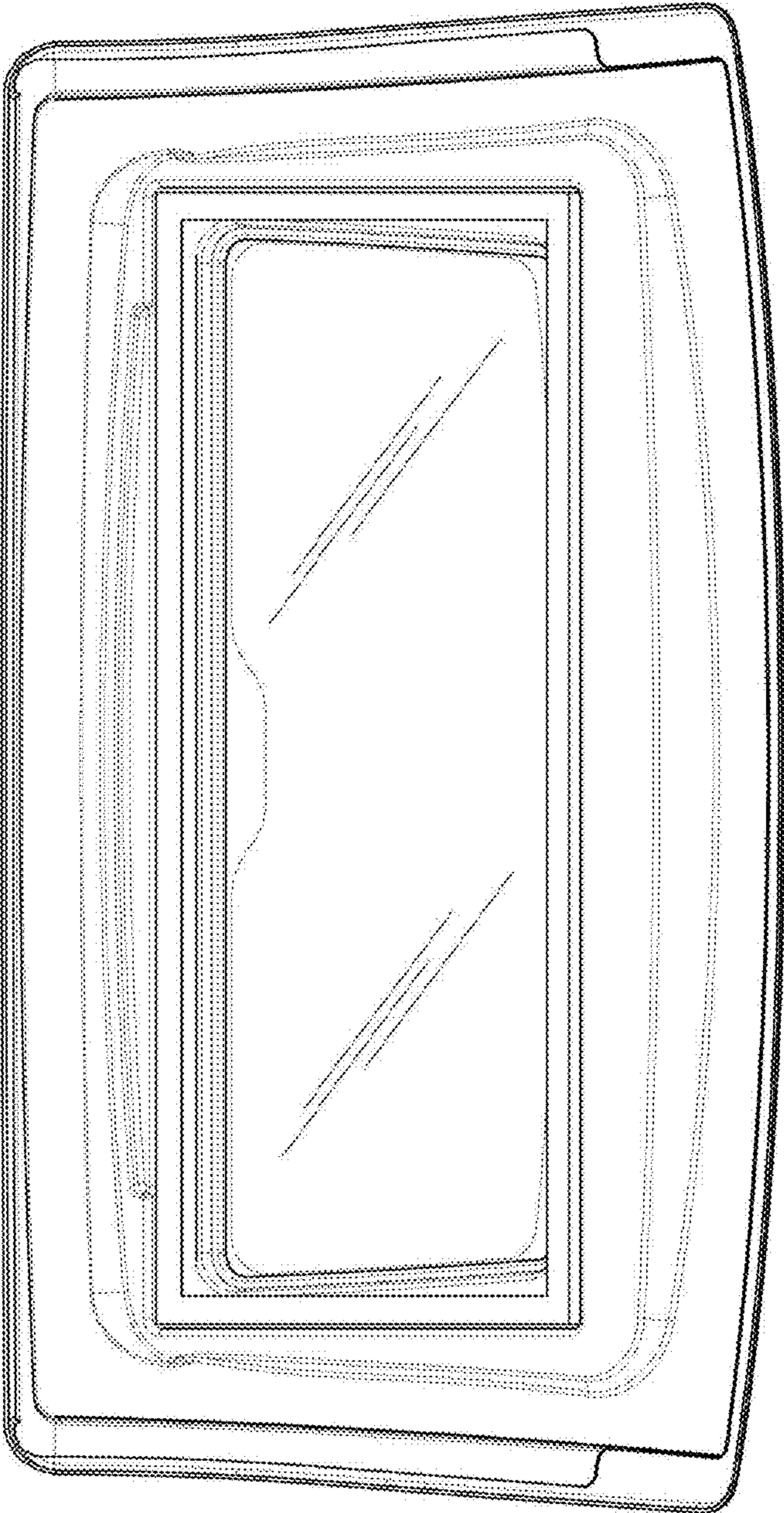


FIG. 3

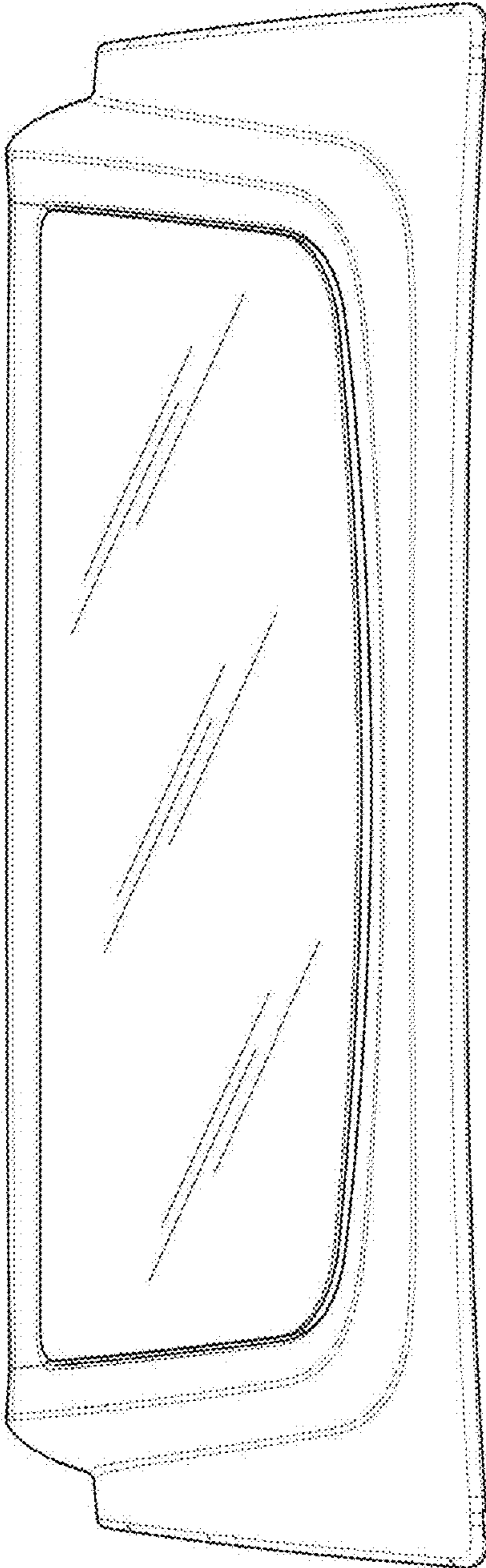


FIG. 4

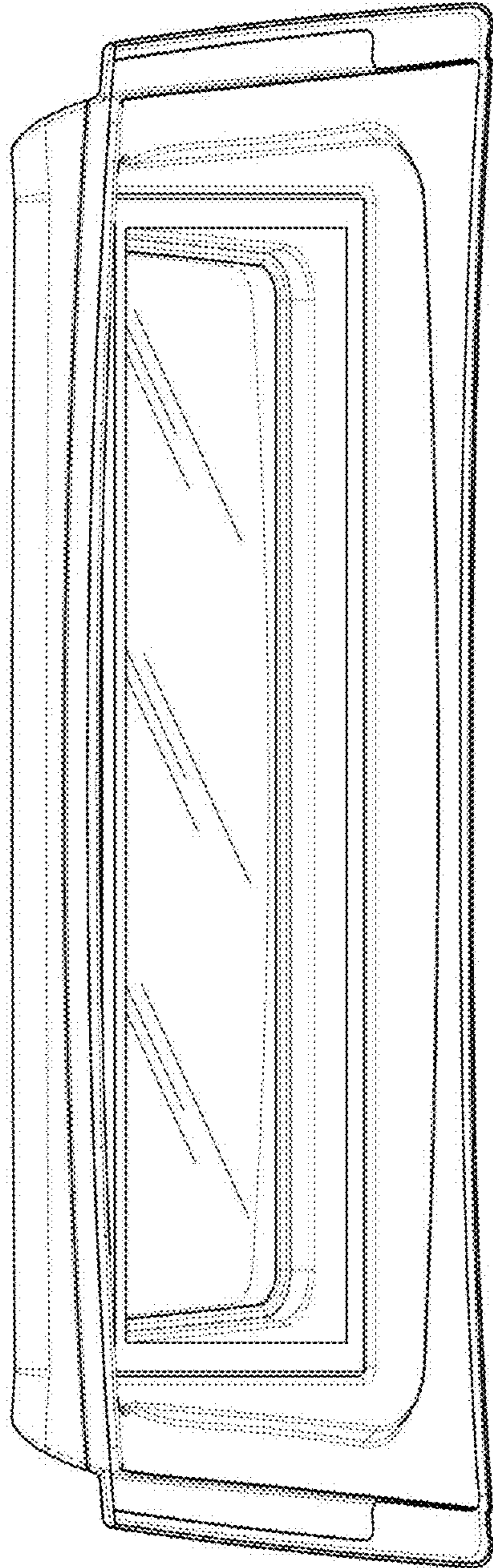


FIG. 5

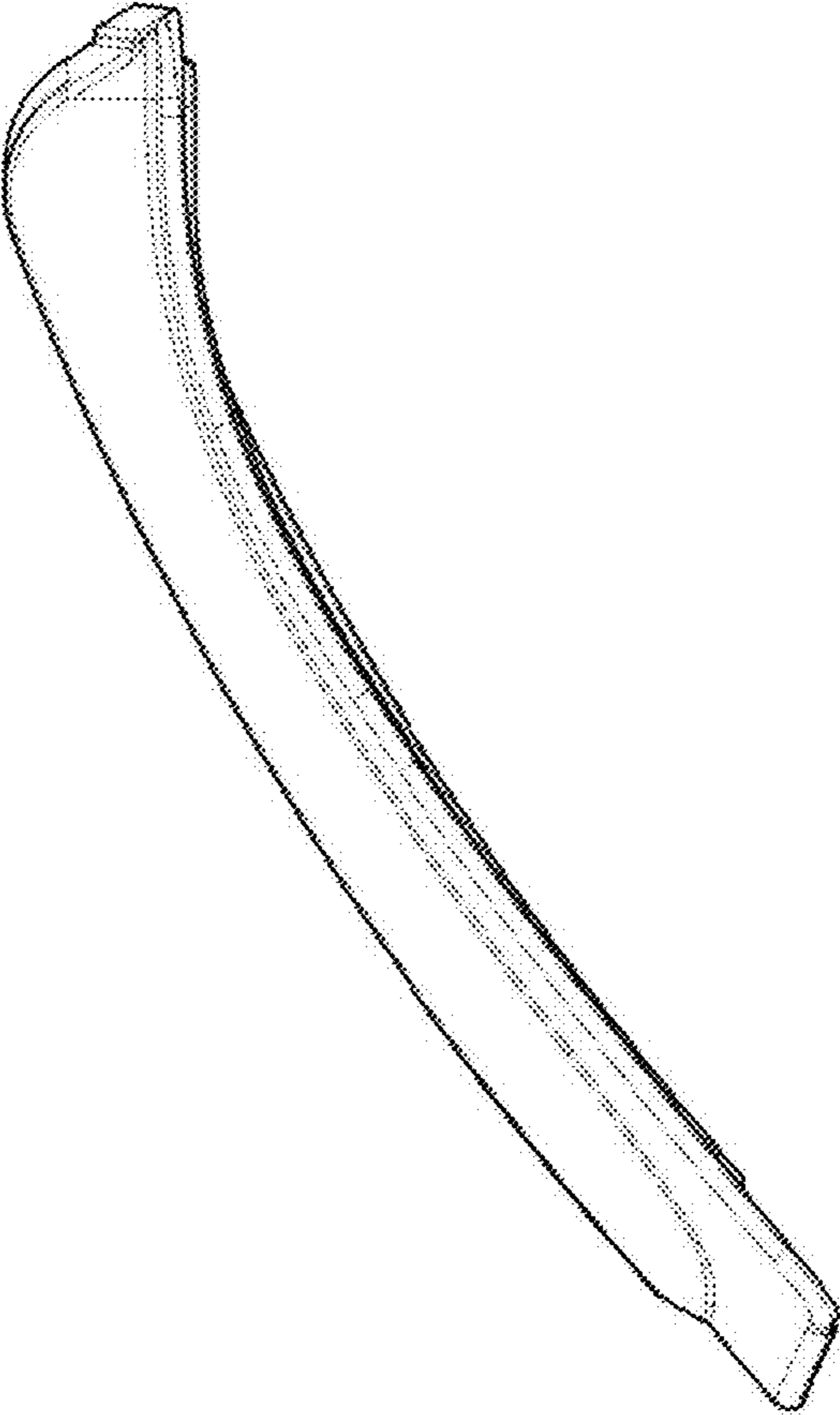


FIG. 6



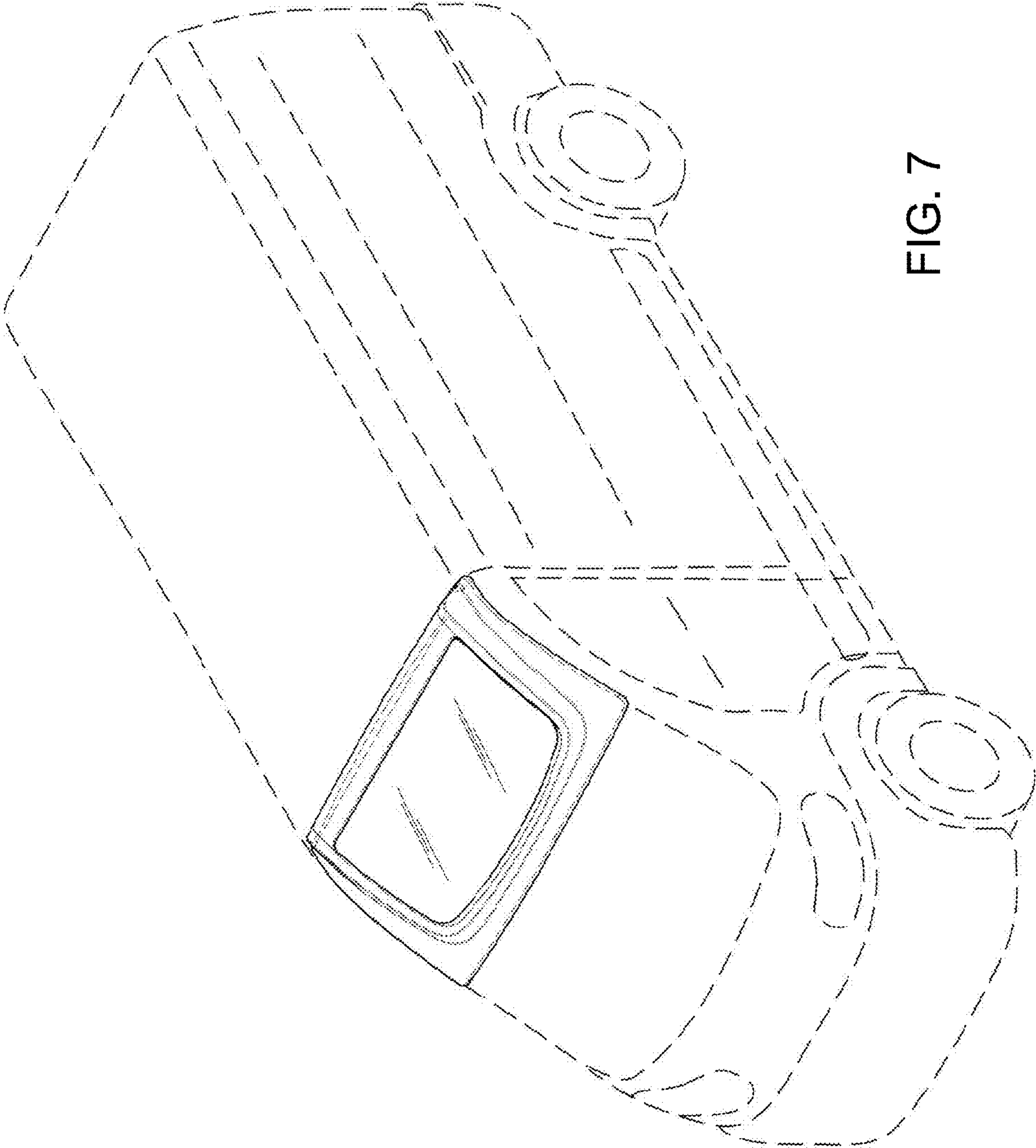


FIG. 7

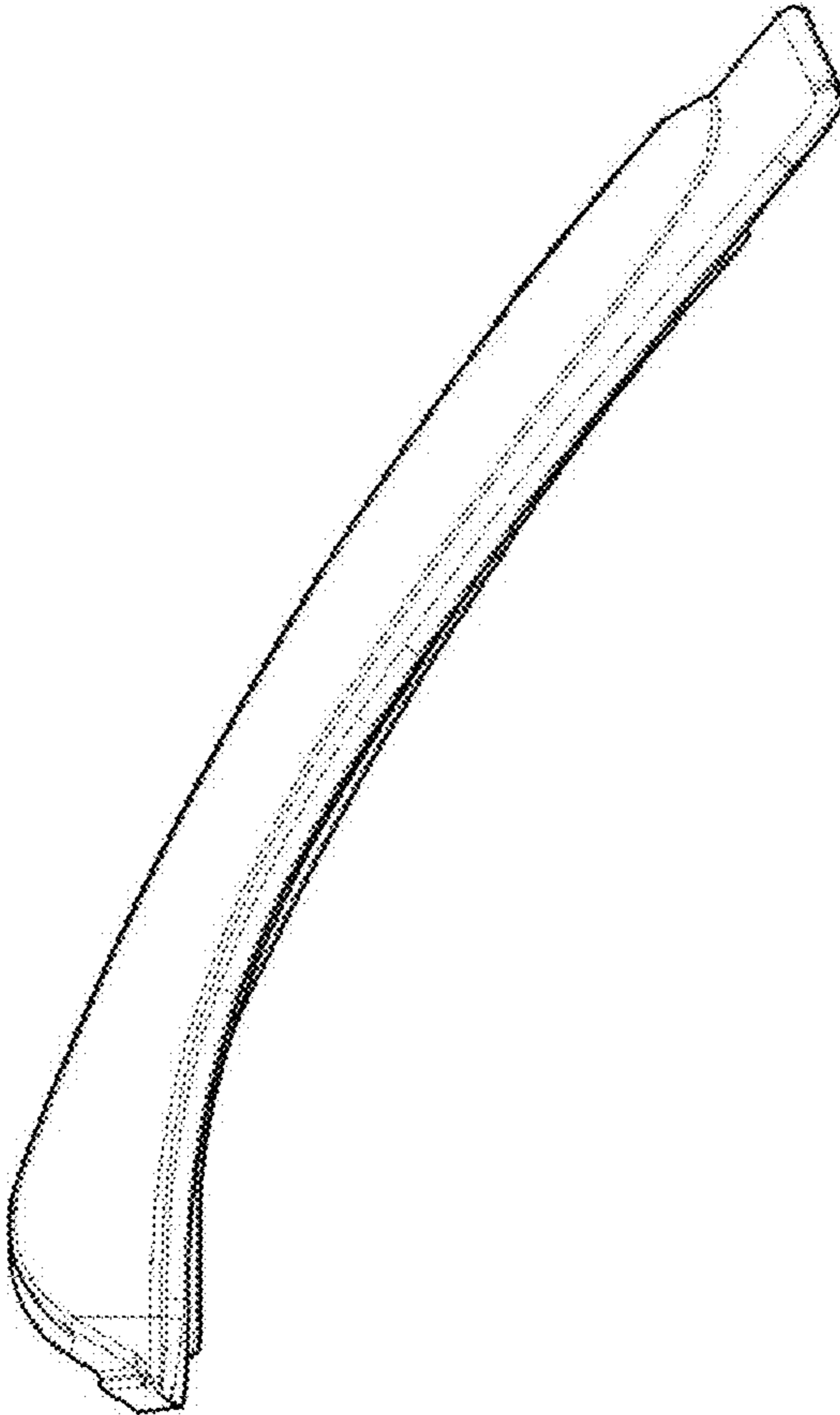


FIG. 8