



US00D920886S

(12) **United States Design Patent**
Clarke et al.

(10) **Patent No.:** **US D920,886 S**
(45) **Date of Patent:** **** Jun. 1, 2021**

- (54) **SUPPORT FRAME ASSEMBLY**
- (71) Applicant: **Rhino Rack Australia Pty Limited**,
New South Wales (AU)
- (72) Inventors: **Nicholas Clarke**, New South Wales
(AU); **William Davis**, New South
Wales (AU)
- (73) Assignee: **Rhino Rack Australia Pty Limited**,
New South Wales (AU)

- D488,754 S * 4/2004 Spencer D12/193
- D557,647 S * 12/2007 Parenti D12/193
- D566,025 S * 4/2008 Hu D12/193
- 7,401,427 B2 * 7/2008 Zander B60R 13/105
248/222.11
- D578,049 S * 10/2008 Son D12/193
- D590,311 S * 4/2009 Pacleb D12/193
- D596,545 S * 7/2009 Son D12/193
- D599,725 S * 9/2009 Hu D12/193
- D602,831 S * 10/2009 Spencer D12/193
- D636,713 S * 4/2011 Ohm D12/193

(Continued)

(**) Term: **15 Years**

(21) Appl. No.: **29/688,986**

(22) Filed: **Apr. 25, 2019**

(30) **Foreign Application Priority Data**

Oct. 26, 2018 (AU) 201816442

(51) **LOC (13) Cl.** **12-16**

(52) **U.S. Cl.**
USPC **D12/400**; D12/406; D12/414; D12/412;
D12/193

(58) **Field of Classification Search**
USPC D12/193, 192, 195, 420, 400-416;
D6/300-302, 310-314; D20/13;
D14/496, 498-506, 154, 157, 168-171,
D14/188-198, 257, 258; 248/27.1, 27.3,
248/558; 455/347, 350
CPC B60R 13/10; B60R 13/105; B60R 19/24;
B60R 19/52; B60R 11/02; B60K 37/04;
B60K 37/06; H04B 1/08
See application file for complete search history.

(56) **References Cited**

U.S. PATENT DOCUMENTS

- D453,491 S * 2/2002 Schmitz D12/193
- D469,043 S * 1/2003 Ohm D12/193
- D471,497 S * 3/2003 Baker D12/193

OTHER PUBLICATIONS

Jeep Wrangler JL 4-Door Rhino-Rack Backbone Installation, YouTube.com, Rhino-Rack, Jul. 2, 2019, [online], [site visited Jun. 19, 2020], <URL: <https://www.youtube.com/watch?v=PVZyOR2XrEc>> (Year: 2019).*

(Continued)

Primary Examiner — T Chase Nelson
Assistant Examiner — Jonathan J. Han
(74) *Attorney, Agent, or Firm* — Magleby Cataxinos & Greenwood P.C.

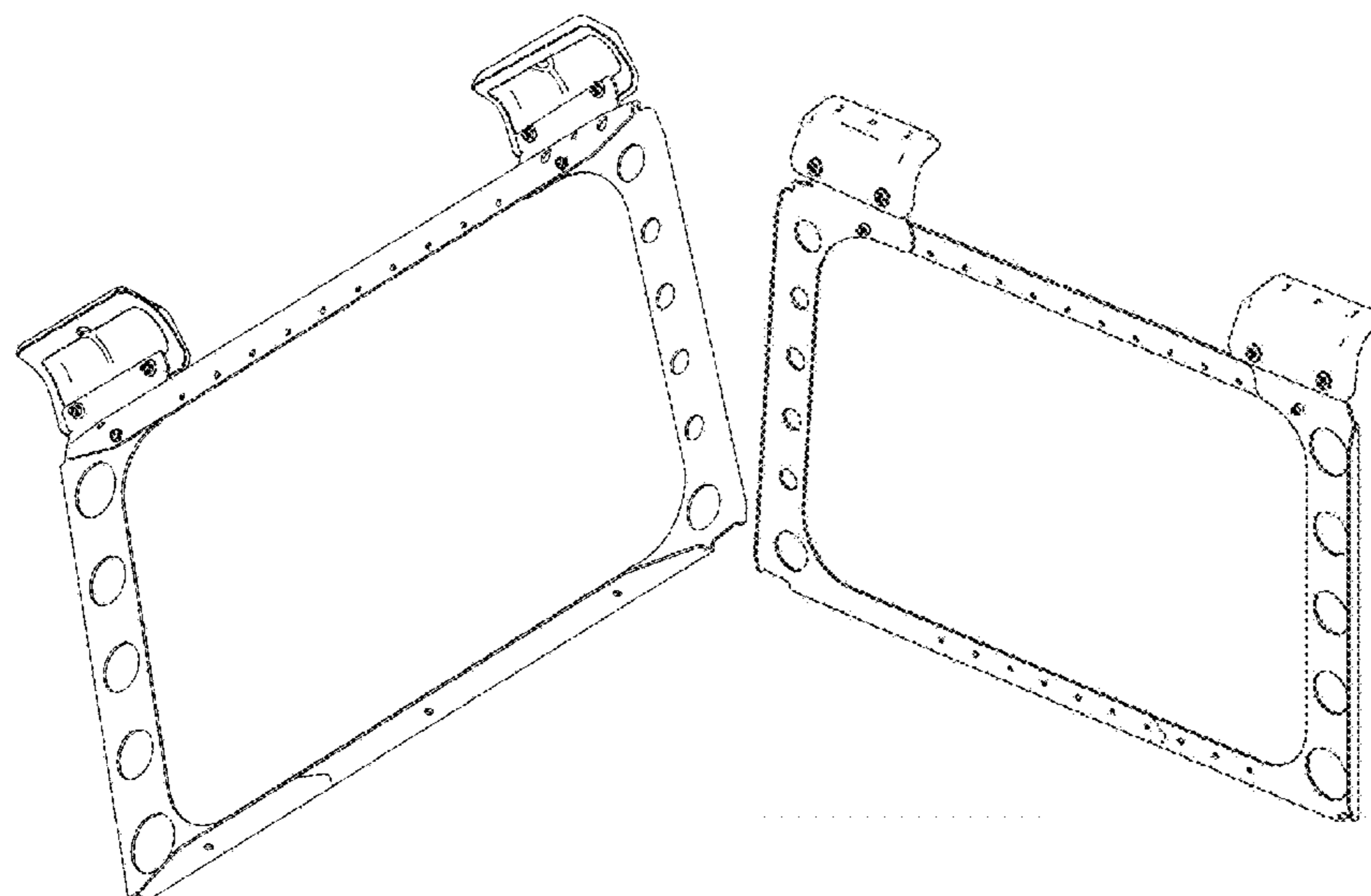
(57) **CLAIM**

The ornamental design for a support frame assembly, as shown and described.

DESCRIPTION

FIG. 1 is a front view of a support frame assembly;
FIG. 2 is a rear view thereof;
FIG. 3 is an upper left perspective view thereof;
FIG. 4 is a lower left perspective view thereof;
FIG. 5 is an upper right perspective view thereof;
FIG. 6 is a lower right perspective view thereof;
FIG. 7 is a left side elevation view thereof;
FIG. 8 is a right side elevation view thereof;
FIG. 9 is a bottom plan view thereof; and,
FIG. 10 is a top plan view thereof.

1 Claim, 10 Drawing Sheets



(56)

References Cited

U.S. PATENT DOCUMENTS

7,942,474 B2 * 5/2011 Jones B60R 11/0264
180/90
D640,177 S * 6/2011 Ohm D12/193
D644,582 S * 9/2011 Palmer D12/193
D654,838 S * 2/2012 Sanchez D12/193
D662,448 S * 6/2012 Krankkala D12/193
D672,297 S * 12/2012 Dong D12/193
D676,792 S * 2/2013 Benjamini D12/193
D684,513 S * 6/2013 Spencer D12/193
D689,805 S * 9/2013 Spencer D12/193
D691,533 S * 10/2013 Spencer D12/193
D692,815 S * 11/2013 Chung D12/193
D721,998 S * 2/2015 Spencer D12/193
D739,800 S * 9/2015 Spencer D12/193
D780,651 S * 3/2017 Spencer D12/193
D784,879 S * 4/2017 Liao D12/193
D791,665 S * 7/2017 Filakousky D12/193
D792,825 S * 7/2017 Filakousky D12/193
D818,919 S * 5/2018 Spencer D12/193

D839,159 S * 1/2019 Clarke D12/193
D847,713 S * 5/2019 Swisher D12/193
D871,287 S * 12/2019 Spencer D12/193
D872,666 S * 1/2020 Marksteiner D12/193
D875,629 S * 2/2020 Alesi D12/193
D876,315 S * 2/2020 Gao D12/400
D876,427 S * 2/2020 Fiore, IV D14/258

OTHER PUBLICATIONS

Rhino-Rack Backbone Roof Rack Mounting System—Jeep Wrangler JL 4-Door, eTrailer.com, [online], [site visited Jun. 19, 2020], <URL: https://www.etrailer.com/Roof-Rack/Rhino-Rack/RRRJLB1.html?feed=npn&gclid=EALalQobChMI_aTpsWO6gIV1eDICH3C-gsVEAQYByABEgLn-_D_BwE> (Year: 2020).*
Rhino Rack Backbone Installed!, JLwranglerForums.com, frogger2020, Jul. 2, 2019, [online], [site visited Jun. 19, 2020], <URL: <https://www.jlwranglerforums.com/forum/threads/rhino-rack-backbone-installed.32801/>> (Year: 2019).*

* cited by examiner

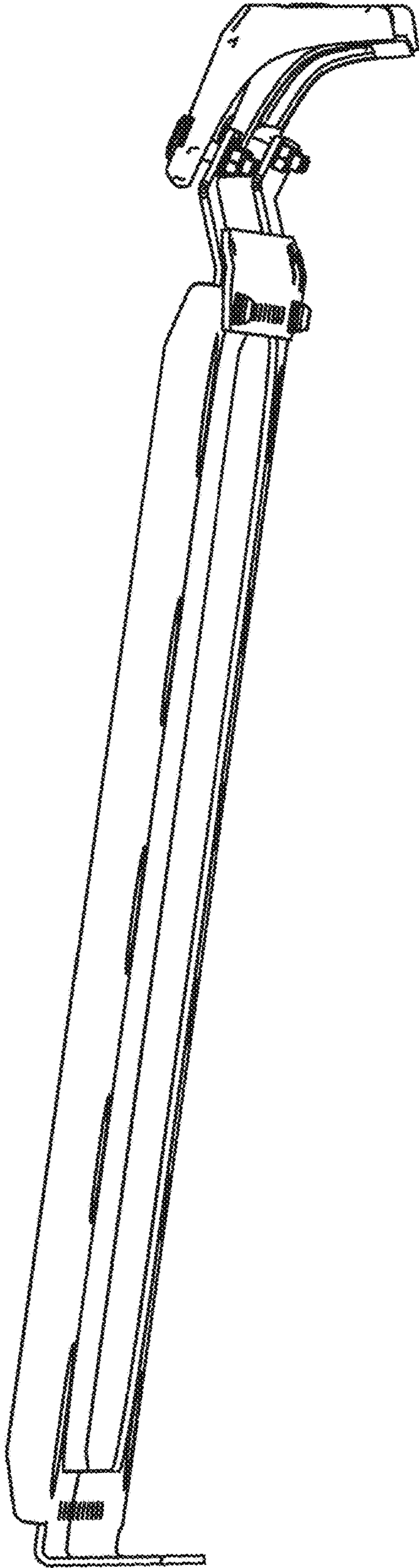


Fig. 1

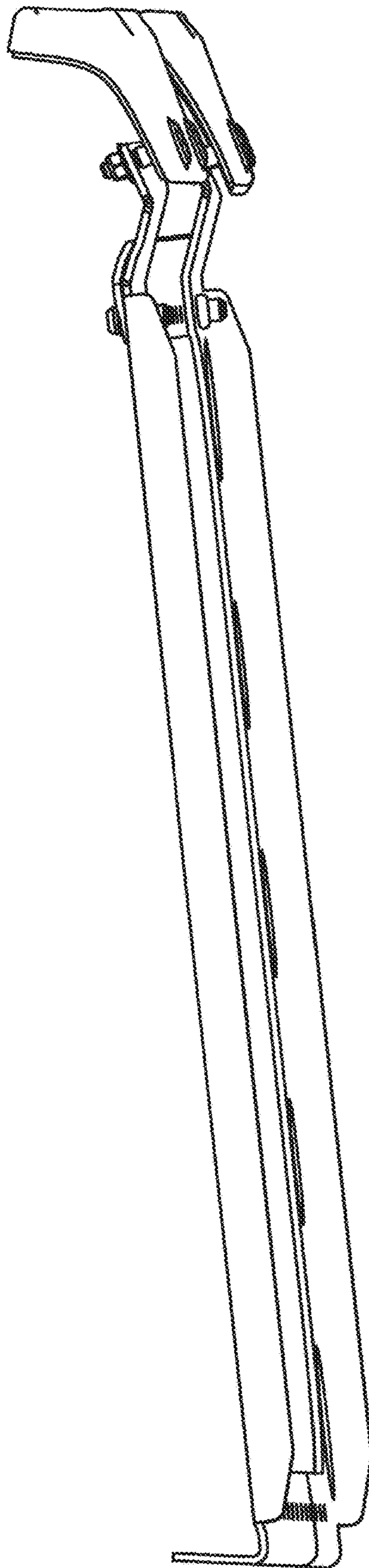


Fig. 2

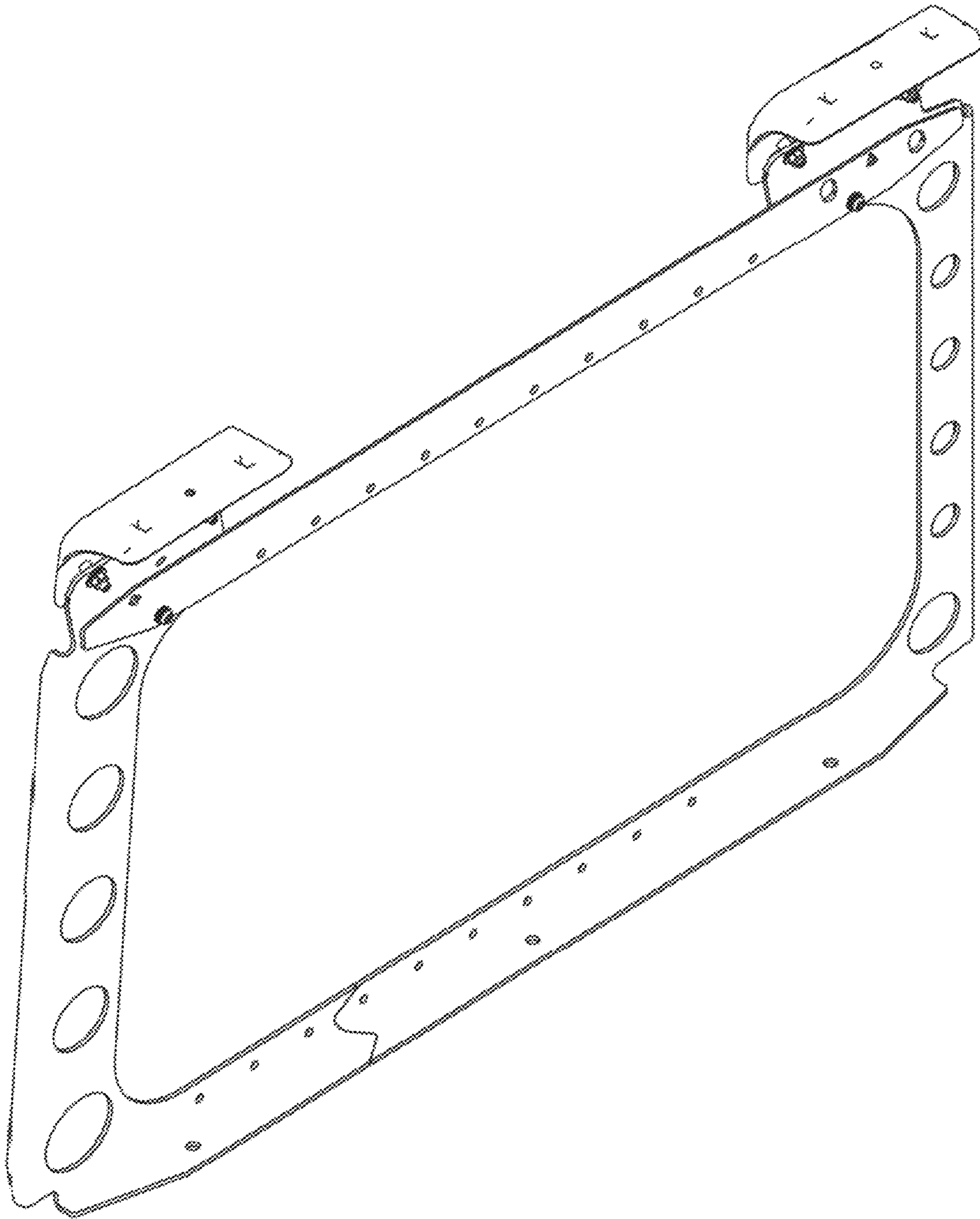


Fig. 3

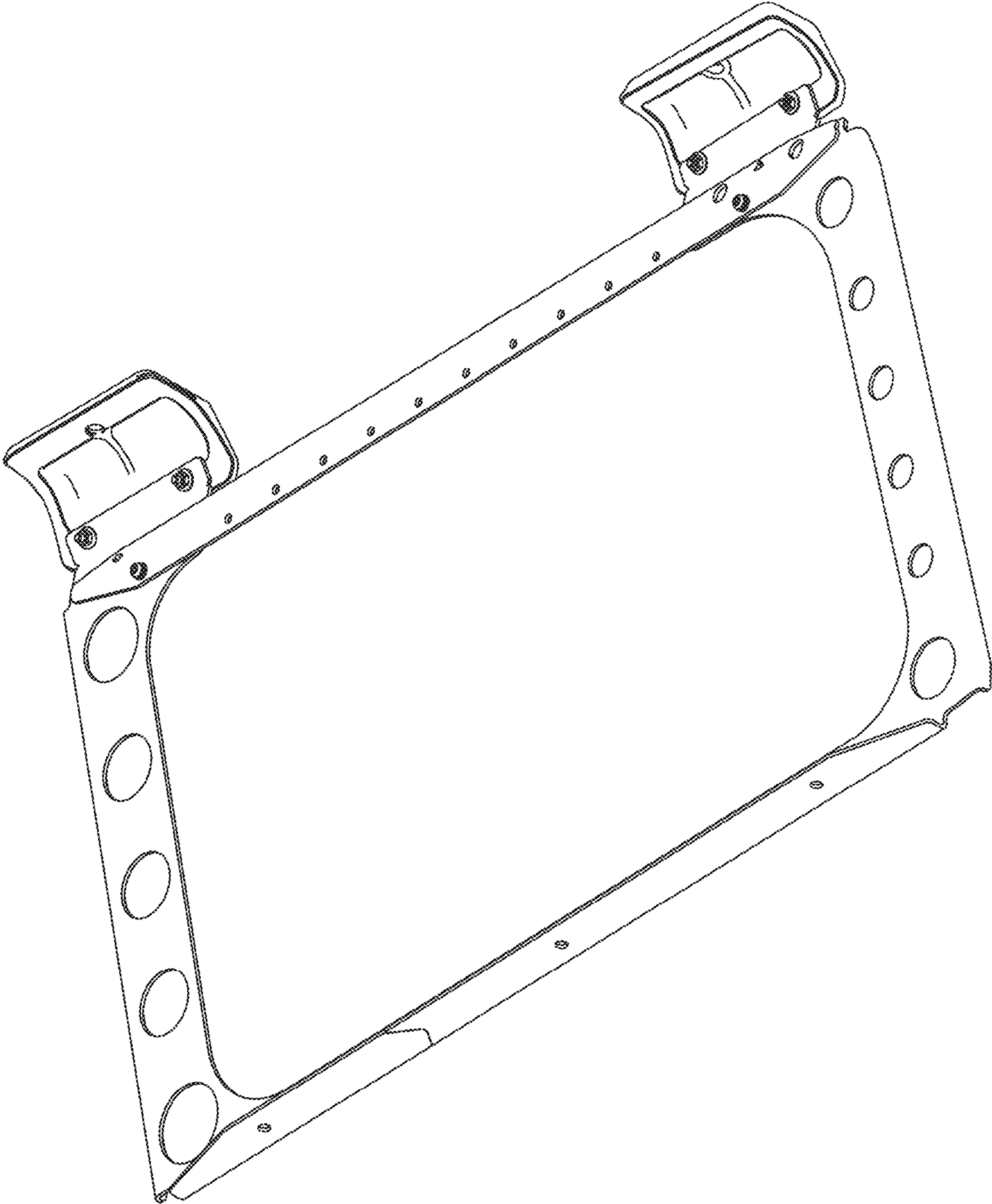


Fig. 4

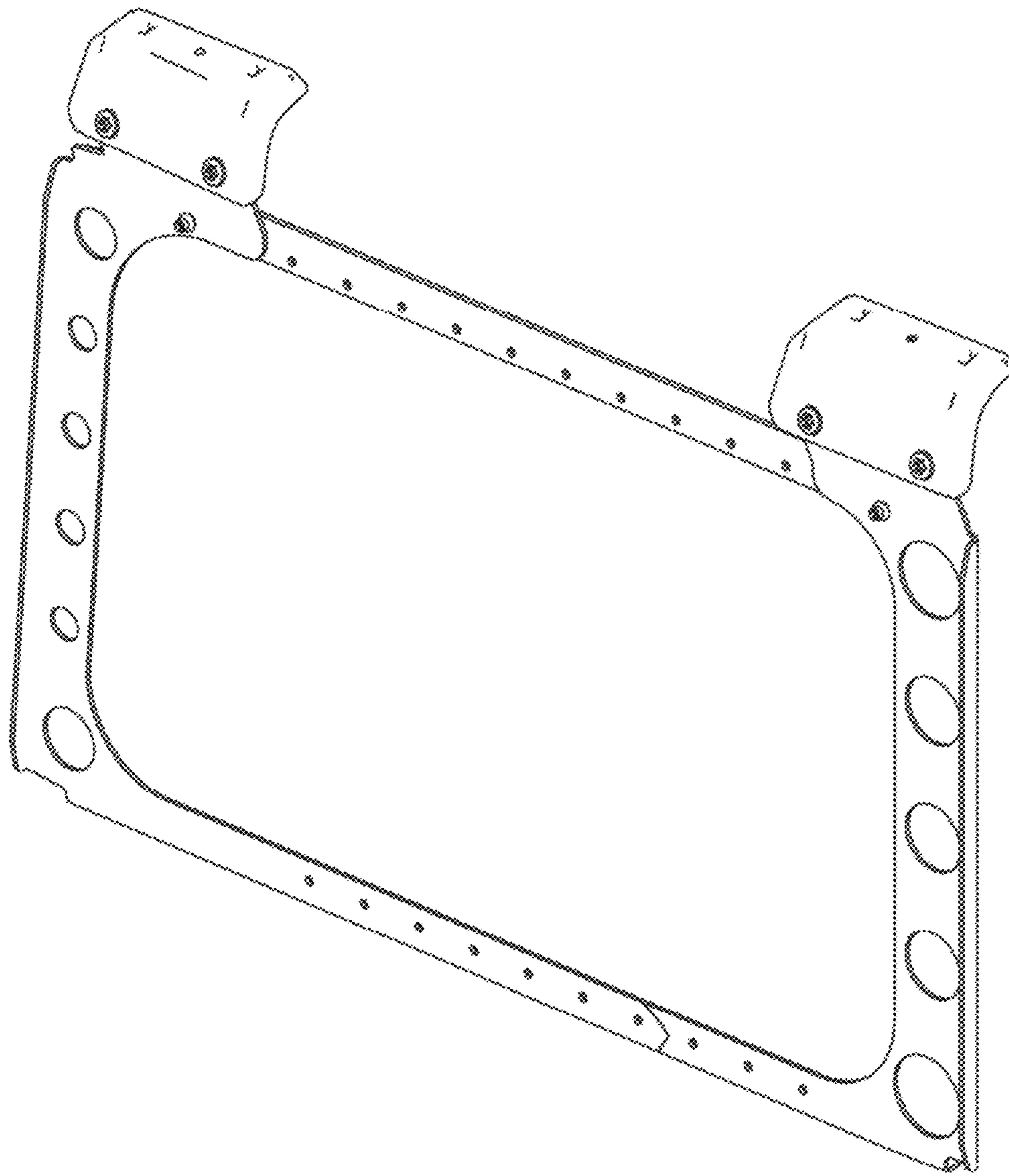


Fig. 5

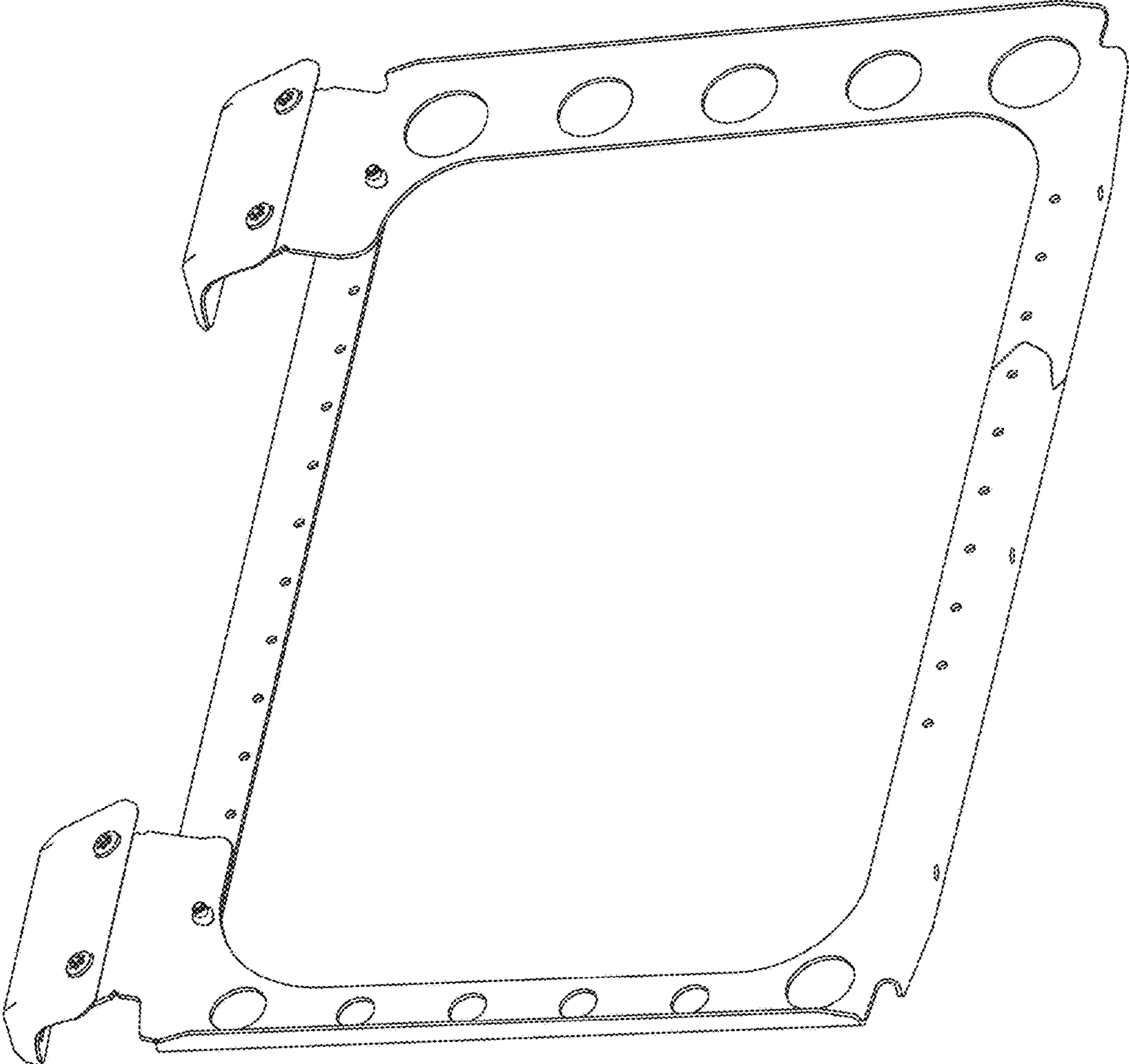


Fig. 6

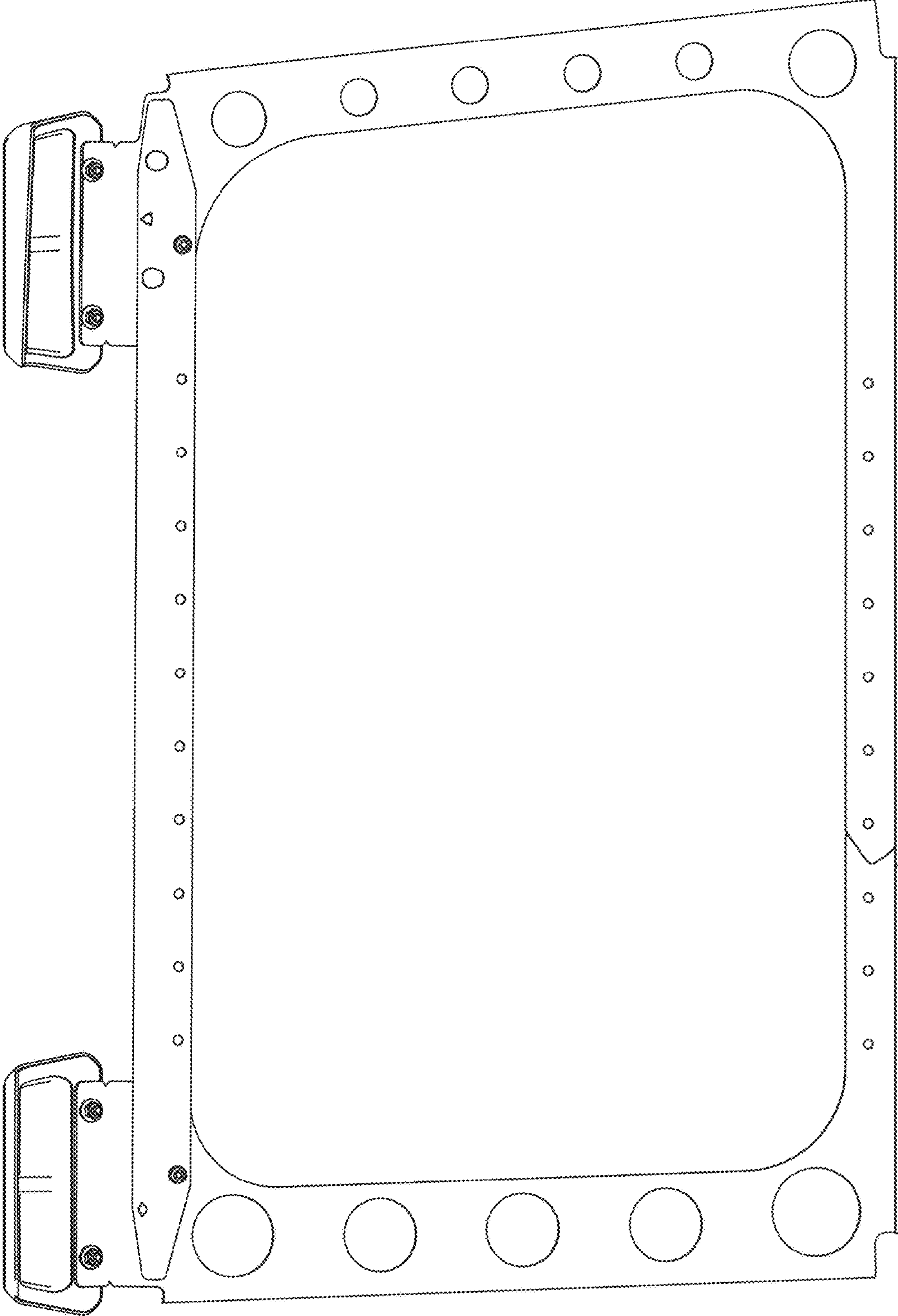


Fig. 7

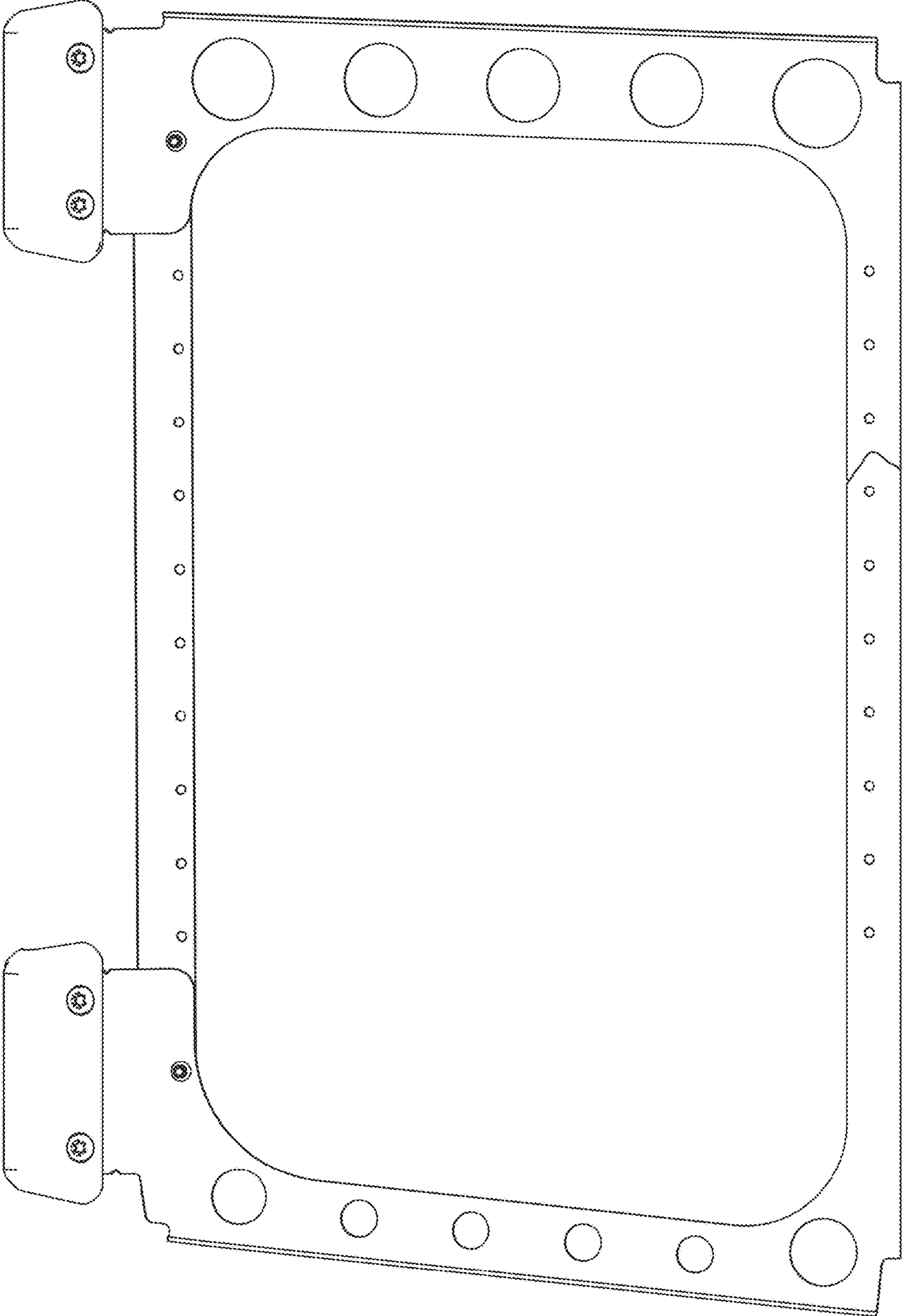


Fig. 8

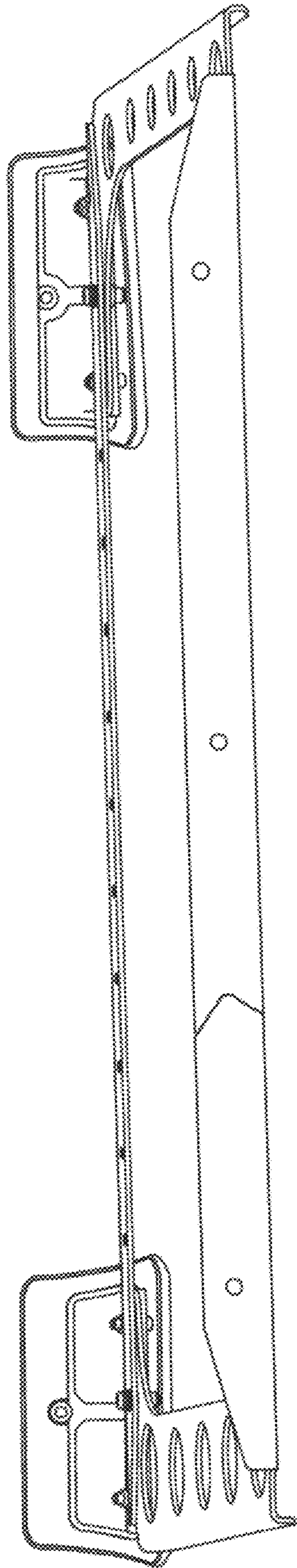


Fig. 9

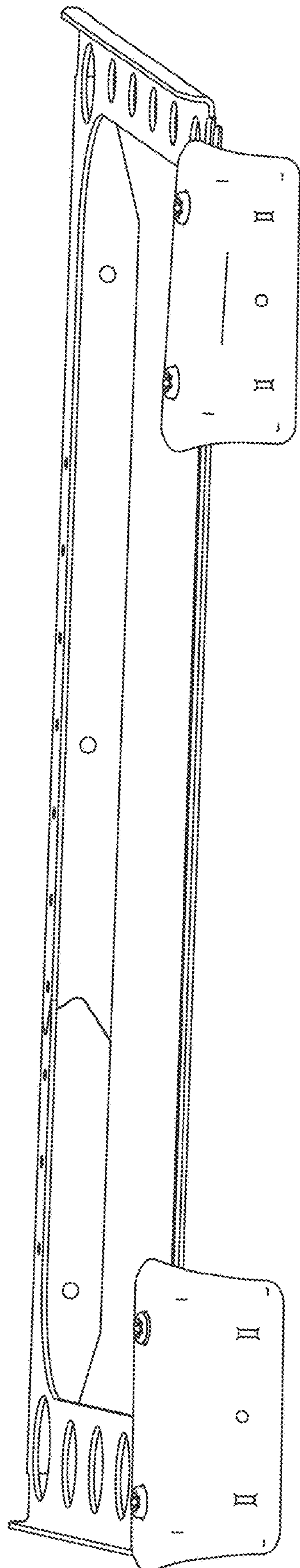


Fig. 10