



US00D920885S

(12) **United States Design Patent** (10) **Patent No.:** **US D920,885 S**
Scooler et al. (45) **Date of Patent:** **** Jun. 1, 2021**

(54) **AIRCRAFT**

(71) Applicant: **Gulfstream Aerospace Corporation**, Savannah, GA (US)

(72) Inventors: **James Scooler**, Savannah, GA (US); **Guilherme Oliveira**, Savannah, GA (US); **Andre Martins**, Savannah, GA (US); **Nicholas Schwartz**, Savannah, GA (US); **Antonio Correa**, Savannah, GA (US); **Michael Benson**, Savannah, GA (US); **Eric D'Angelo**, Savannah, GA (US); **John Wait**, Savannah, GA (US); **Jon Curry**, Savannah, GA (US); **Preyank Sheth**, Savannah, GA (US)

(73) Assignee: **Gulfstream Aerospace Corporation**, Savannah, GA (US)

(**) Term: **15 Years**

(21) Appl. No.: **29/608,372**

(22) Filed: **Jun. 21, 2017**

(51) **LOC (13) Cl.** **12-07**

(52) **U.S. Cl.**
USPC **D12/345**

(58) **Field of Classification Search**
USPC D12/319-345, 16.1, 1-4, 415;
D21/436-455; D14/218
CPC B64C 2201/146; B64C 2201/027; B64C
2201/104; B64C 25/06; B64C 25/24;
B64C 39/04; B64C 5/02
See application file for complete search history.

(56) **References Cited**

U.S. PATENT DOCUMENTS

D134,425 S * 11/1942 McDonnell D12/339
D140,129 S * 1/1945 Watter D12/344
D150,672 S * 8/1948 Beck D12/343
D157,353 S * 2/1950 Ebel et al. D12/341

D157,946 S * 4/1950 Ebel et al. D12/324
D165,735 S * 1/1952 Bayless et al. D12/324
D168,604 S * 1/1953 Trimble, Jr. D12/345
D200,743 S * 3/1965 Grebe D12/345
D202,749 S * 11/1965 Holtby D12/343
D210,328 S * 2/1968 Hill D12/330
D217,888 S * 6/1970 Biemond D12/324
D230,717 S * 3/1974 Smith D12/341
D232,427 S * 8/1974 Szlenkler D12/330

(Continued)

Primary Examiner — Marissa J Cash

(74) Attorney, Agent, or Firm — LKGlobal | Lorenz & Kopf, LLP

(57) **CLAIM**

The ornamental design for an aircraft, as shown and described.

DESCRIPTION

FIG. 1 is a front perspective view of the portion of an aircraft showing our new design;

FIG. 2 is a magnified view thereof;

FIG. 3 is a front view thereof, the back view forming no part of the claimed design;

FIG. 4 is a first side view thereof;

FIG. 5 is a second side view thereof;

FIG. 6 is a top view thereof;

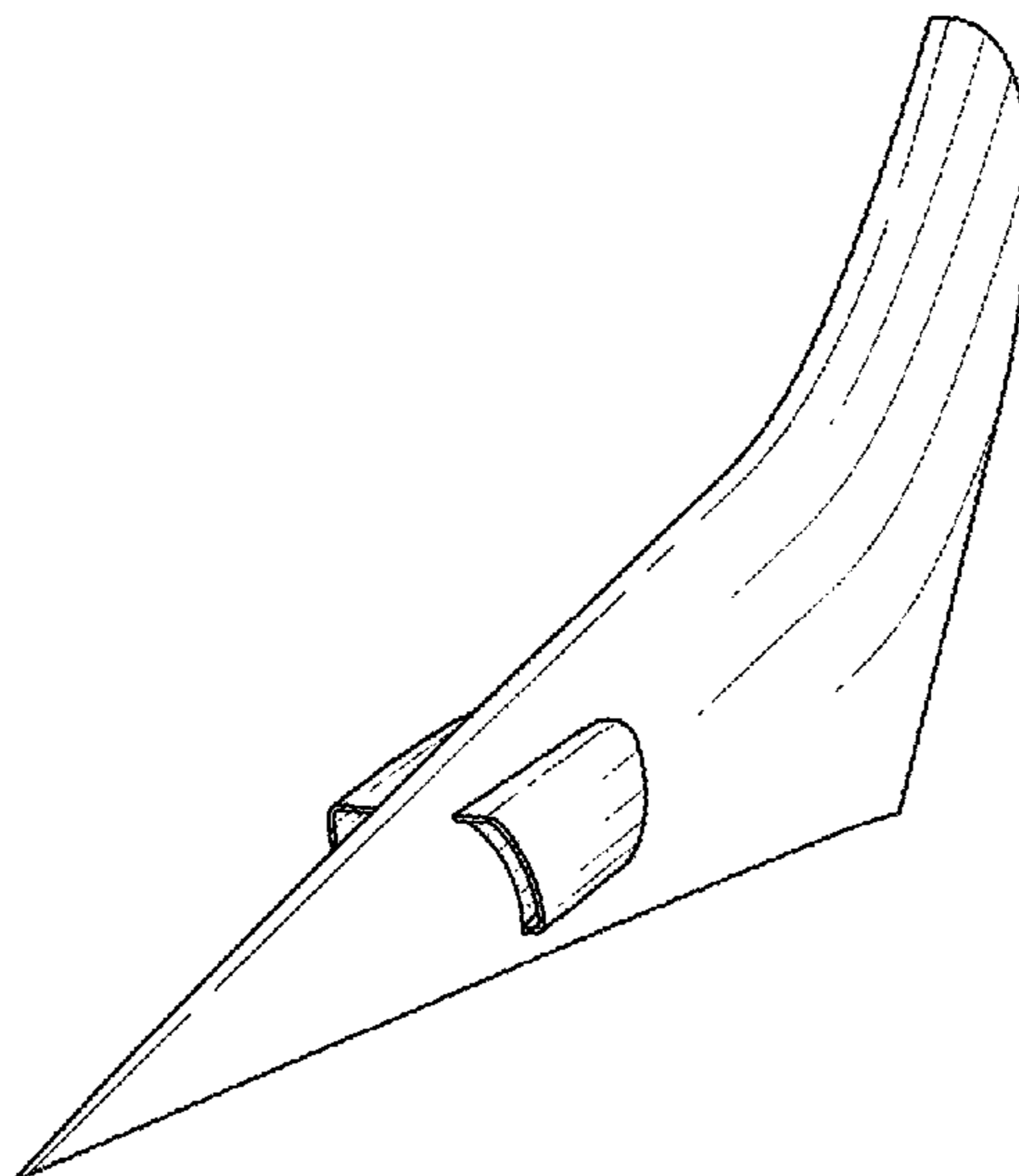
FIG. 7 is an exploded perspective view with portion shown removed from aircraft for clarity of disclosure thereof;

FIG. 8 is a second exploded perspective view with portion shown removed from aircraft for clarity of disclosure thereof; and,

FIG. 9 is a magnified top view thereof.

The short even length broken lines illustrate portions of an aircraft that form no part of the claimed design. The long even length broken line illustrates a portion to be magnified in a separate view. The single dash and single dot broken line represents a boundary of the claimed design but forms no part thereof.

1 Claim, 7 Drawing Sheets



(56)

References Cited

U.S. PATENT DOCUMENTS

D232,713	S	*	9/1974	Cook	D12/337
D589,867	S	*	4/2009	Chesne	D12/343
D624,484	S	*	9/2010	Saint-Jaimes	D12/345
D795,160	S	*	8/2017	Koppenwallner	D12/343
D809,993	S	*	2/2018	Tsukii	D12/343
D816,583	S	*	5/2018	Dutertre	D12/328
10,059,430	B2	*	8/2018	Lucas	B64C 7/00
D843,304	S	*	3/2019	MacAndrew	D12/319
10,399,662	B2	*	9/2019	Wang	B64C 1/40
D862,361	S	*	10/2019	Corning	D12/330

* cited by examiner

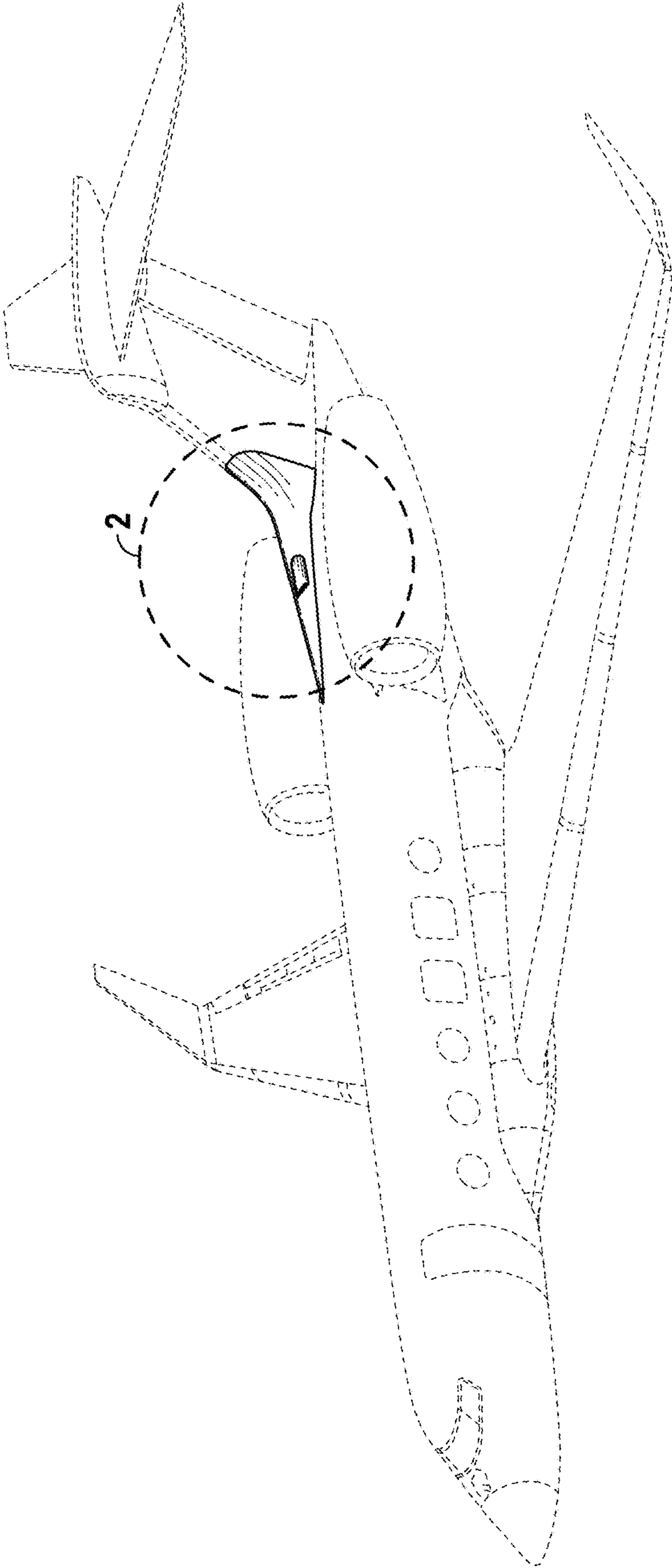


FIG. 1

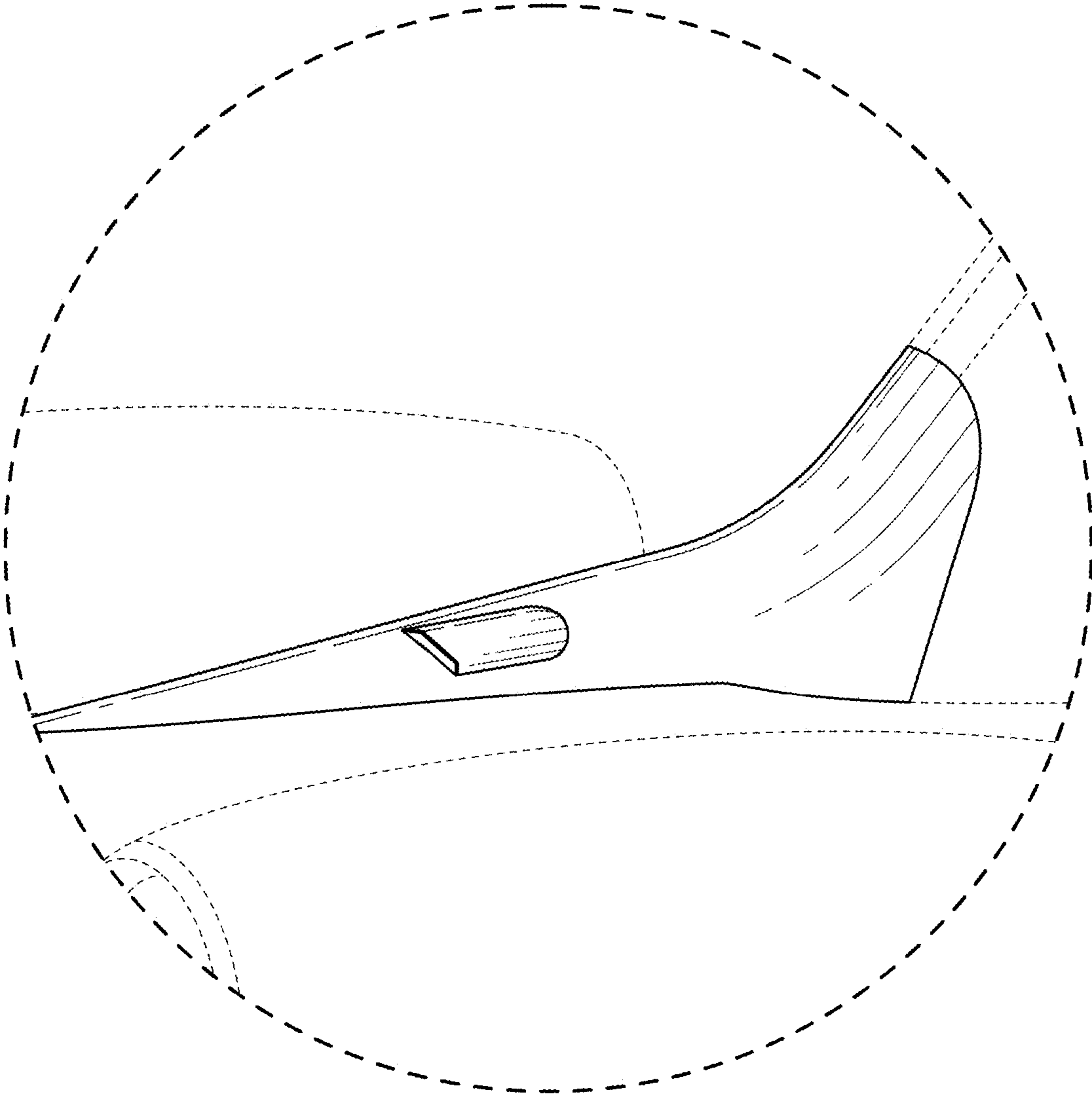


FIG. 2

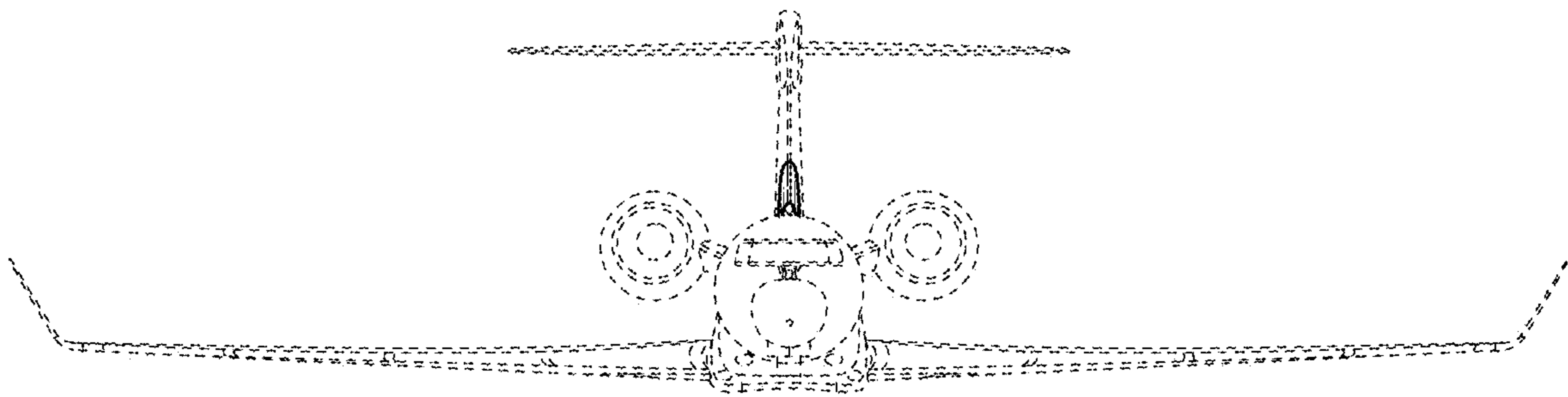


FIG. 3

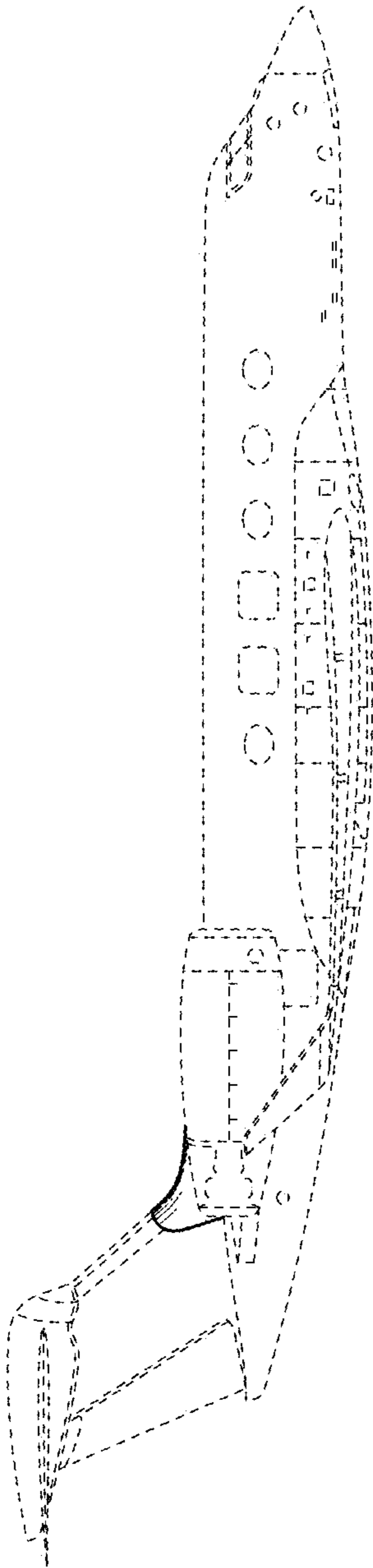


FIG. 4

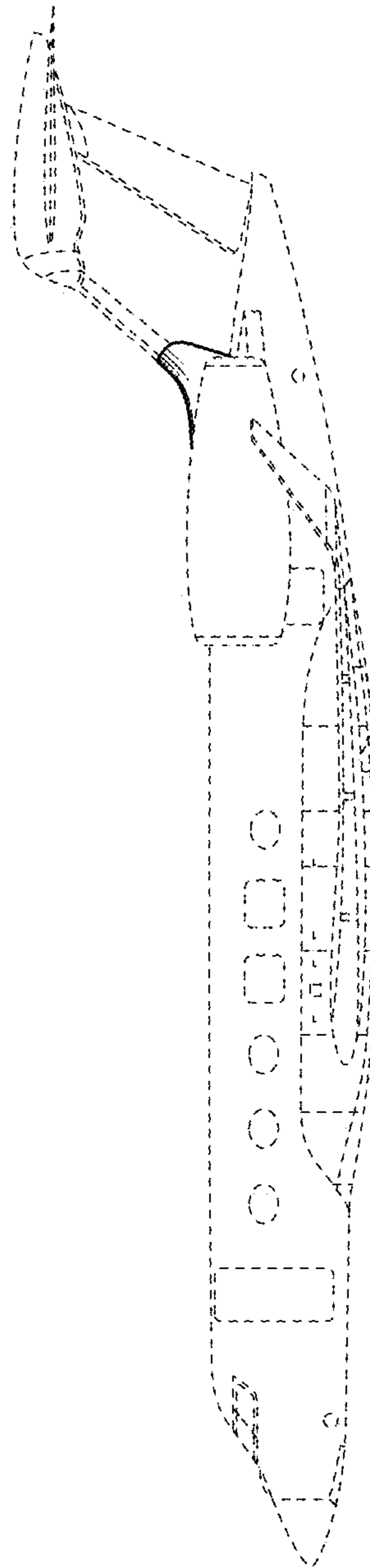


FIG. 5

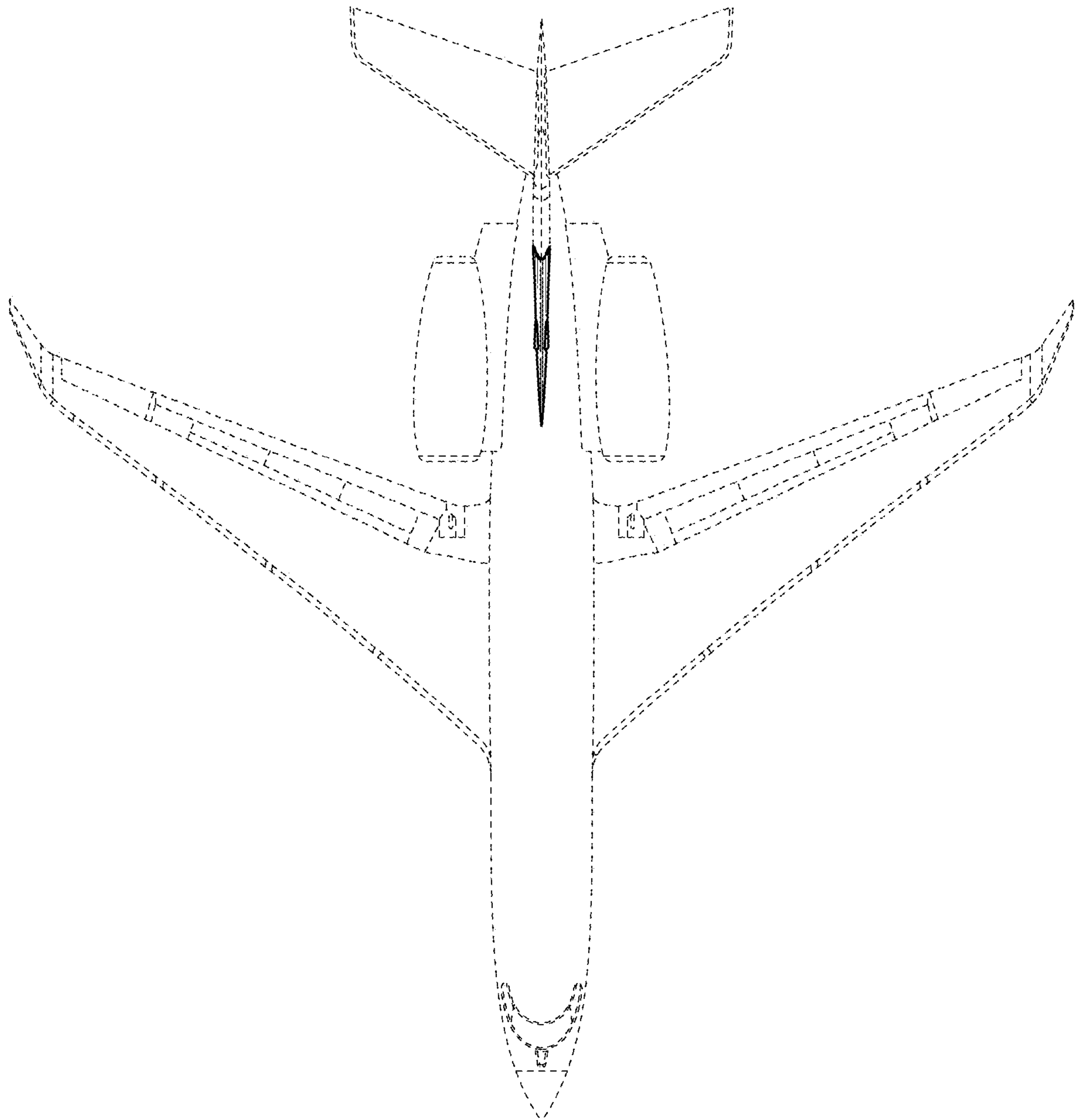


FIG. 6

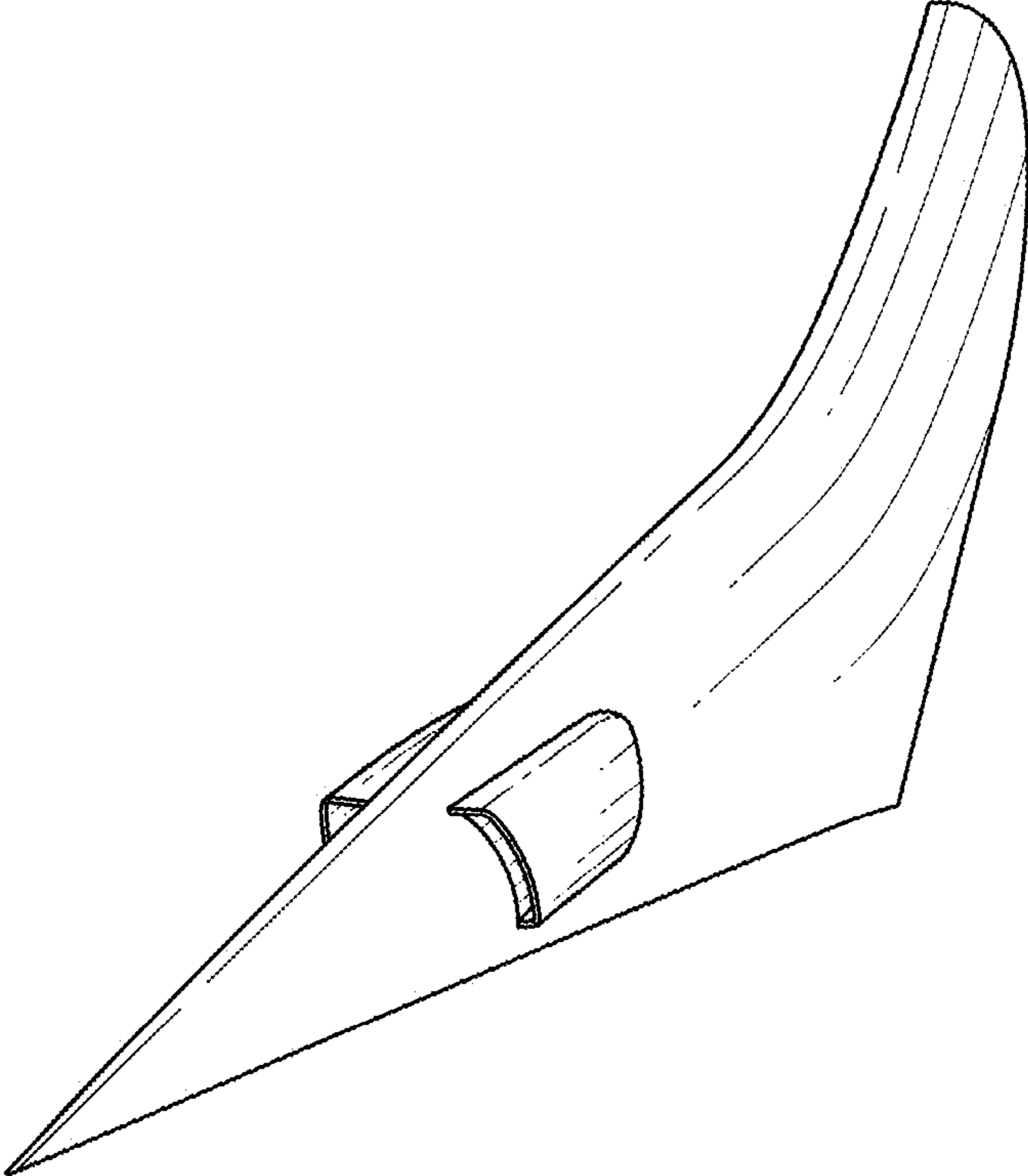


FIG. 7

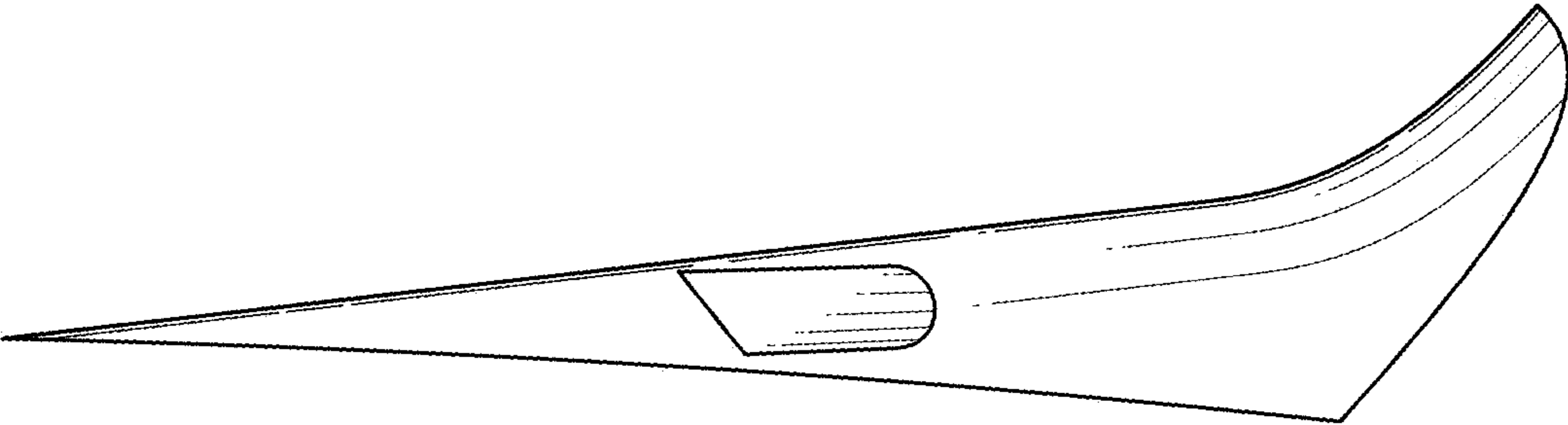


FIG. 8



FIG. 9