



US00D920884S

(12) **United States Design Patent**  
**Siya**

(10) **Patent No.:** **US D920,884 S**  
(45) **Date of Patent:** **\*\* Jun. 1, 2021**

(54) **CAR ROOF BRACKET**

(71) Applicant: **Chen Siya**, Shenzhen (CN)

(72) Inventor: **Chen Siya**, Shenzhen (CN)

(\*\*) Term: **15 Years**

(21) Appl. No.: **29/703,295**

(22) Filed: **Aug. 26, 2019**

(51) **LOC (13) Cl.** ..... **12-16**

(52) **U.S. Cl.**  
USPC ..... **D12/223**

(58) **Field of Classification Search**  
USPC ..... D12/114, 223, 400, 401, 403, 406, 407,  
D12/408, 412, 414, 115, 404, 409, 410,  
D12/413, 414.1; D8/349, 354; D21/561  
CPC .... B60R 9/00; B60R 9/02; B60R 9/04; B60R  
9/06; B60R 9/08; B60R 9/10; B60R  
9/045; B60R 9/048; B60R 9/055; B60R  
9/058; B62J 7/00; B62J 7/04; B60P 3/40;  
B62D 33/0207

See application file for complete search history.

(56) **References Cited**

**U.S. PATENT DOCUMENTS**

4,428,516	A *	1/1984	Allen	.....	B60R 9/06 224/309
4,830,250	A *	5/1989	Newbold	.....	B60R 9/06 224/314
5,135,145	A *	8/1992	Hannes	.....	B60R 9/06 224/314
5,259,542	A *	11/1993	Newbold	.....	B60R 9/06 224/324
5,363,996	A *	11/1994	Raaber	.....	B60R 9/06 224/314
5,645,202	A *	7/1997	Kaloustian	.....	B60R 9/10 224/314
7,900,801	B2 *	3/2011	Huang	.....	B60R 9/10 224/500
D719,901	S *	12/2014	Krusinski	.....	D12/408

D888,784	S *	6/2020	Premo	.....	D15/28
2005/0258209	A1 *	11/2005	Wang	.....	B60R 9/10 224/500
2006/0060623	A1 *	3/2006	Huang	.....	B60R 9/10 224/504
2007/0023367	A1 *	2/2007	Chung	.....	B60R 9/10 211/20
2012/0000951	A1 *	1/2012	Huang	.....	B60R 9/10 224/501
2013/0015220	A1 *	1/2013	Robins	.....	B60R 9/06 224/502
2014/0001218	A1 *	1/2014	Bogoslofski	.....	B60R 9/06 224/536

\* cited by examiner

*Primary Examiner* — Karen E Kearney

*Assistant Examiner* — Adam C Mager

(74) *Attorney, Agent, or Firm* — Law Offices of Steven W. Weinrieb

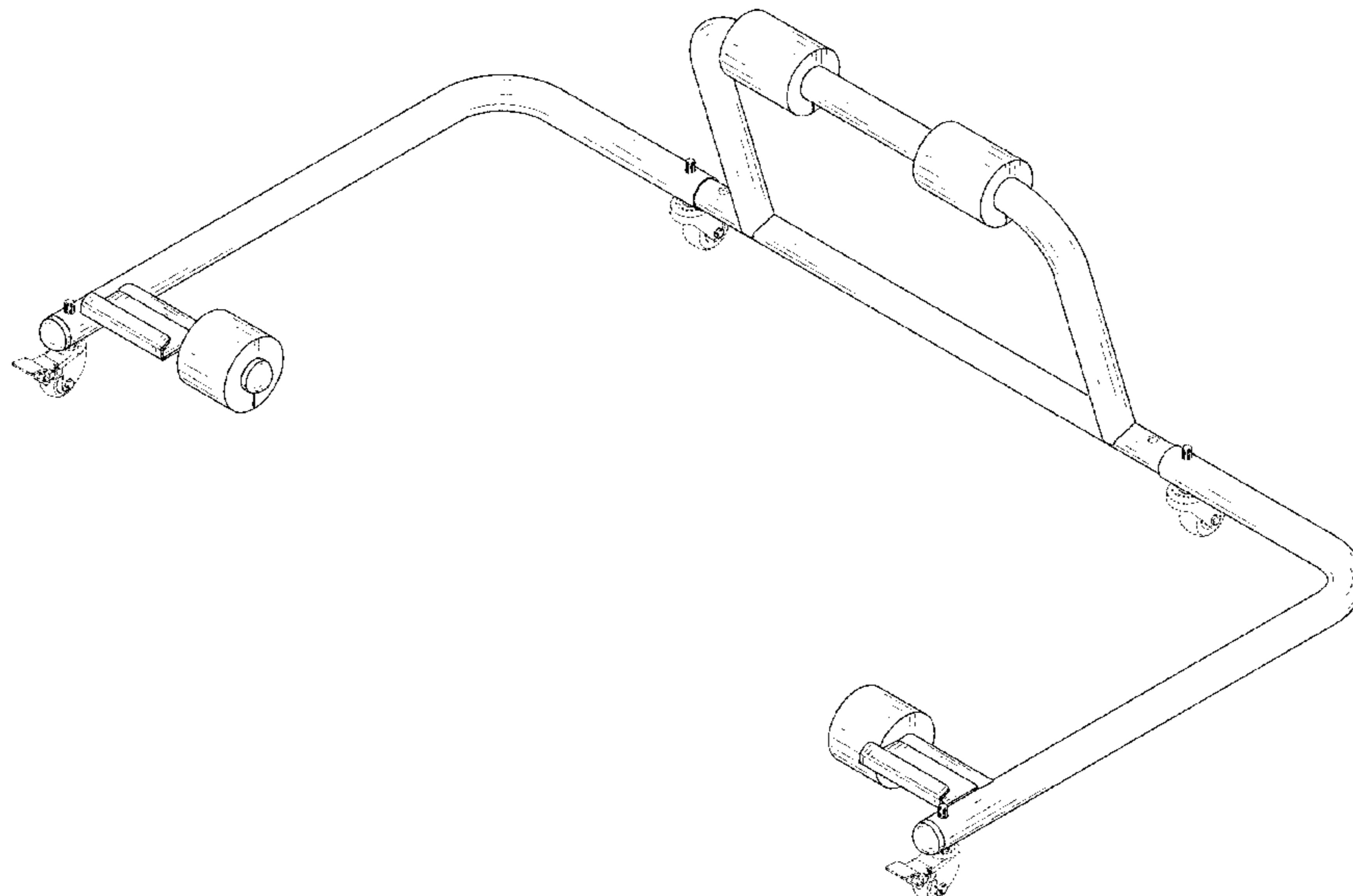
(57) **CLAIM**

The ornamental design for a car roof bracket, as shown and described.

**DESCRIPTION**

FIG. 1 is a front, right side, top perspective view of a car roof bracket showing my new design;  
FIG. 2 is a rear, left side, bottom perspective view thereof;  
FIG. 3 is a front elevational view thereof;  
FIG. 4 is a rear elevational view thereof;  
FIG. 5 is a left side elevational view thereof;  
FIG. 6 is a right side elevational view thereof;  
FIG. 7 is a top plan view thereof; and,  
FIG. 8 is a bottom plan view thereof.  
The broken line showing is for the purpose of illustrating portions of the car roof bracket and environmental structure that form no part of the claimed design.

**1 Claim, 8 Drawing Sheets**



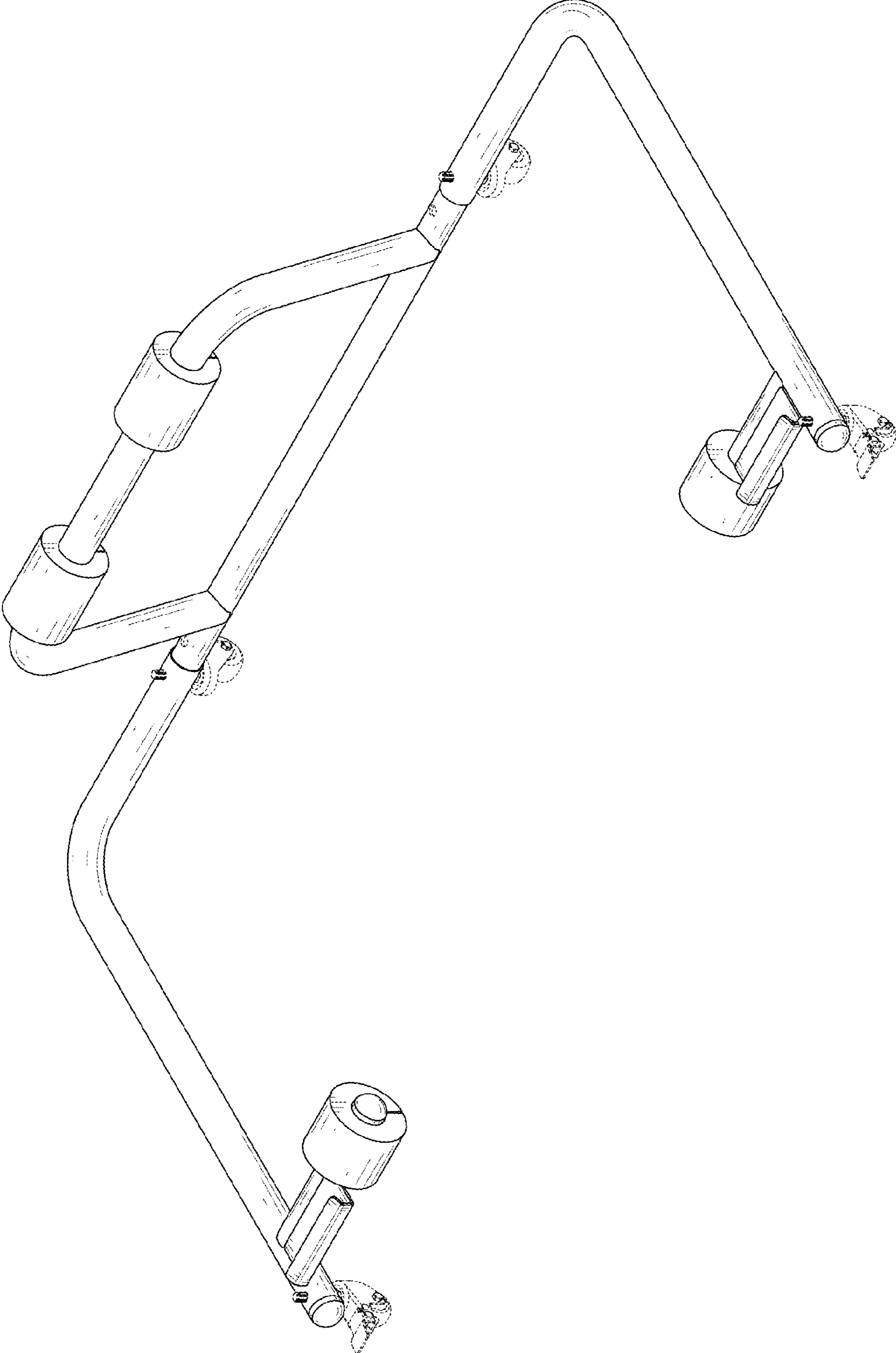


FIG. 1

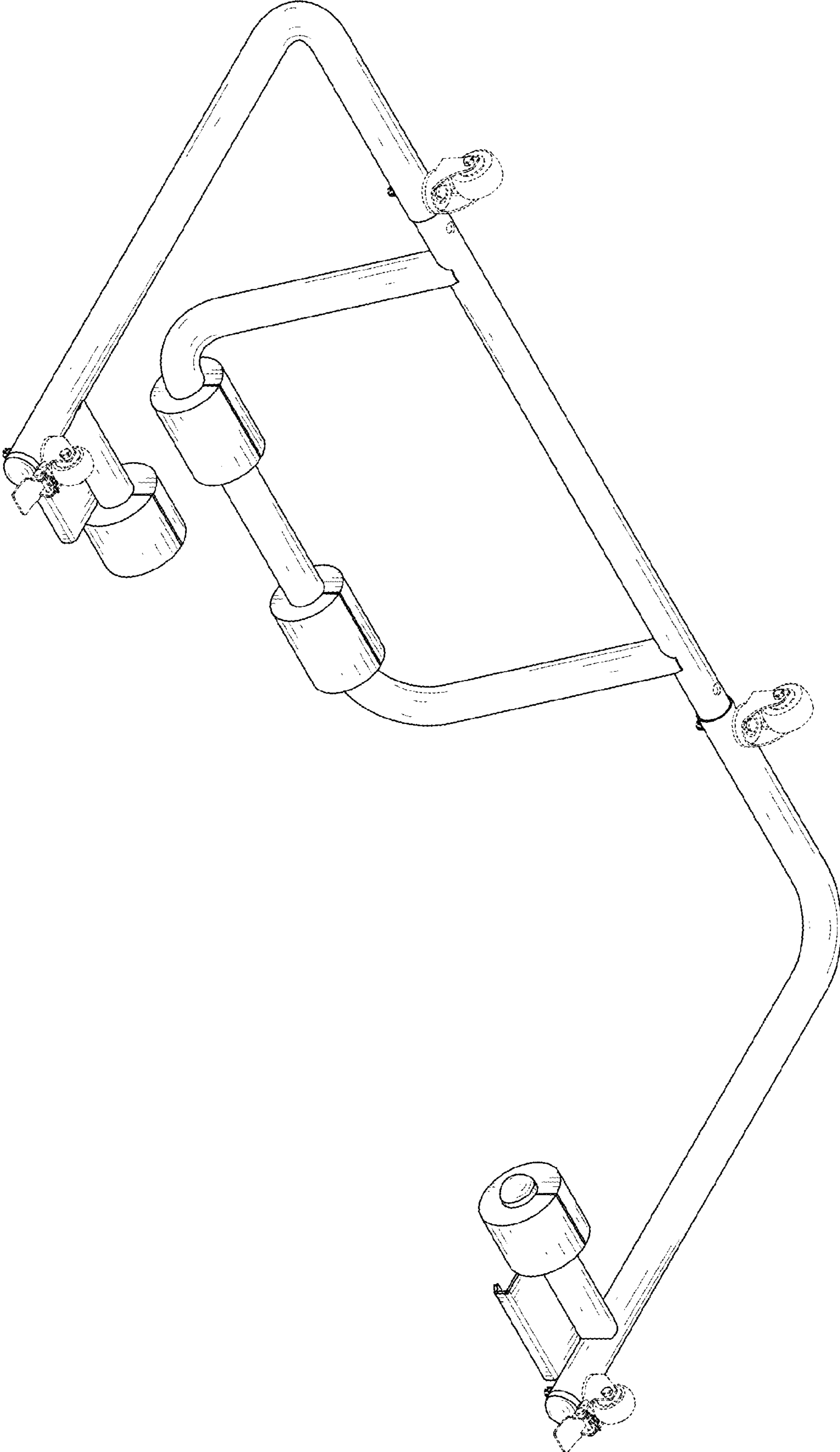


FIG. 2

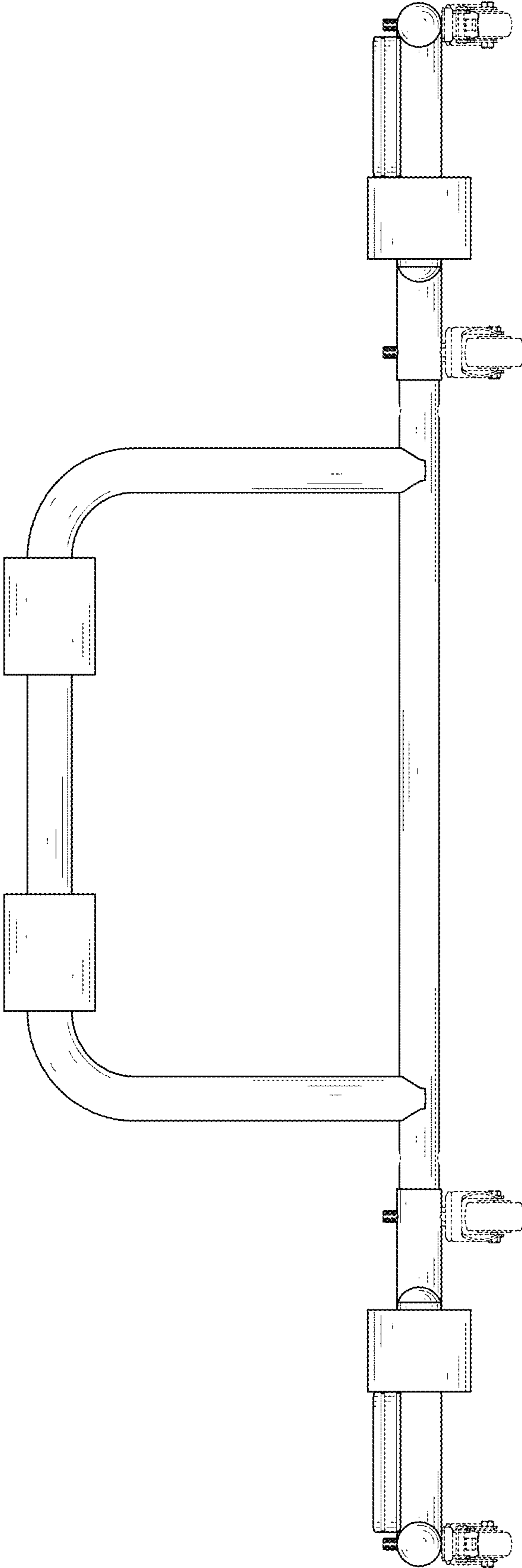


FIG. 3

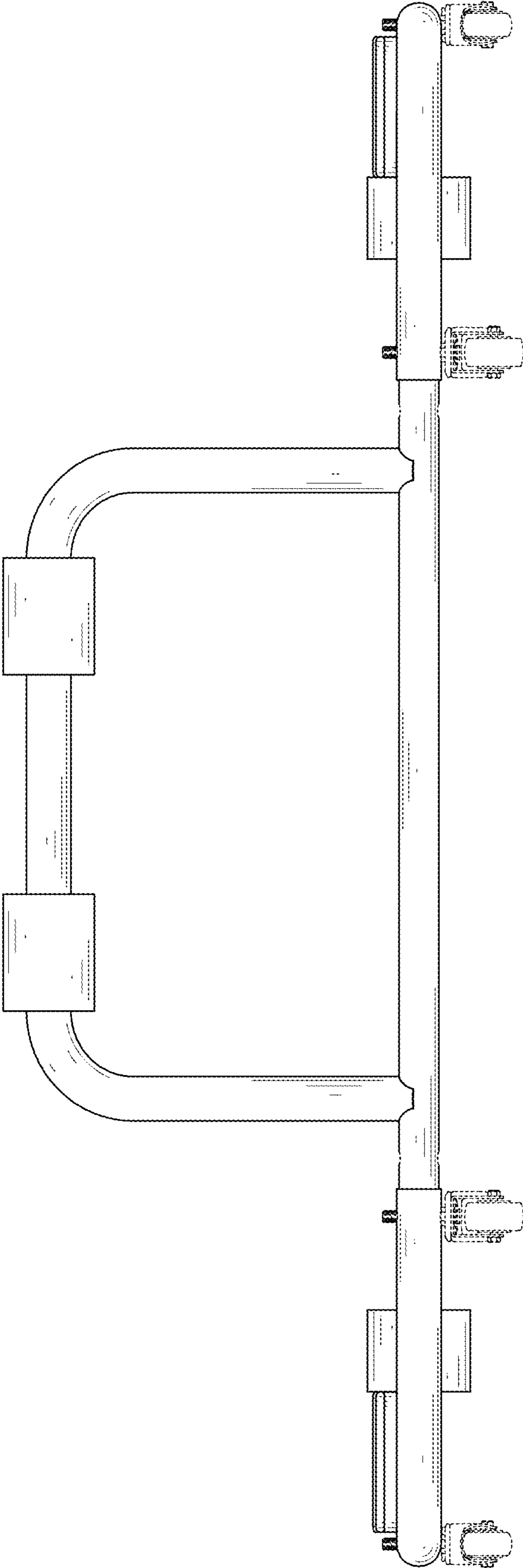


FIG. 4

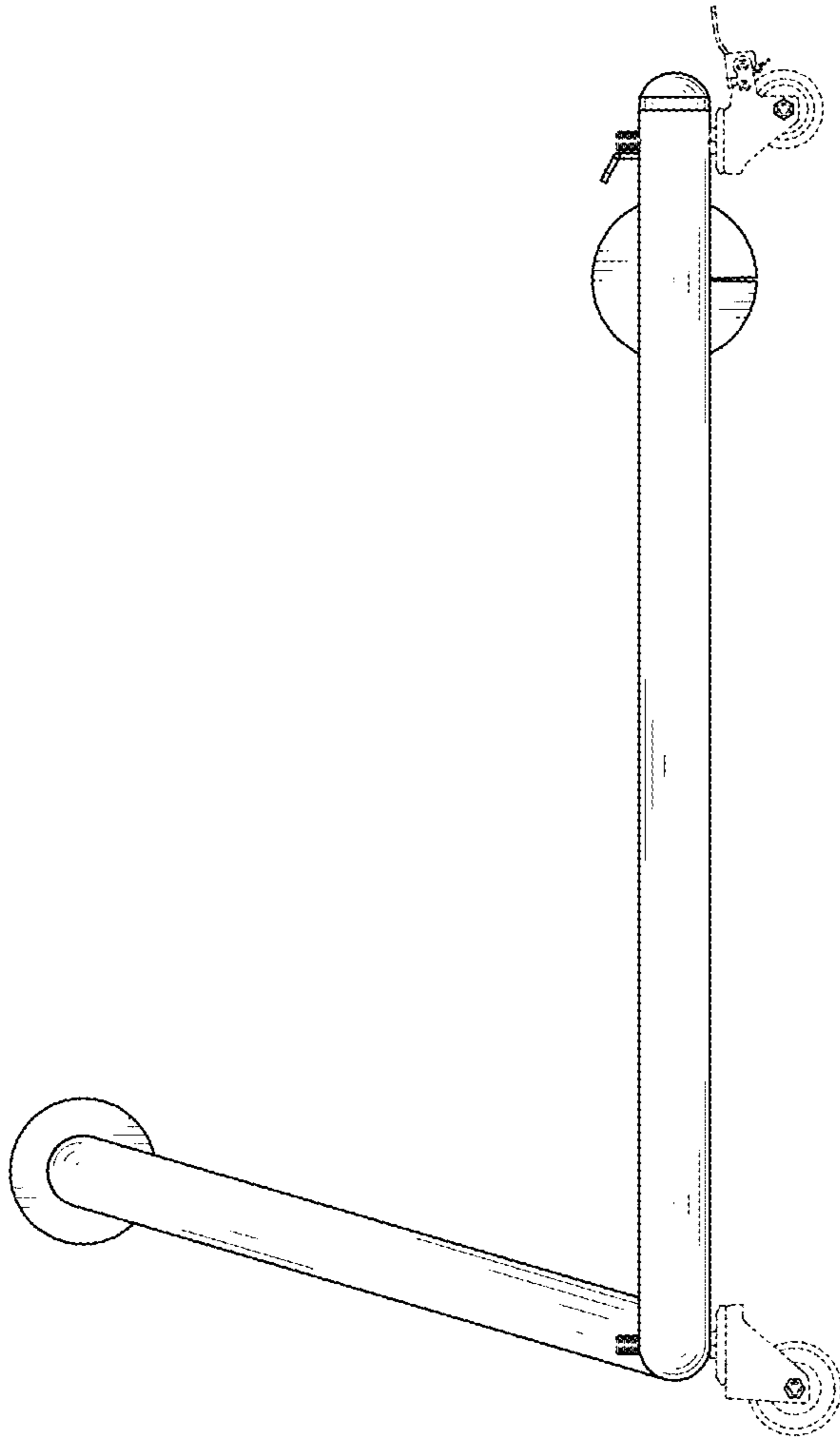


FIG. 5

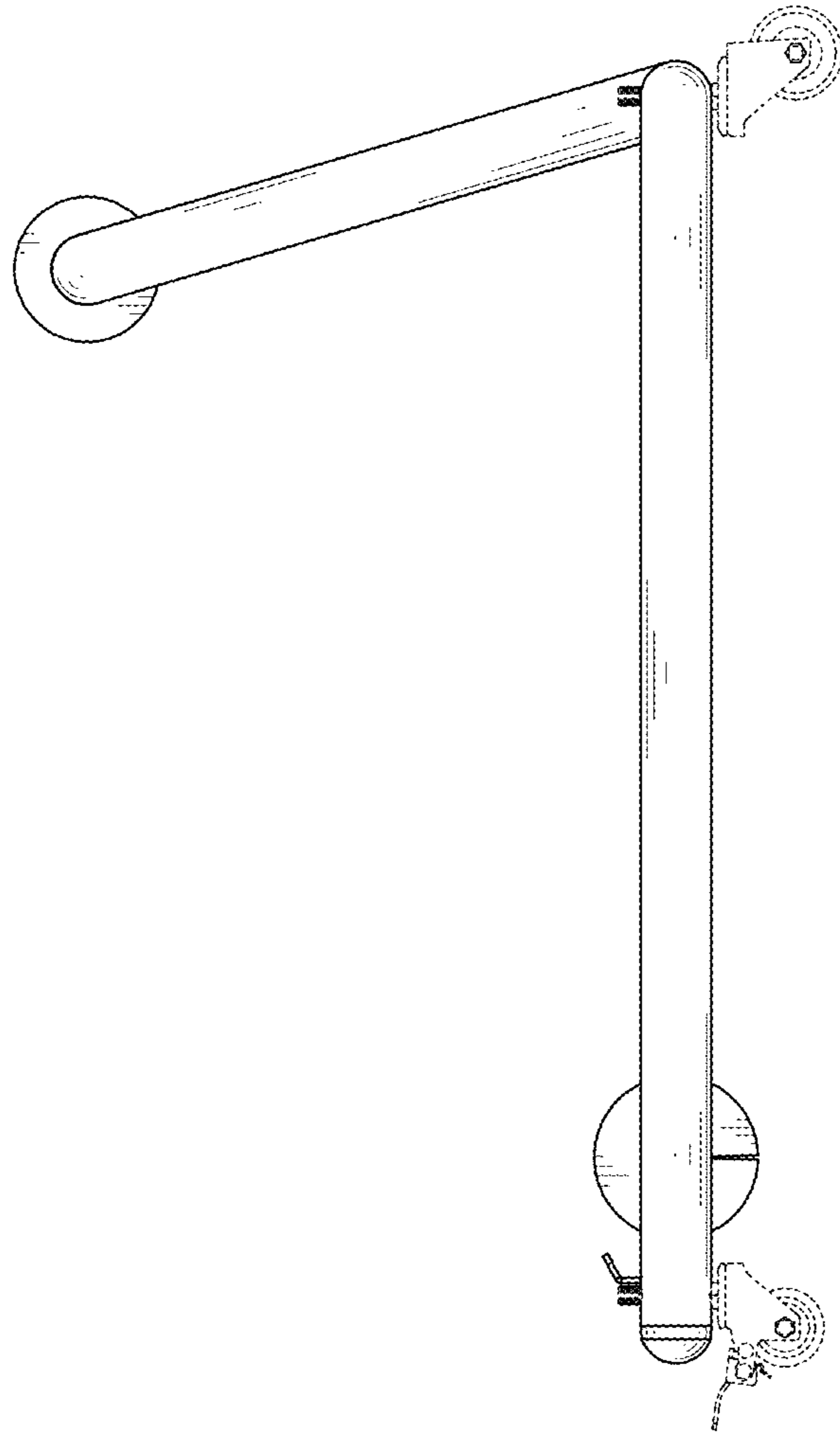


FIG. 6

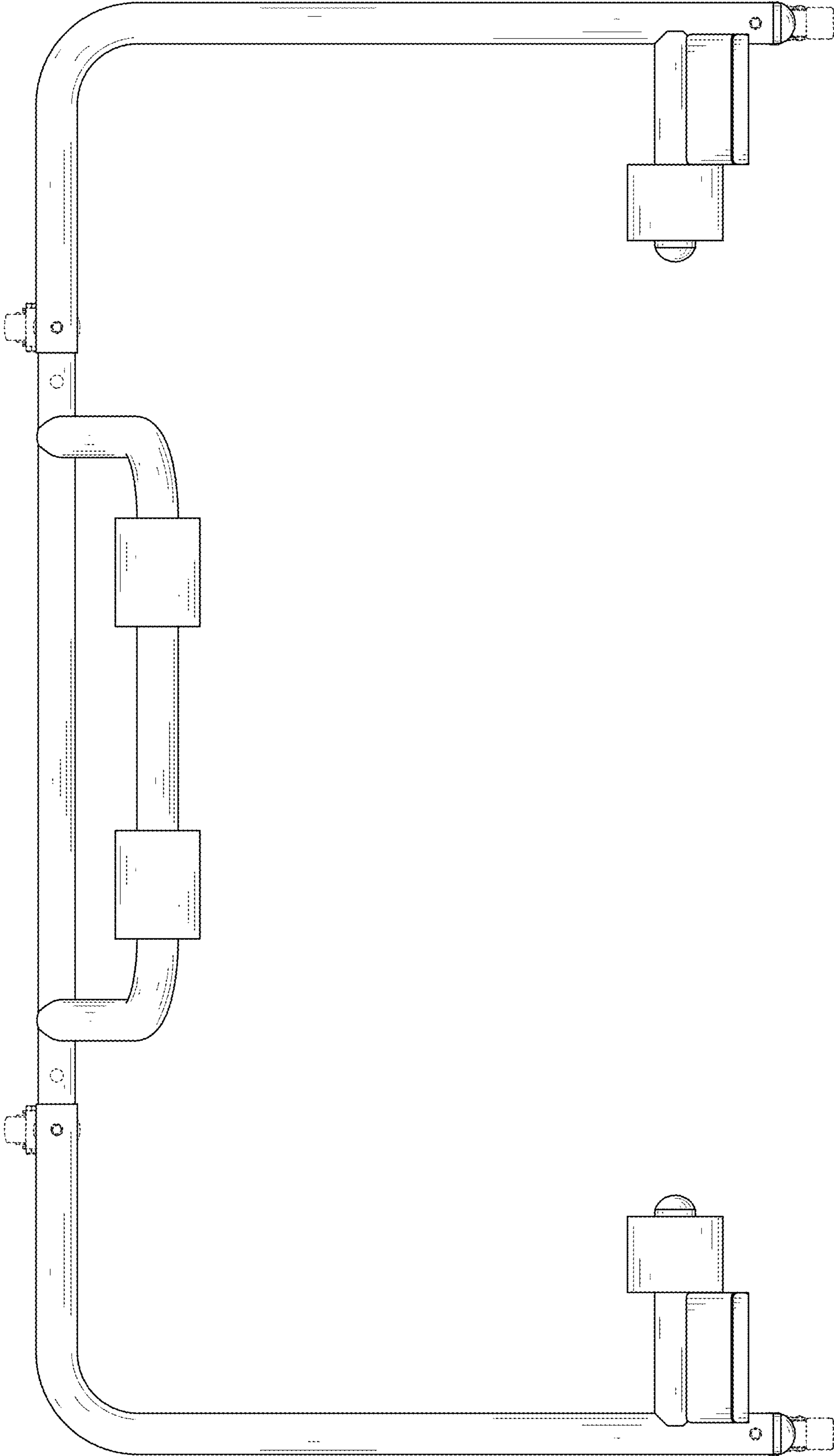


FIG. 7



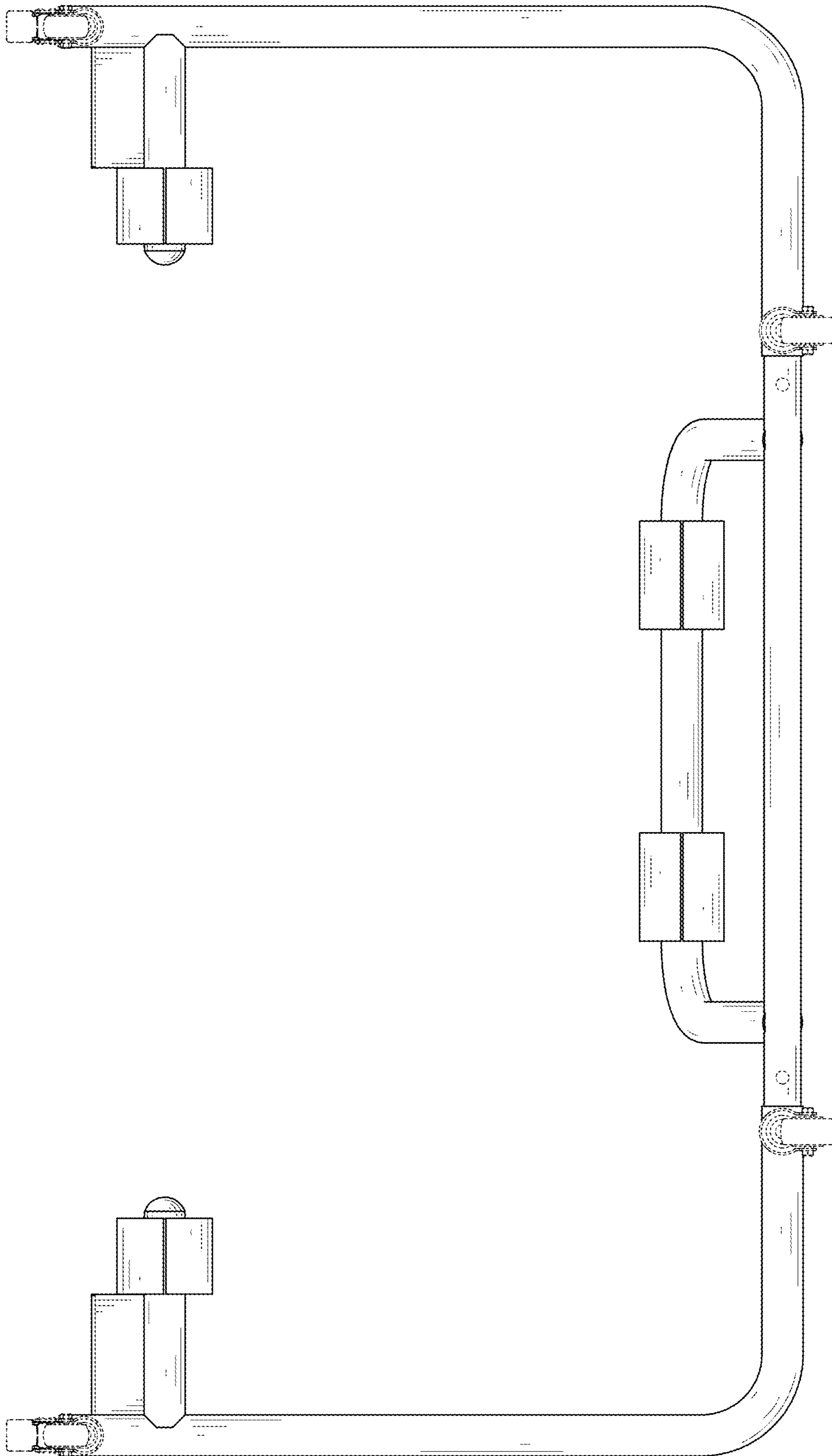


FIG. 8