



US00D920883S

(12) **United States Design Patent**
Yung

(10) **Patent No.:** **US D920,883 S**
(45) **Date of Patent:** **** Jun. 1, 2021**

(54) **AUTOMOBILE ROLL BAR**

- (71) Applicant: **Big Chun Yung**, Woodside, NY (US)
- (72) Inventor: **Big Chun Yung**, Woodside, NY (US)
- (**) Term: **15 Years**
- (21) Appl. No.: **29/694,918**
- (22) Filed: **Jun. 14, 2019**
- (51) **LOC (13) Cl.** **12-16**
- (52) **U.S. Cl.**
USPC **D12/222**
- (58) **Field of Classification Search**
USPC D12/222, 223, 86, 400, 401, 404, 406,
D12/412, 414, 93, 101; D6/552; D26/31
CPC . B60J 1/06; B60R 27/00; B60R 21/02; B62D
33/02; B60Q 1/0483
See application file for complete search history.

(56) **References Cited**

U.S. PATENT DOCUMENTS

| | | | | | |
|-----------|-----|---------|-----------|-------|------------------------|
| 3,622,177 | A * | 11/1971 | Notestine | | B60R 21/13 280/756 |
| D245,496 | S * | 8/1977 | Wheeler | | D12/222 |
| 4,148,504 | A * | 4/1979 | Rushing | | B60R 21/13 182/153 |
| D252,462 | S * | 7/1979 | White | | D12/222 |
| D253,170 | S * | 10/1979 | Ramirez | | D12/412 |
| D257,673 | S * | 12/1980 | Milton | | D12/222 |
| 4,795,188 | A * | 1/1989 | Dueker | | B60R 21/13 280/756 |
| D305,111 | S * | 12/1989 | Zagner | | D12/412 |
| D312,989 | S * | 12/1990 | Murata | | D12/87 |
| 5,000,480 | A * | 3/1991 | Straka | | B60Q 1/2611 280/756 |
| D318,447 | S * | 7/1991 | Haugen | | D12/412 |
| D399,476 | S * | 10/1998 | Duncan | | D12/222 |
| D434,364 | S * | 11/2000 | Bauer | | D12/412 |
| D481,003 | S * | 10/2003 | Bauer | | D12/412 |
| D528,968 | S * | 9/2006 | Storer | | D12/222 |
| D654,844 | S * | 2/2012 | Pinto | | D12/222 |

(Continued)

OTHER PUBLICATIONS

Vanguard VGRB-1895BK Multi-fit Bravo Roll Bar BlackTruck Bed Bar, Amazon.com, Date First Available: May 29, 2018, [online], [site visited Jun. 6, 2020]. <URL: <https://www.amazon.com/VANGUARD-Off-Road-VGRB-1895BK-Multi-fit/dp/B07DCYG15L>> (Year: 2018).*

(Continued)

Primary Examiner — T Chase Nelson
Assistant Examiner — Jonathan J. Han

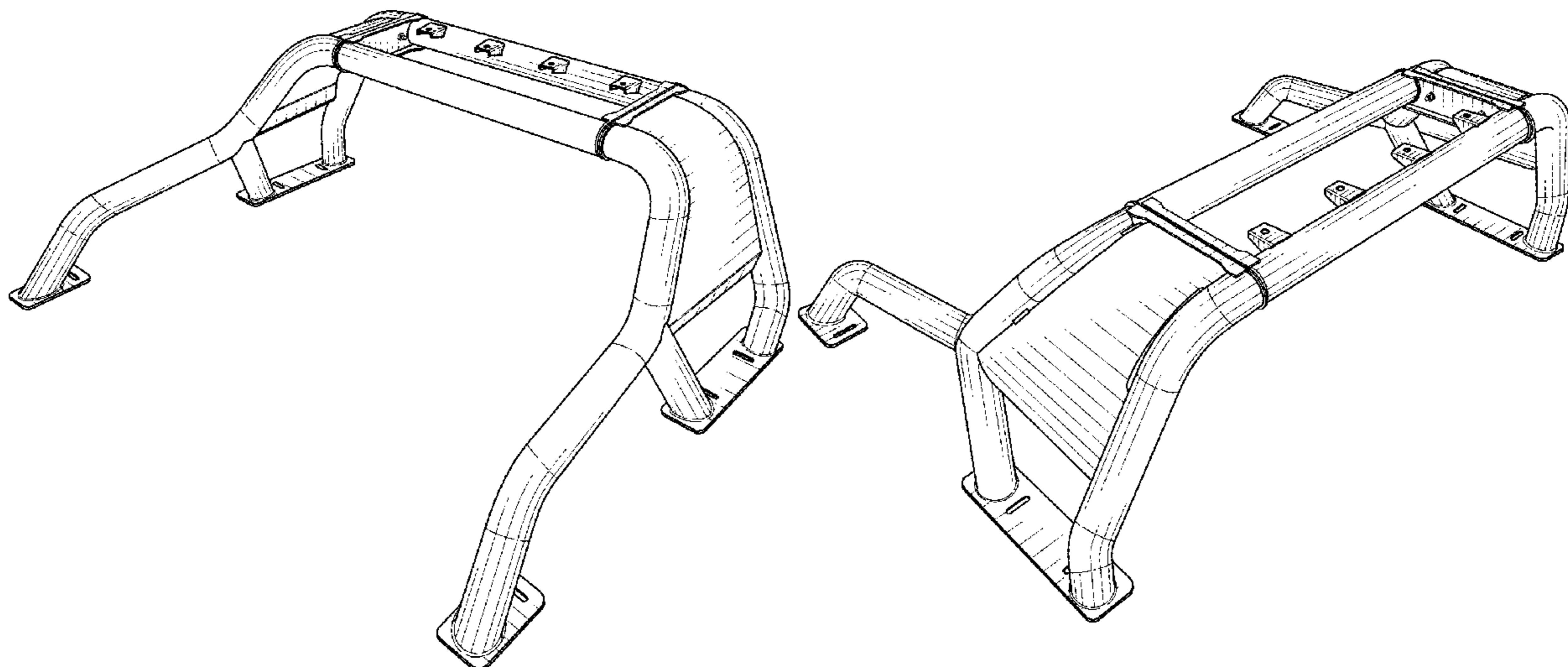
(57) **CLAIM**

The ornamental design for an automobile roll bar, as shown and described.

DESCRIPTION

FIG. 1 is a top view of the automobile roll bar;
 FIG. 2 is a top front perspective view thereof;
 FIG. 3 is a front view thereof;
 FIG. 4 is a front bottom perspective view thereof;
 FIG. 5 is a bottom view thereof;
 FIG. 6 is a back bottom perspective view thereof;
 FIG. 7 is a back view thereof;
 FIG. 8 is a back top perspective view thereof;
 FIG. 9 is a left view thereof;
 FIG. 10 is a right view thereof;
 FIG. 11 is a top back right perspective view thereof, with the top back left perspective view being a mirror image;
 FIG. 12 is a top front right perspective view thereof, with the top front left perspective view being a mirror image;
 FIG. 13 is a bottom back right perspective view thereof, with the bottom back left perspective view being a mirror image;
 and,
 FIG. 14 is a bottom front right perspective view thereof, with the bottom front left perspective view being a mirror image.

1 Claim, 7 Drawing Sheets



(56)

References Cited

U.S. PATENT DOCUMENTS

D655,236 S * 3/2012 Sanschagrín D12/222
 D681,542 S * 5/2013 Oliver D12/222
 D717,230 S * 11/2014 Fichter D12/414
 8,915,520 B2 * 12/2014 Mantovani B60R 13/04
 280/756
 D761,713 S * 7/2016 Hensley D12/222
 D784,899 S * 4/2017 McConnell D12/222
 D810,148 S * 2/2018 Loew D15/28
 D811,306 S * 2/2018 Schlup, Jr. D12/222
 D811,986 S * 3/2018 Torres D12/412
 D813,145 S * 3/2018 Brown D12/414
 D826,831 S * 8/2018 Eck D12/222
 10,046,721 B2 * 8/2018 Wymore B60R 13/04
 D841,558 S * 2/2019 Mosingo D12/222
 D845,869 S * 4/2019 Wymore D12/222
 D861,575 S * 10/2019 Tang D12/406
 D869,370 S * 12/2019 Mikhailov D12/222
 D881,785 S * 4/2020 Ajam D12/222
 D881,786 S * 4/2020 Ajam D12/222
 D883,176 S * 5/2020 Ajam D12/222

2007/0176447 A1* 8/2007 Storer B60R 13/005
 296/3
 2014/0125044 A1* 5/2014 Mantovani B60R 21/13
 280/756
 2018/0072244 A1* 3/2018 Wymore B60R 21/13

OTHER PUBLICATIONS

Black Horse RB001BK Black Classic Roll Bar, Amazon.com, Date First Available: Jul. 15, 2016, [online], [site visited Jun. 6, 2020]. <URL: <https://www.amazon.com/Black-Horse-RB001BK-Classic-Roll/dp/B01IIBKGCO>> (Year: 2016).*

Go Rhino! 911003PS Polished Full Size Stainless Steel Sport Bar, 1 Pack, Amazon.com, Date First Available: May 25, 2018, [online], [site visited Jun. 6, 2020]. <URL: https://www.amazon.com/Go-Rhino-911003PS-deportiva-inoxidable/dp/B07D9Z93RM/ref=pd_sbs_263_1/144-6565375-4474853?_encoding=UTF8> (Year: 2018).*

Vanguard VGRB-1895BK Black Powdercoat Bravo Bed Bar, VanguardOffRoad.com, [online], [site visited Jun. 6, 2020]. <URL: <https://www.vanguardoffroad.com/other-accessories/bed-bar/roll-bar-bravo.html>> (Year: 2020).*

* cited by examiner

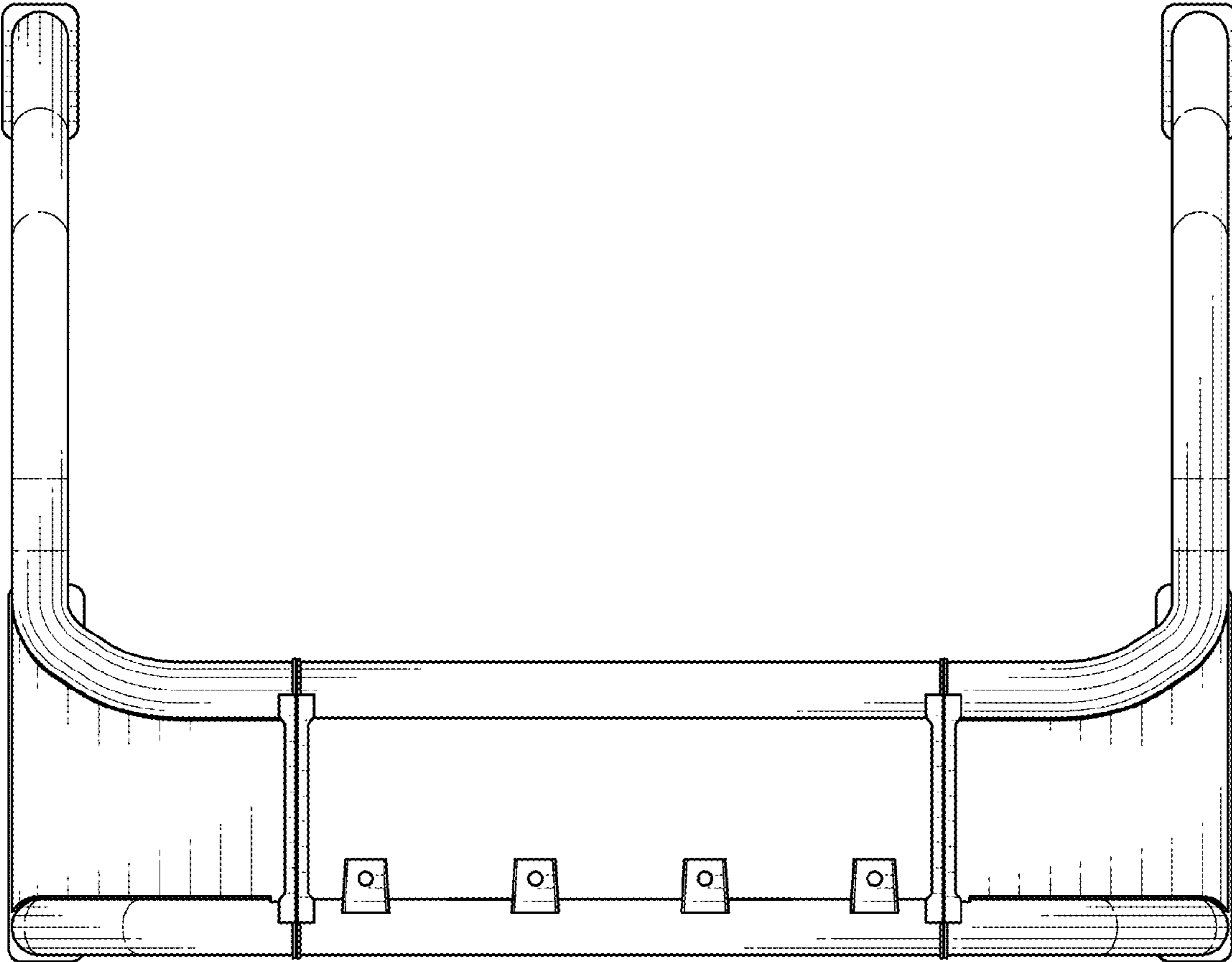


FIG. 1

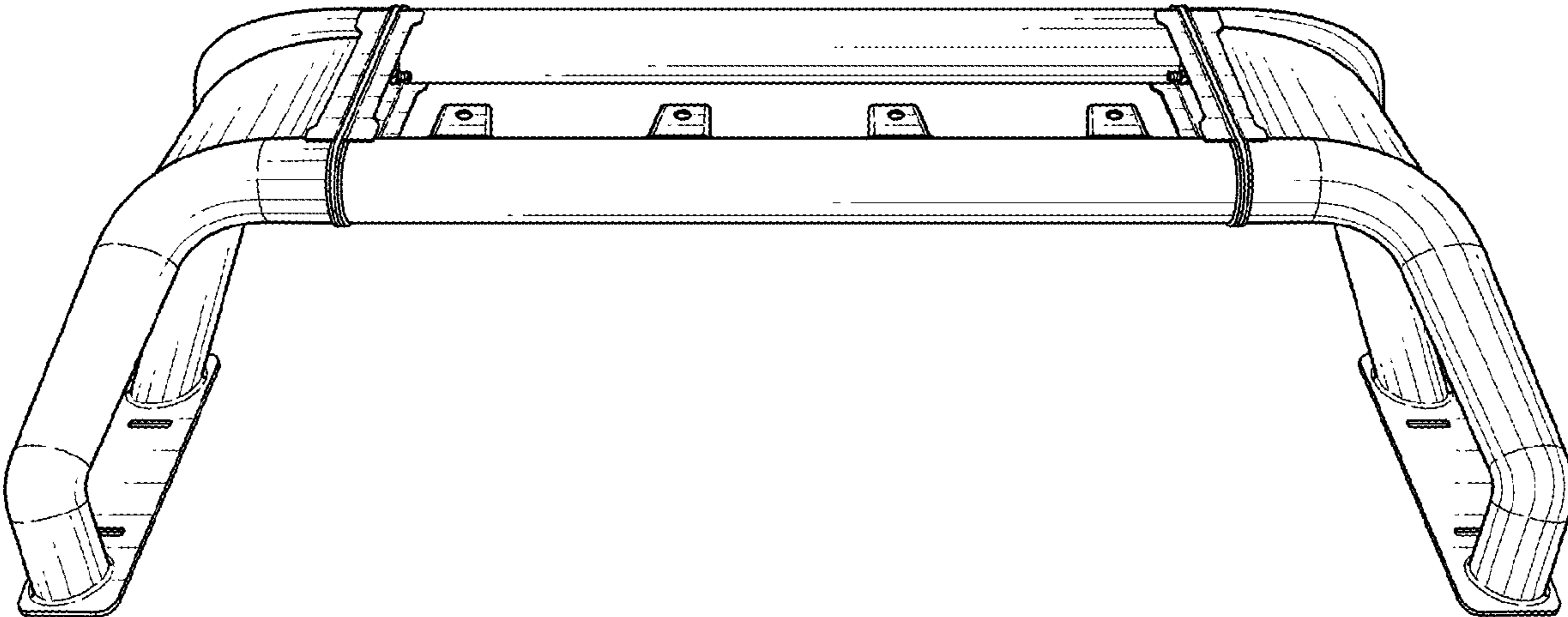


FIG. 2

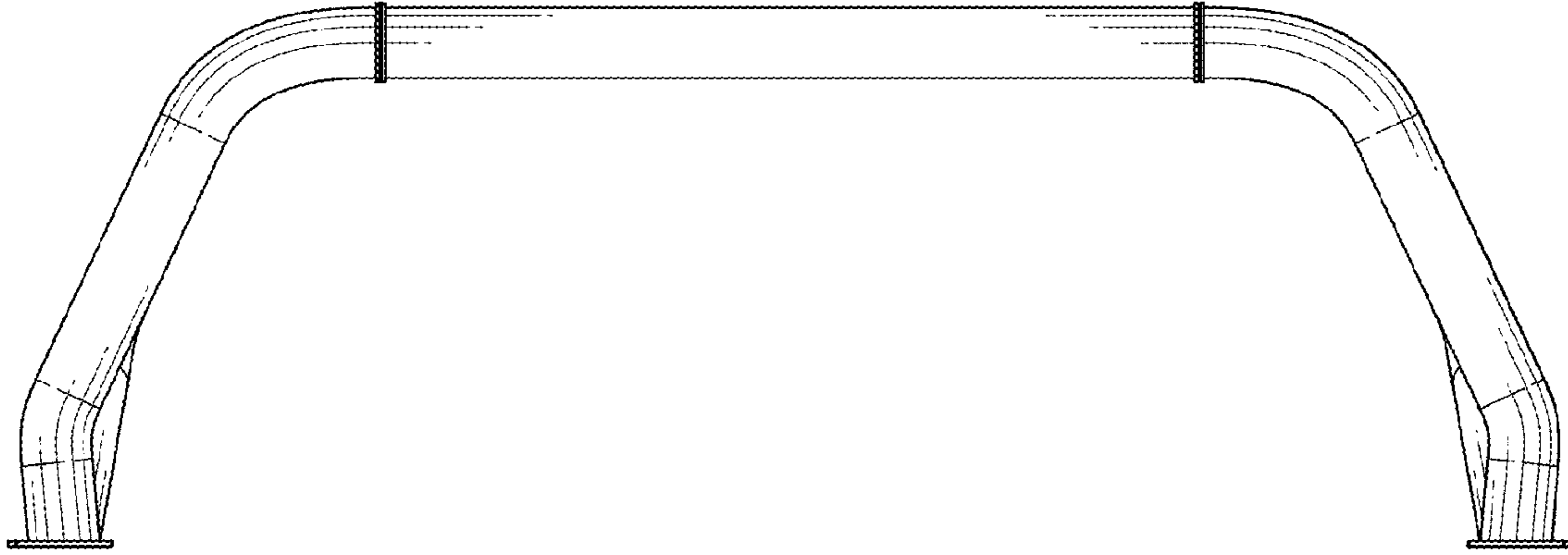


FIG. 3

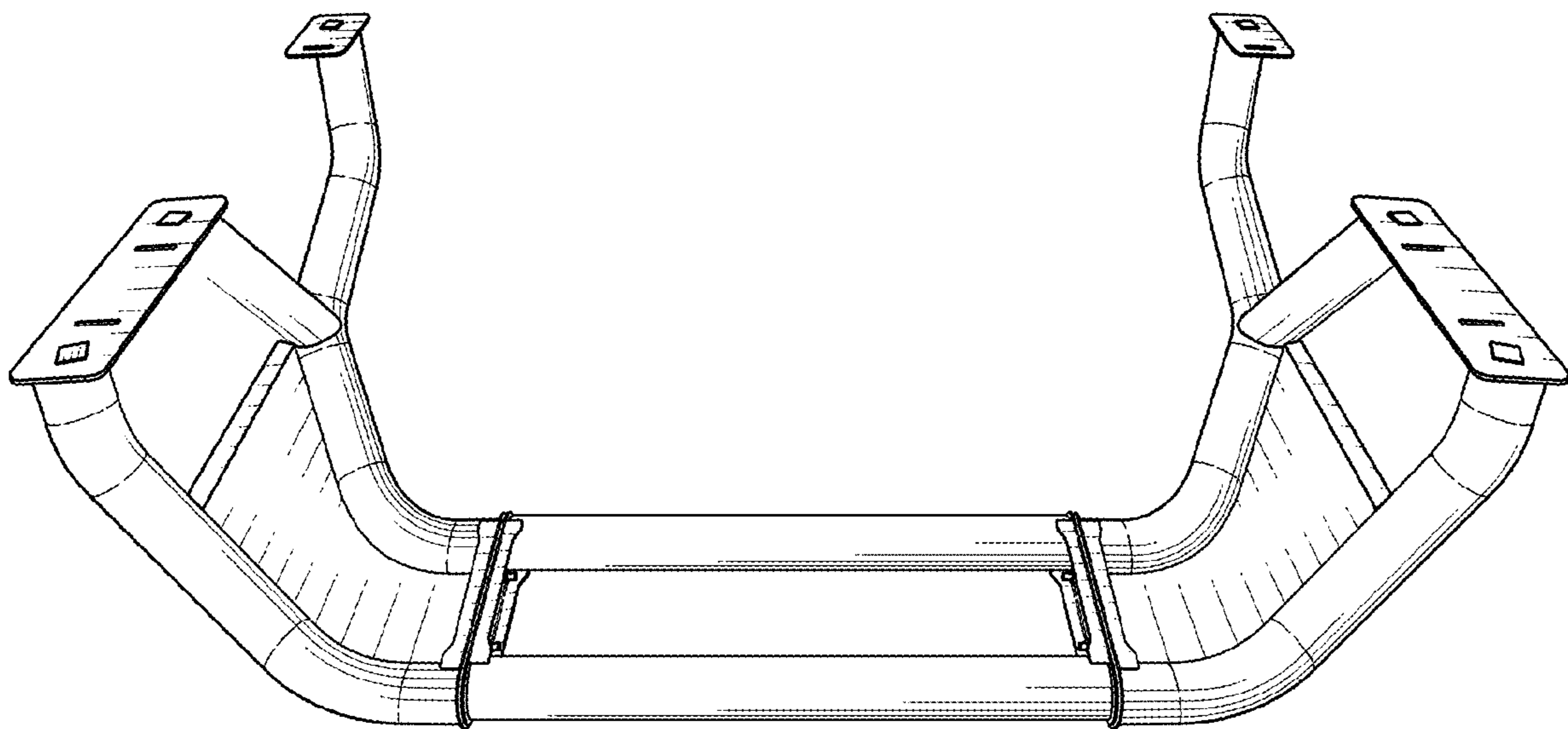


FIG. 4

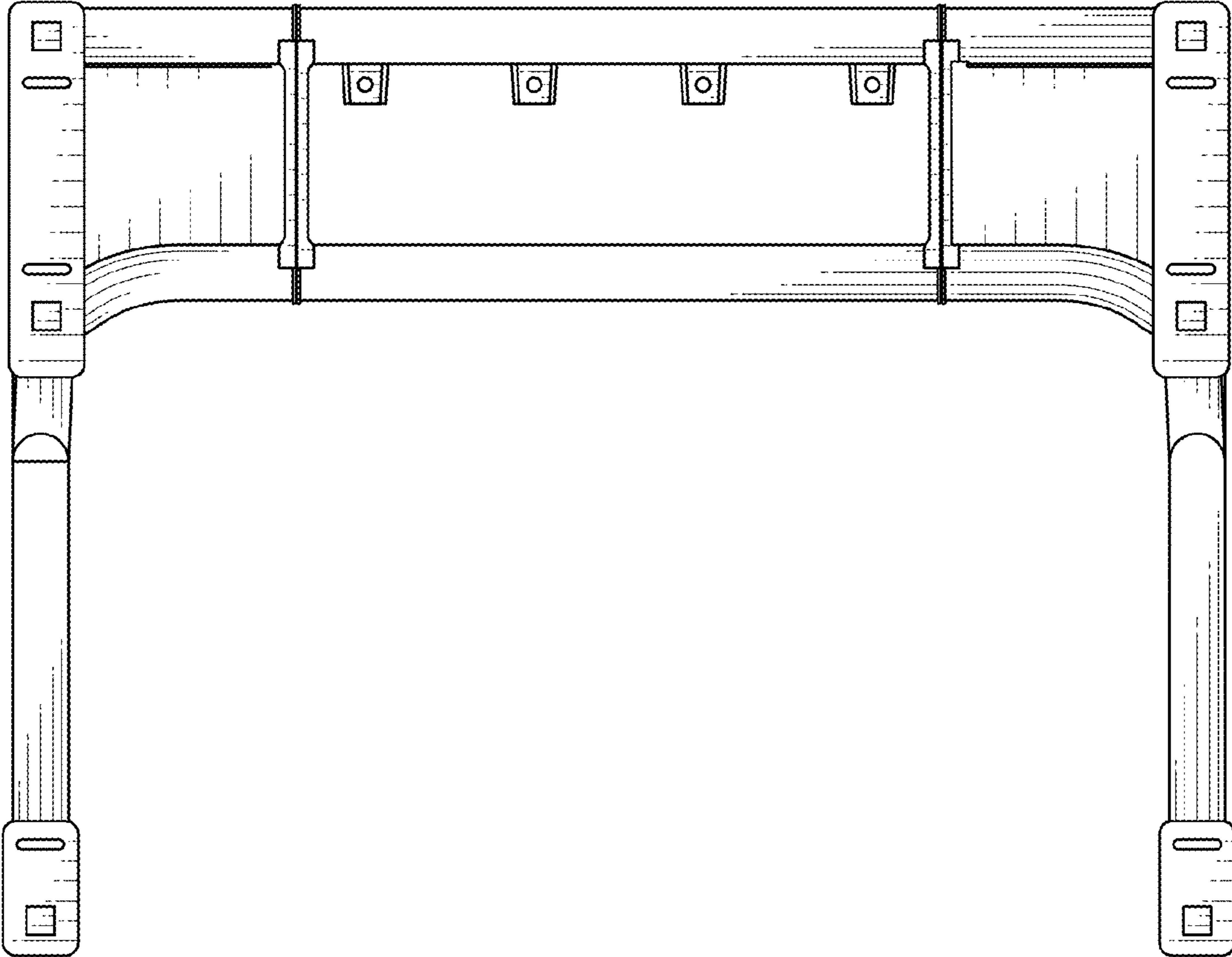


FIG. 5

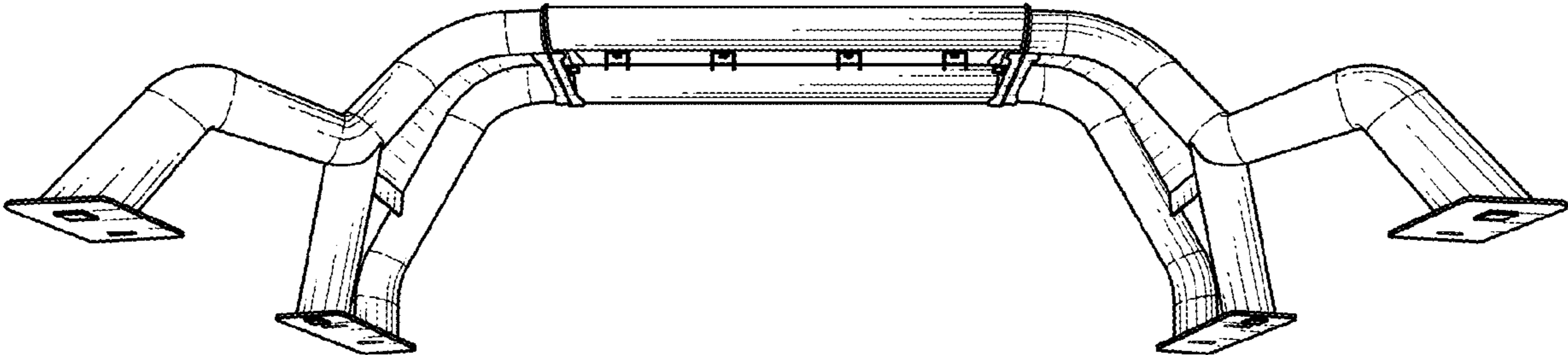


FIG. 6

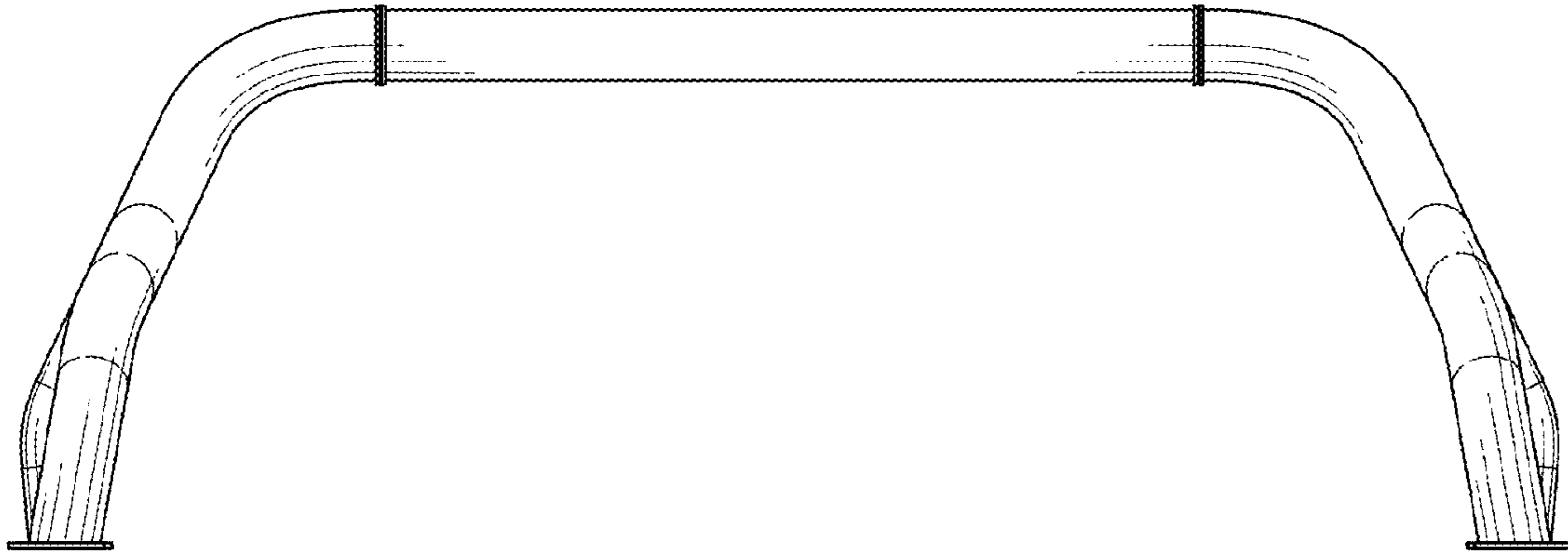


FIG. 7

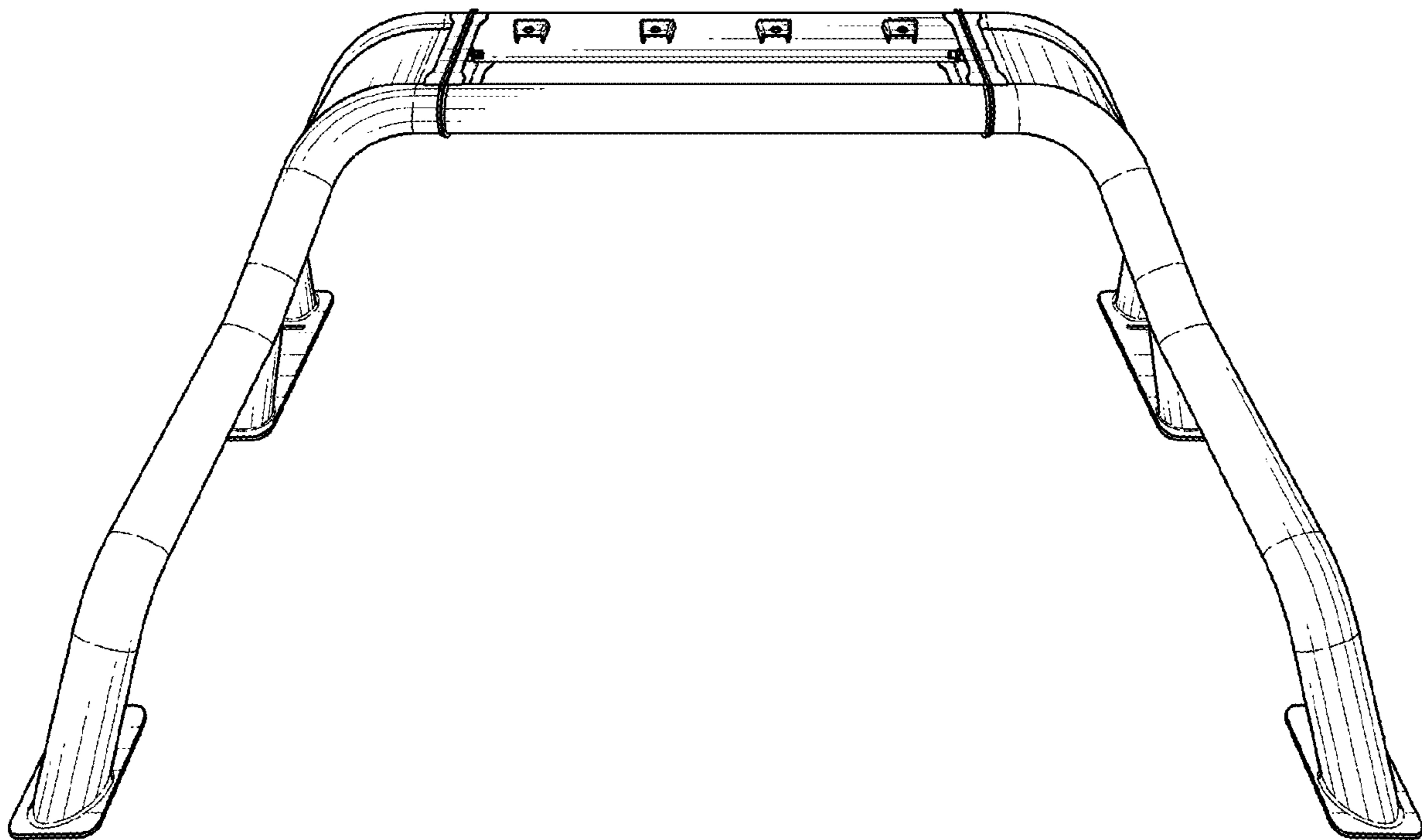


FIG. 8

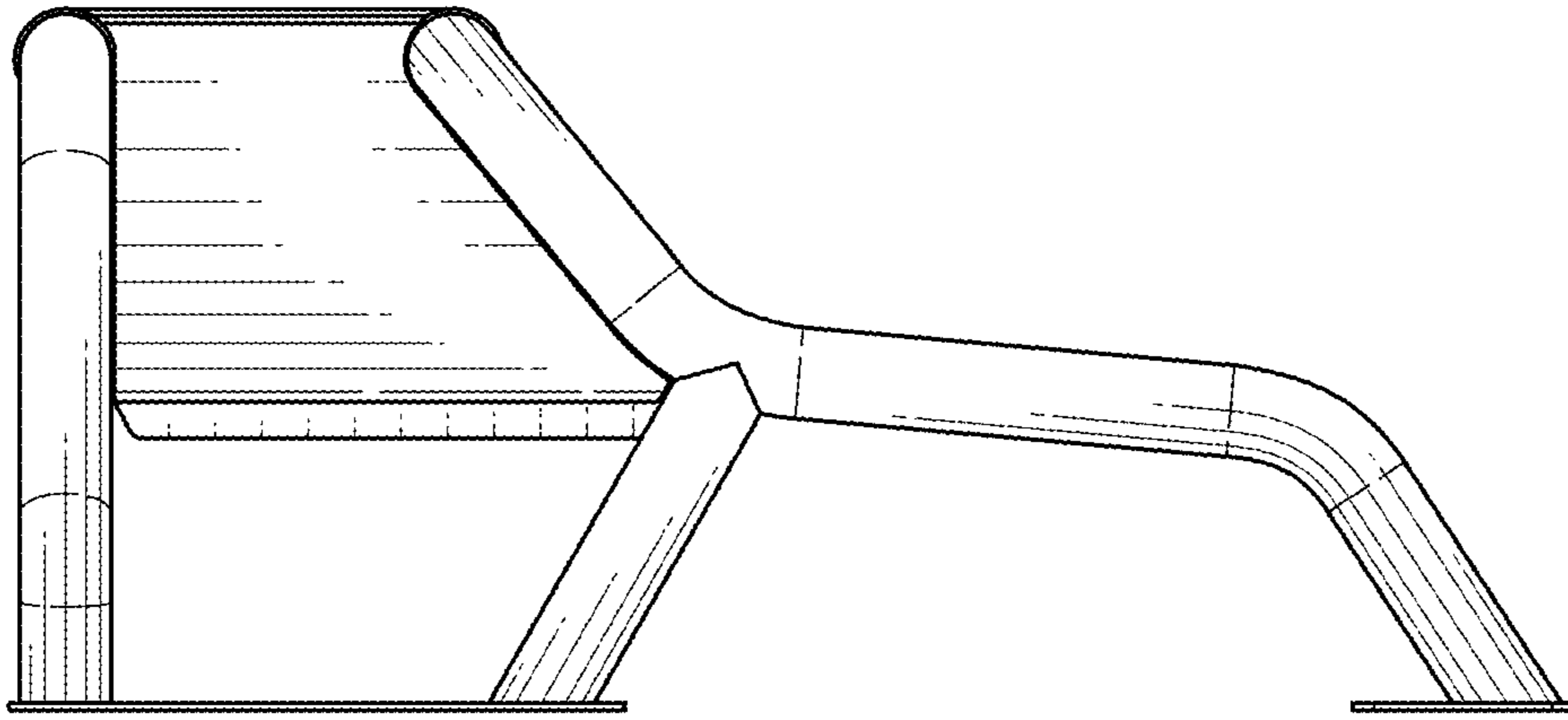


FIG. 9

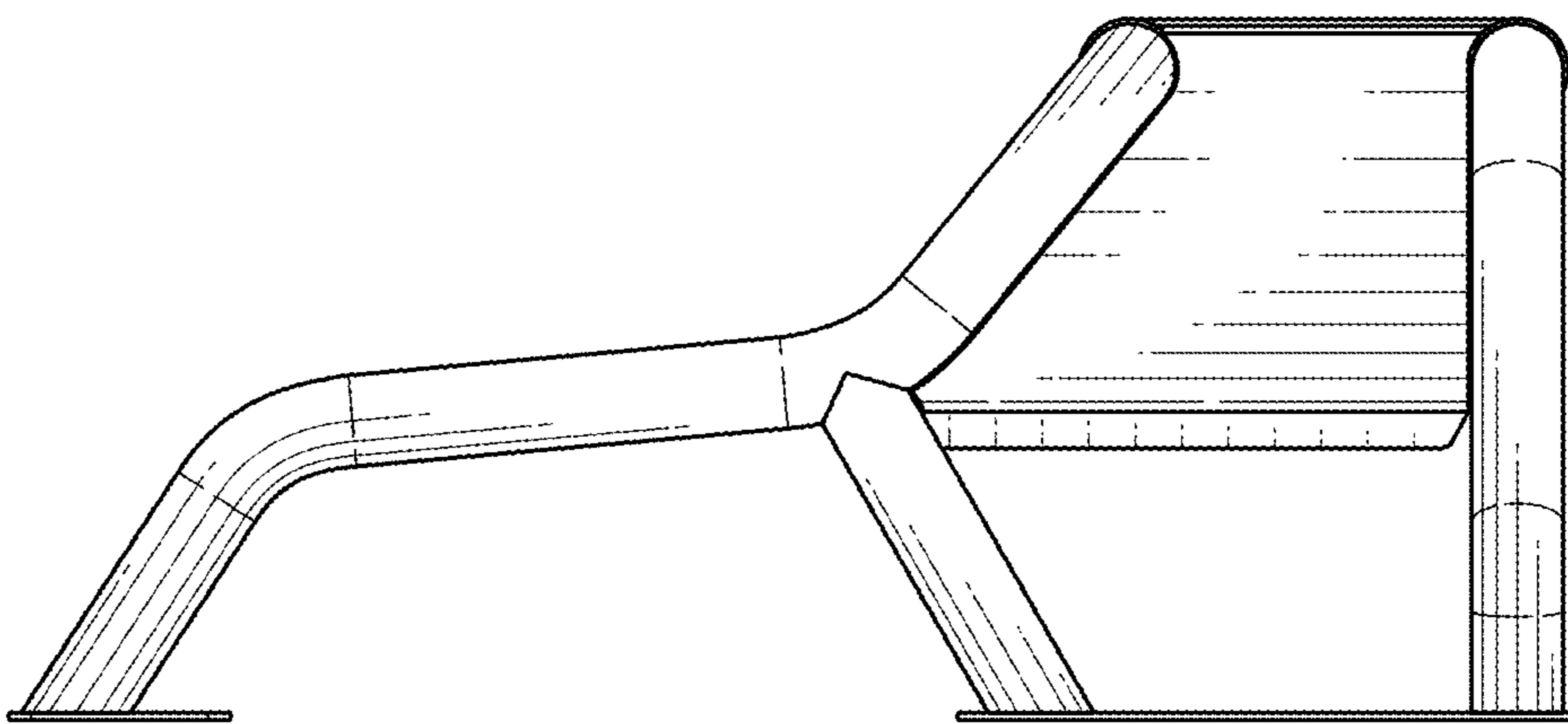


FIG. 10

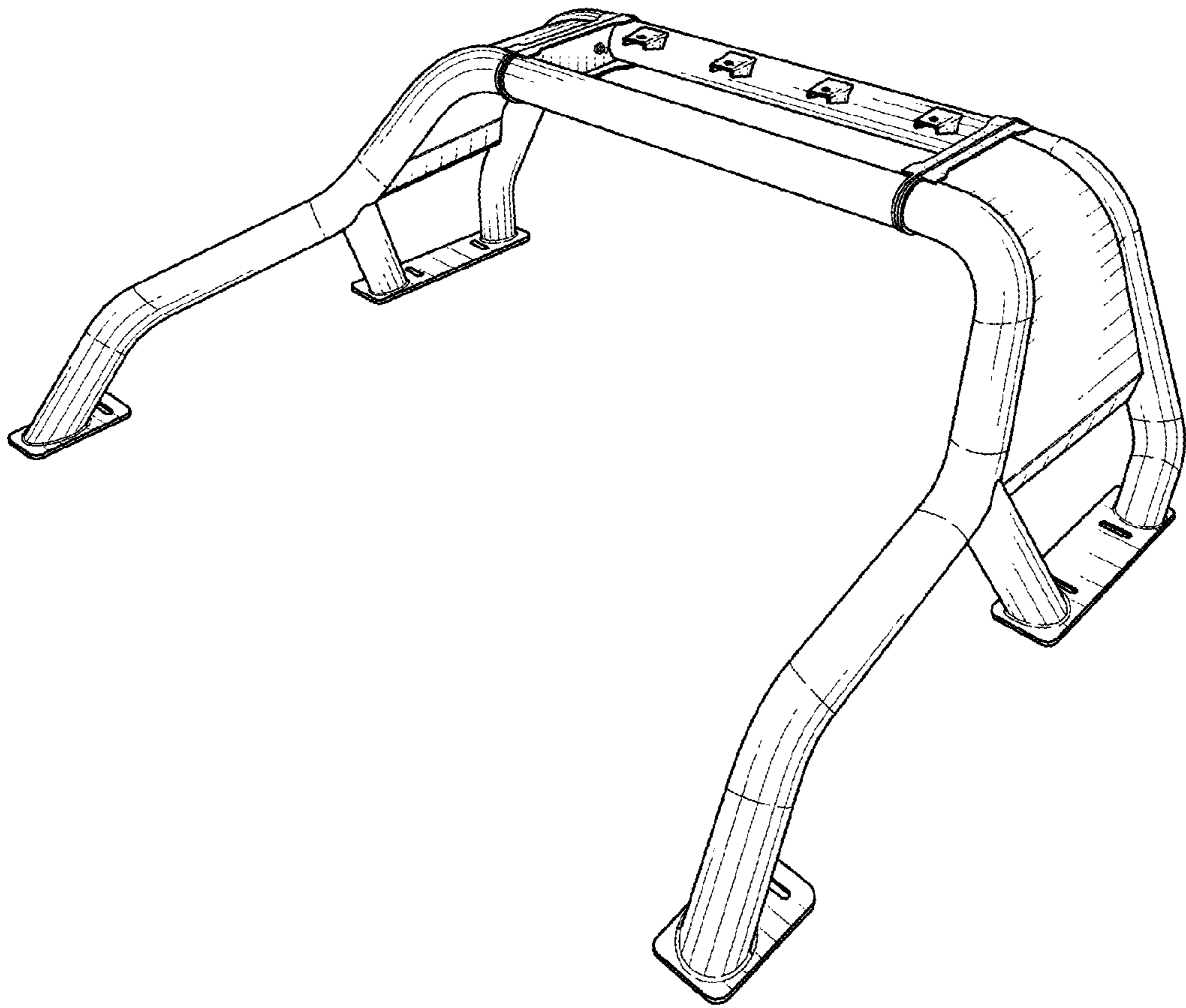


FIG. 11

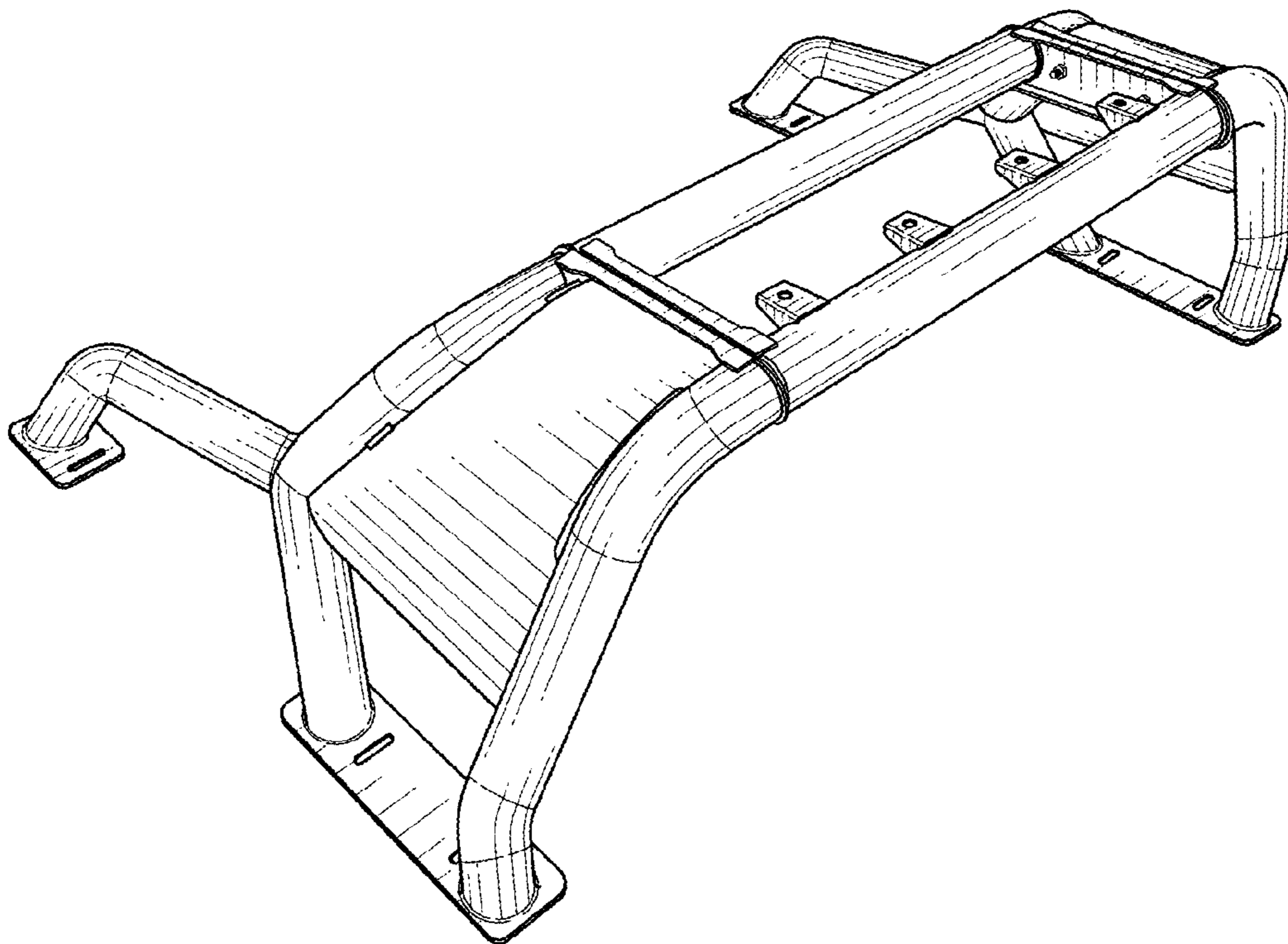


FIG. 12

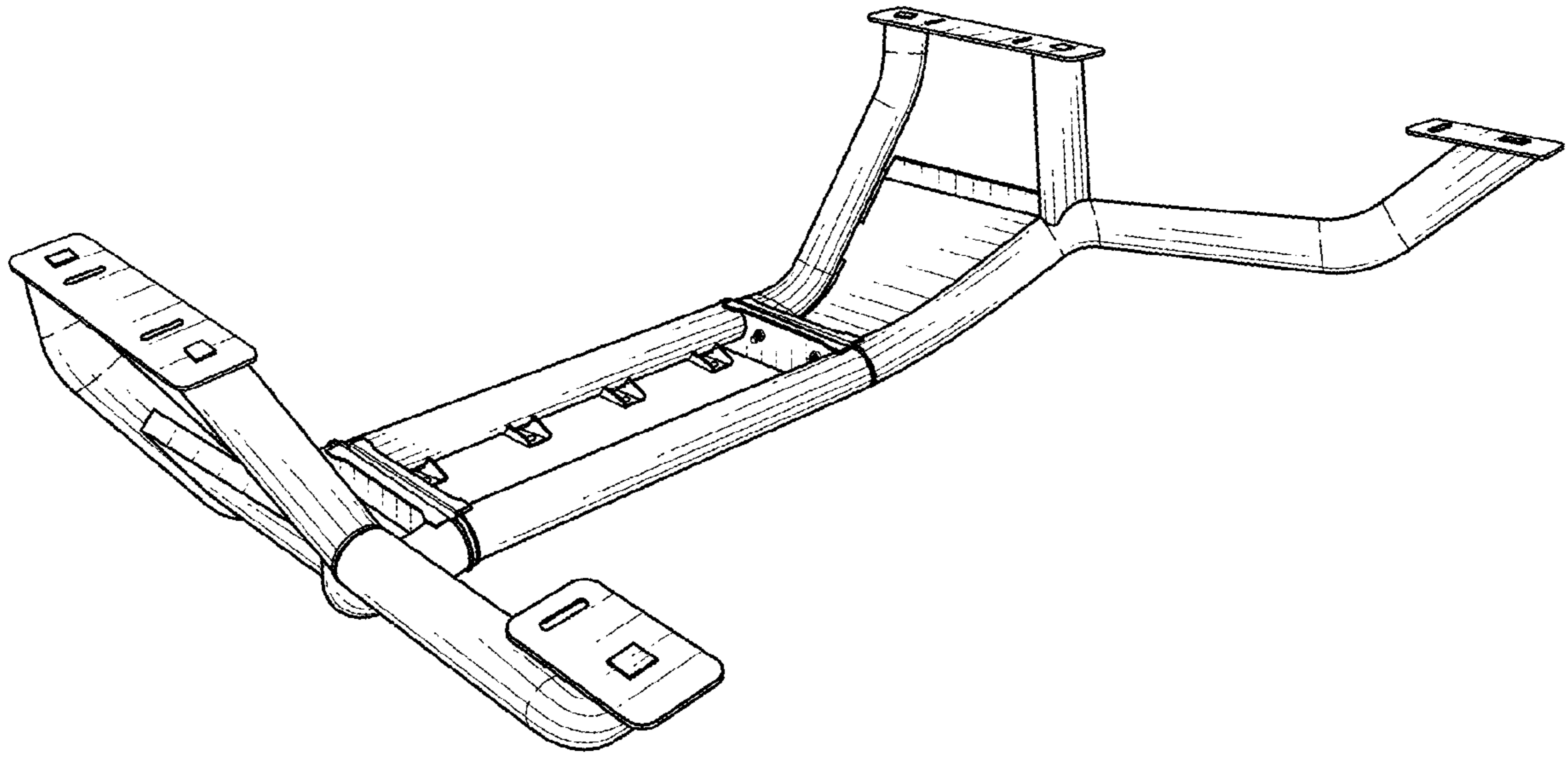


FIG. 13

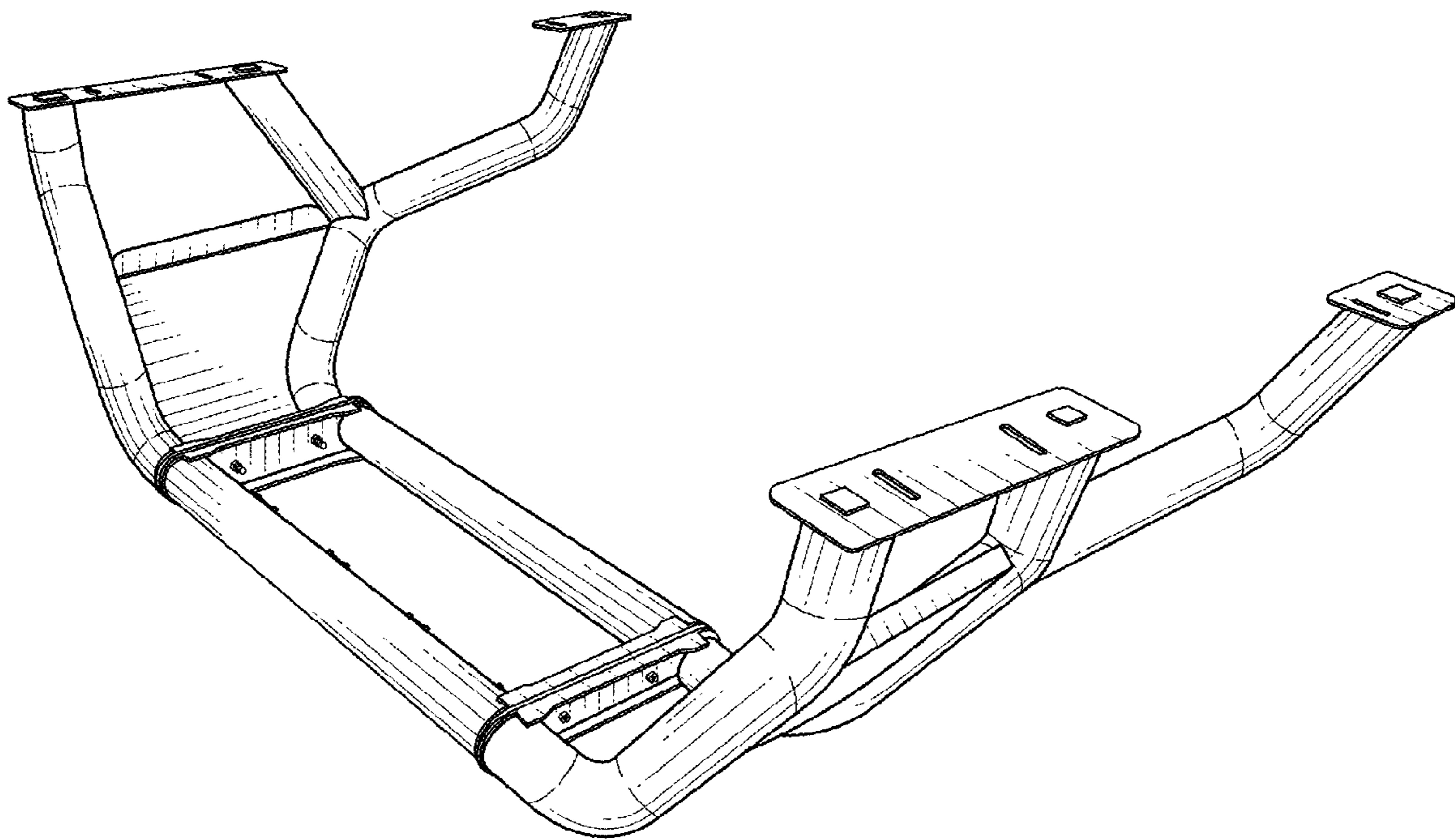


FIG. 14