



US00D920882S

(12) **United States Design Patent** (10) **Patent No.:** **US D920,882 S**
Bering et al. (45) **Date of Patent:** **** Jun. 1, 2021**

(54) **VEHICLE TANK**

FOREIGN PATENT DOCUMENTS

(71) Applicant: **DEERE & COMPANY**, Moline, IL
(US)

DE 19730825 A1 8/1998
DE 102007046678 A1 4/2009
(Continued)

(72) Inventors: **Christopher A. Bering**, Dike, IA (US);
Chad N. Hogan, Cedar Falls, IA (US)

OTHER PUBLICATIONS

(73) Assignee: **Deere & Company**, Moline, IL (US)

German Search Report issued in counterpart application No. 102019213708.3 dated Jun. 23, 2020 (08 pages).
(Continued)

(**) Term: **15 Years**

Primary Examiner — Darlington Ly

(21) Appl. No.: **29/666,463**

(74) *Attorney, Agent, or Firm* — Tucker Ellis LLP

(22) Filed: **Oct. 12, 2018**

(57) **CLAIM**

(51) **LOC (13) Cl.** **12-06**

The ornamental design for a vehicle tank, as shown and described.

(52) **U.S. Cl.**

DESCRIPTION

USPC **D12/218**

(58) **Field of Classification Search**

USPC D12/218; D15/15, 17, 23, 28
CPC B60K 15/00; B60K 15/03; B60K 15/0306;
B60K 15/063; B60K 15/073; B60K
15/07; B62D 21/16; F02M 37/0094
See application file for complete search history.

FIG. 1 is a left side perspective view of a vehicle tank embodying the claimed design.
FIG. 2 is a left side elevation view of the vehicle tank embodying the claimed design.
FIG. 3 is a right side elevation view of the vehicle tank embodying the claimed design.
FIG. 4 is a front elevation view of the vehicle tank embodying the claimed design.
FIG. 5 is a rear elevation view of the vehicle tank embodying the claimed design.
FIG. 6 is a top plan view of the vehicle tank embodying the claimed design; and,
FIG. 7 is a bottom plan view of the vehicle tank embodying the claimed design.

(56) **References Cited**

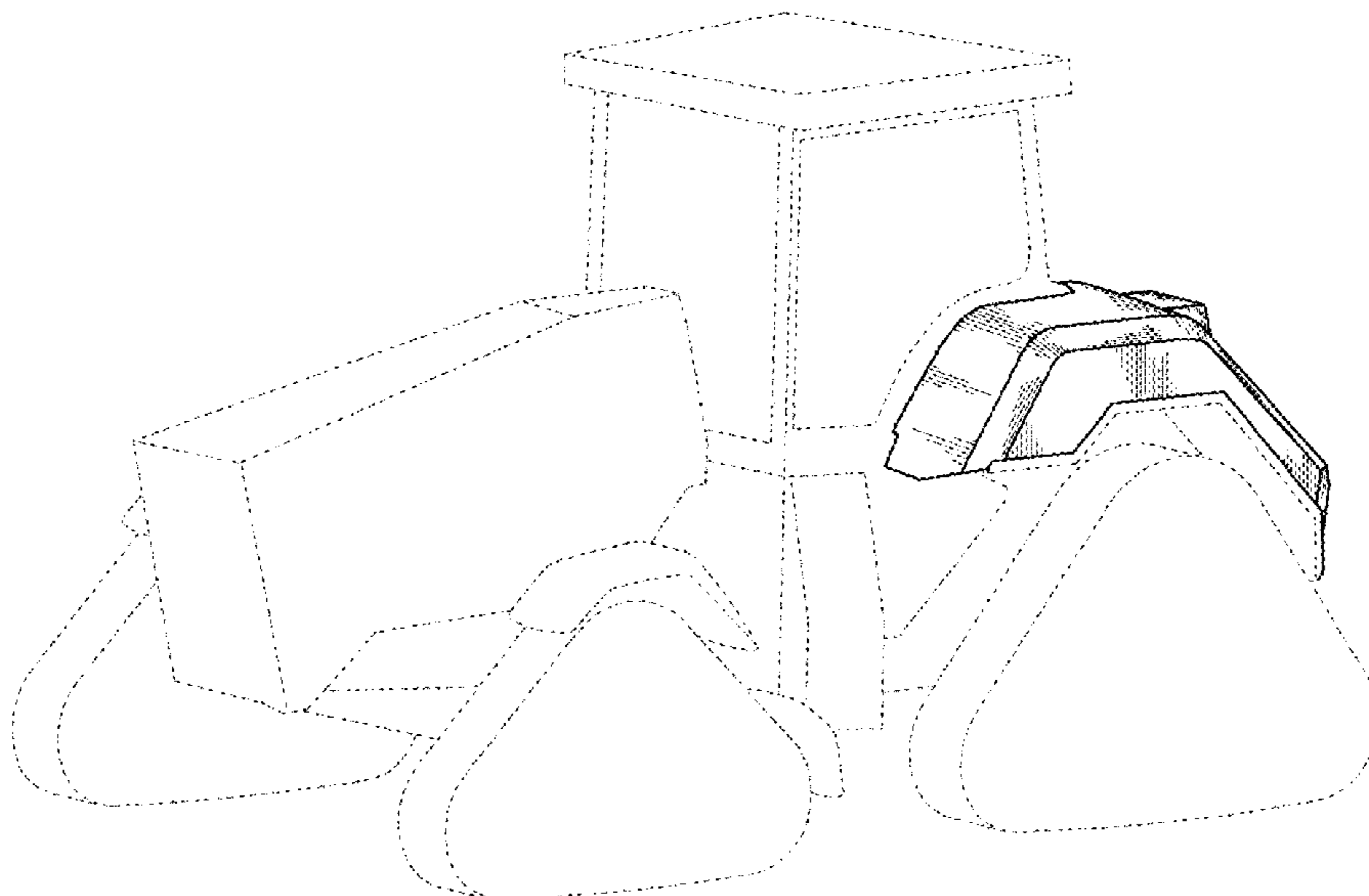
U.S. PATENT DOCUMENTS

4,480,845 A * 11/1984 Hansen B60K 15/00
280/164.1
D282,921 S * 3/1986 Eureka D12/218
D433,425 S * 11/2000 Surridge D15/17
D435,503 S * 12/2000 Gukeisen D12/218
D441,710 S * 5/2001 Moehle D12/218
6,550,811 B1 * 4/2003 Bennett B60K 15/03
180/314
D484,893 S * 1/2004 Hsiao D15/9
D551,153 S * 9/2007 Oury D12/218
D562,350 S * 2/2008 Higashikawa D12/218

The claimed design is shown in solid lines in the drawings. The portions of the drawings shown in broken lines form no part of the claimed design. the vehicle tank shown in FIGS. 1-7 is suitable for the left side of the vehicle. The claimed design further includes the mirror symmetrical design of the design shown in FIGS. 1-7 suitable for the right side of the vehicle and is not separately illustrated.

(Continued)

1 Claim, 7 Drawing Sheets



(56)

References Cited

U.S. PATENT DOCUMENTS

D564,431 S * 3/2008 Orr D12/196
 D588,054 S * 3/2009 Xi-Ren D12/218
 D644,160 S * 8/2011 Fries D12/218
 D644,161 S * 8/2011 Fries D12/218
 D647,166 S * 10/2011 Kimball D23/202
 D655,372 S * 3/2012 Kimball D23/202
 D656,520 S * 3/2012 Ortlund D12/218
 D663,325 S * 7/2012 Thunstrom D15/13
 D669,099 S * 10/2012 Ringer D15/28
 D694,167 S * 11/2013 Forsberg D12/218
 D695,202 S * 12/2013 Forsberg D12/218
 D713,424 S * 9/2014 Gonzales D15/28
 D728,632 S * 5/2015 Klassen D12/218
 D728,633 S * 5/2015 Klassen D12/218
 D772,773 S * 11/2016 Andersen D12/218
 D773,773 S 12/2016 Ethington et al.
 D775,238 S * 12/2016 Roemer D12/218
 D792,479 S * 7/2017 Sasaki D15/17
 D803,756 S 11/2017 Andersen et al.
 D891,336 S 7/2020 Bering et al.
 2020/0114801 A1 4/2020 Bering et al.
 2020/0262488 A1 8/2020 Bering et al.
 2020/0262498 A1 8/2020 Bender et al.

FOREIGN PATENT DOCUMENTS

DE 102009009817 A1 8/2010
 DE 102012109085 A1 3/2014
 DE 102017201425 A1 8/2017
 DE 102017118762 A1 2/2019
 DE 102017217391 A1 4/2019
 EP 0860350 B1 8/2003

OTHER PUBLICATIONS

Specification and Figures for related unpublished U.S. application for Fender for Work Vehicle, U.S. Appl. No. 29/680,663, filed Feb. 19, 2019. 21 Pages.
 Specification and Figures for related unpublished U.S. application for Commodity Tank for a Work Vehicle, U.S. Appl. No. 29/726,030, filed Feb. 28, 2020. 36 Pages.
 Specification and Figures for related unpublished U.S. application for Work Vehicle With Support Device for Mounting a Commodity Tank and Support Device Mounting a Commodity Tank to a Work Vehicle, U.S Appl. No. 16/805,137, filed Feb. 28, 2020. 51 Pages.

* cited by examiner

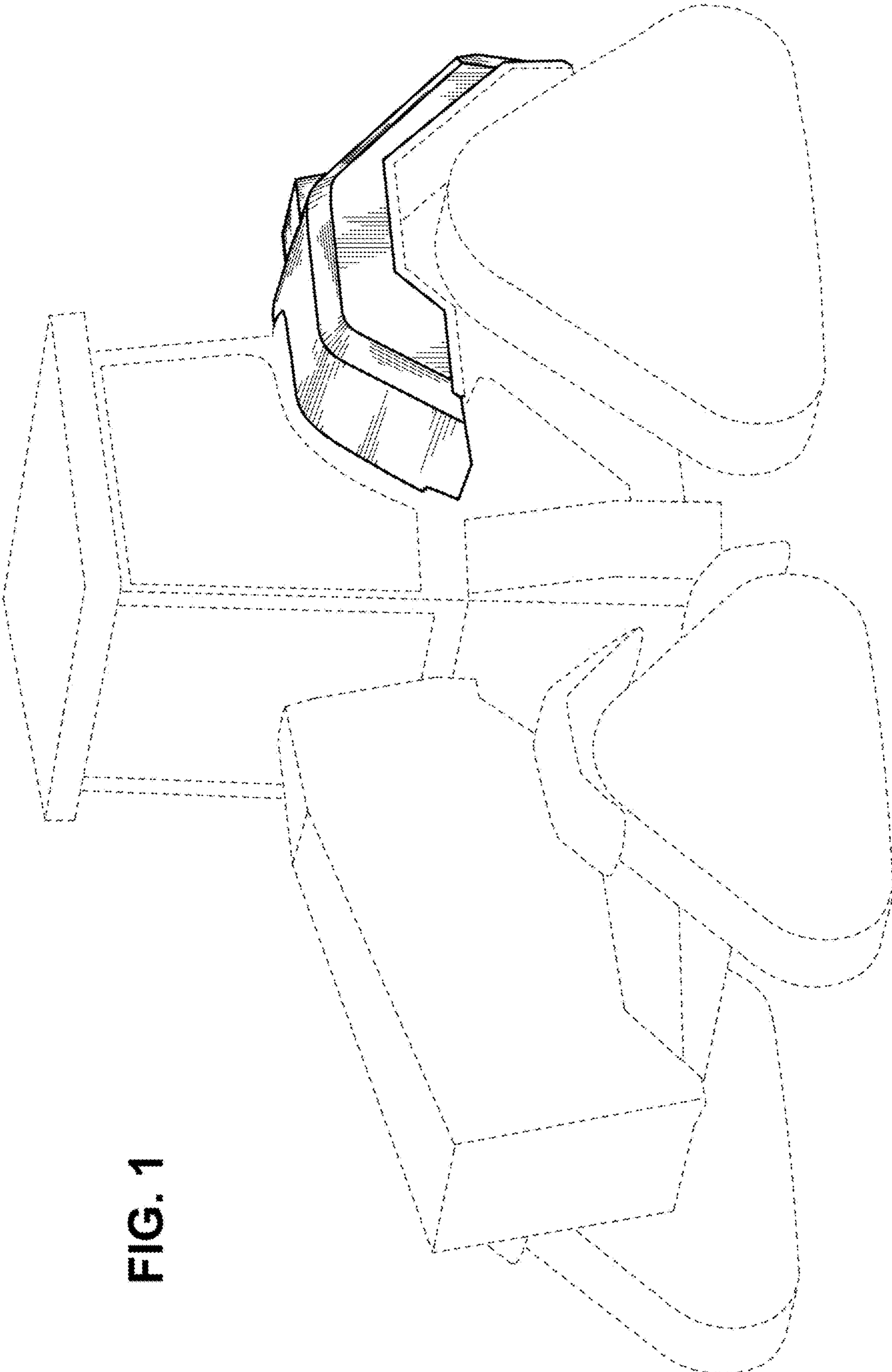


FIG. 1

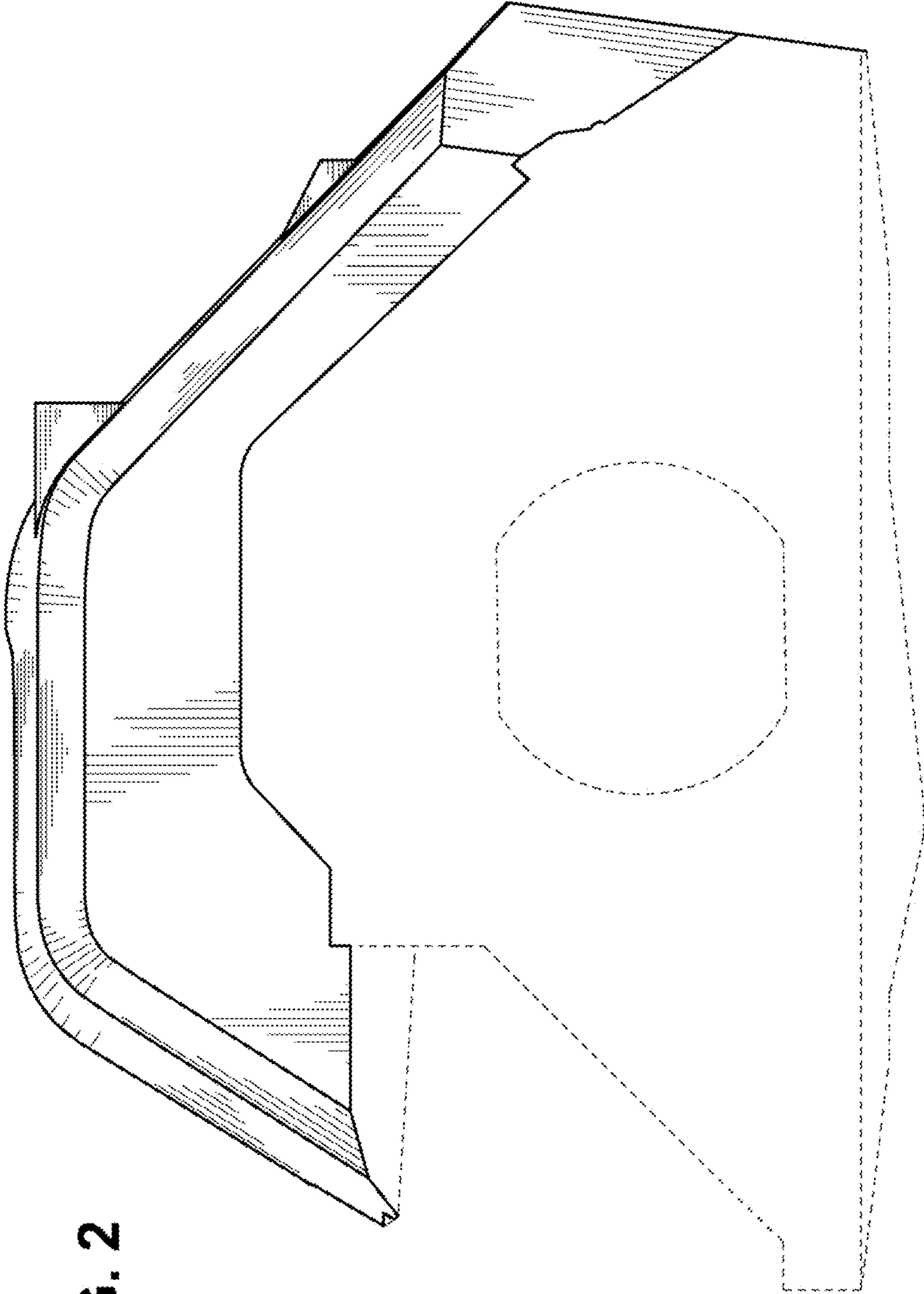
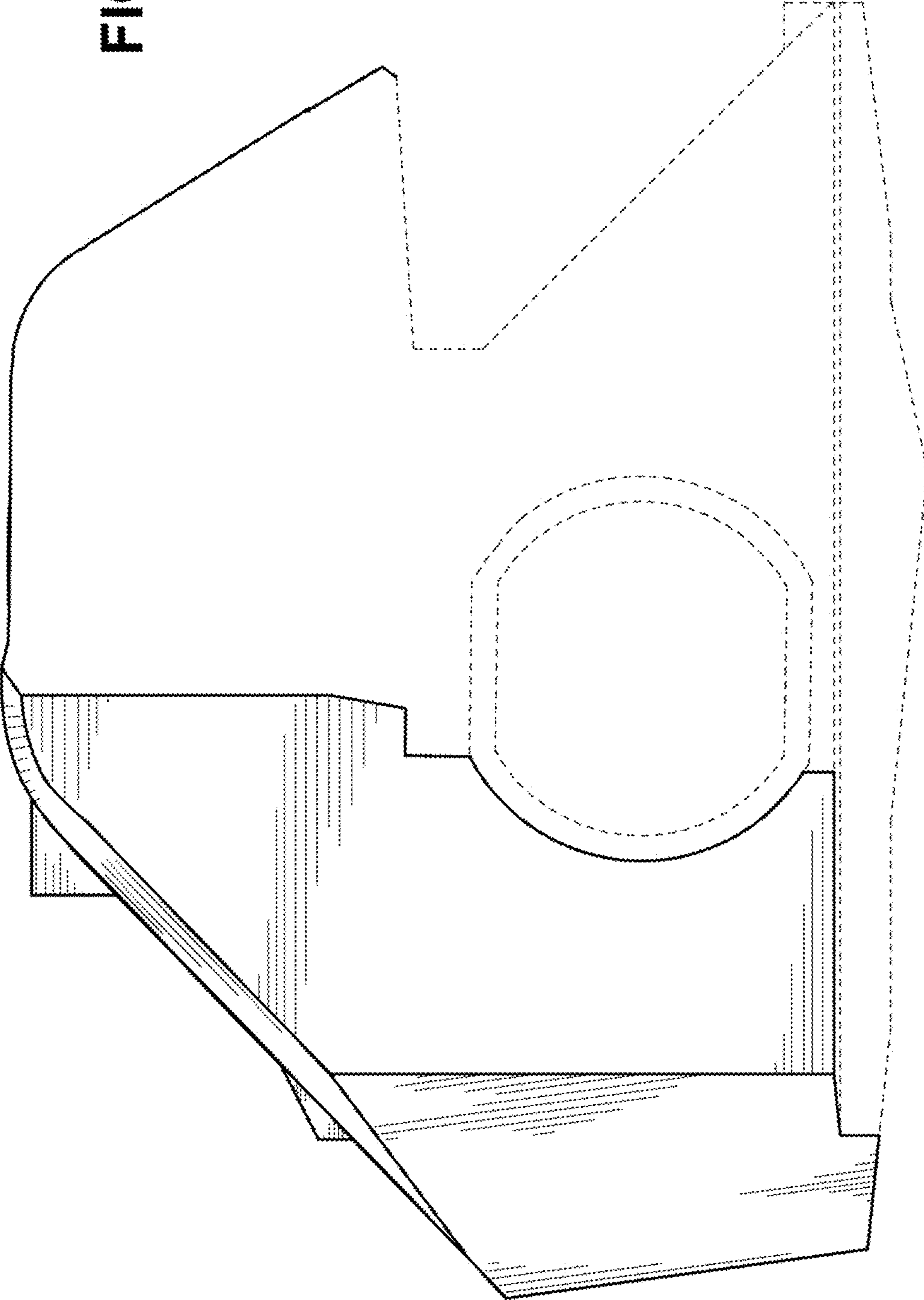


FIG. 2

FIG. 3



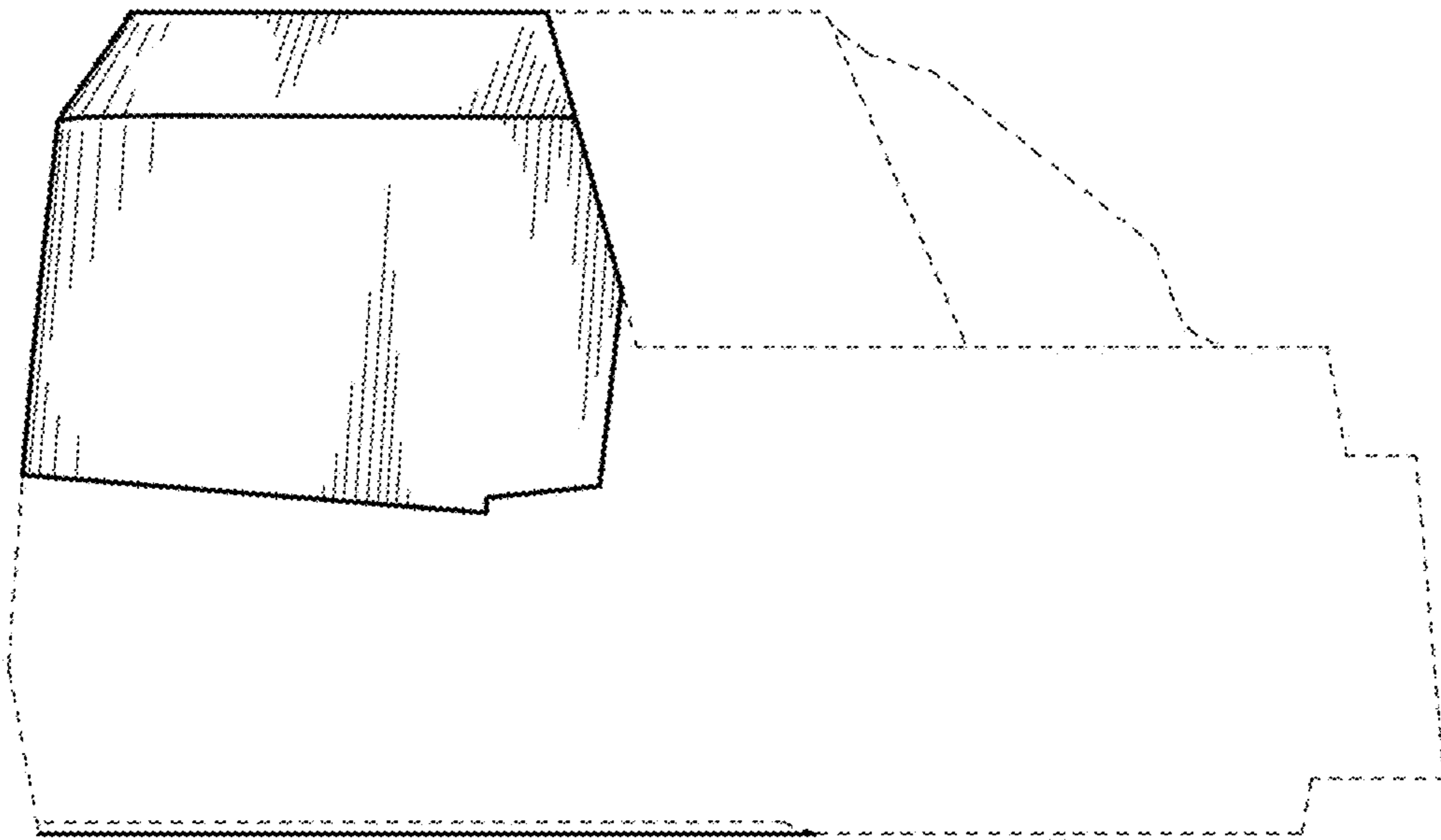


FIG. 4

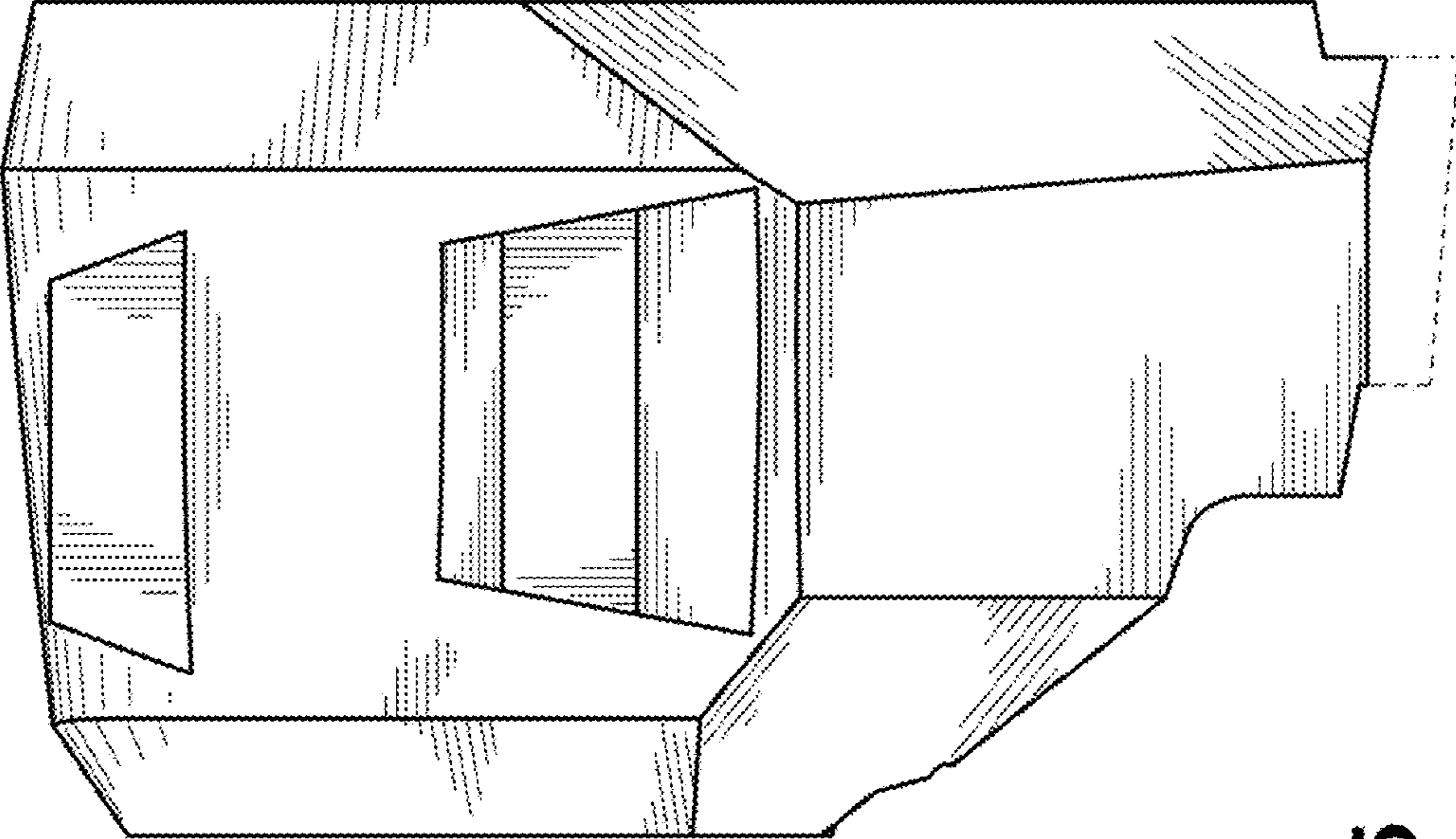


FIG. 5

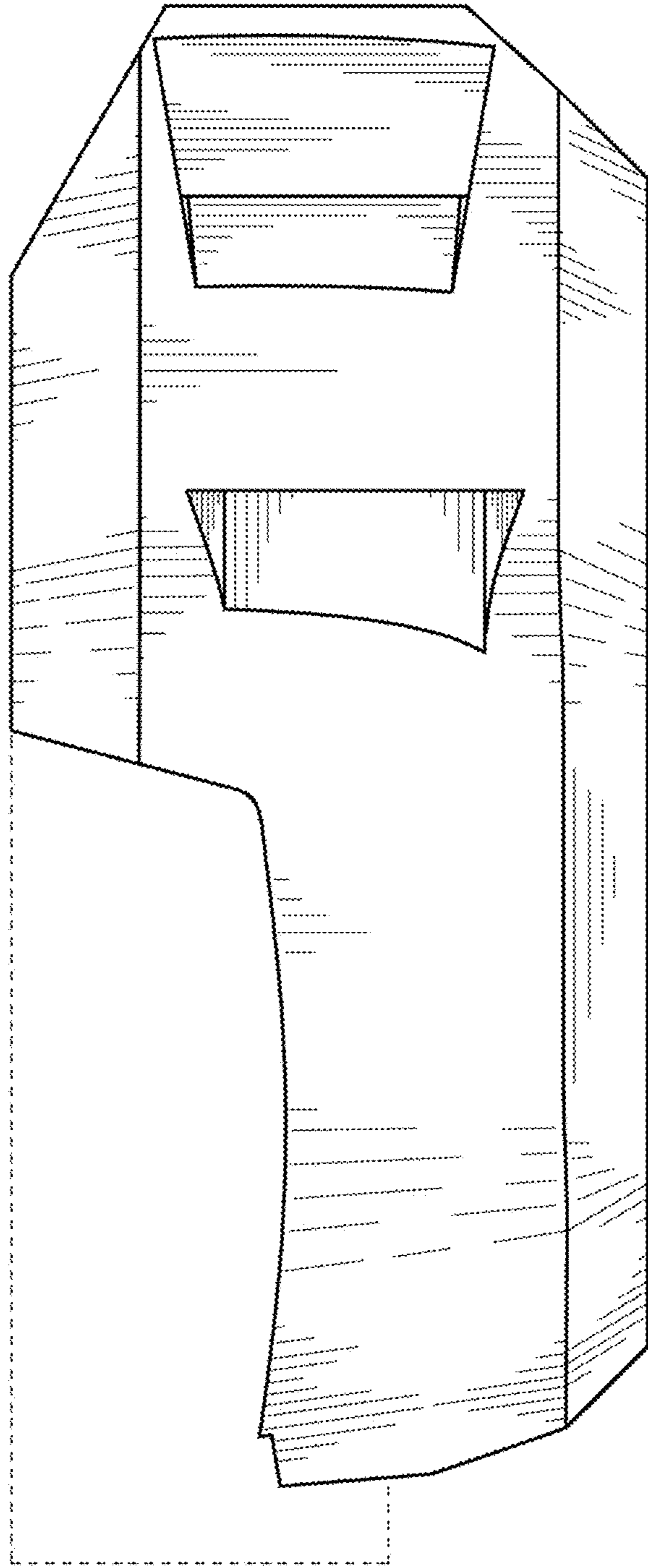


FIG. 6

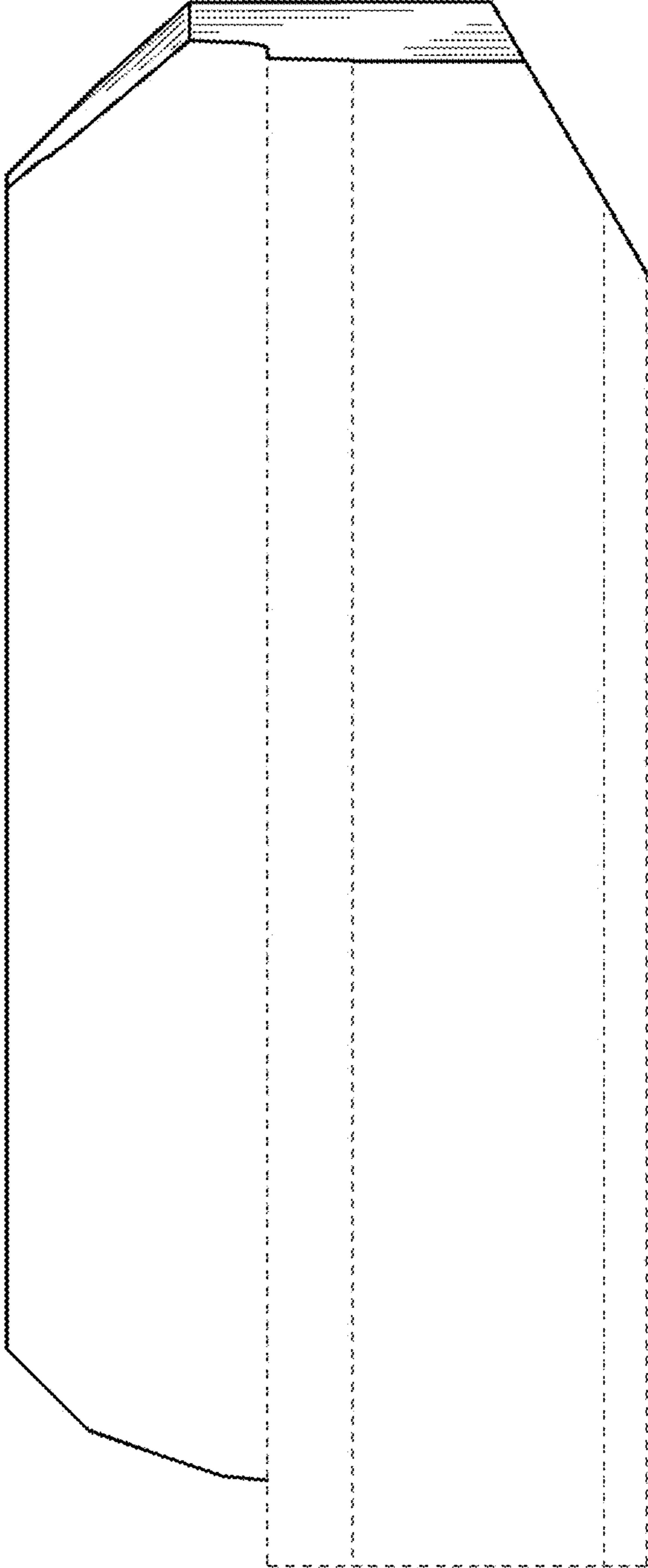


FIG. 7