



US00D920881S

(12) **United States Design Patent**
Sheehan

(10) **Patent No.:** **US D920,881 S**

(45) **Date of Patent:** **** Jun. 1, 2021**

(54) **PARKING BLOCK**

10,745,870 B2 * 8/2020 Xiang F16H 25/2204
D902,762 S * 11/2020 French D10/113.3
D908,042 S * 1/2021 Brown D11/156

(71) Applicant: **INNOVATIVE PRODUCTS INTERNATIONAL LLC**, Denver, CO (US)

OTHER PUBLICATIONS

(72) Inventor: **Michael P Sheehan**, Denver, CO (US)

Parking Target D18 https://www.amazon.com/PARKING-TARGET-HD18-Heavy-ParkingTarget/dp/B00KSIF0FY/ref=sr_1_1?dchild=1&m=A1OB7WSPMV3LP3&qid=1616188827&s=merchant-items&sr=1-1 2017 (Year: 2017).*

(**) Term: **15 Years**

* cited by examiner

(21) Appl. No.: **29/711,644**

(22) Filed: **Nov. 1, 2019**

Primary Examiner — George D. Kirschbaum

(51) **LOC (13) Cl.** **12-16**

(74) *Attorney, Agent, or Firm* — Reilly Intellectual Property Law Firm

(52) **U.S. Cl.**

USPC **D12/217**; D10/113.1

(58) **Field of Classification Search**

USPC D10/113.1, 113.3, 109.1; D13/155, 102; D25/199; D12/217

See application file for complete search history.

(57) **CLAIM**

The ornamental design for parking block, as shown and described.

DESCRIPTION

(56) **References Cited**

U.S. PATENT DOCUMENTS

3,113,642	A	*	12/1963	Lay	E01F 9/529
						188/32
D229,330	S	*	11/1973	Miles	D12/217
D315,542	S	*	3/1991	Dalton	D12/167
5,687,516	A		11/1997	Sheehan		
D410,887	S	*	6/1999	Henry	D12/217
D412,490	S	*	8/1999	Henry	D13/155
D425,440	S	*	5/2000	Franklin	D10/113.3
D448,338	S	*	9/2001	Duvall	D12/217
D460,013	S	*	7/2002	Spiller	D10/113.3
D461,138	S	*	8/2002	Spiller	D10/113.3
D578,919	S	*	10/2008	Liao	D10/113.3
D625,677	S	*	10/2010	Robbins, Sr.	D12/217
D626,515	S	*	11/2010	Winer	D13/155
D795,112	S	*	8/2017	Fenimore	D10/113.3
D810,008	S	*	2/2018	Mollison	D13/102
D843,329	S	*	3/2019	Baldwin	D13/155
D862,270	S	*	10/2019	Povoli	D10/113.3
D864,122	S	*	10/2019	Ruddick	D13/155
D893,331	S	*	8/2020	Barnes	D10/113.1

FIG. 1 is a top perspective view of a parking block, showing the design;

FIG. 2 is a top view of FIG. 1;

FIG. 3 is an end view of FIG. 1;

FIG. 4 is a side view of FIG. 1;

FIG. 5 is an opposite side view of FIG. 4;

FIG. 6 is an opposite end view of FIG. 3;

FIG. 7 is a bottom view of FIG. 1;

FIG. 8 is a top perspective view of a related form of parking block;

FIG. 9 is a top view of FIG. 8;

FIG. 10 is an end view of FIG. 8;

FIG. 11 is a side view of FIG. 8;

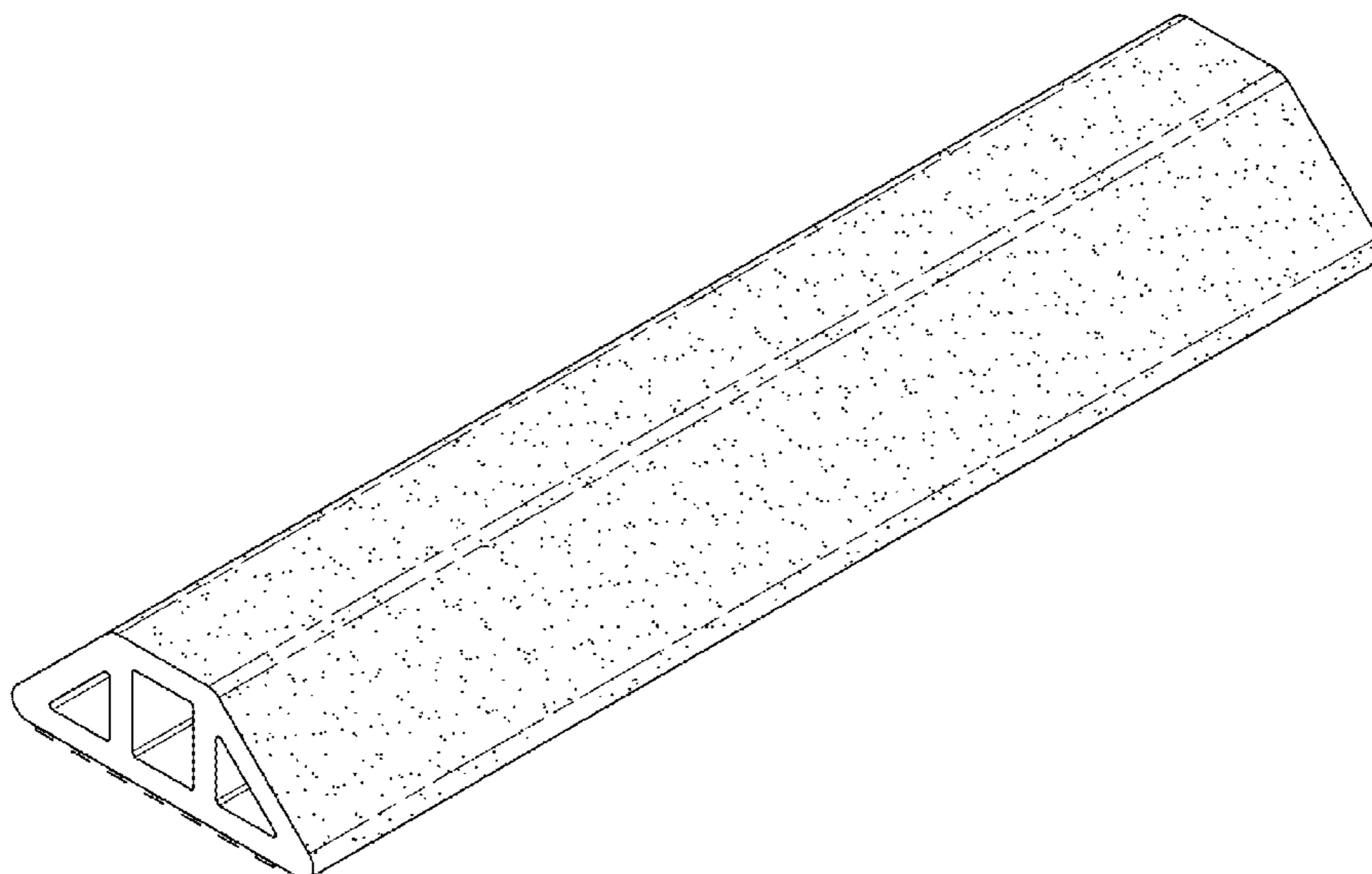
FIG. 12 is an opposite side view of FIG. 11;

FIG. 13 is an opposite end view of FIG. 10; and,

FIG. 14 is a bottom view of FIG. 9.

The broken line showing is included for the purpose of illustrating portions of the "article" and forms no part of the claimed design.

1 Claim, 8 Drawing Sheets



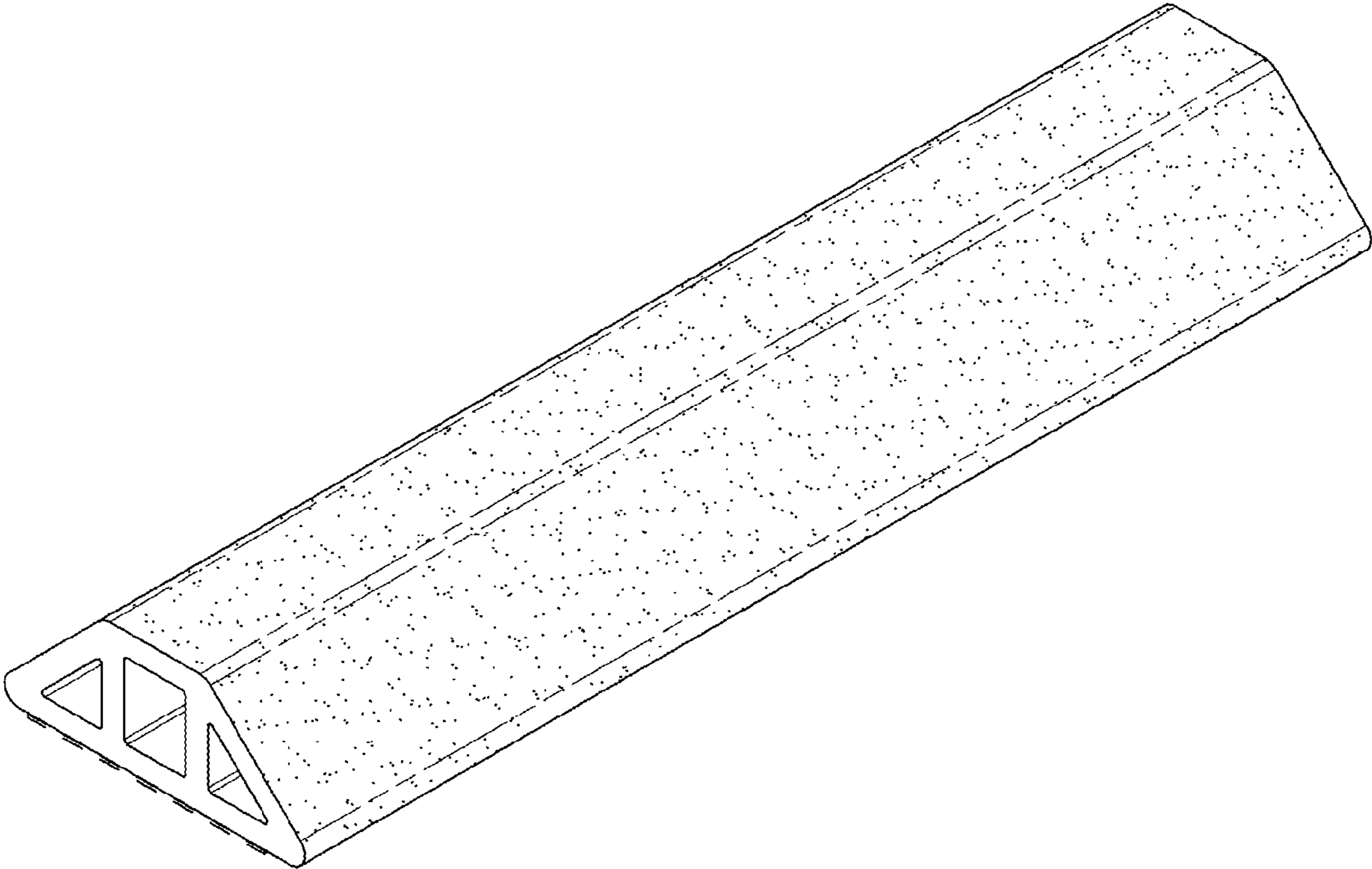


Fig. 1

Fig. 2

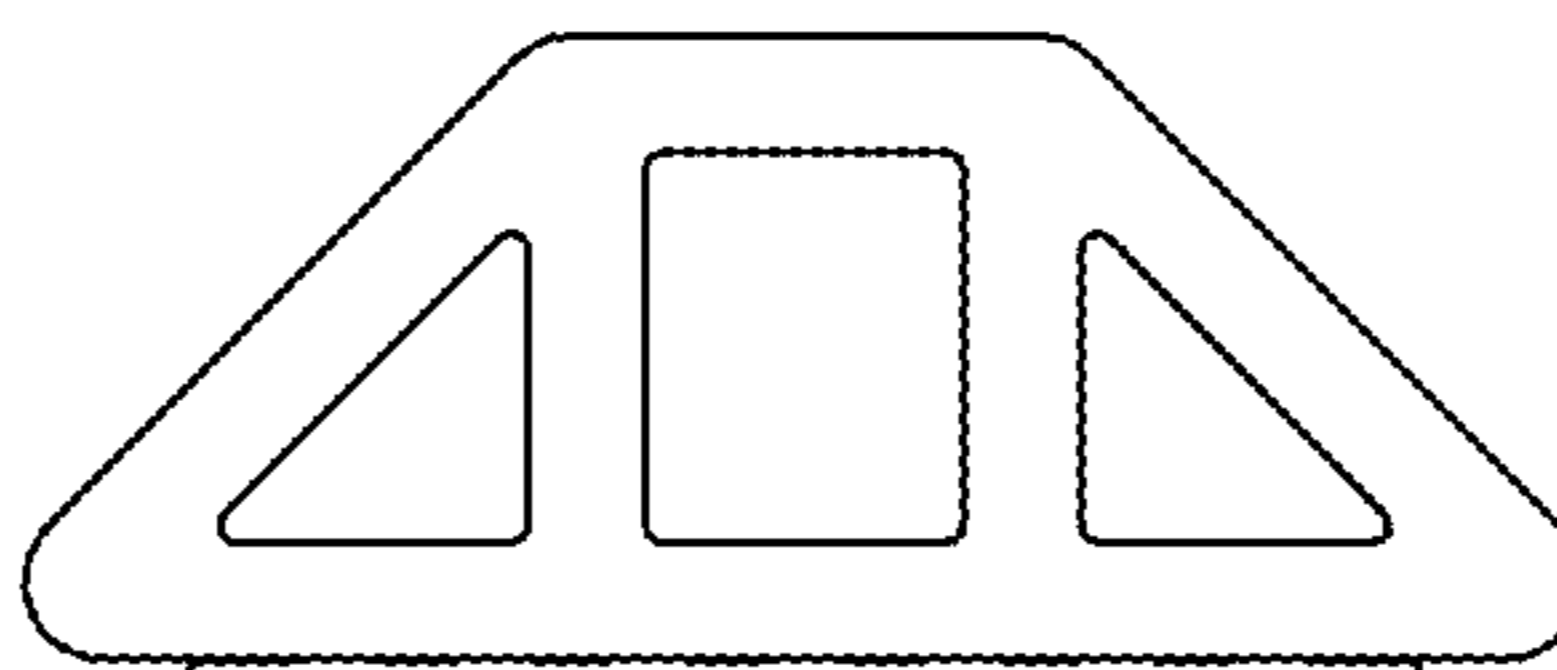
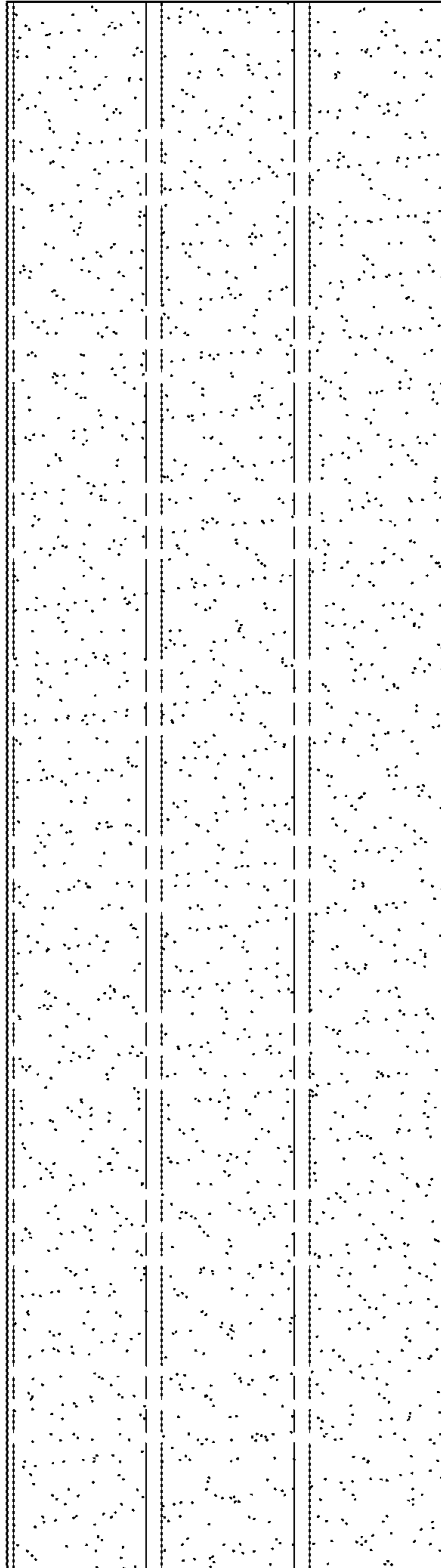


Fig. 3

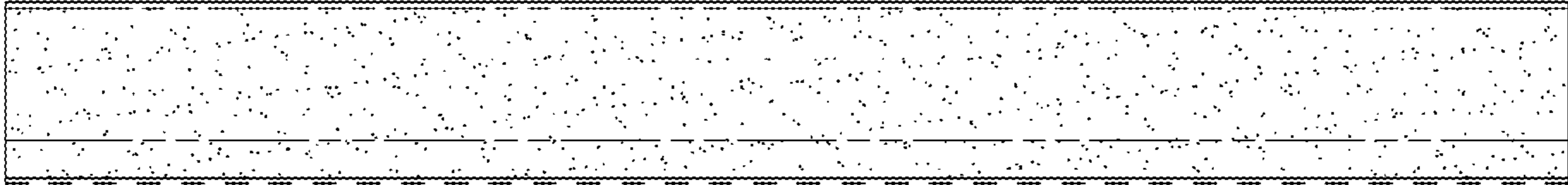


Fig. 4

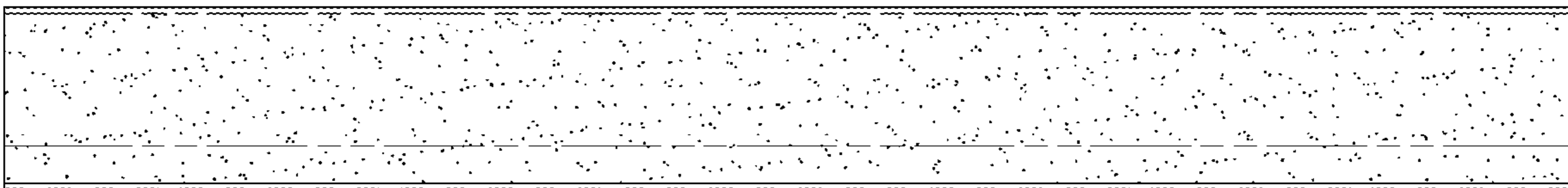


Fig. 5

Fig. 6

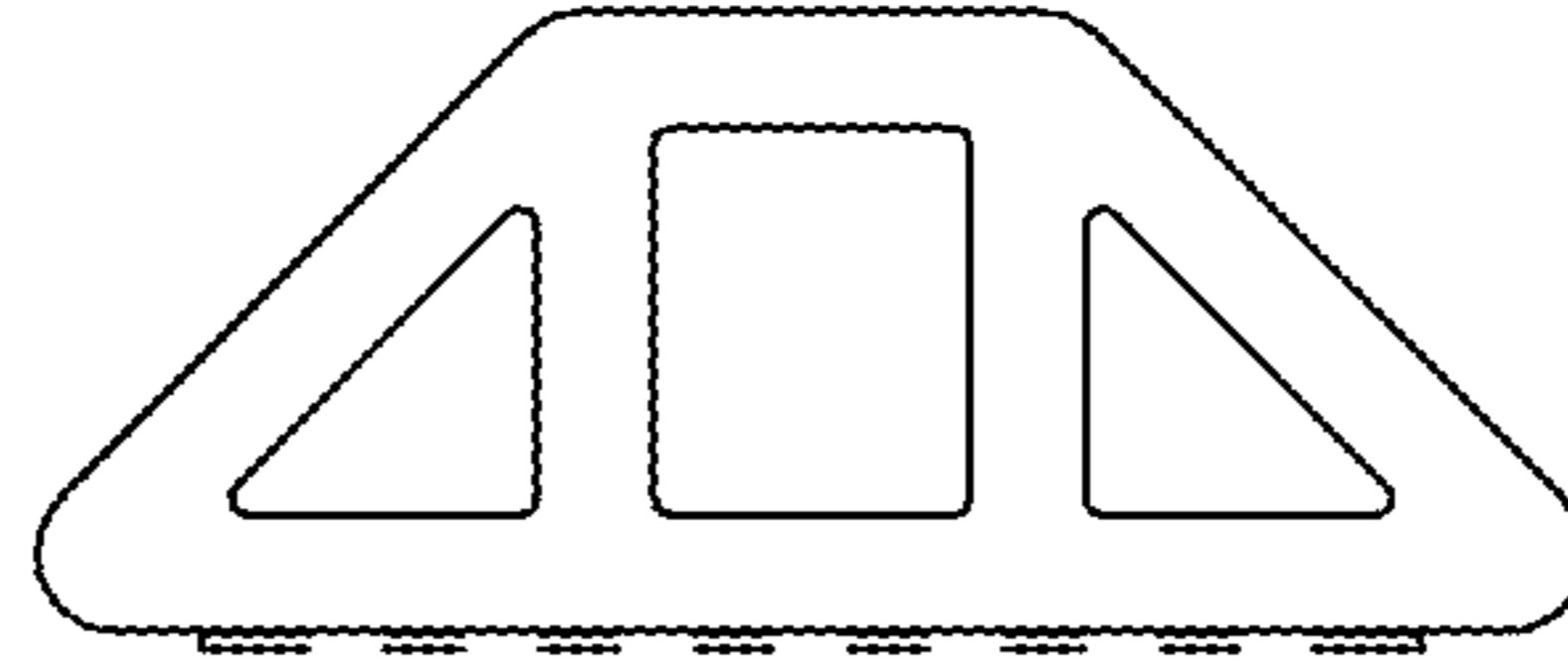
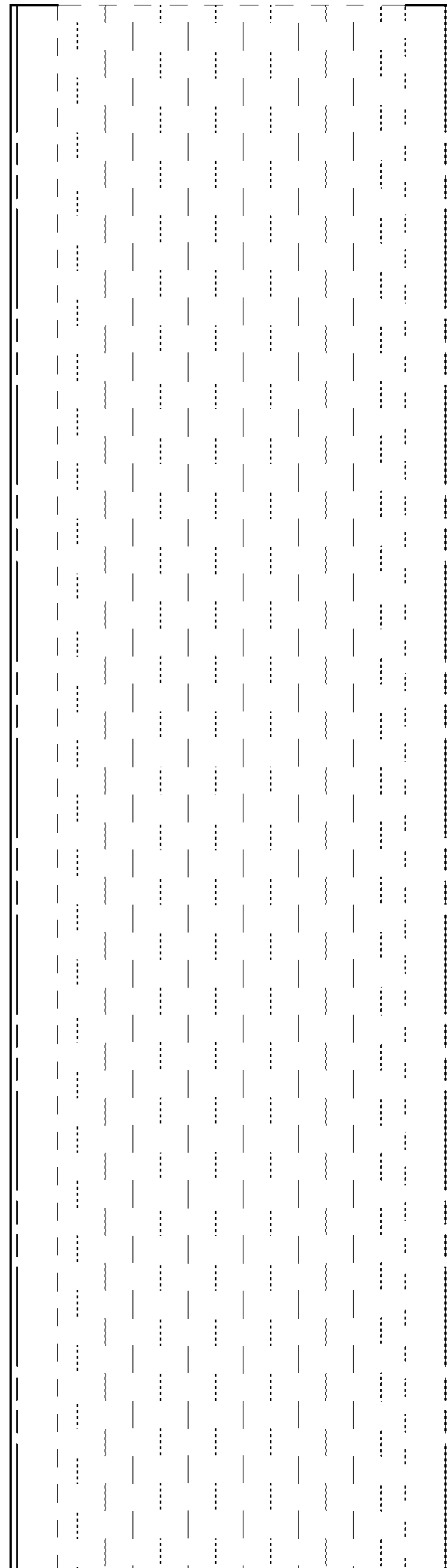


Fig. 7



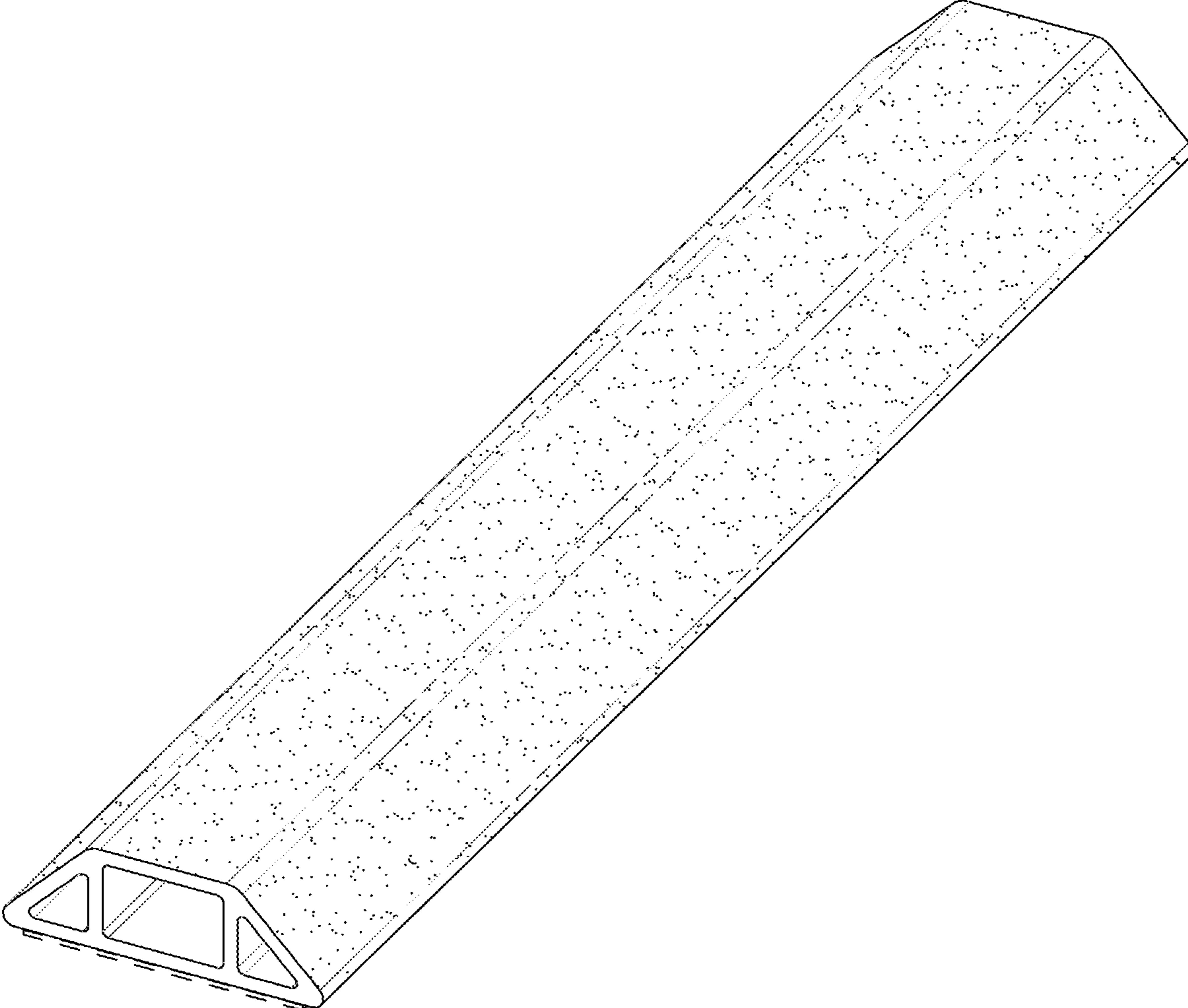


Fig. 8

Fig. 9

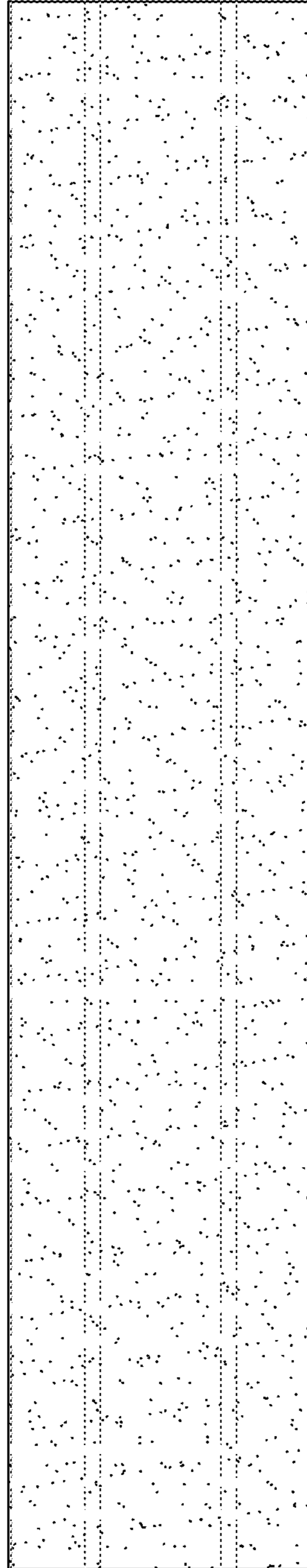
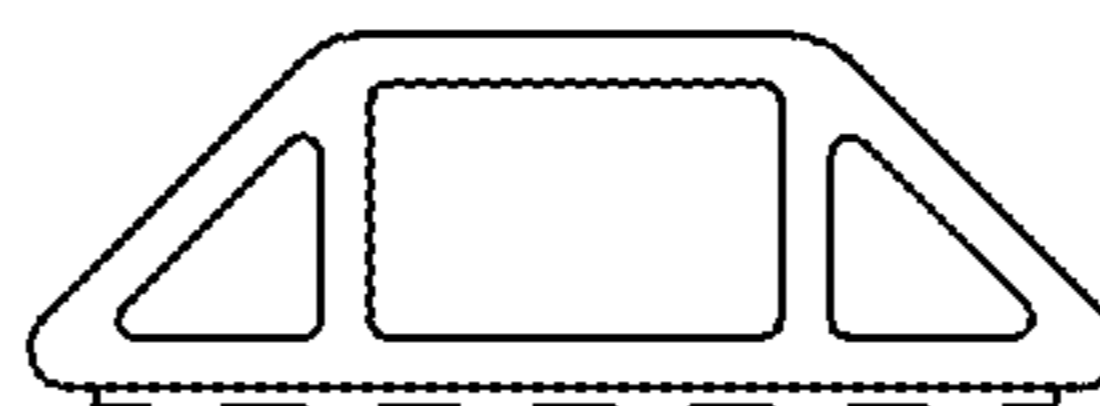


Fig. 10



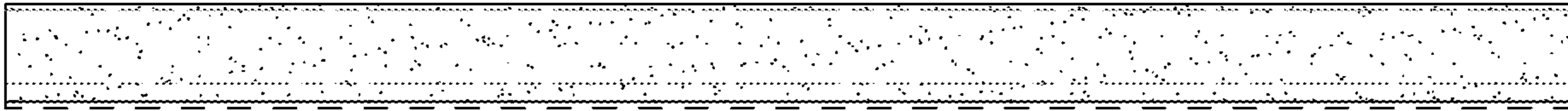


Fig. 11



Fig. 12

Fig. 13

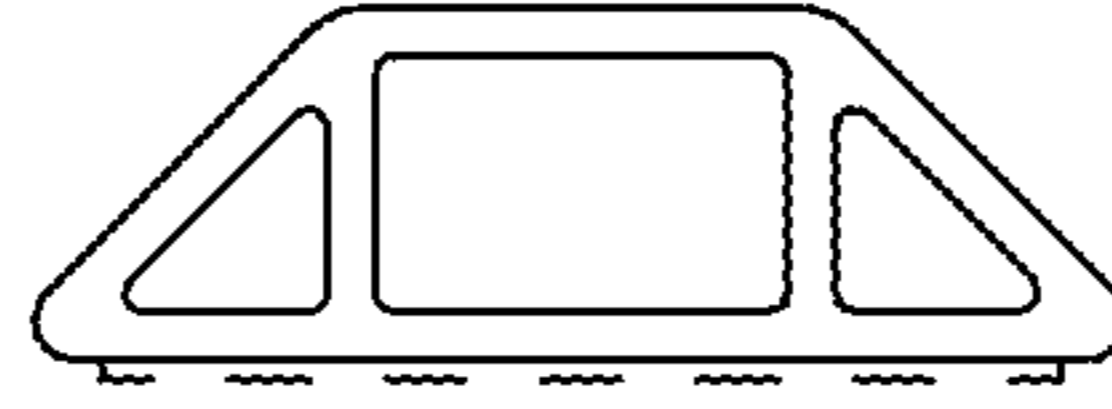


Fig. 14

