



US00D920879S

(12) **United States Design Patent**
Hale, Jr.

(10) **Patent No.:** **US D920,879 S**

(45) **Date of Patent:** **** Jun. 1, 2021**

(54) **FRONT FACE OF A VEHICLE WHEEL**

(71) Applicant: **Wheel Pros, LLC**, Greenwood Village,
CO (US)

(72) Inventor: **Arthur D. Hale, Jr.**, Compton, CA
(US)

(**) Term: **15 Years**

(21) Appl. No.: **29/738,983**

(22) Filed: **Jun. 22, 2020**

(51) **LOC (13) Cl.** **12-16**

(52) **U.S. Cl.**
USPC **D12/209**

(58) **Field of Classification Search**
USPC D12/204-213; D21/563
CPC B60B 7/00; B60B 7/02; B60B 7/04; B60B
7/01; B60B 7/06; B60B 3/02; B60B 3/04;
B60B 3/06; B60B 3/10; B60B 1/00;
B60B 1/08; B60B 1/10; B60B 1/12
See application file for complete search history.

(56) **References Cited**

U.S. PATENT DOCUMENTS

D704,117 S *	5/2014	Chung	D12/209
D704,121 S *	5/2014	Chung	D12/211
D766,805 S *	9/2016	Chung	D12/211
D821,284 S *	6/2018	Tran	D12/209
D823,214 S *	7/2018	Chung	D12/209

D826,827 S *	8/2018	Tran	D12/209
D835,021 S *	12/2018	Sempek	D12/209
D842,185 S *	3/2019	Chung	D12/209
D847,718 S *	5/2019	Han	D12/209
D865,615 S *	11/2019	Tran	D12/209
D875,018 S *	2/2020	Han	D12/211
D883,893 S *	5/2020	Johnson	D12/211
D889,365 S *	7/2020	Han	D12/209
D893,378 S *	8/2020	DiGuglielmo	D12/209
D897,926 S *	10/2020	Chung	D12/209
D901,353 S *	11/2020	Tran	D12/209
D908,069 S *	1/2021	Lee	D12/211
D908,577 S *	1/2021	Tran	D12/209
D909,272 S *	2/2021	Chung	D12/209

* cited by examiner

Primary Examiner — Stacia A Cadmus

(74) *Attorney, Agent, or Firm* — Eric Hanscom

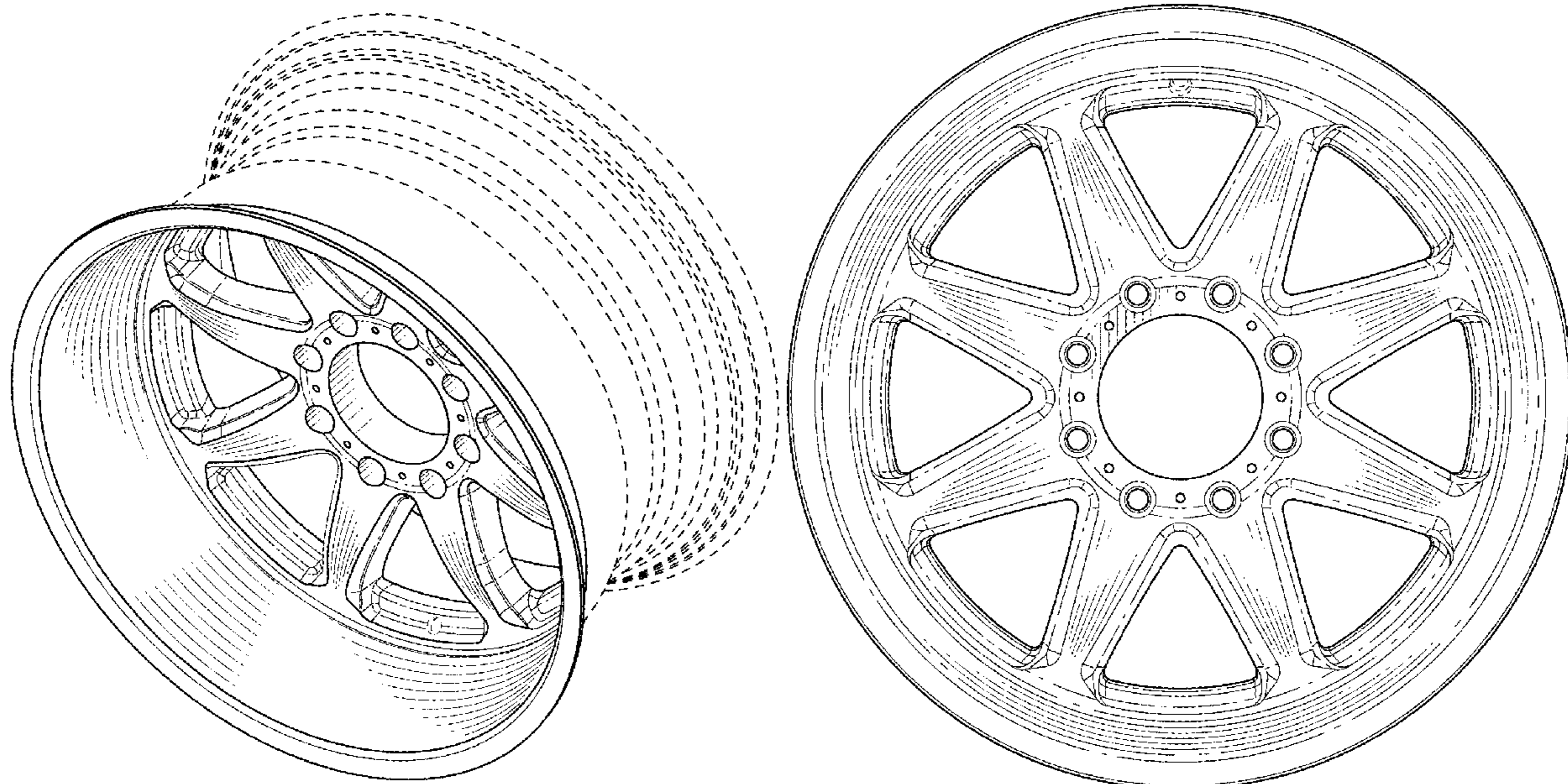
(57) **CLAIM**

The ornamental design for a front face of a vehicle wheel,
as shown and described.

DESCRIPTION

FIG. 1 is a perspective view of a front face of a vehicle wheel
showing my new design; and,
FIG. 2 is a front view thereof.
In the drawings the broken lines depict portions of the wheel
that form no part of the claimed design.

1 Claim, 2 Drawing Sheets



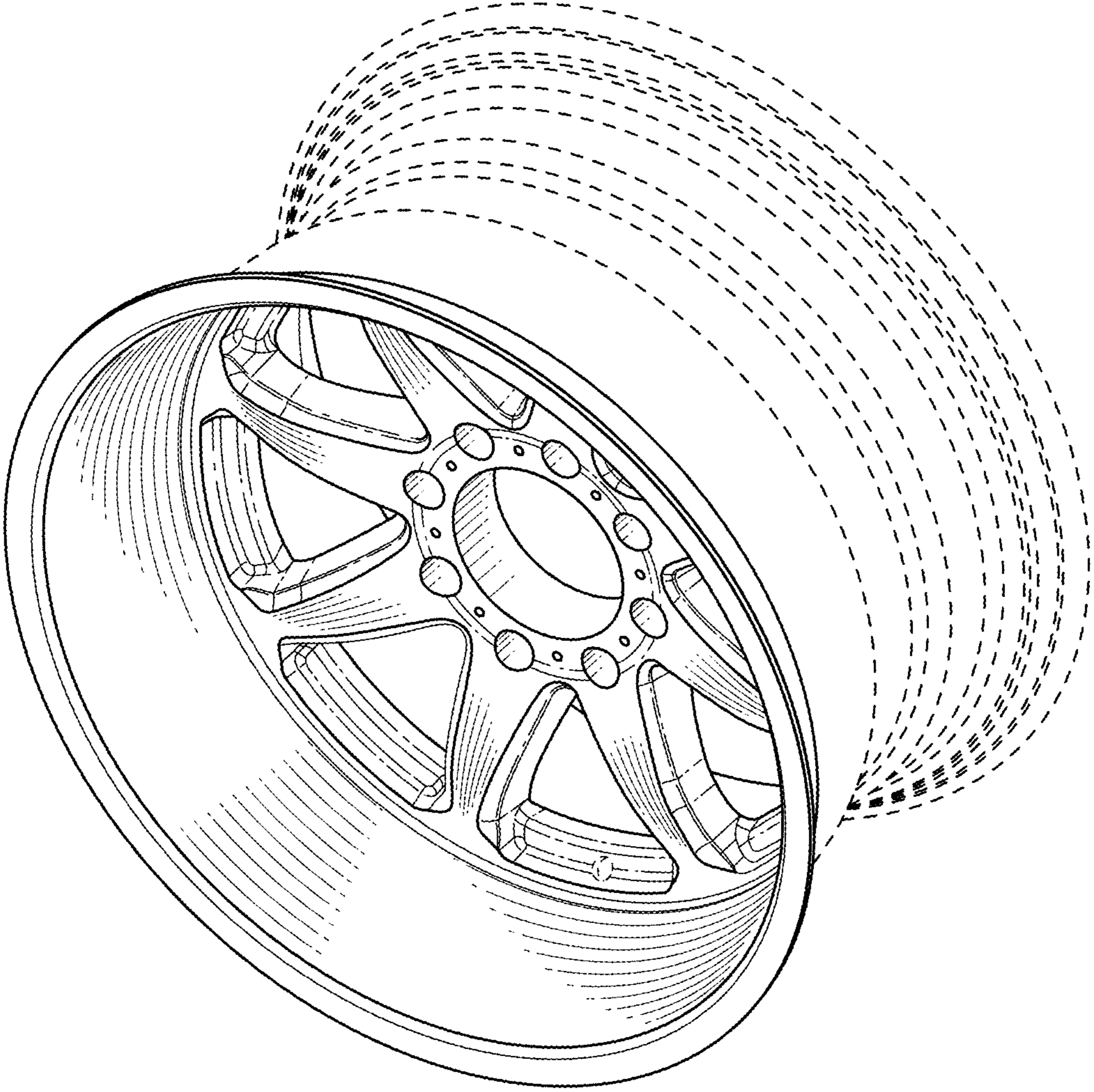


FIG. 1

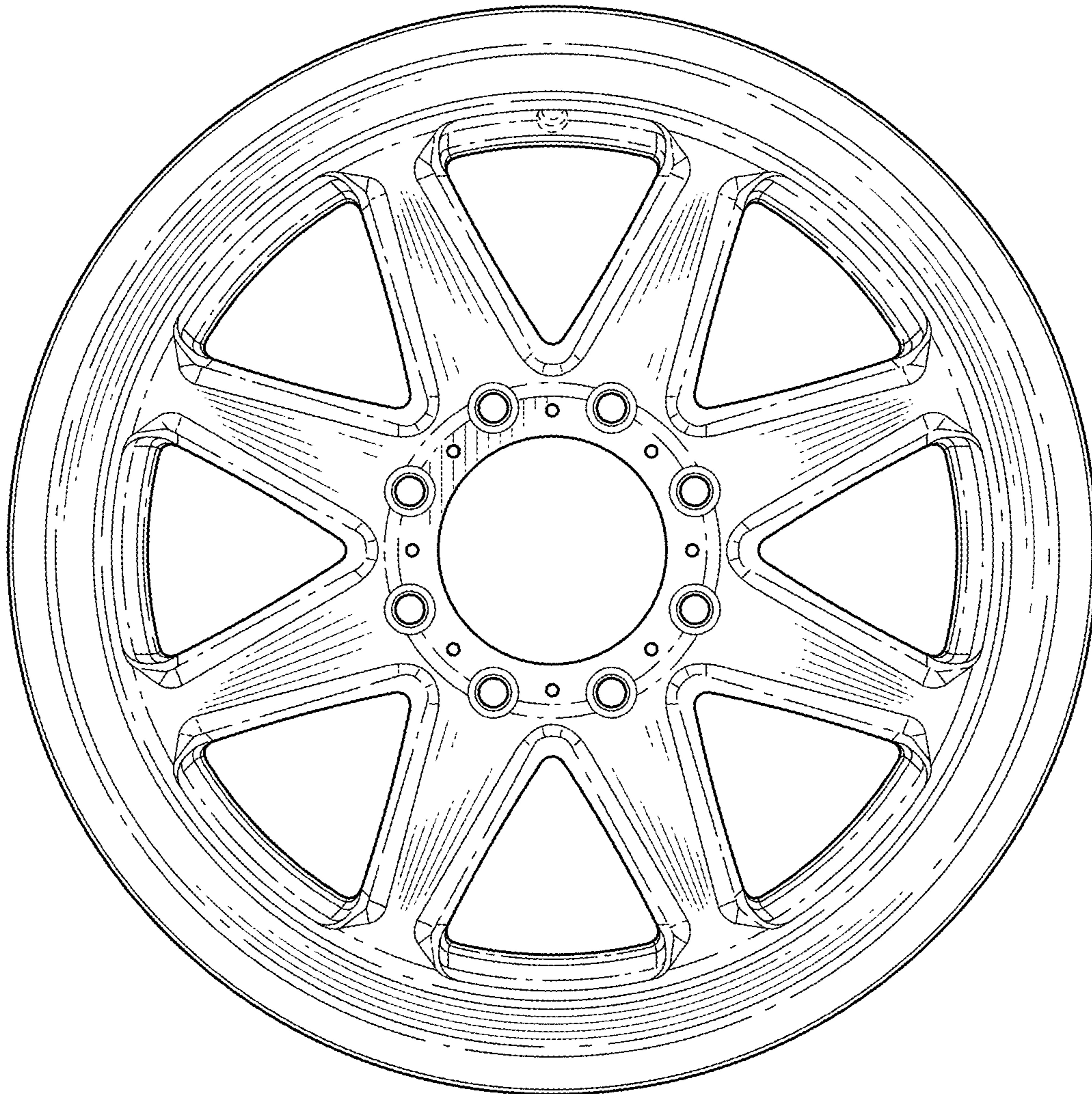


FIG. 2