



US00D920878S

(12) **United States Design Patent**
Kalha

(10) **Patent No.:** **US D920,878 S**

(45) **Date of Patent:** **** Jun. 1, 2021**

(54) **VEHICLE WHEEL RIM**
(71) Applicant: **VOLKSWAGEN AKTIENGESELLSCHAFT**,
Wolfsburg (DE)
(72) Inventor: **Ranbir Kalha**, Wolfsburg (DE)
(73) Assignee: **VOLKSWAGEN AKTIENGESELLSCHAFT**,
Wolfsburg (DE)
(**) Term: **15 Years**
(21) Appl. No.: **29/735,310**
(22) Filed: **May 20, 2020**

(30) **Foreign Application Priority Data**

Nov. 21, 2019 (DE) 40 2019 101 274.5

(51) **LOC (13) Cl.** **12-16**

(52) **U.S. Cl.**
USPC **D12/209**

(58) **Field of Classification Search**
USPC D12/204-213; D21/563
CPC B60B 7/00; B60B 7/02; B60B 7/04; B60B
7/01; B60B 7/06; B60B 3/02; B60B 3/04;
B60B 3/06; B60B 3/10; B60B 1/00;
B60B 1/08; B60B 1/10; B60B 1/12
See application file for complete search history.

(56) **References Cited**

U.S. PATENT DOCUMENTS

D581,337 S * 11/2008 Juergens D12/209
D631,812 S * 2/2011 Juergens D12/209
D631,814 S * 2/2011 Baum D12/209
D671,474 S * 11/2012 Juergens D12/209

D723,989 S * 3/2015 Morikawa D12/209
D752,499 S * 3/2016 Sze D12/211
D783,492 S * 4/2017 Valencia Pollex D12/209
D791,054 S * 7/2017 Valencia Pollex D12/211
D838,652 S * 1/2019 Kato D12/209
D862,352 S * 10/2019 Bjerke D12/209
D870,634 S * 12/2019 Tovey D12/209
D871,998 S * 1/2020 Liu D12/209
D880,395 S * 4/2020 Valencia Pollex D12/209
D884,575 S * 5/2020 Roselle Visa D12/209
D891,347 S * 7/2020 Huang D12/209
D893,382 S * 8/2020 Tanaka D12/209
D893,383 S * 8/2020 Tanaka D12/209
D893,385 S * 8/2020 Tanaka D12/209
D900,695 S * 11/2020 Vaya D12/209
D903,570 S * 12/2020 Myrberg D12/209
D904,269 S * 12/2020 Bjerke D12/209
D904,270 S * 12/2020 Bjerke D12/209
D913,895 S * 3/2021 Bjerke D12/209

FOREIGN PATENT DOCUMENTS

DE 402019101139 12/2019
WO DM203257 8/2019
WO DM203305 9/2019

* cited by examiner

Primary Examiner — Stacia A Cadmus

(74) *Attorney, Agent, or Firm* — Lucas & Mercanti, LLP;
Klaus P. Stoffel

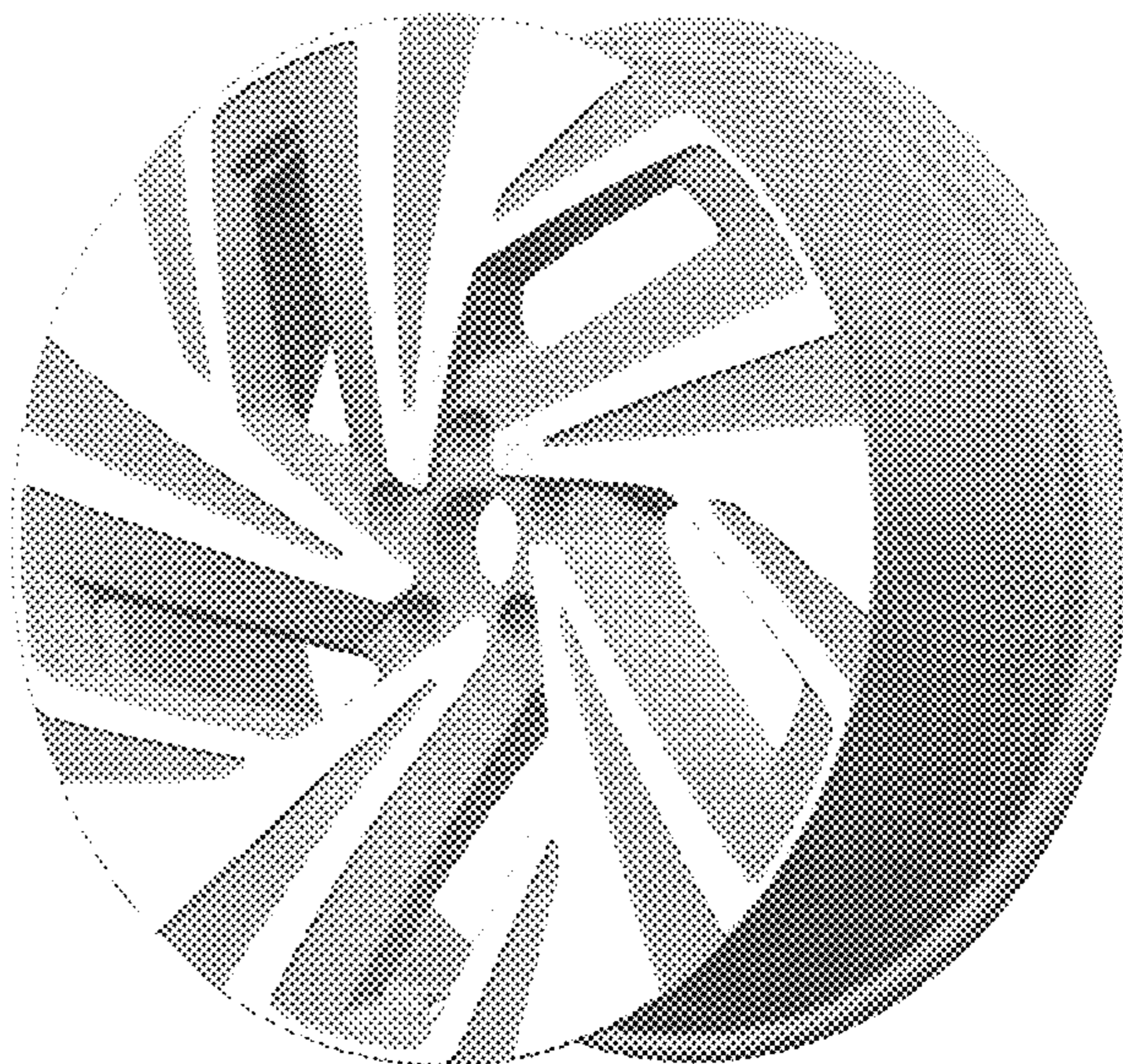
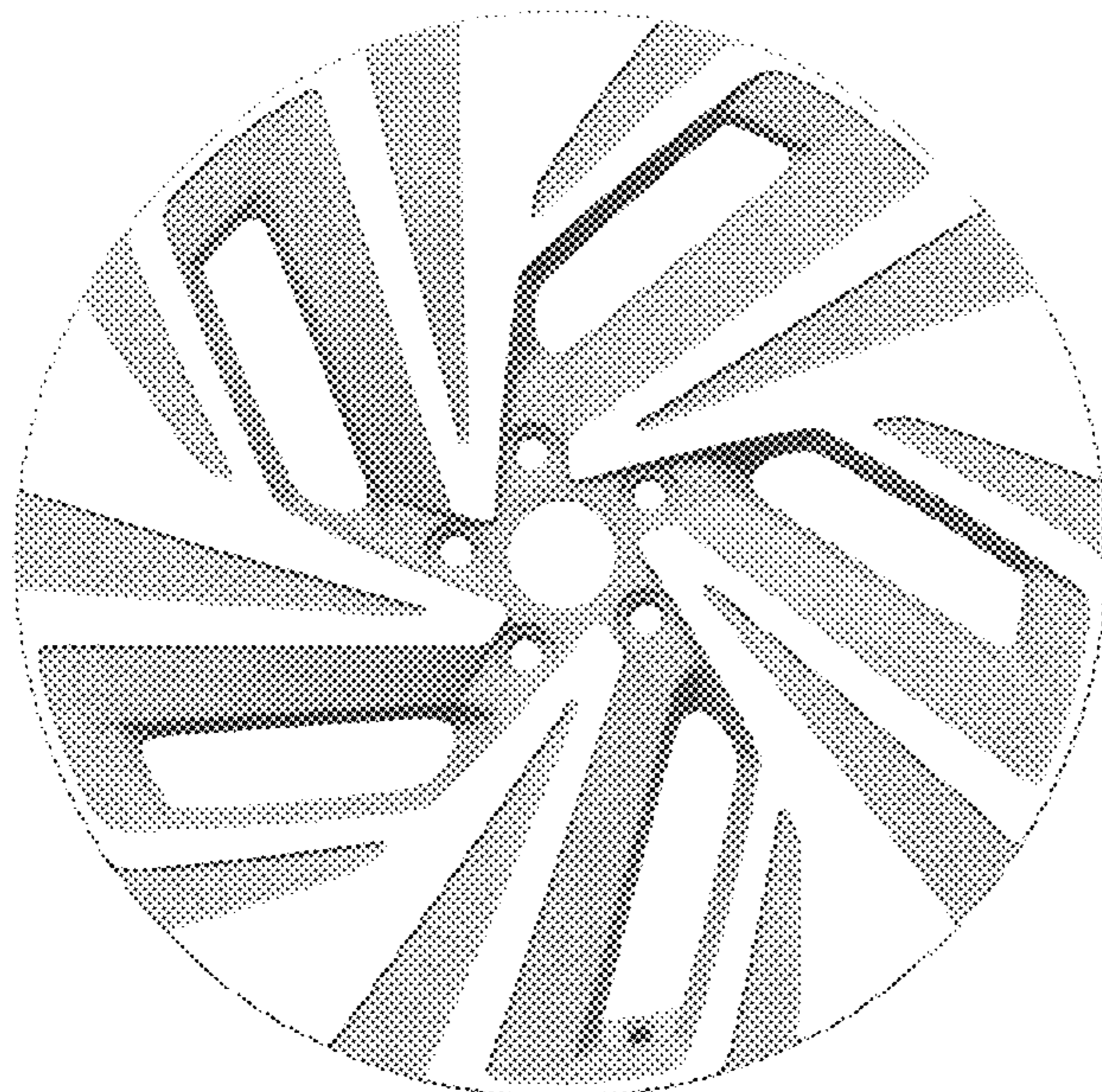
(57) **CLAIM**

The ornamental design for a vehicle wheel rim, as shown and described.

DESCRIPTION

FIG. 1 is a front view of the vehicle wheel rim of the present invention; and,
FIG. 2 is a front, side perspective view thereof.

1 Claim, 2 Drawing Sheets



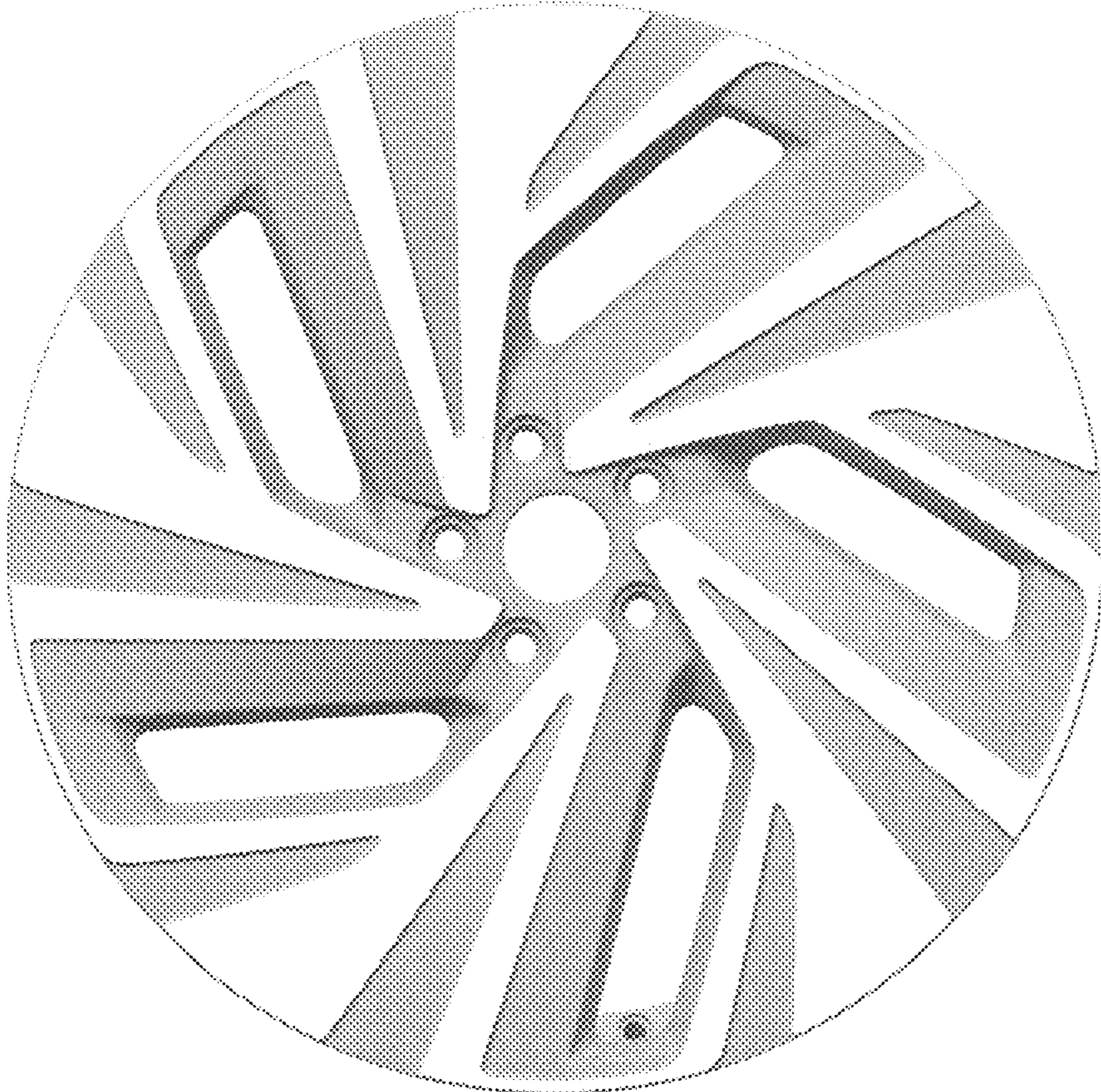


FIG. 1

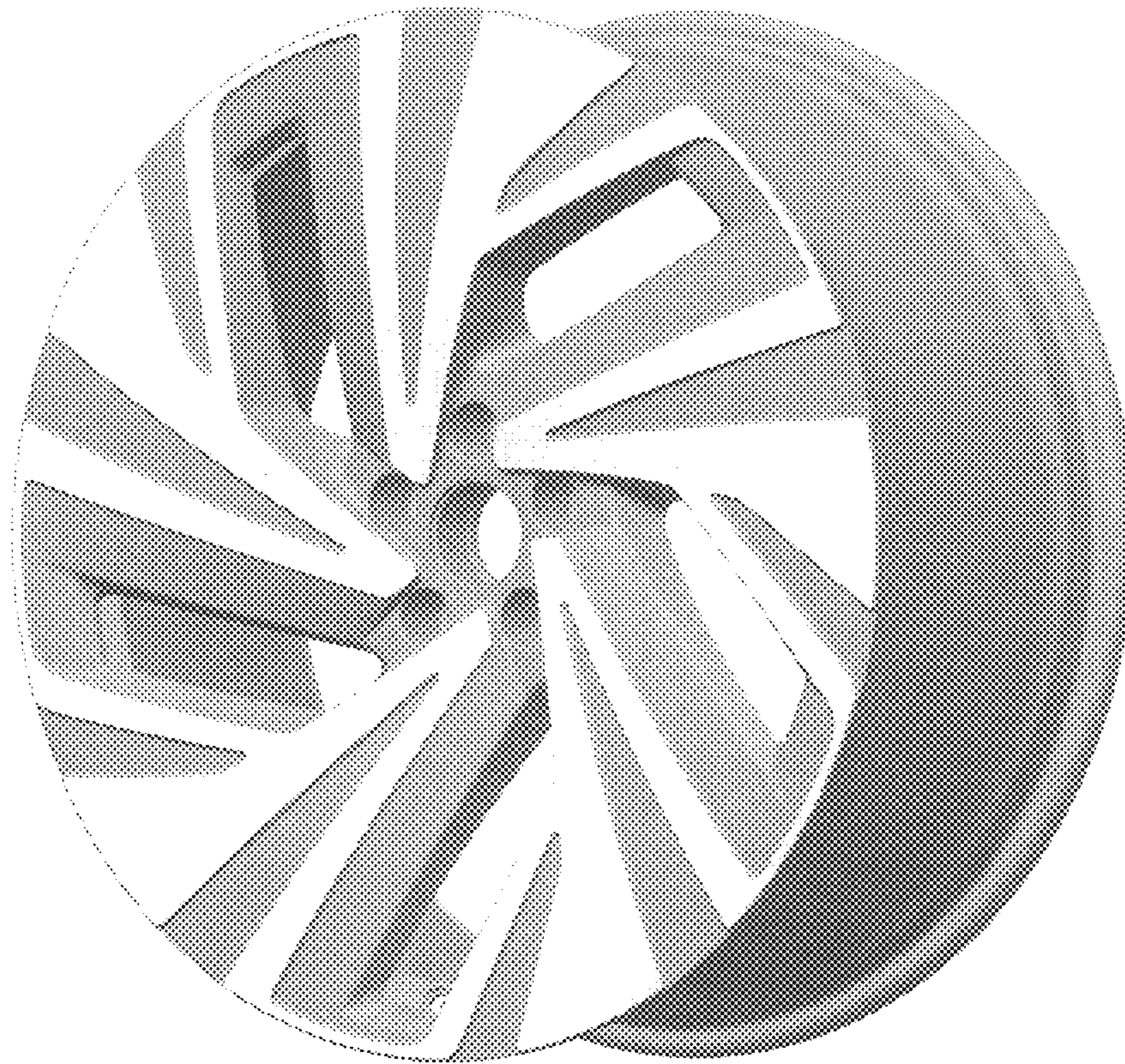


FIG. 2