



US00D920877S

(12) **United States Design Patent**  
**Sittler**

(10) **Patent No.:** **US D920,877 S**

(45) **Date of Patent:** **\*\* Jun. 1, 2021**

(54) **VEHICLE WHEEL RIM**

(71) Applicant: **VOLKSWAGEN**  
**AKTIENGESELLSCHAFT,**  
Wolfsburg (DE)

(72) Inventor: **Thomas Sittler,** Wolfsburg (DE)

(73) Assignee: **VOLKSWAGEN**  
**AKTIENGESELLSCHAFT,**  
Wolfsburg (DE)

(\*\*) Term: **15 Years**

(21) Appl. No.: **29/735,307**

(22) Filed: **May 20, 2020**

(30) **Foreign Application Priority Data**

Nov. 21, 2019 (DE) ..... 40 2019 101 274.5

(51) **LOC (13) Cl.** ..... **12-16**

(52) **U.S. Cl.**  
USPC ..... **D12/209**

(58) **Field of Classification Search**  
USPC ..... D12/204-213; D21/563  
CPC .... B60B 7/00; B60B 7/02; B60B 7/04; B60B  
7/01; B60B 7/06; B60B 3/02; B60B 3/04;  
B60B 3/06; B60B 3/10; B60B 1/00;  
B60B 1/08; B60B 1/10; B60B 1/12  
See application file for complete search history.

(56) **References Cited**

**U.S. PATENT DOCUMENTS**

D581,337 S \* 11/2008 Juergens ..... D12/209  
D631,812 S \* 2/2011 Juergens ..... D12/209  
D631,814 S \* 2/2011 Baum ..... D12/209

D671,474 S \* 11/2012 Juergens ..... D12/209  
D723,989 S \* 3/2015 Morikawa ..... D12/209  
D752,499 S \* 3/2016 Sze ..... D12/211  
D783,492 S \* 4/2017 Valencia Pollex ..... D12/209  
D791,054 S \* 7/2017 Valencia Pollex ..... D12/211  
D838,652 S \* 1/2019 Kato ..... D12/209  
D862,352 S \* 10/2019 Bjerke ..... D12/209  
D870,634 S \* 12/2019 Tovey ..... D12/209  
D871,998 S \* 1/2020 Liu ..... D12/209  
D880,395 S \* 4/2020 Valencia Pollex ..... D12/209  
D884,575 S \* 5/2020 Rosello Visa ..... D12/209  
D891,347 S \* 7/2020 Huang ..... D12/209  
D893,382 S \* 8/2020 Tanaka ..... D12/209  
D893,383 S \* 8/2020 Tanaka ..... D12/209  
D893,385 S \* 8/2020 Tanaka ..... D12/209  
D900,695 S \* 11/2020 Vaya ..... D12/209  
D903,570 S \* 12/2020 Myrberg ..... D12/209  
D904,269 S \* 12/2020 Bjerke ..... D12/209  
D904,270 S \* 12/2020 Bjerke ..... D12/209  
D913,895 S \* 3/2021 Bjerke ..... D12/209

**FOREIGN PATENT DOCUMENTS**

WO DM203257 8/2019  
WO DM203305 9/2019

\* cited by examiner

*Primary Examiner* — Stacia A Cadmus

(74) *Attorney, Agent, or Firm* — Lucas & Mercanti, LLP;  
Klaus P. Stoffel

(57) **CLAIM**

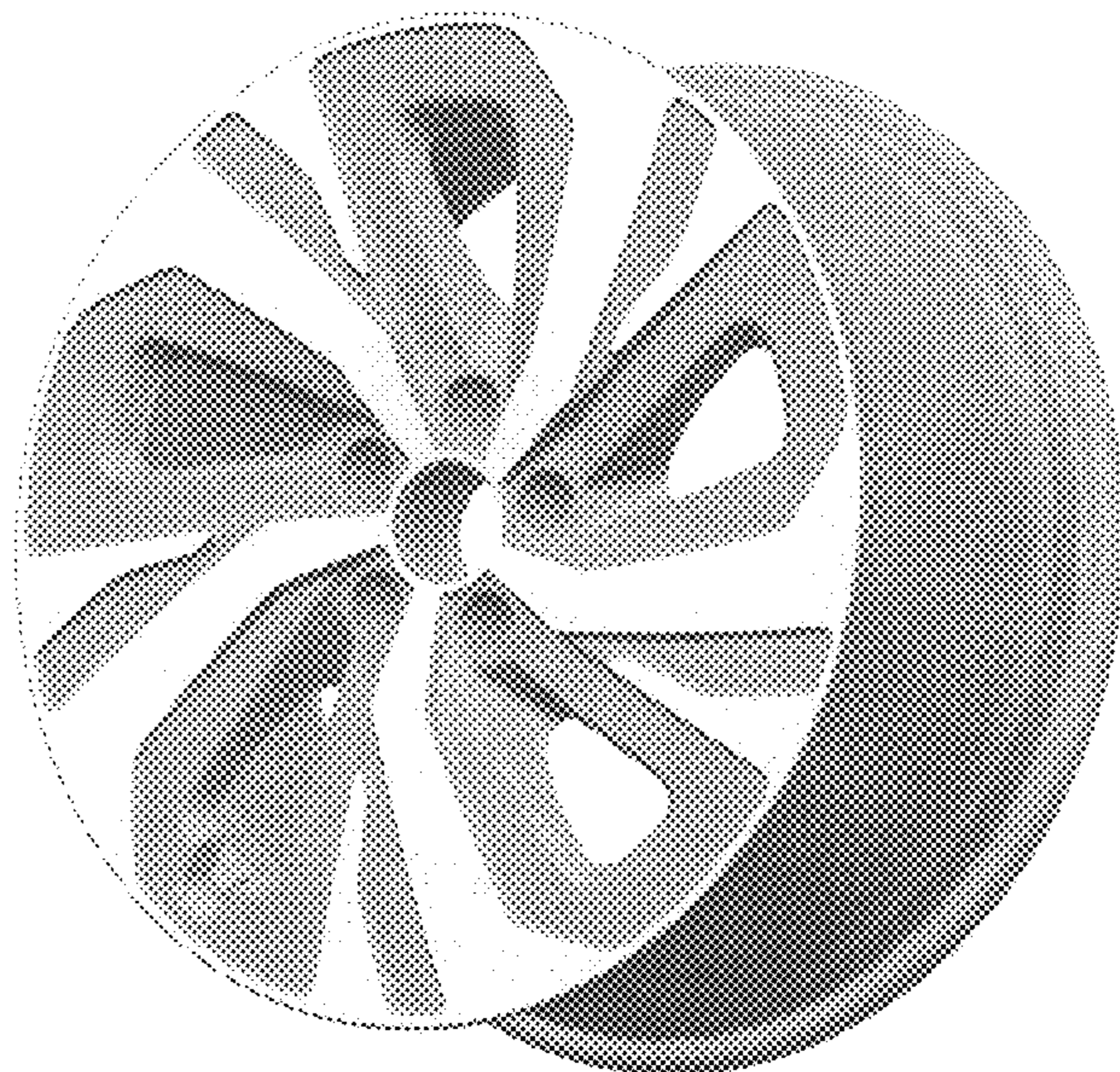
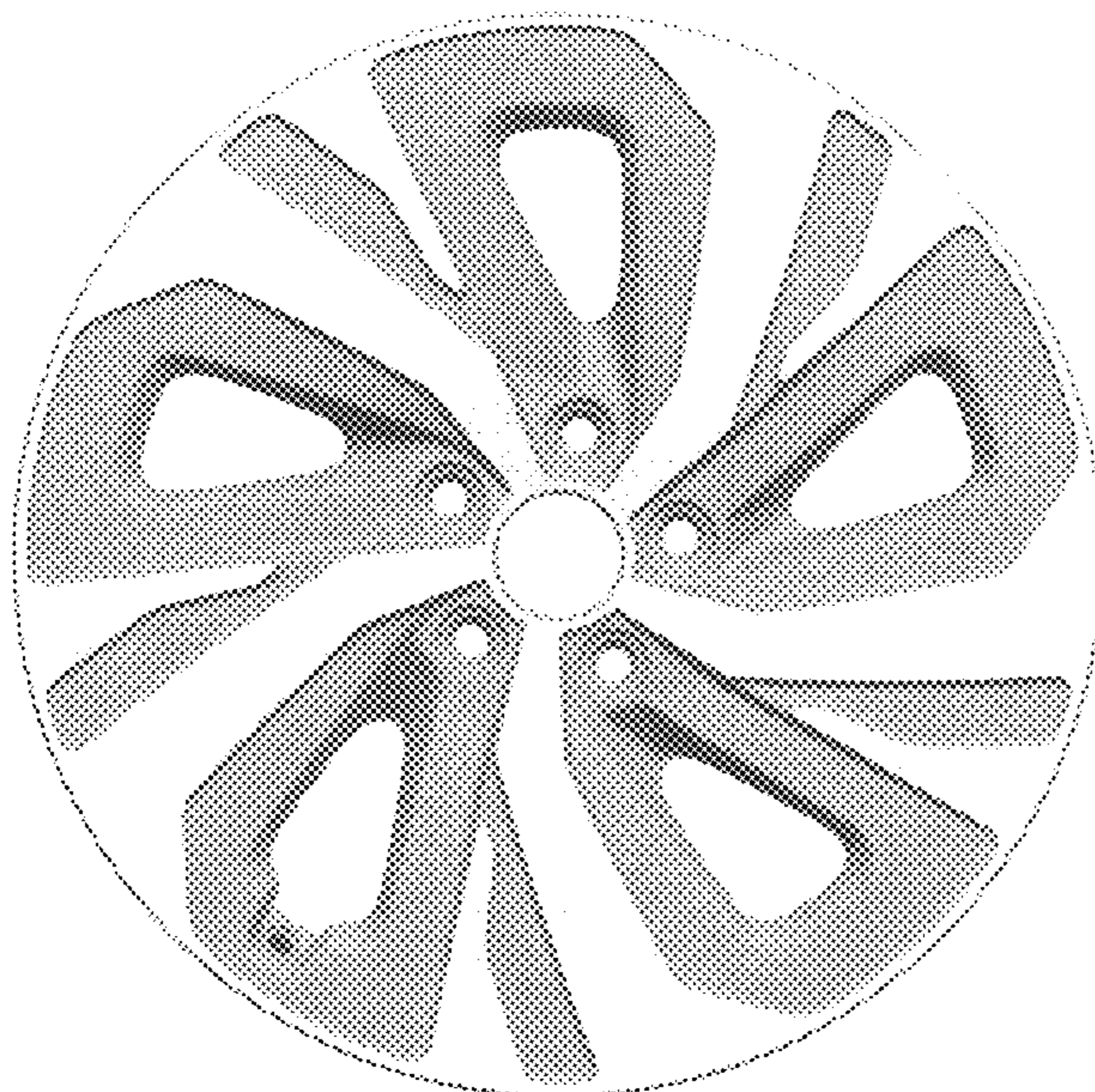
The ornamental design for a vehicle wheel rim, as shown and described.

**DESCRIPTION**

FIG. 1 is a front view of the vehicle wheel rim of the present invention; and,

FIG. 2 is a front, side perspective view thereof.

**1 Claim, 2 Drawing Sheets**



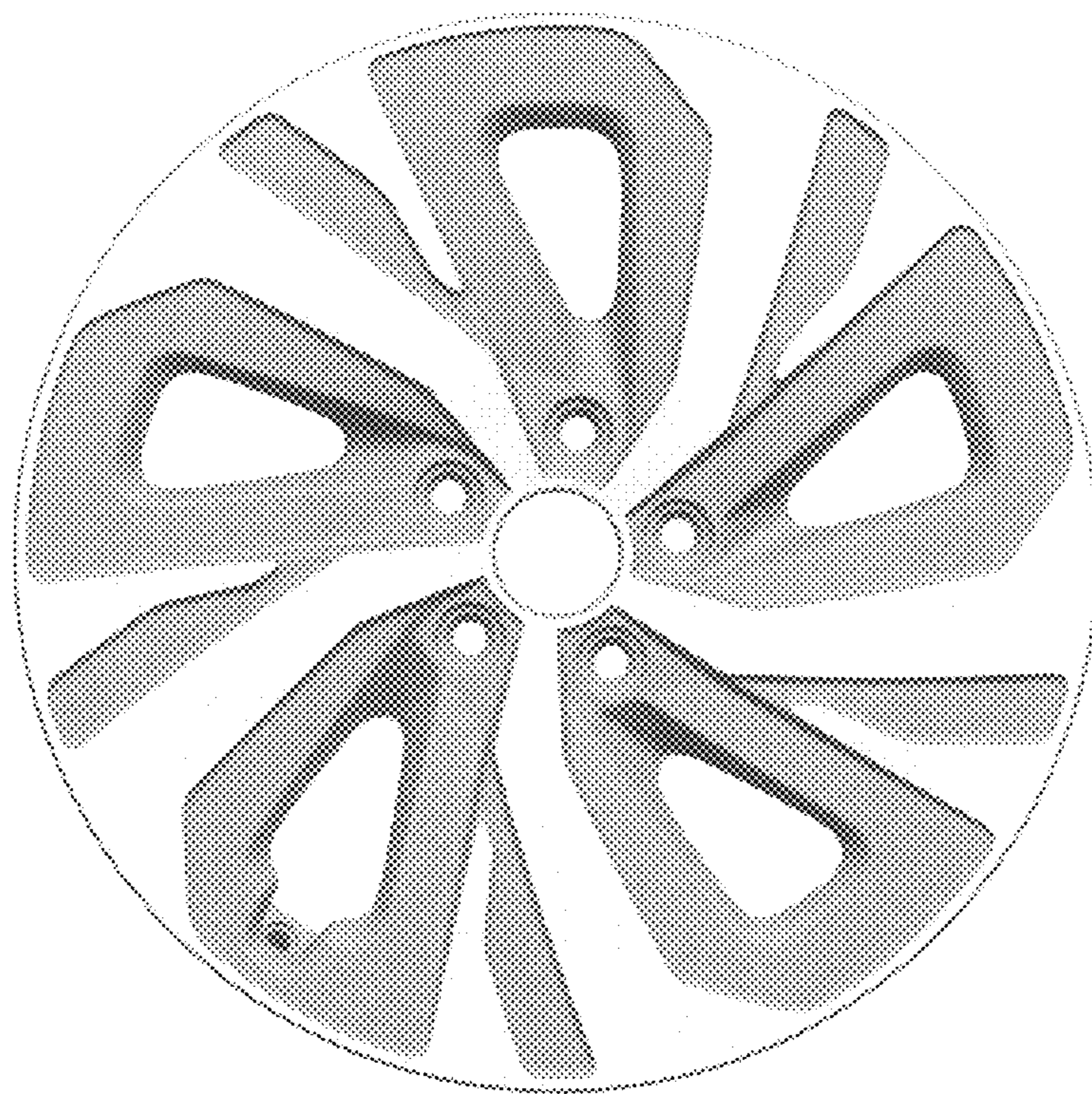


FIG. 1

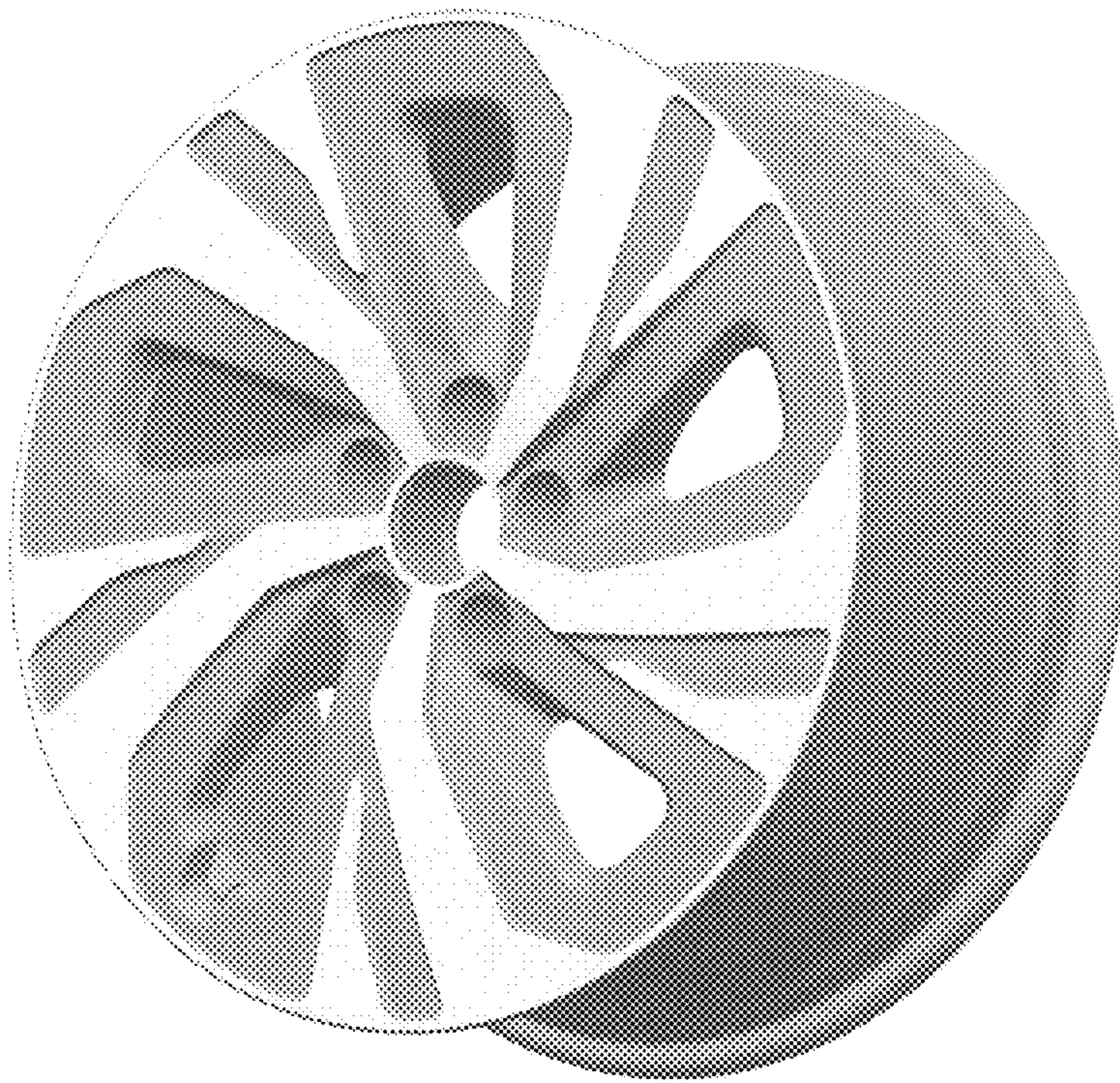


FIG. 2