



US00D920872S

(12) **United States Design Patent**
Myrberg

(10) **Patent No.:** **US D920,872 S**

(45) **Date of Patent:** **** Jun. 1, 2021**

(54) **VEHICLE RIM**

(71) Applicant: **Polestar Performance AB**, Gothenburg (SE)

(72) Inventor: **Anders Myrberg**, Askim (SE)

(73) Assignee: **POLESTAR PERFORMANCE AB**, Gothenburg (SE)

(**) Term: **15 Years**

(21) Appl. No.: **29/702,379**

(22) Filed: **Aug. 19, 2019**

(30) **Foreign Application Priority Data**

Feb. 22, 2019 (EM) 006265542-0003

(51) **LOC (13) Cl.** **12-16**

(52) **U.S. Cl.**
USPC **D12/209**

(58) **Field of Classification Search**

USPC D12/204–213; D21/563
CPC B60B 7/00; B60B 7/02; B60B 7/04; B60B 7/01; B60B 7/06; B60B 3/02; B60B 3/04; B60B 3/06; B60B 3/10; B60B 1/00; B60B 1/08; B60B 1/10; B60B 1/12

See application file for complete search history.

(56) **References Cited**

U.S. PATENT DOCUMENTS

D256,576 S *	8/1980	Koch	D12/209
D444,117 S *	6/2001	Mantion	D12/211
D476,939 S *	7/2003	Francis	D12/209
D478,539 S *	8/2003	Brown	D12/209
D481,983 S *	11/2003	Lee	D12/211
D519,431 S *	4/2006	Francis	D12/209
D541,727 S *	5/2007	Saunders	D12/213
D548,160 S *	8/2007	Viandante	D12/209
D577,650 S *	9/2008	Chung	D12/211
D613,659 S *	4/2010	Cortes	D12/209

D620,422 S *	7/2010	George	D12/209
D623,998 S *	9/2010	Holstein	D12/209
D659,628 S *	5/2012	Pollmann	D12/211
D667,356 S *	9/2012	Gotschke	D12/211
D675,144 S *	1/2013	Mueller-Stolz	D12/211
D677,609 S *	3/2013	Sabblah	D12/209
D689,810 S *	9/2013	Mindt	D12/209
D697,009 S *	1/2014	Pollmann	D12/209
D710,779 S *	8/2014	Zhang	D12/209
D780,085 S *	2/2017	Bjerke	D12/209

(Continued)

FOREIGN PATENT DOCUMENTS

EM	00007570-0069	5/2003
EM	00724828-0001	6/2007

(Continued)

OTHER PUBLICATIONS

ADAC, Citroen Berlingo Review, 2018 <https://www.adac.de/rundums-fahrzeug/autokatalog/marken-modelle/citroen/berlingo/3generation/292035/>.

(Continued)

Primary Examiner — Stacia A Cadmus

(74) *Attorney, Agent, or Firm* — Berenato & White, LLC

(57) **CLAIM**

The ornamental design for a vehicle rim, as shown.

DESCRIPTION

FIG. 1 is a front view of a vehicle rim showing my new design;

FIG. 2 is a right perspective view thereof;

FIG. 3 is a left perspective view thereof;

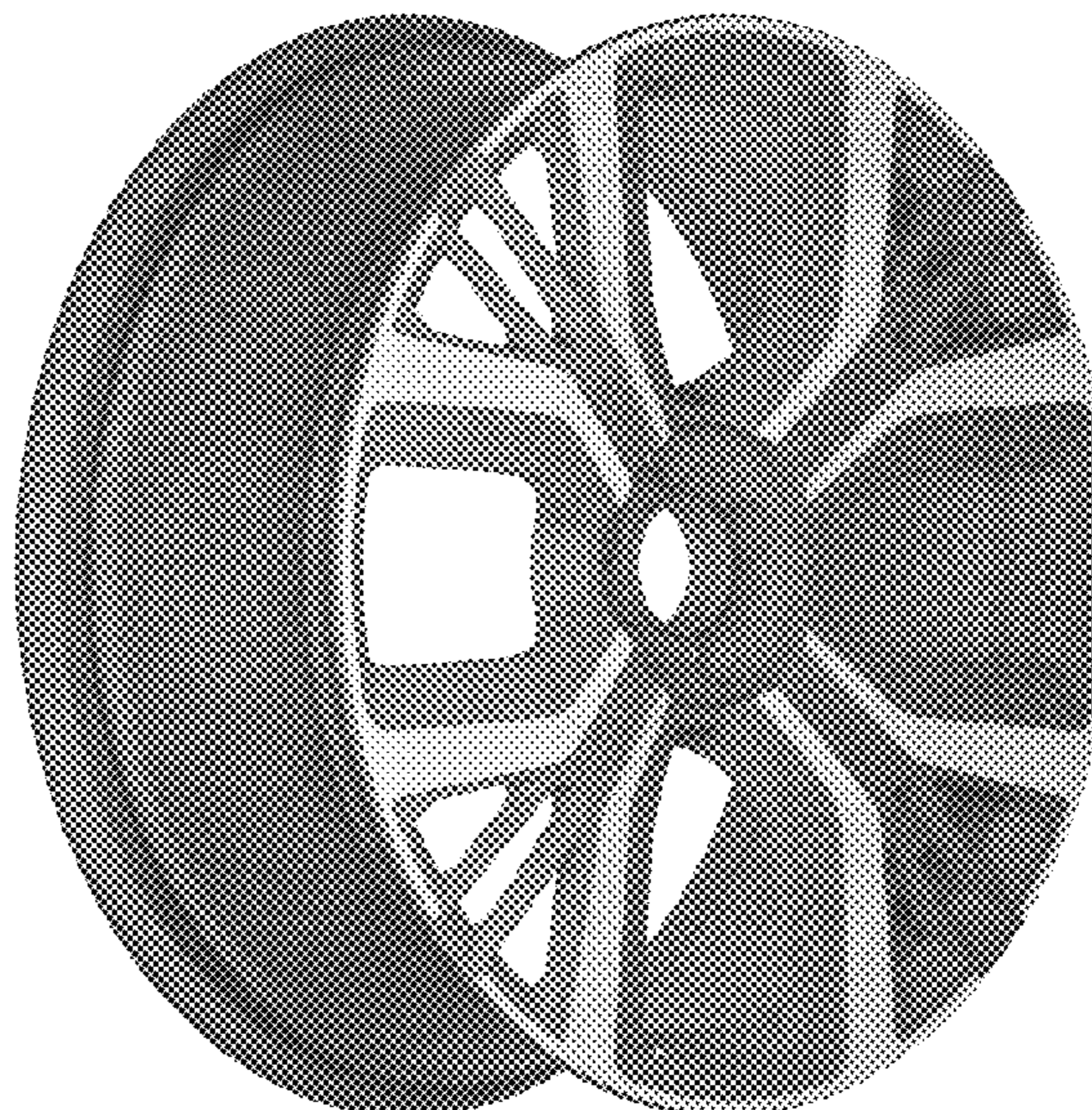
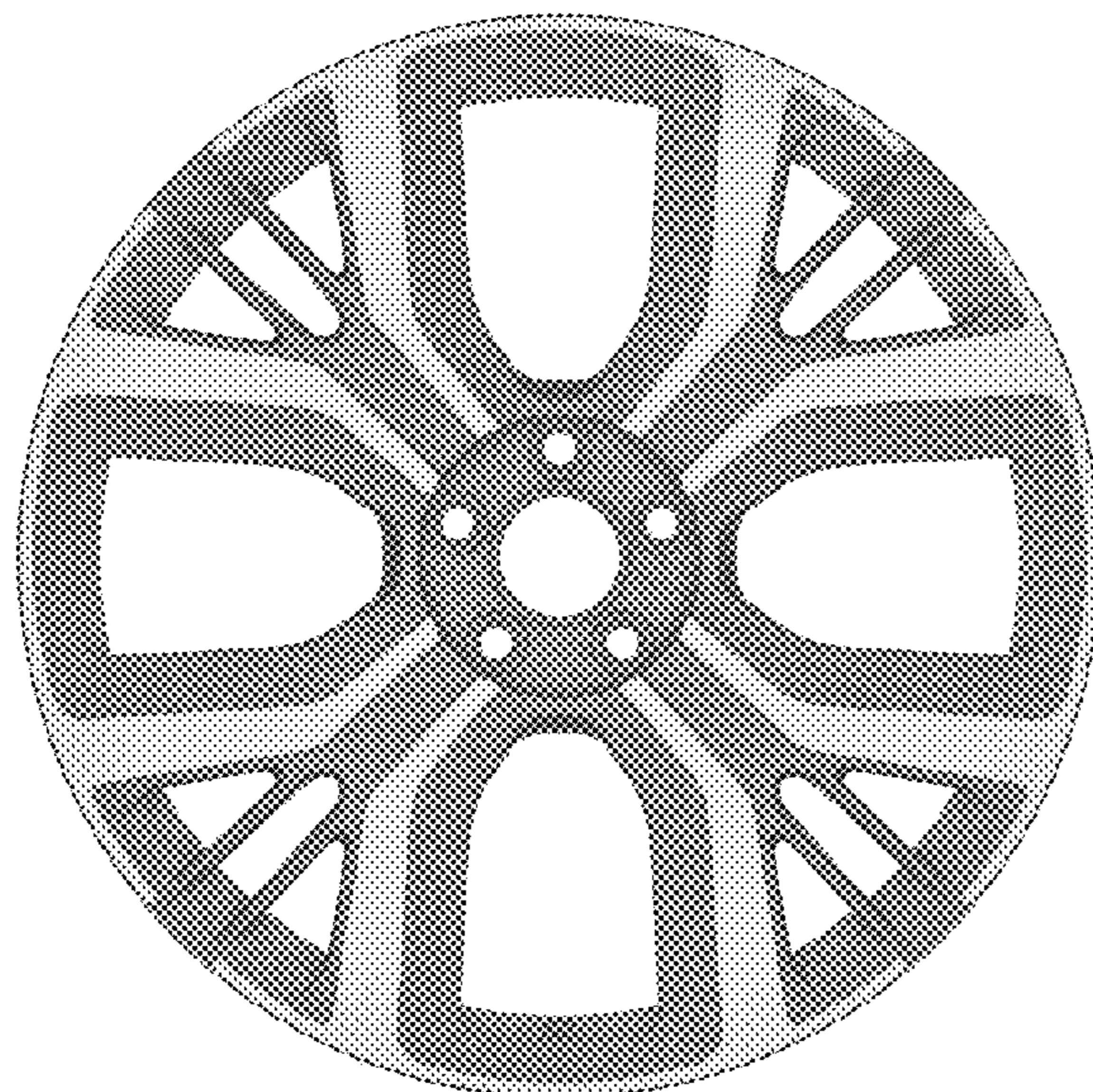
FIG. 4 is a right side view thereof;

FIG. 5 is a left side view thereof;

FIG. 6 is a top view thereof; and,

FIG. 7 is a bottom view thereof.

1 Claim, 7 Drawing Sheets



(56)

References Cited

U.S. PATENT DOCUMENTS

D851,570 S *	6/2019	Zhen	D12/209
D877,029 S *	3/2020	Grewer	D12/209
D883,887 S *	5/2020	Liu	D12/209
D884,572 S *	5/2020	Steinhoff	D12/209
D889,356 S *	7/2020	Han	D12/209
D906,930 S *	1/2021	Ma	D12/209
D906,935 S *	1/2021	Li	D12/209

FOREIGN PATENT DOCUMENTS

EM	00774849-0002	10/2007
EM	00879234-0003	3/2008
EM	01019426-0003	10/2008
EM	01019426-0006	10/2008
EM	01019426-0019	10/2008
EM	01222871-0001	7/2010
EM	01782327-0001	11/2010
EM	01826058-0016	3/2011
EM	002134817-0002	1/2013
EM	02434340-0023	4/2014
EM	02434340-0034	4/2014
EM	002205542-0013	8/2014
EM	02561126-0004	11/2014
EM	002053256-0004	12/2014
EM	002156554-0004	12/2014
EM	002205740-0001	3/2015
EM	002205740-0008	3/2015
EM	002187872-0001	5/2015
EM	01398986-0013	7/2016
EM	002519108-0001	8/2016
EM	003225143-0010	9/2016
EM	03081462-0006	10/2016
EM	002560201-0003	4/2017
EM	02560201-0012	4/2017
EM	03760933-0001	4/2017
EM	04245108-0003	11/2017
EM	003299338-0004	7/2018
EM	005270907-0007	7/2018
EM	005270907-0009	7/2018
EM	03994797-0003	10/2018
EM	006265542-0004	3/2019
WO	00045118-0006	11/1998

WO	00045118-0007	11/1998
WO	00064330-0005	10/2003
WO	00079881-0001	4/2013
WO	00079881-0006	4/2013
WO	00084407-0012	3/2015
WO	00084407-0013	3/2015
WO	00084906-0001	5/2015
WO	00084906-0002	5/2015
WO	00086196-0001	5/2015
WO	00086196-0002	5/2015
WO	00094213-0008	6/2017
WO	00099037-0003	12/2017

OTHER PUBLICATIONS

ADAC, Citroen C3 PureTech VTi 82 Tendance, Review, Apr. 2013 <https://www.adac.de/rund-ums-fahrzeug/autokatalog/marken-modelle/citroen/c3/2generation-facelift/235961/>.

Auto Bild News, C3 Picasso im 4x4-Look, Apr. 2010 <https://www.autobild.de/artikel/citroen-c3-picasso-aircross-1154160.html>.

L'Automobile Magazine, Envie d'ailleurs, Apr. 2010 <https://www.automobile-magazine.fr/toutel-actualite/article/5797-actualites-citroen-citroen-c3-picasso-aircross>.

Citroen Origin, C1 2.Generation, 2014 <http://www.citroenorigins.de/de/autos/c1-2-generation>.

Citroen Origin, C5 Aircross SUV, 2018 <http://www.citroenorigins.de/de/autos/c5-aircross>.

Citroen C3 & Sondermodell Selection, Nov. 2014 http://citroen-de.de.custhelp.com/euf/assets/images/allemanne/citroen/files_download_center/C3/AktuelleProspektePreislisten/C3_Selection_Stand_01.11.14.pdf.

xcar.com.cn, Dongfeng Citroen, 2015 http://newcar.xcar.com.cn/201511/news_1882888_1.html.

Auto Zeitung, Citroen C1, 2014 <https://www.autozeitung.de/citroen-c1-2014-genfer-autosalon-kleinwagen-73963.html?image=0>.

Motor1.com, Citroën Berlingo Review, 2018 <https://de.motor1.com/reviews/249980/citroen-berlingo-2018-test-preise/>.

MotorMobiles.de, Citroen C5 Aircross, 2017 <https://www.motormobiles.de/shanghai-2017-weltpremiere-citroen-c5-aircross/>.

TopSpeed.com, Citroen C5 Aircross, 2018 <https://www.topspeed.com/cars/car-news/citroen-c5-aircross-bows-in-china-comes-to-europe-in-2018-ar176421.html>.

* cited by examiner

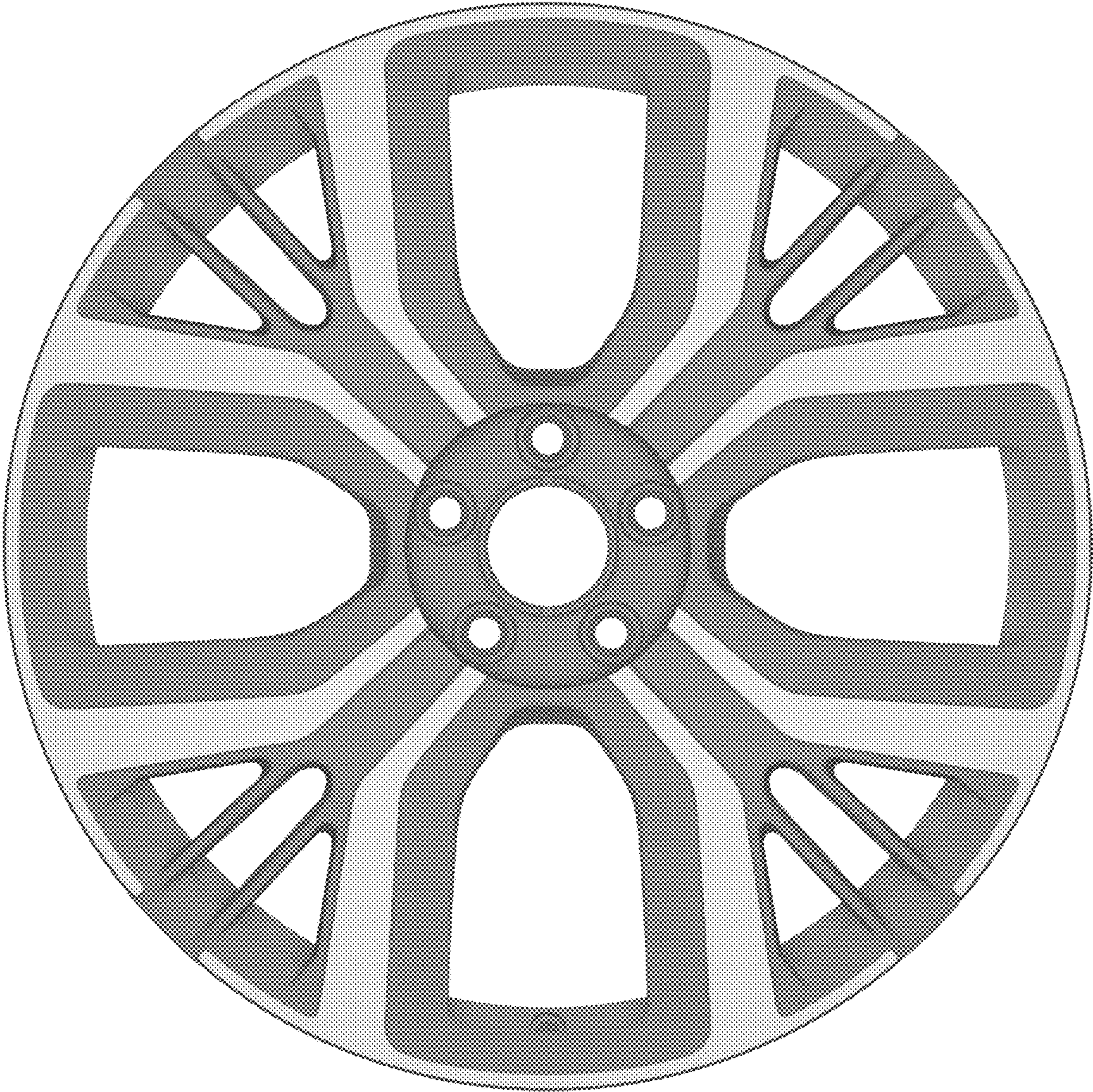


FIG. 1



FIG. 2



FIG. 3

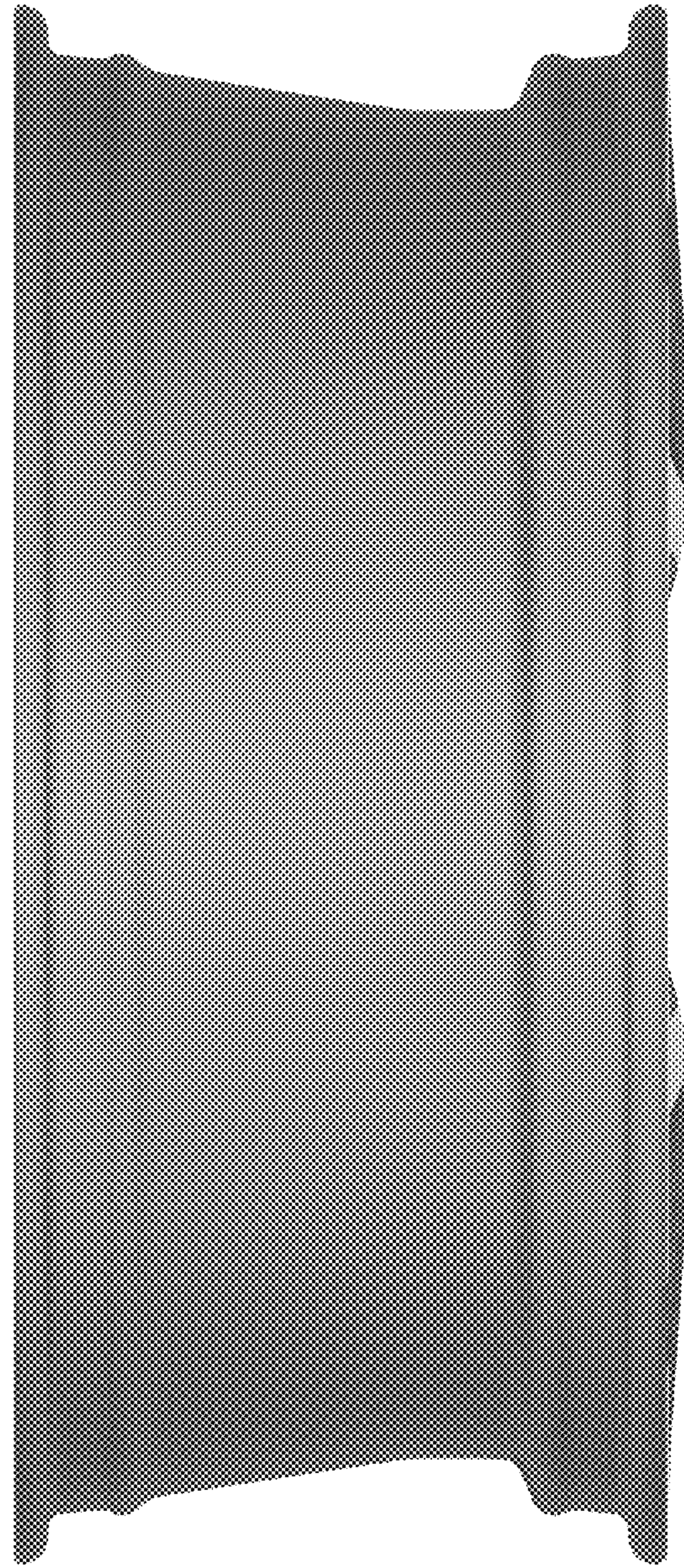


FIG. 4

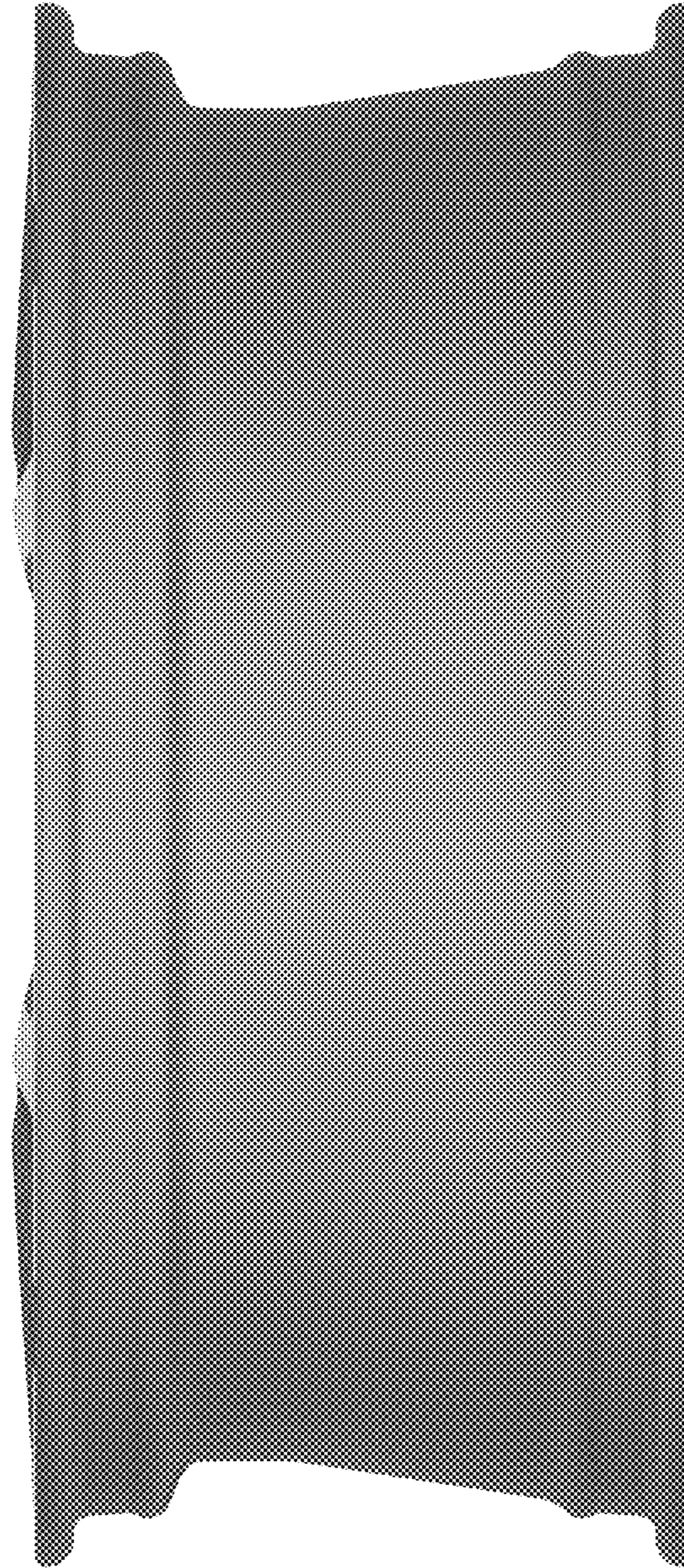


FIG. 5

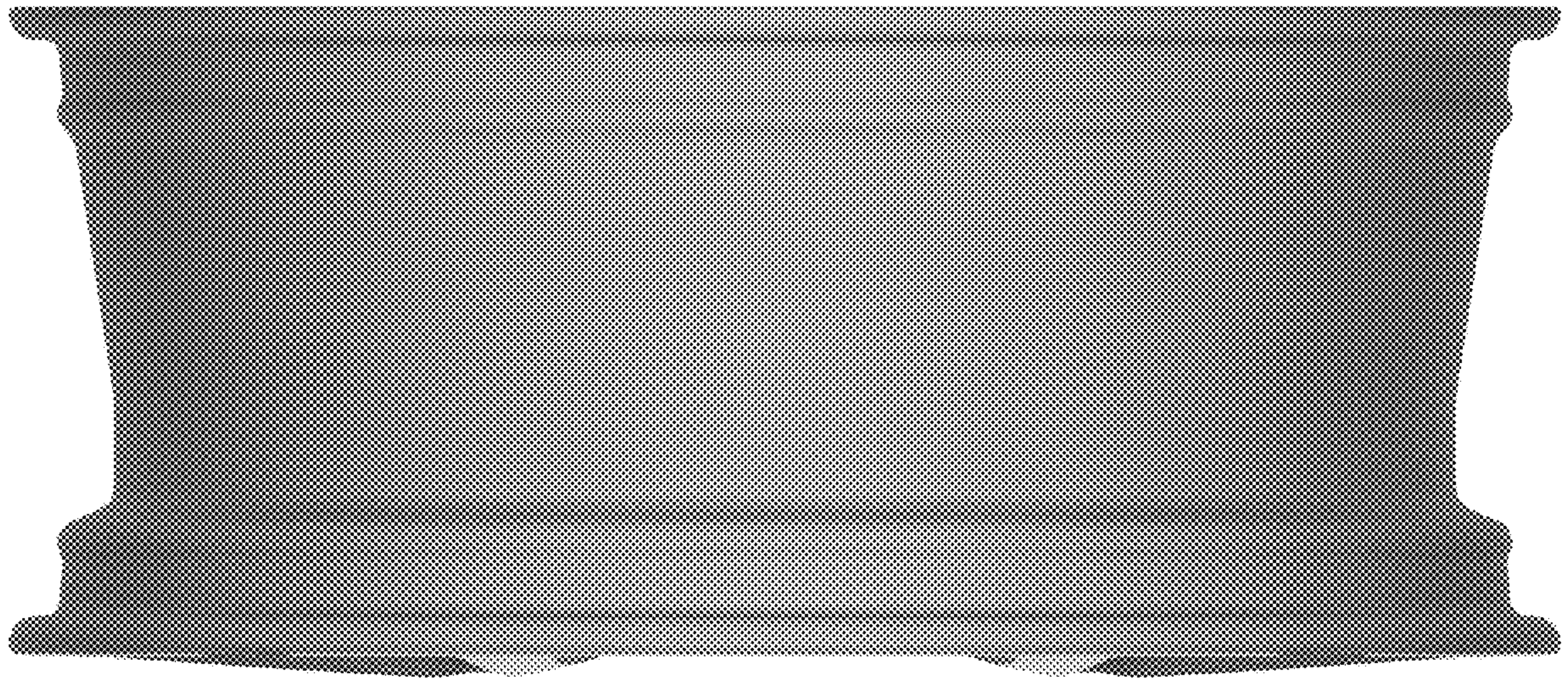


FIG. 6

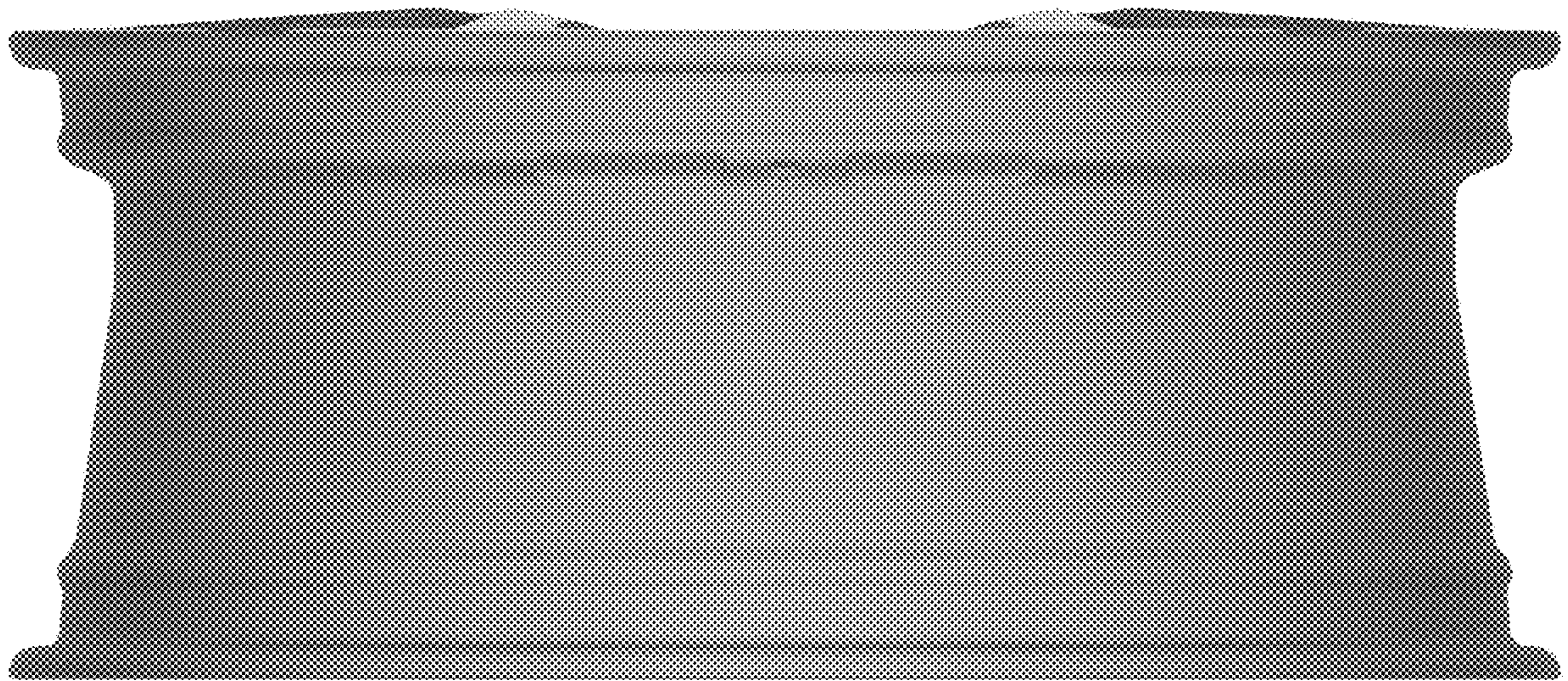


FIG. 7