



US00D920864S

(12) **United States Design Patent**  
**Kentley-Klay et al.**

(10) **Patent No.:** **US D920,864 S**  
(45) **Date of Patent:** **\*\* Jun. 1, 2021**

(54) **WINDSCREEN**

(71) Applicant: **Zoox, Inc.**, Foster City, CA (US)

(72) Inventors: **Timothy David Kentley-Klay**,  
Stanford, CA (US); **Nahuel Elias Battaglia**,  
Stanford, CA (US); **Herman Francisco Delos Santos**,  
Redwood City, CA (US); **Richard Luke Osellame**,  
Redwood City, CA (US); **Christopher John Stoffel**,  
San Carlos, CA (US)

(73) Assignee: **Zoox, Inc.**, Foster City, CA (US)

(\*\*) Term: **15 Years**

(21) Appl. No.: **29/655,137**

(22) Filed: **Jun. 29, 2018**

(51) **LOC (13) Cl.** ..... **12-16**

(52) **U.S. Cl.**  
USPC ..... **D12/182**

(58) **Field of Classification Search**  
USPC ..... D12/182–183, 317, 82, 84, 86, 93, 185,  
D12/187; 219/203; 296/84.1, 96.19,  
296/97.1, 95.1, 96.12, 96.18, 97.2;  
160/370.21, 370.22; 428/155, 172;  
D21/424–425  
CPC ..... B60J 1/00; B60J 1/001; B60J 1/002; B60J  
1/02; B60J 1/18; B60J 10/70; C23C  
14/10; B32B 3/00; B32B 3/02; B32B  
3/06; B32B 17/0036

See application file for complete search history.

(56) **References Cited**

**U.S. PATENT DOCUMENTS**

D312,440 S \* 11/1990 Svensson ..... D12/182  
D792,820 S \* 7/2017 Grech ..... D12/182  
D818,913 S \* 5/2018 Grech ..... D12/182

**OTHER PUBLICATIONS**

Chinese Office Action dated Dec. 23, 2019 for Chinese Patent Application No. 201830770714.X, a foreign counterpart of the U.S. Appl. No. 29/655,137, 3 pages.

(Continued)

*Primary Examiner* — Abraham Bahta

(74) *Attorney, Agent, or Firm* — Lee & Hayes, P.C.

(57) **CLAIM**

The ornamental design for a windscreen, as shown and described.

**DESCRIPTION**

This application is related to U.S. patent application Ser. No. 29/655,062, entitled “Vehicle,” filed Jun. 29, 2018, the entire contents of which are incorporated herein by reference.

FIG. 1 is a front perspective view of a first embodiment of a windscreen;

FIG. 2 is a front view thereof;

FIG. 3 is a back view thereof;

FIG. 4 is a left-side view thereof;

FIG. 5 is a right-side view thereof;

FIG. 6 is a top view thereof;

FIG. 7 is a bottom view thereof;

FIG. 8 is a front perspective view of a second embodiment of a windscreen;

FIG. 9 is a front view thereof;

FIG. 10 is a back view thereof;

FIG. 11 is a left-side view thereof;

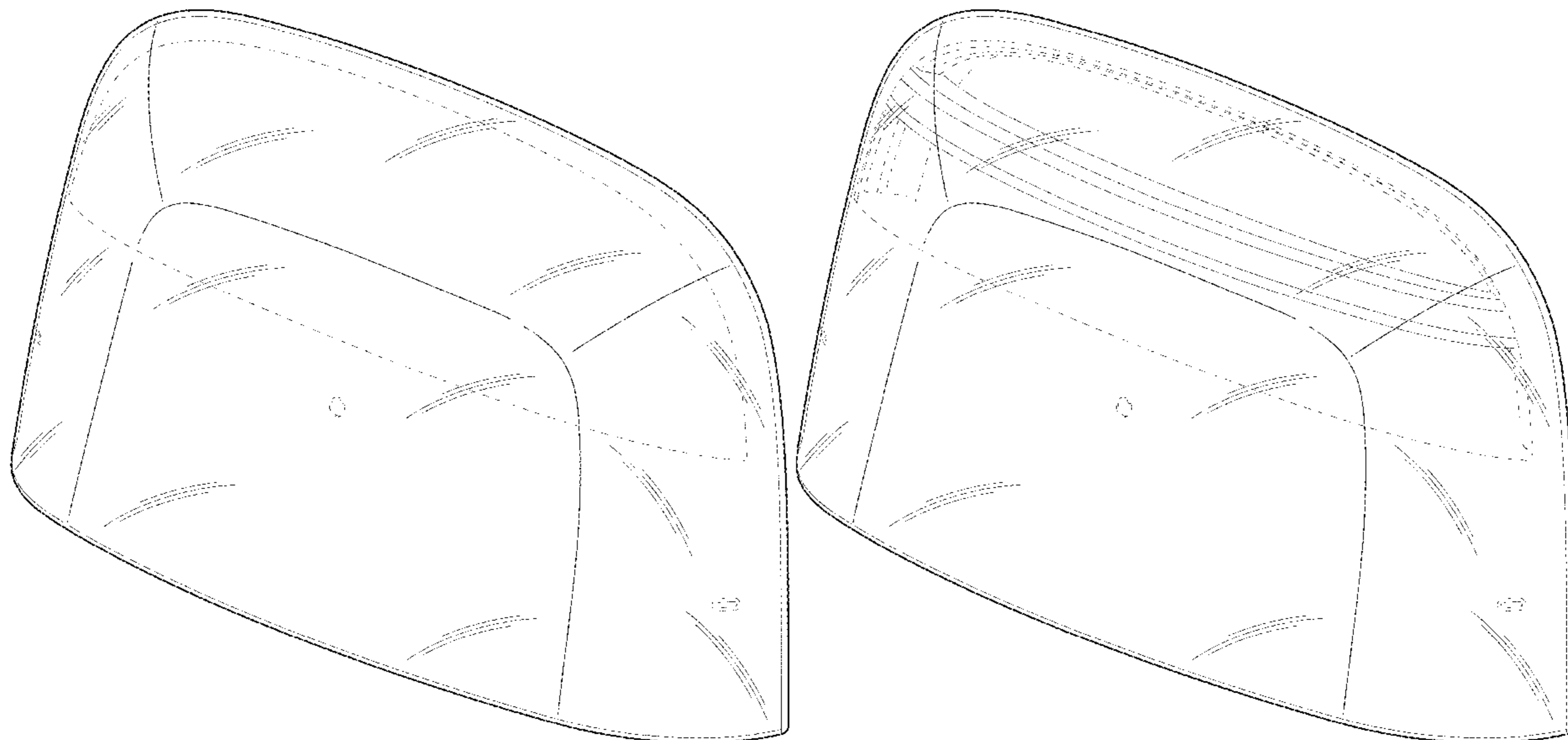
FIG. 12 is a right-side view thereof;

FIG. 13 is a top view thereof; and,

FIG. 14 is a bottom view thereof.

The broken lines depict portions of the windscreen that form no part of the claimed design.

**1 Claim, 14 Drawing Sheets**



(56)

**References Cited**

OTHER PUBLICATIONS

Chinese Office Action dated Apr. 3, 2019, for Chinese Patent Application No. 201830770714.X, a foreign counterpart of the U.S. Appl. No. 29/655,137.

Chinese Office Action dated Sep. 29, 2020 for Chinese Patent Application No. 201830770714.X, a counterpart of U.S. Appl. No. 29/655,137, 1 page.

\* cited by examiner

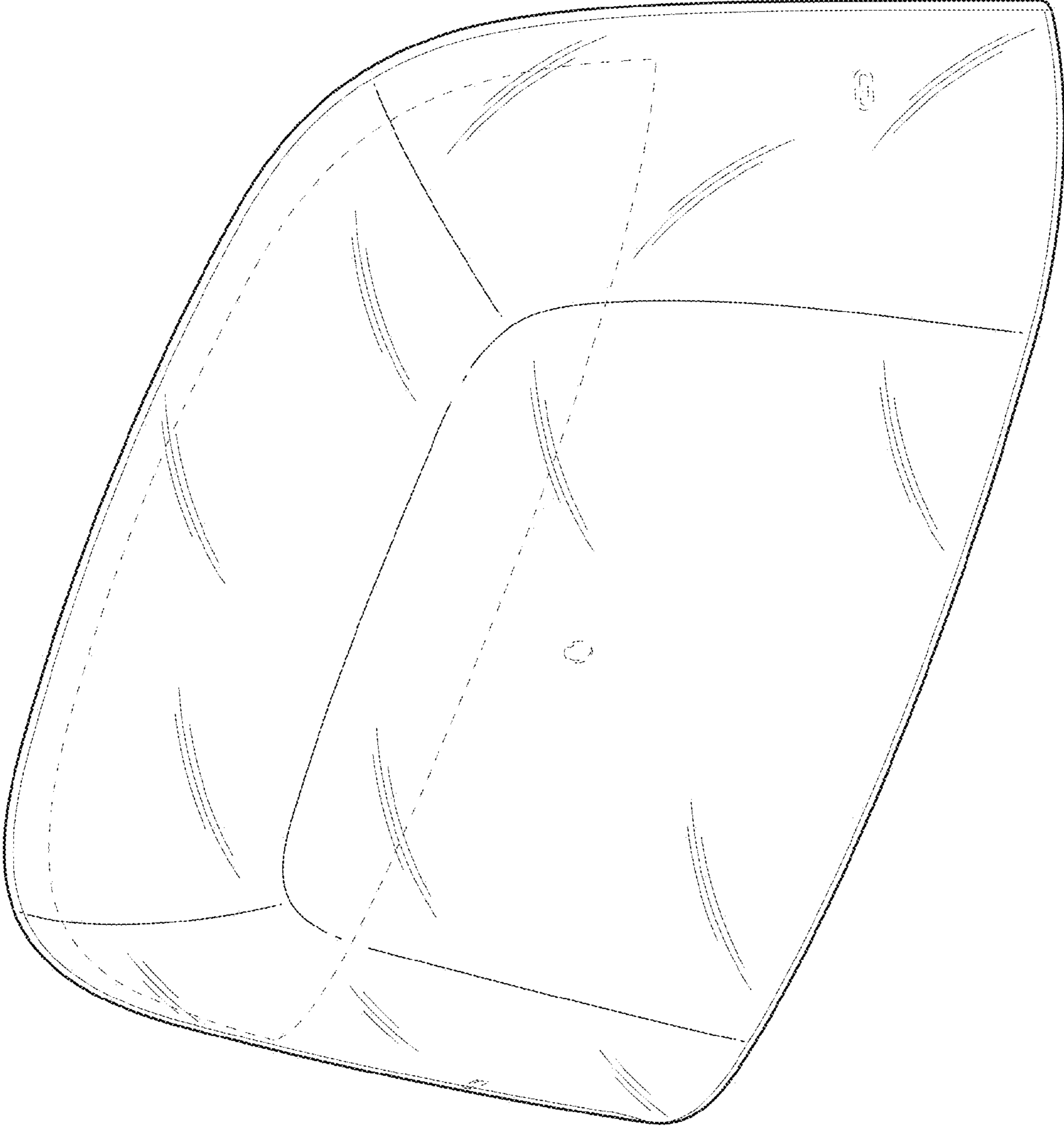


FIG. 1

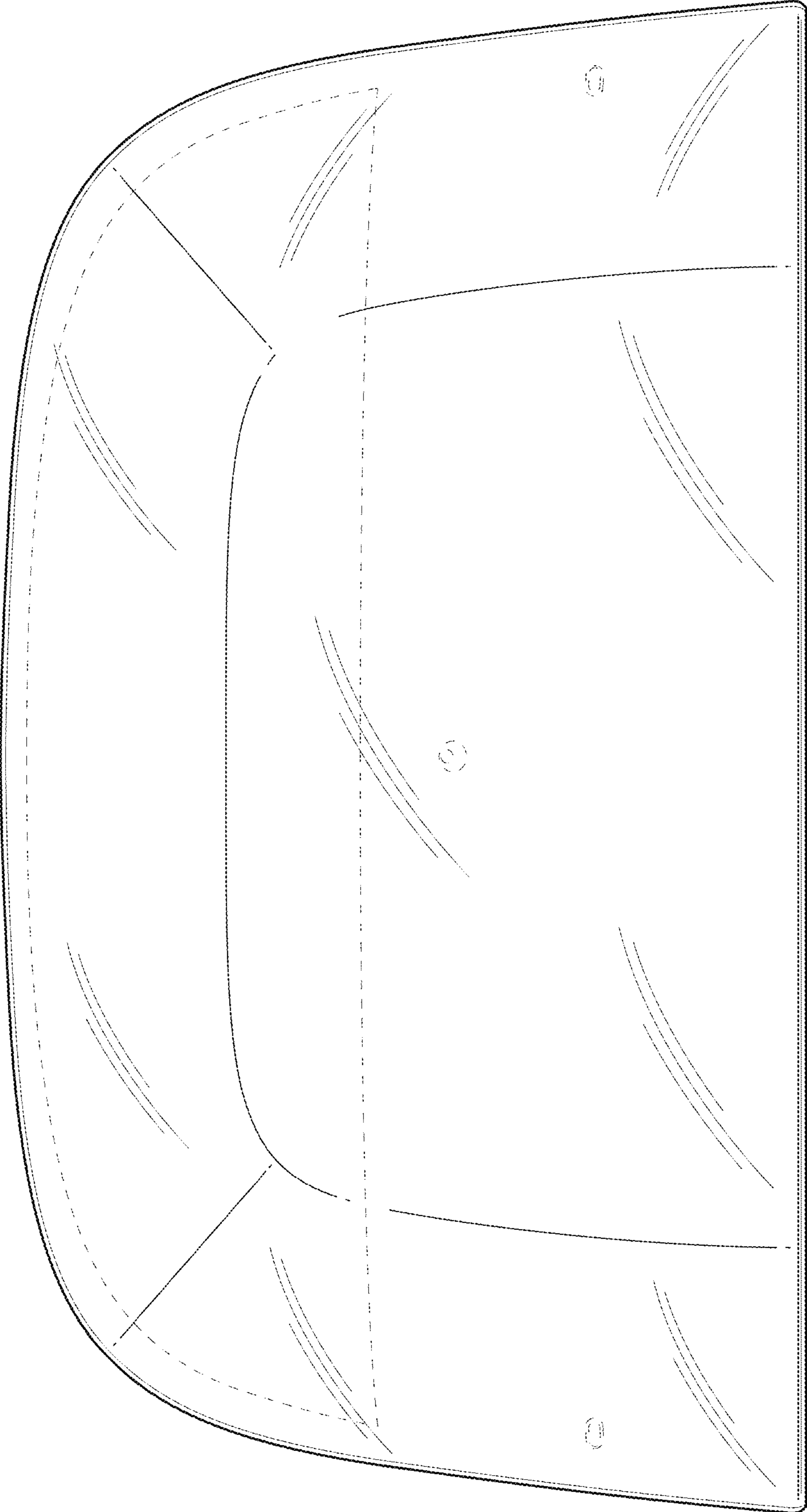


FIG. 2

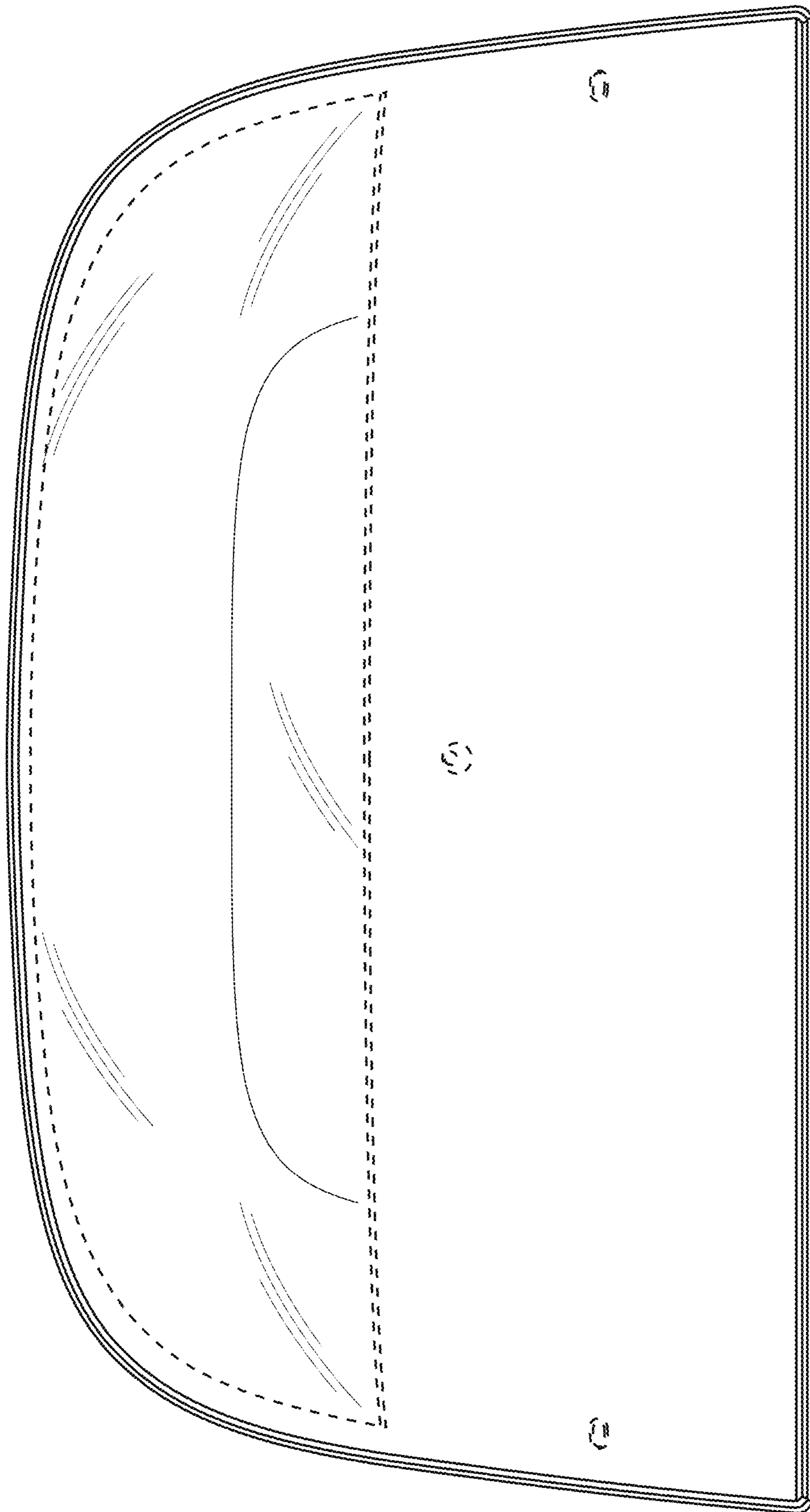


FIG. 3

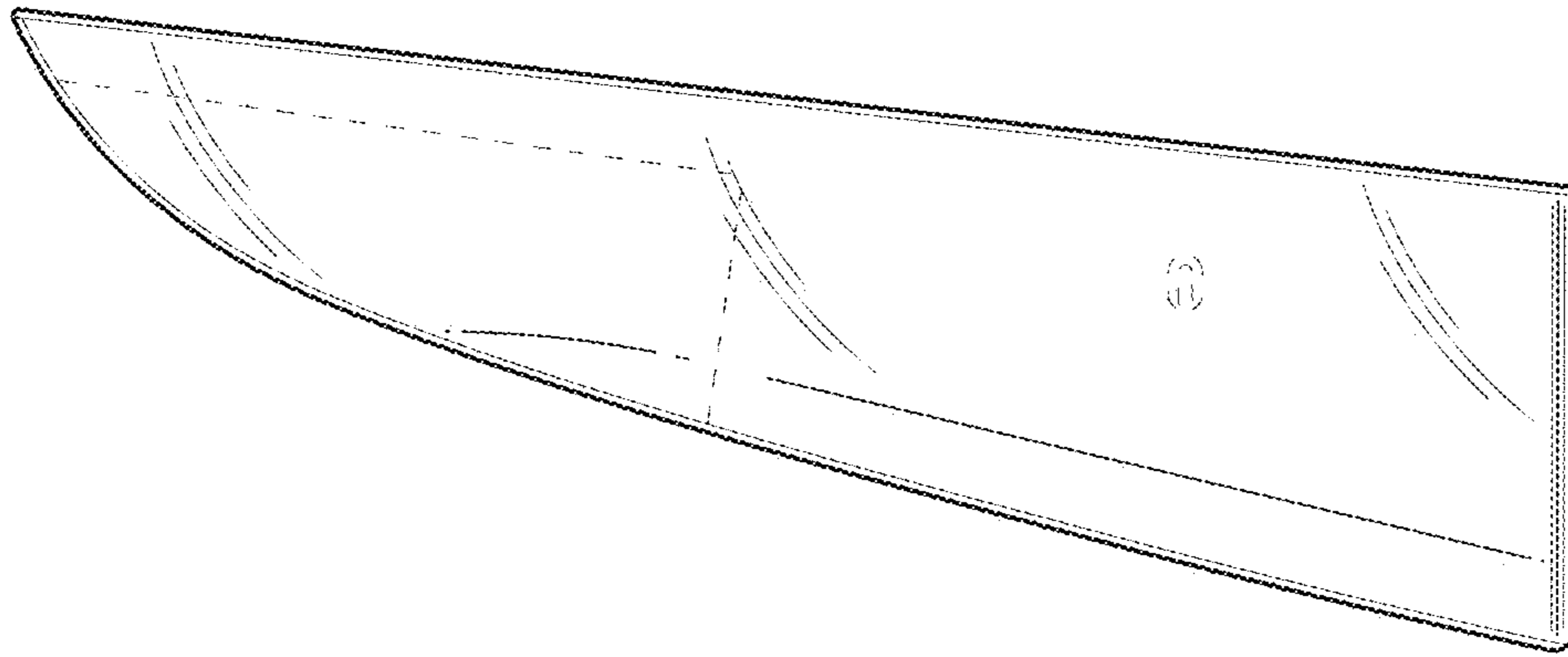


FIG. 4

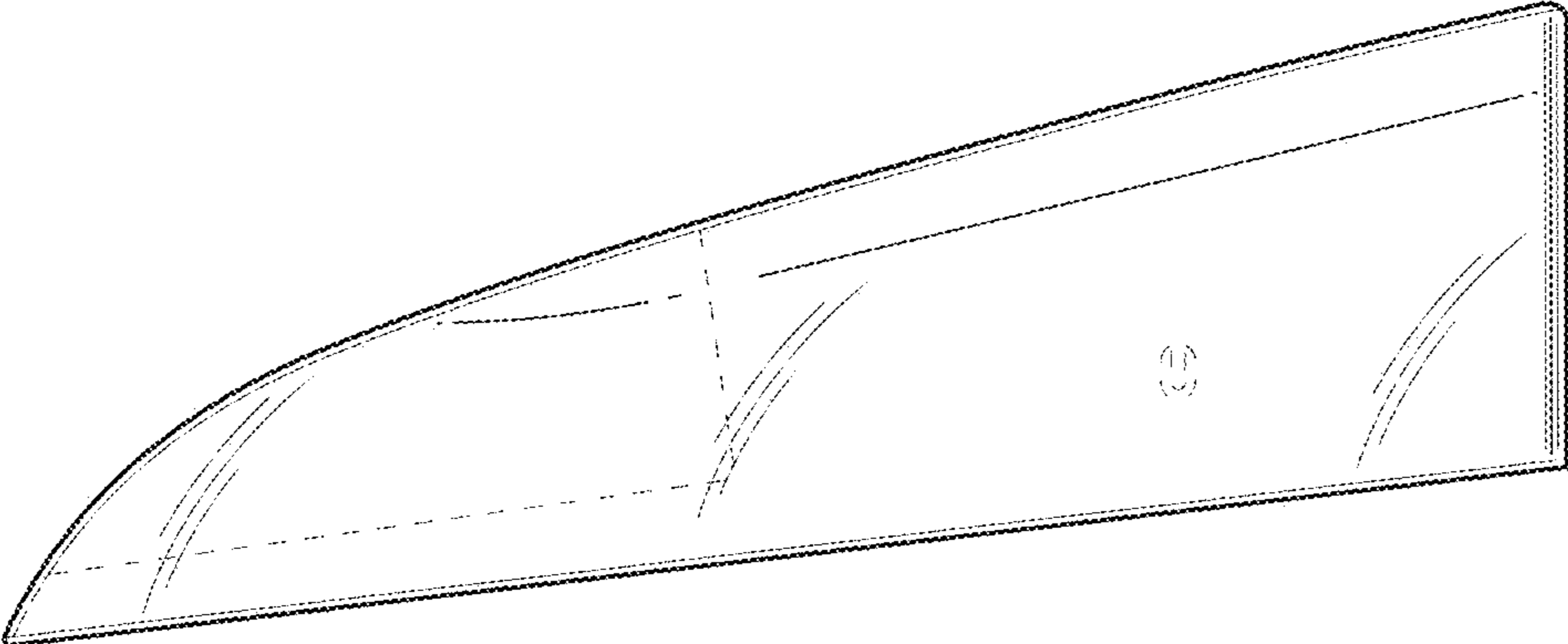


FIG. 5

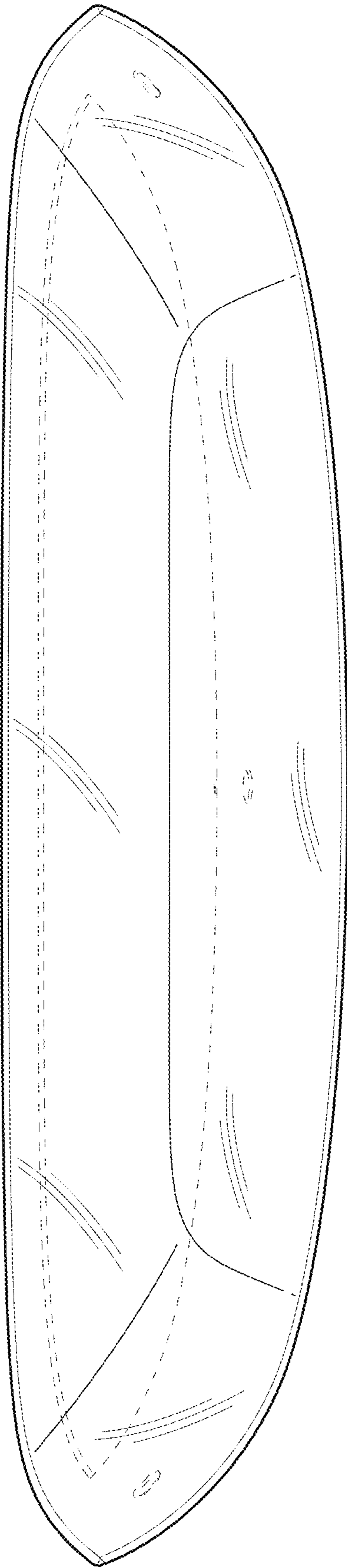


FIG. 6



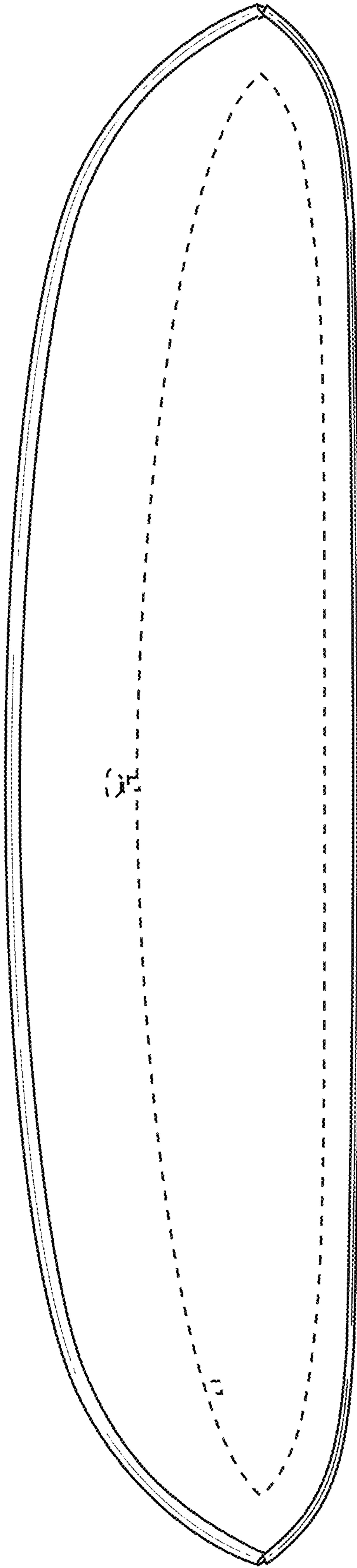


FIG. 7

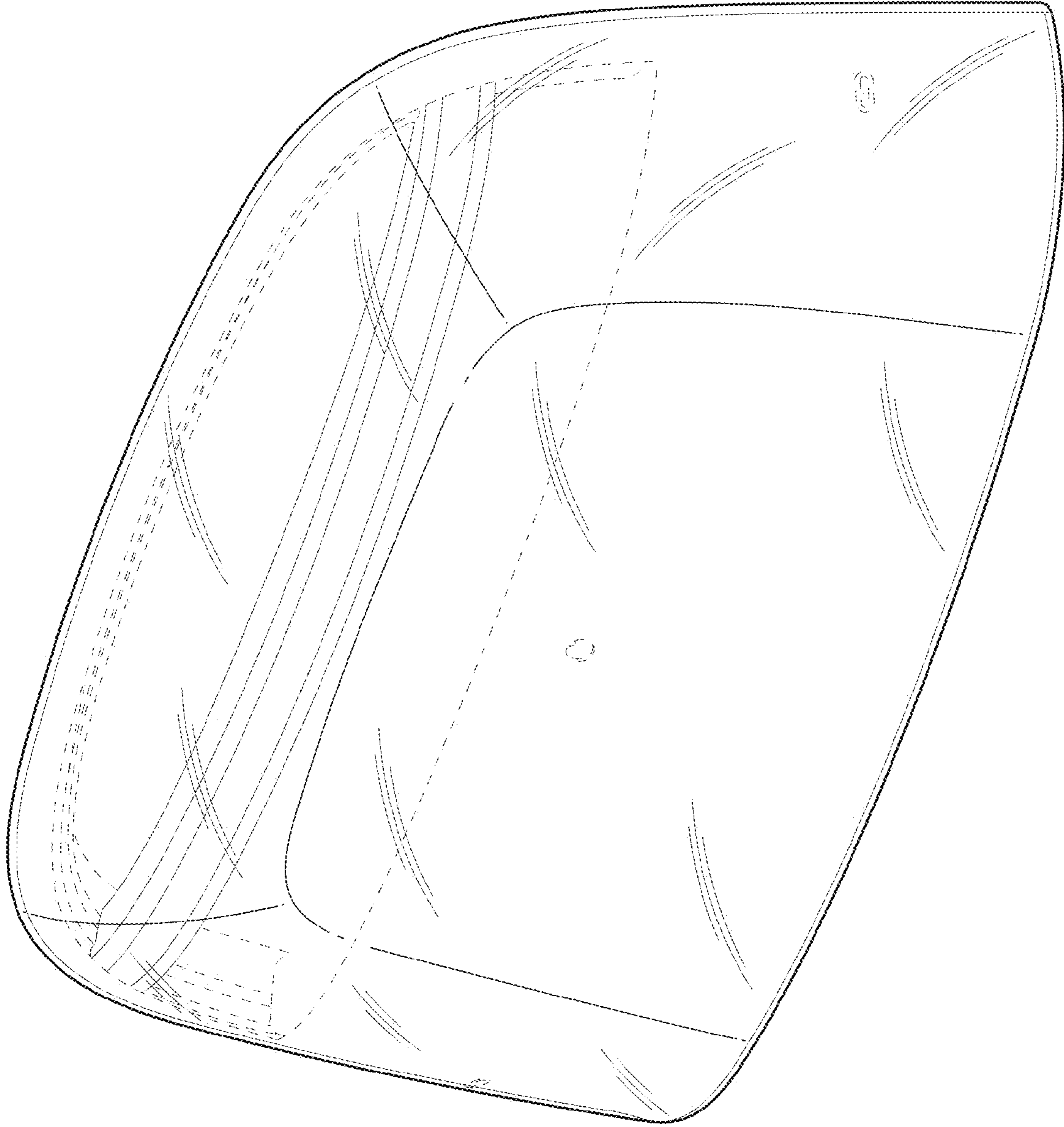


FIG. 8

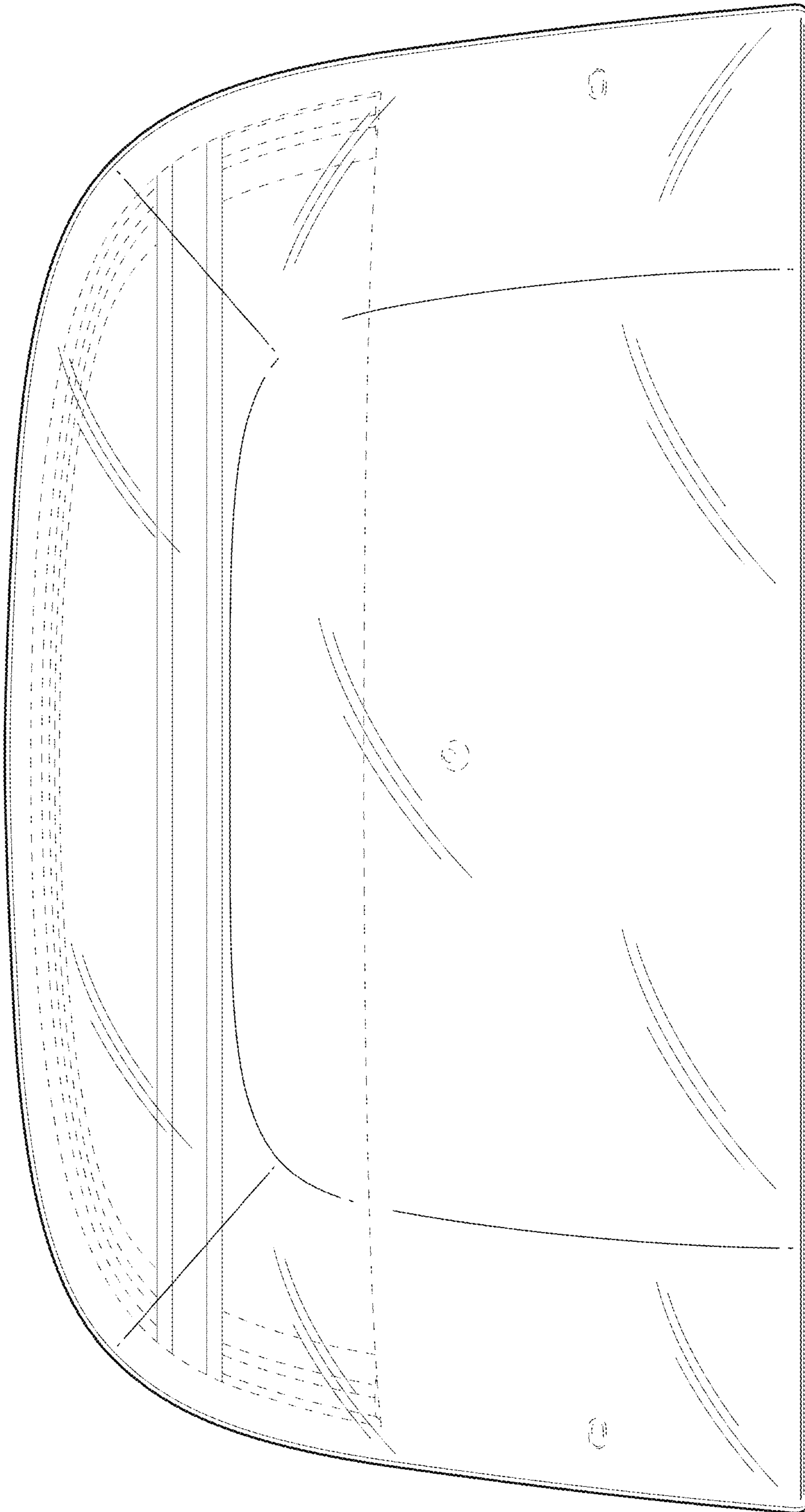


FIG. 9

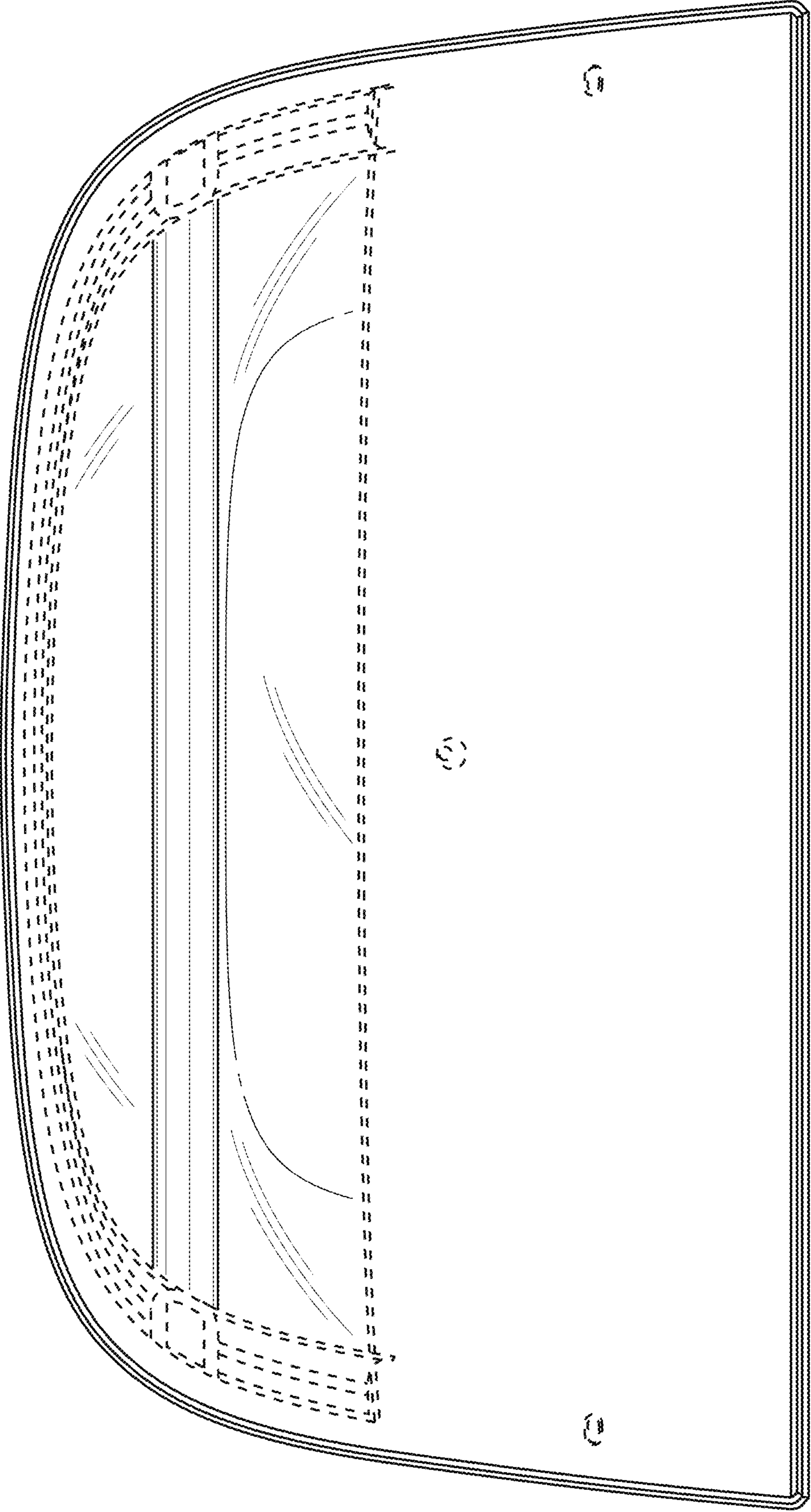


FIG. 10

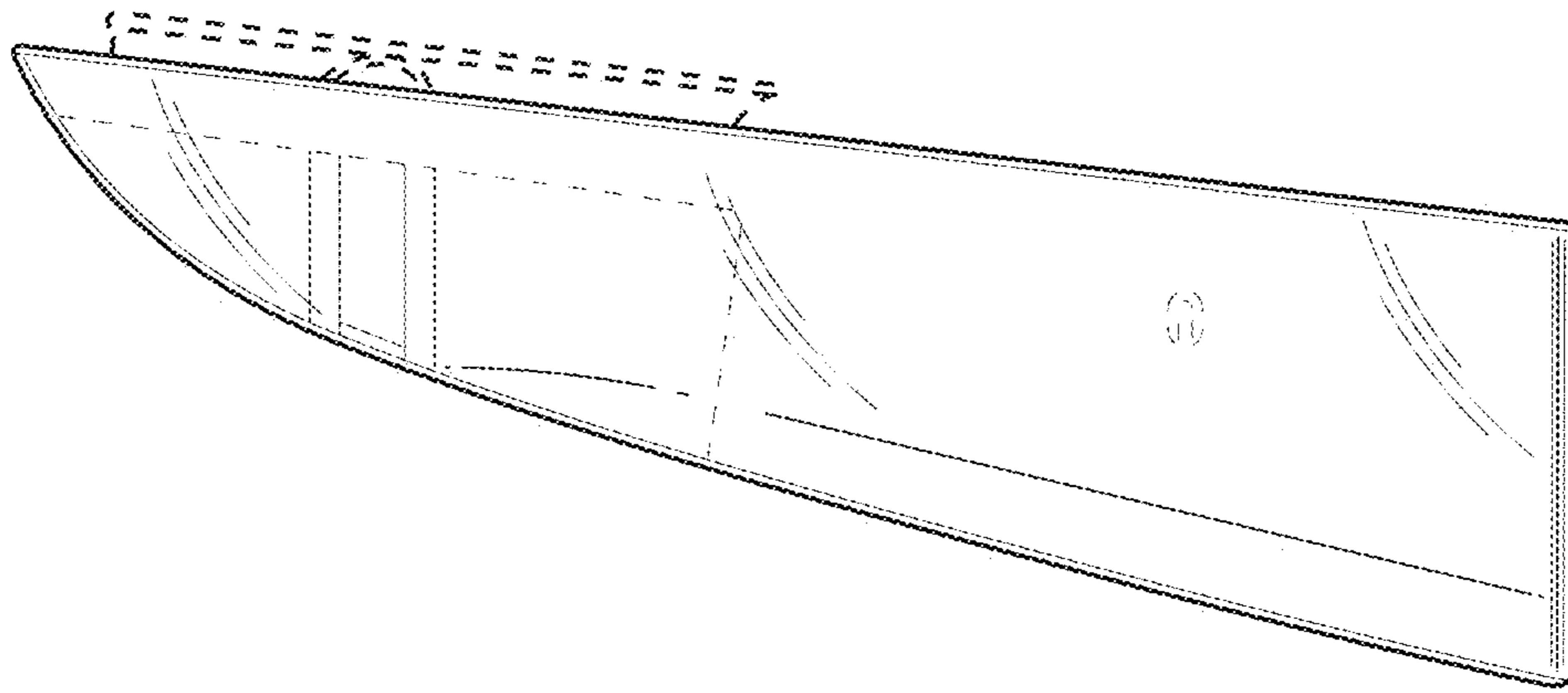


FIG. 11

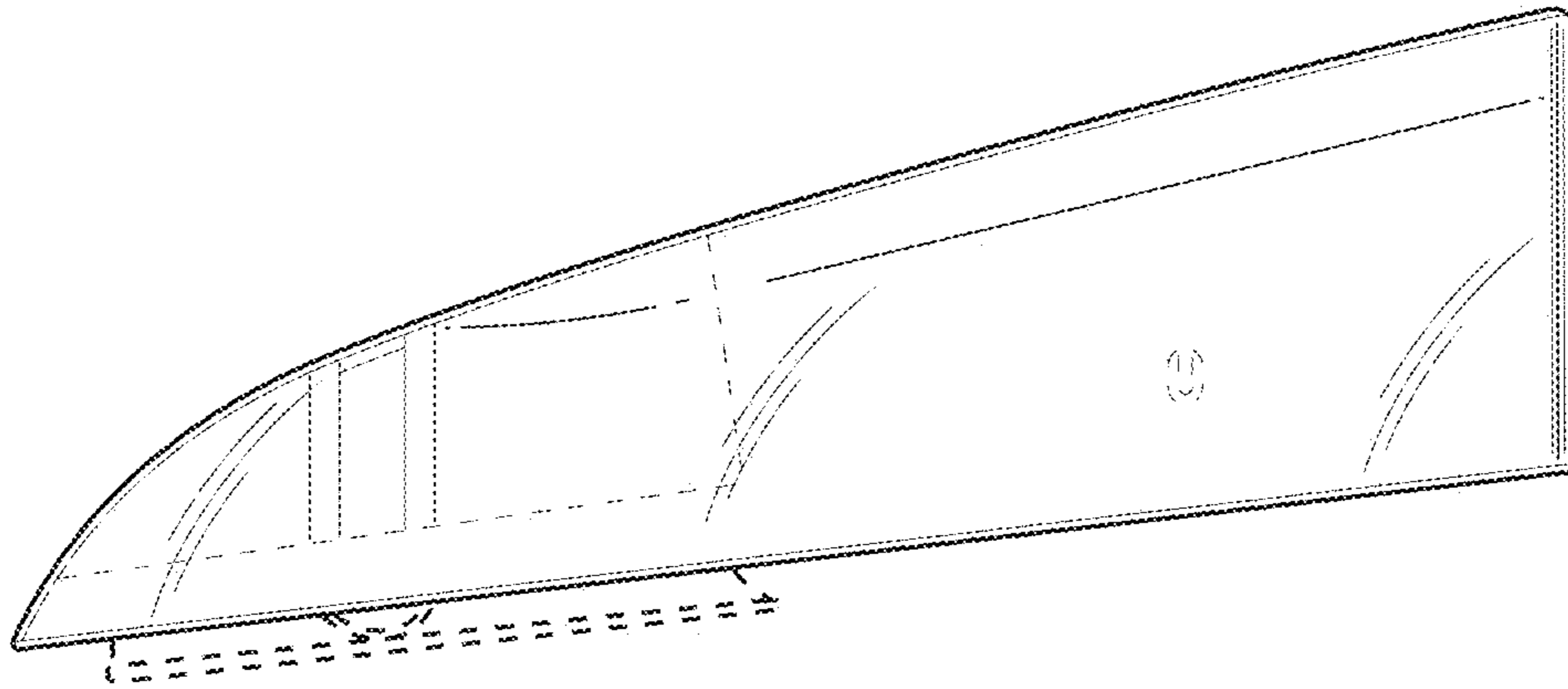


FIG. 12

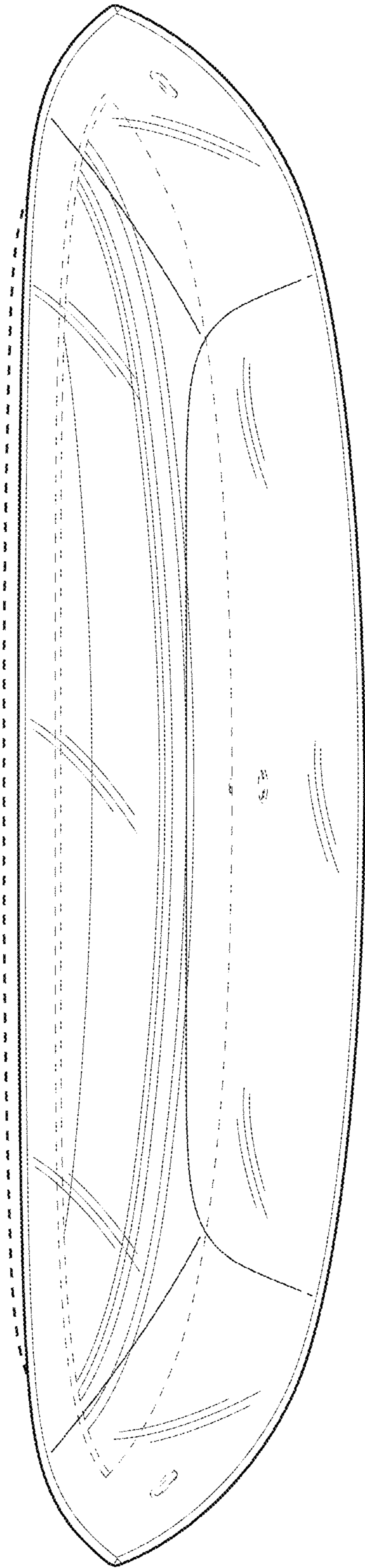


FIG. 13

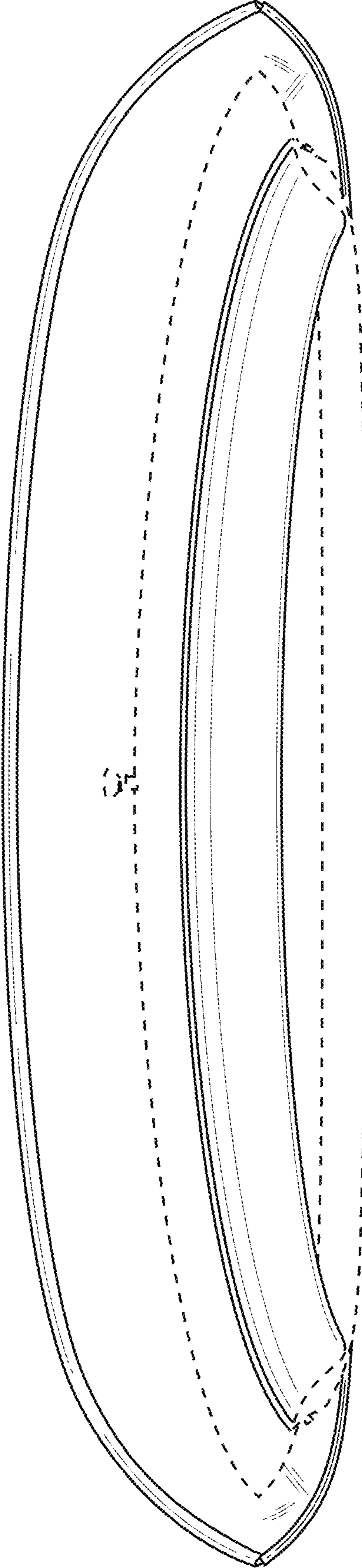


FIG. 14