



US00D920863S

(12) **United States Design Patent** (10) **Patent No.:** **US D920,863 S**
Lenglin (45) **Date of Patent:** **** Jun. 1, 2021**

- (54) **SPOILER FOR MOTOR VEHICLE**
- (71) Applicant: **Dr. Ing. h.c. F. Porsche Aktiengesellschaft, Stuttgart (DE)**
- (72) Inventor: **Stephane Lenglin, Pforzheim (DE)**
- (73) Assignee: **Dr. Ing. h.c. F. Porsche Aktiengesellschaft**
- (**) Term: **15 Years**
- (21) Appl. No.: **29/749,609**
- (22) Filed: **Sep. 8, 2020**

D811,300 S	2/2018	Yamashita et al.	
D826,784 S	8/2018	Hauser	
D829,606 S	10/2018	Jin	
D867,241 S	11/2019	Schmölz	
D870,005 S	* 12/2019	Yamashita	D12/181
D878,985 S	* 3/2020	Scheinhutte	D12/181
D881,091 S	* 4/2020	Smith	D12/181
D882,466 S	4/2020	Yong et al.	
D883,154 S	* 5/2020	Scheinhutte	D12/181
D887,925 S	* 6/2020	Metros	D12/181
D888,635 S	6/2020	Zipfel	
D889,327 S	7/2020	Lu	
D890,654 S	* 7/2020	Buck	D12/181
D891,333 S	7/2020	Baum	
D897,249 S	* 9/2020	Baum	D12/181
D898,639 S	* 10/2020	Baum	D12/181
D899,980 S	* 10/2020	von Holzhausen	D12/181
D900,688 S	* 11/2020	von Holzhausen	D12/181
D911,234 S	* 2/2021	Manzoni	D12/181

Related U.S. Application Data

- (63) Continuation of application No. 29/704,507, filed on Sep. 5, 2019, now abandoned.

Foreign Application Priority Data

Mar. 15, 2019 (DE) 402019100318.5

- (51) **LOC (13) Cl.** **12-16**
- (52) **U.S. Cl.**
USPC **D12/181**
- (58) **Field of Classification Search**
USPC D12/181-184, 191, 400
CPC B62D 37/02; B62D 35/007; B62D 35/00
See application file for complete search history.

References Cited

U.S. PATENT DOCUMENTS

D465,180 S	11/2002	Yokomaku	
D725,559 S	3/2015	Robinson	
D727,227 S	4/2015	Scheinhütte	
D727,809 S	* 4/2015	Scheinhutte	D12/181
D790,402 S	6/2017	Perini	

* cited by examiner

Primary Examiner — Katrina A Betton

(74) *Attorney, Agent, or Firm* — RatnerPrestia

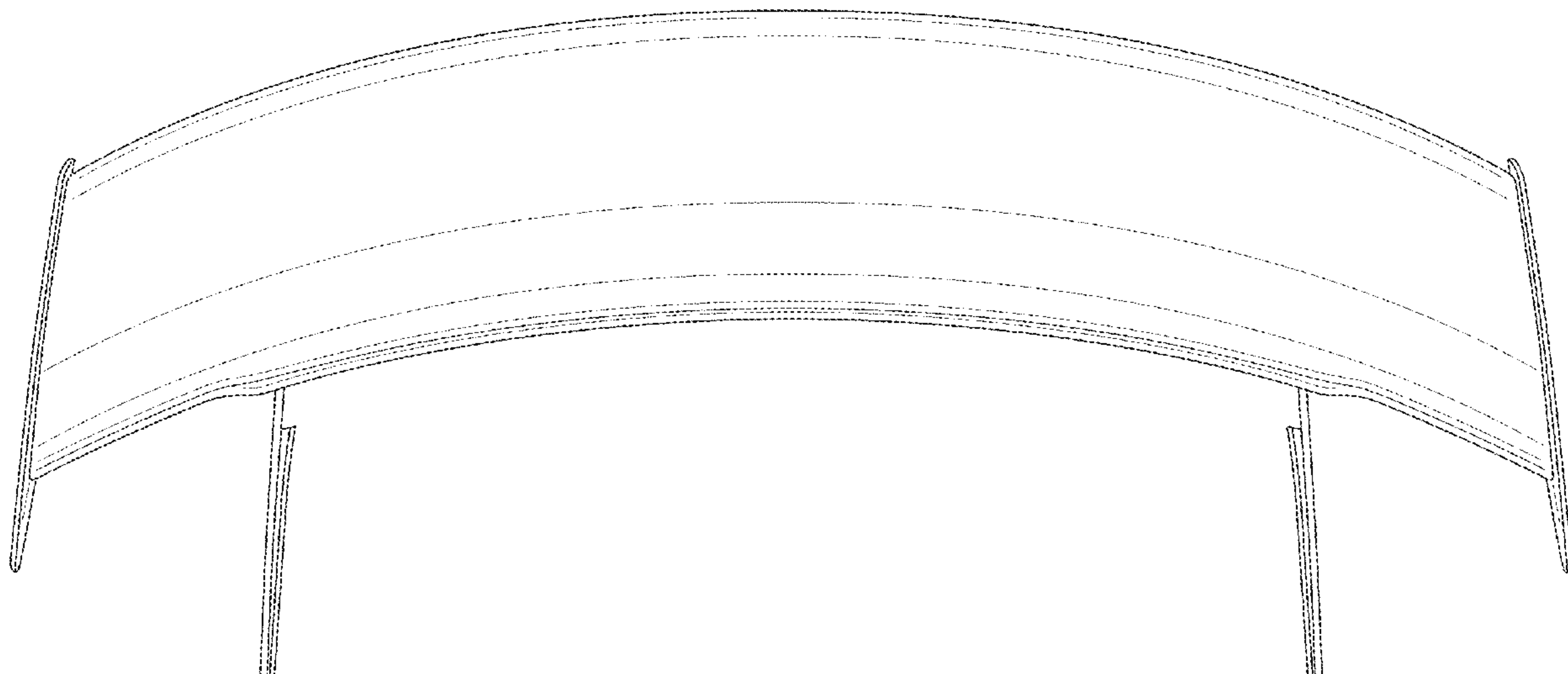
CLAIM

The ornamental design for a spoiler for motor vehicle, as shown and described.

DESCRIPTION

FIG. 1 is a front side perspective view of a spoiler for motor vehicle;
 FIG. 2 is a rear side perspective view thereof;
 FIG. 3 is a front elevation view thereof;
 FIG. 4 is a rear elevation view thereof;
 FIG. 5 is an elevation view thereof from the left side, the right side being a mirror image thereof;
 FIG. 6 is a top plan view thereof; and,
 FIG. 7 is a bottom plan view thereof.

1 Claim, 7 Drawing Sheets



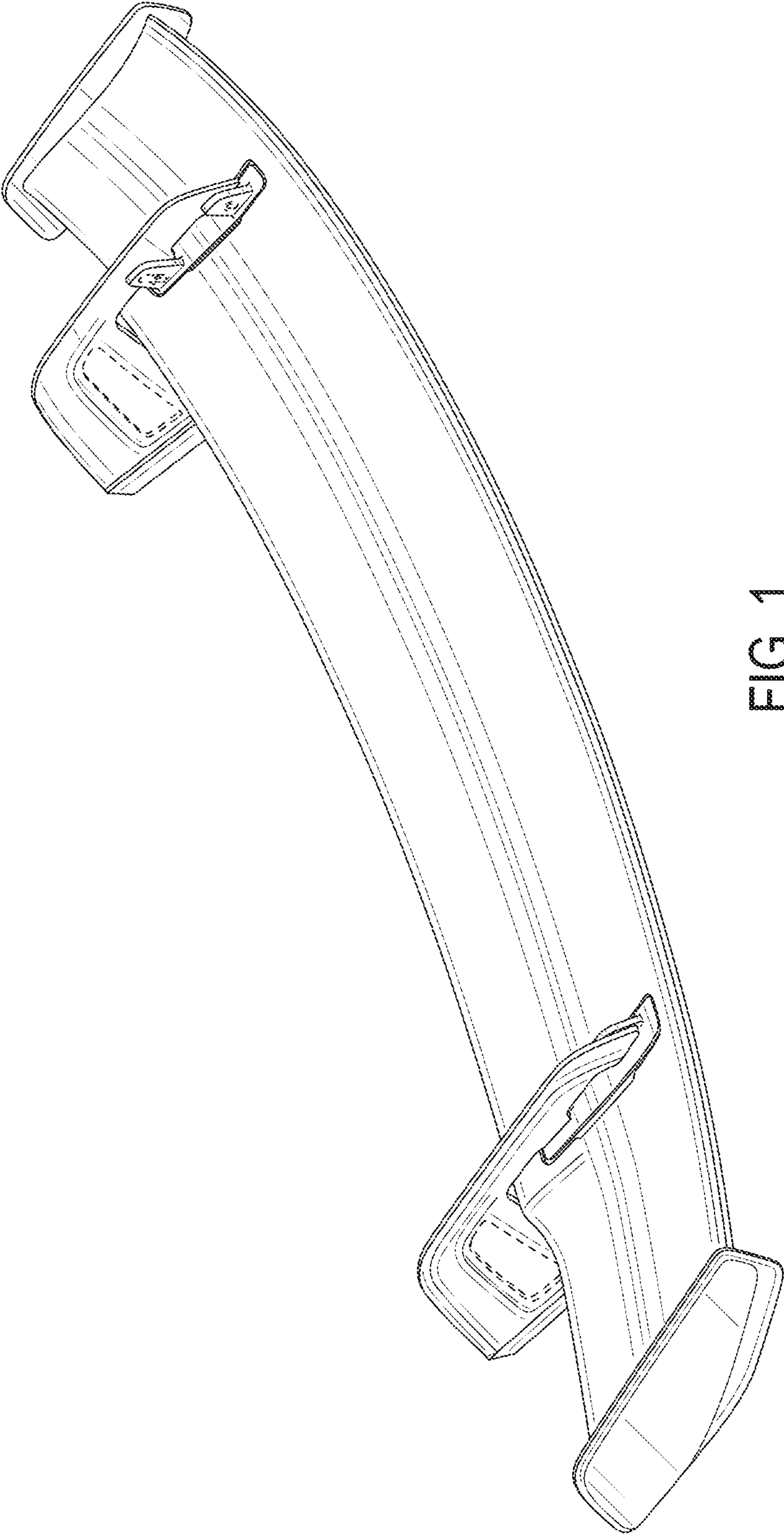


FIG. 1

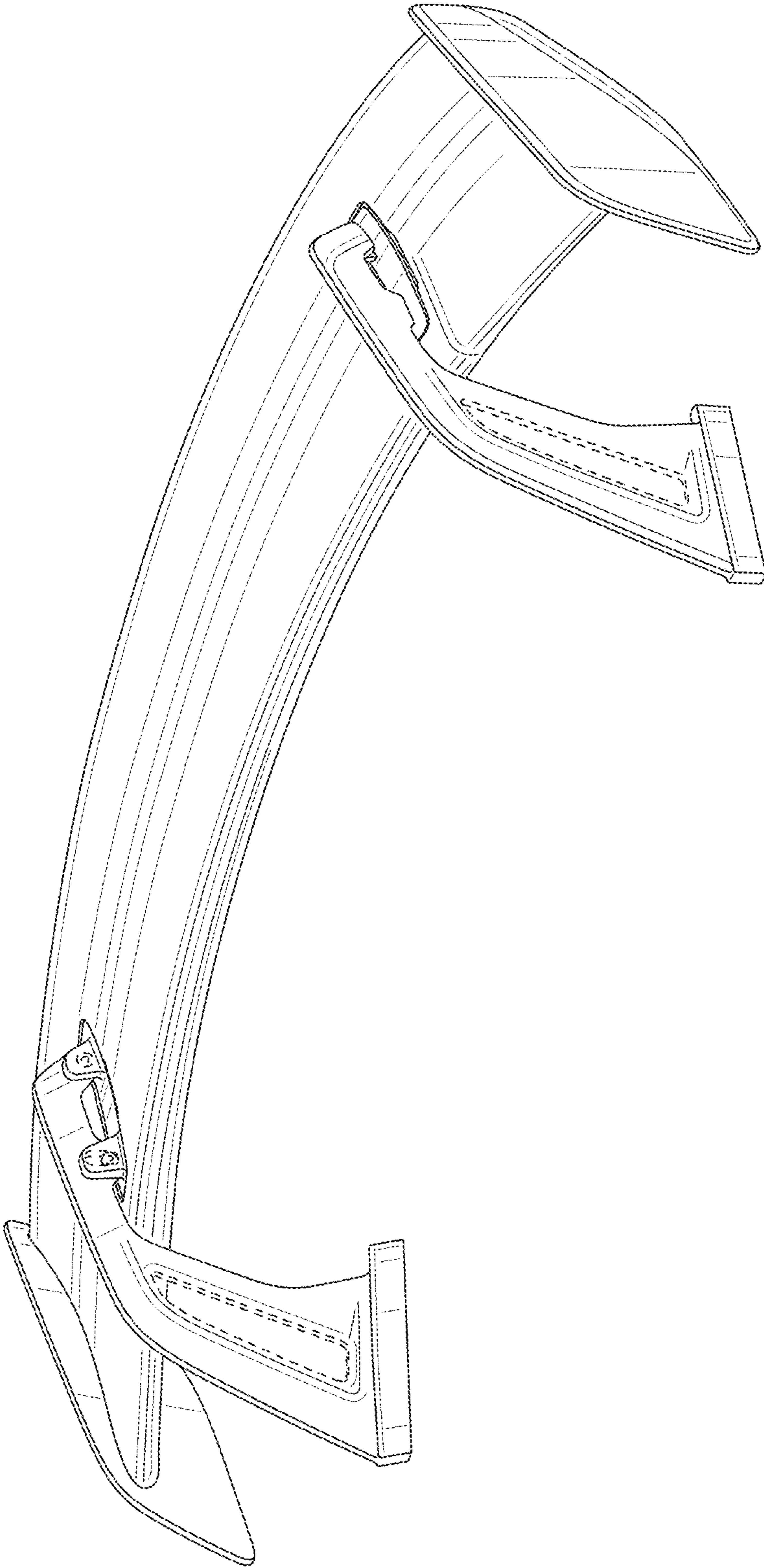


FIG. 2

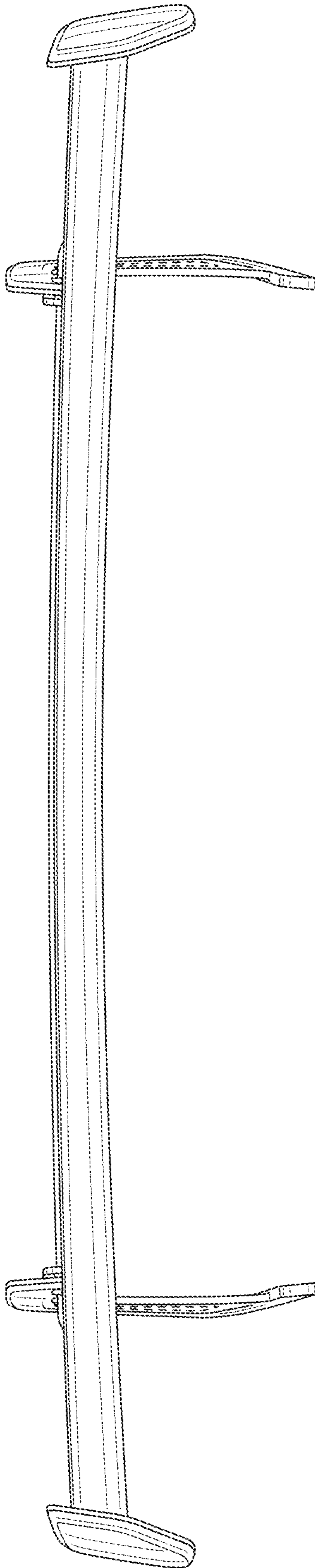


FIG. 3

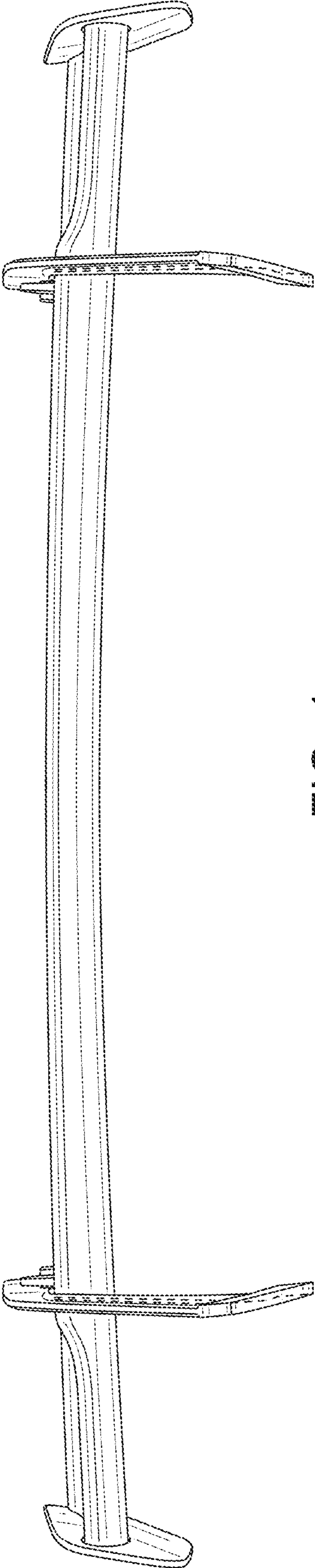


FIG. 4

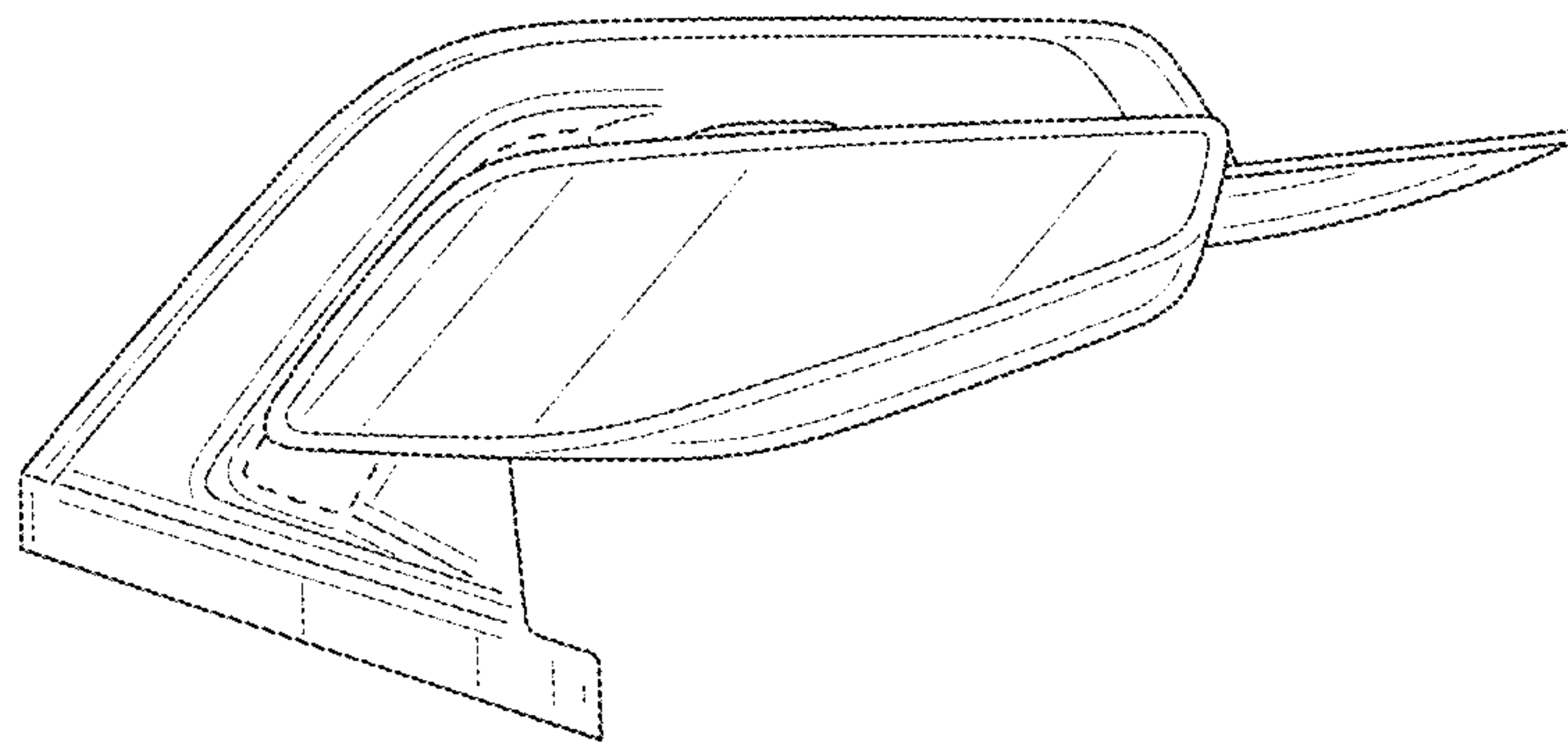


FIG. 5

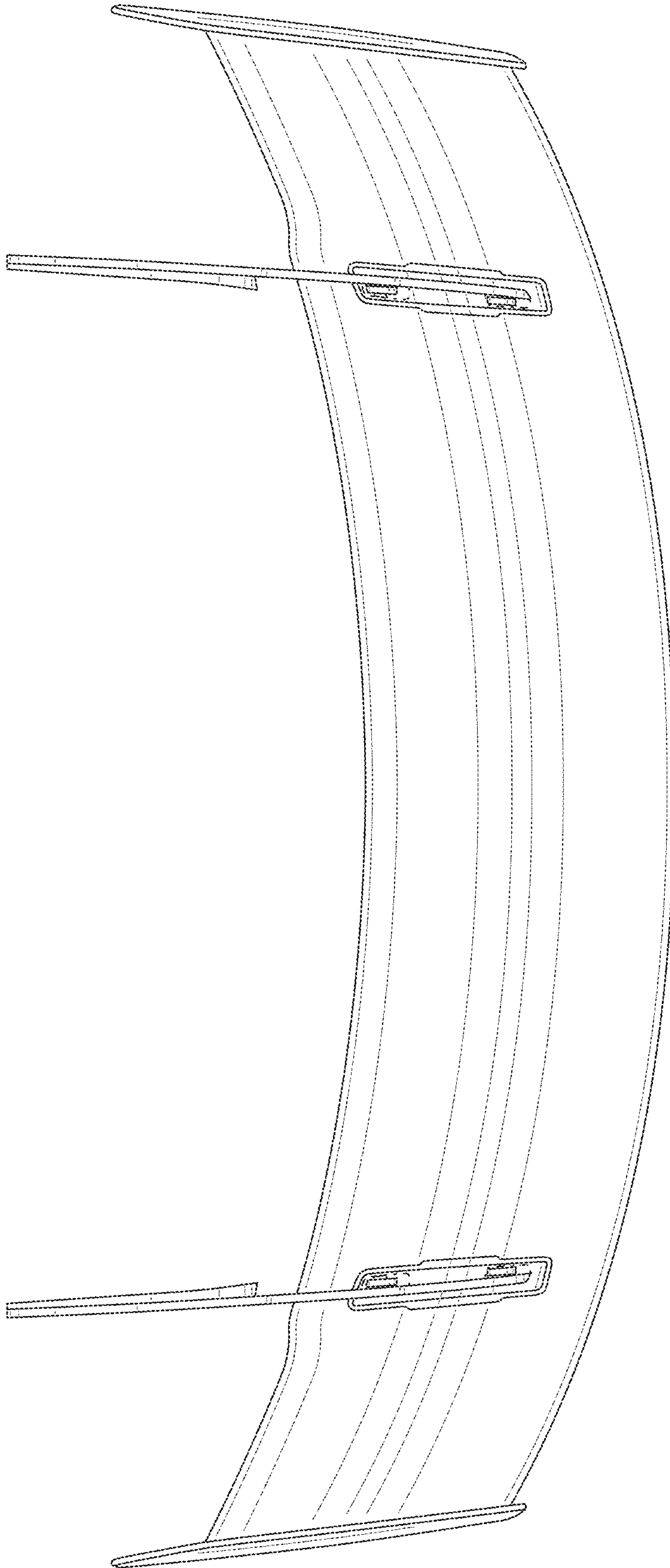


FIG. 6

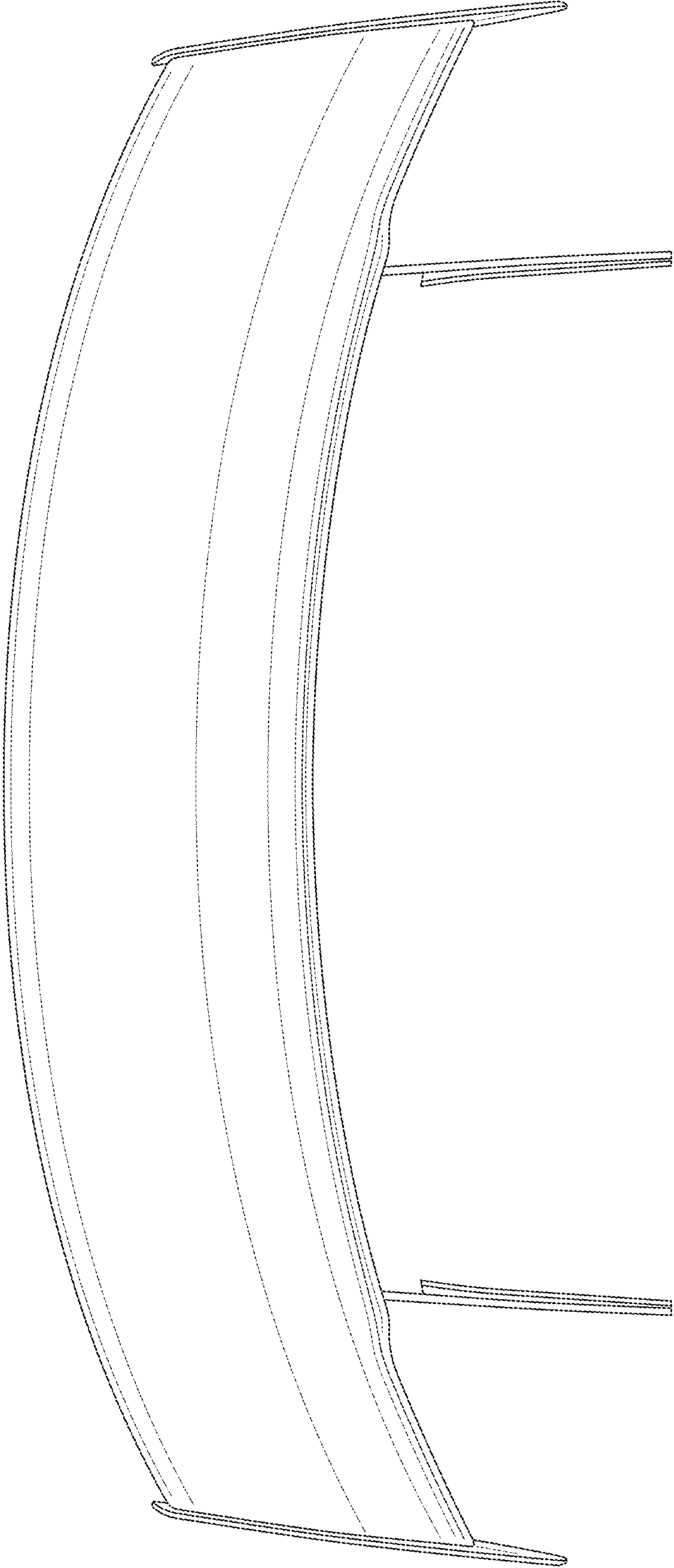


FIG. 7