



US00D920853S

(12) **United States Design Patent**
von Schöning

(10) **Patent No.: US D920,853 S**

(45) **Date of Patent: ** *Jun. 1, 2021**

(54) **BICYCLE**

(71) Applicant: **Porsche Lizenz—und
Handelsgesellschaft mbH & Co. KG,**
Ludwigsburg (DE)

(72) Inventor: **Sina von Schöning,** Stuttgart (DE)

(73) Assignee: **Porsche Lizenz—und
Handelsgesellschaft mbH & Co. KG**

(*) Notice: This patent is subject to a terminal disclaimer.

(**) Term: **15 Years**

(21) Appl. No.: **29/663,408**

(22) Filed: **Sep. 14, 2018**

(51) **LOC (13) Cl. 12-11**

(52) **U.S. Cl.**
USPC **D12/111**

(58) **Field of Classification Search**
USPC D12/111, 110, 107, 114, 117, 118, 119;
D21/419, 424
CPC . B62K 3/00; B62K 3/005; B62K 3/02; B62K
3/04; B62K 11/00; B62K 11/10; B62K
11/02; B62K 11/14; B62K 21/12; B62K
21/04; B62K 21/06; B62K 21/02; B62K
21/26; B62K 21/16; B62K 15/006; B62K
19/02; B62K 19/04; B62K 19/42; B62K
19/08; B62K 25/04; B62K 25/08; B62K
25/16; B62K 25/30

See application file for complete search history.

(56) **References Cited**

U.S. PATENT DOCUMENTS

2,510,013 A 5/1950 Edgar
2,827,301 A 3/1958 Stevens
D331,898 S * 12/1992 Muller D12/111
D343,600 S * 1/1994 Moore D12/111

D411,147 S * 6/1999 Tsai D12/118
D479,817 S * 9/2003 Hobson D12/111
D551,130 S 9/2007 Pizzi
D621,303 S * 8/2010 Tanaka D12/111

(Continued)

FOREIGN PATENT DOCUMENTS

CN 201630209494.4 * 5/2016
CN 201630284314 * 6/2016

(Continued)

OTHER PUBLICATIONS

Flatsixes, Porsche teases new generation of electric assist-bicycle, posted Mar. 7, 2018, [online], [visited Nov. 13, 2020]. Internet, <URL: <https://flatsixes.com/cars/electric-porsche/porsche-teases-new-generation-electric-assist-bicycle/>> (Year: 2018).*

(Continued)

Primary Examiner — Sheryl Lane

Assistant Examiner — Samantha N Wood

(74) *Attorney, Agent, or Firm* — RatnerPrestia

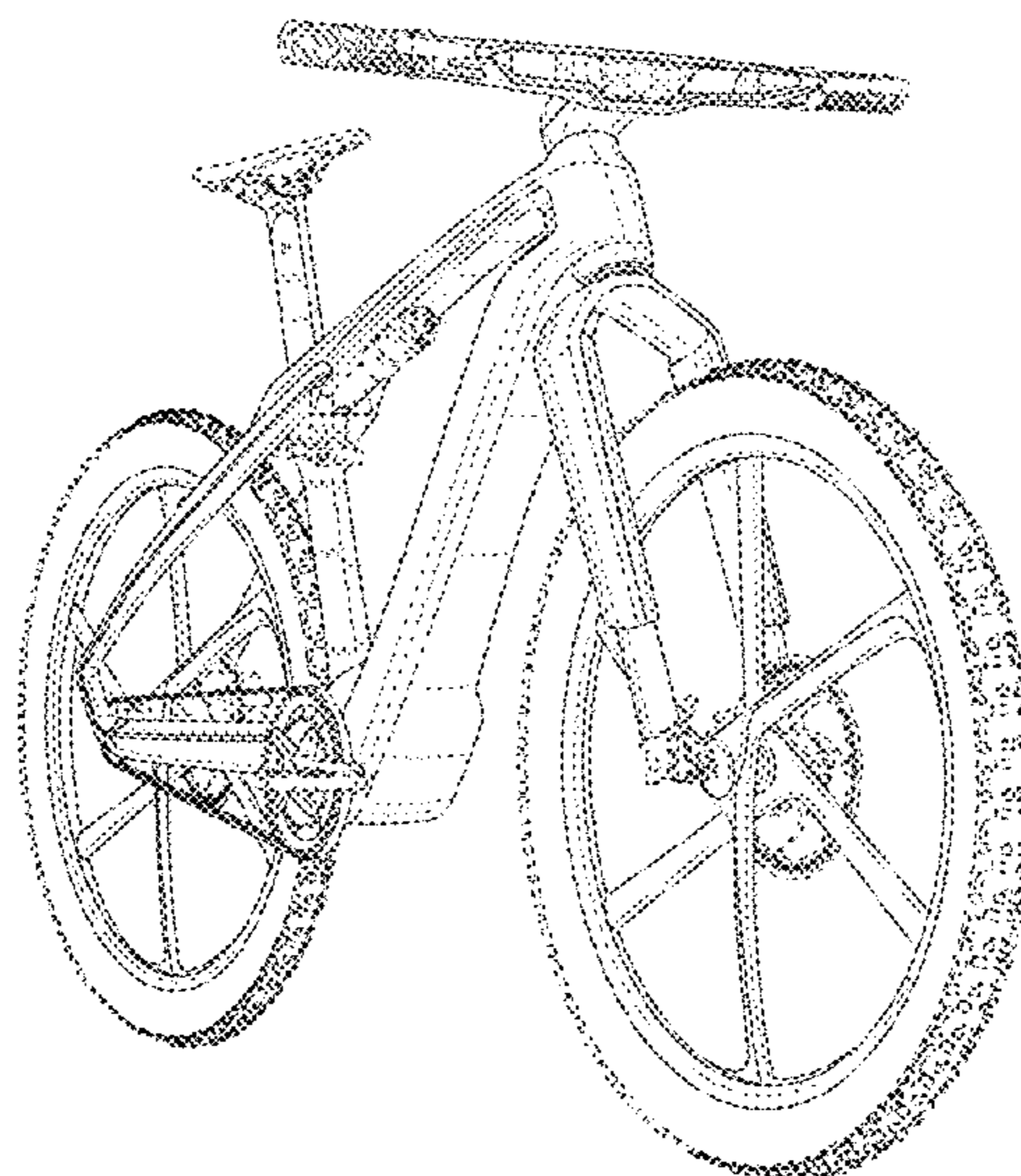
(57) **CLAIM**

The ornamental design for a bicycle, as shown and described.

DESCRIPTION

FIG. 1 is a front perspective view of a bicycle;
FIG. 2 is a front view thereof, shown from a slight perspective;
FIG. 3 is a rear view thereof, shown from a slight perspective;
FIG. 4 is a right side view thereof, shown from a slight perspective; and,
FIG. 5 is a top view thereof, shown from a slight perspective. The broken line showing of the bicycle is for the purpose illustrating portions of the bicycle and forms no part of the claimed design.

1 Claim, 5 Drawing Sheets



(56)

References Cited

U.S. PATENT DOCUMENTS

D730,779 S * 6/2015 Arbour D12/111
 D741,221 S * 10/2015 Haller et al.
 D789,836 S * 6/2017 Gouin D12/111
 D797,610 S * 9/2017 Jankura D12/111
 D806,627 S * 1/2018 Lee D12/211
 D811,275 S * 2/2018 Hendey D12/111
 D811,946 S * 3/2018 Williams
 9,981,709 B1 * 5/2018 Logan
 D843,893 S * 3/2019 Reiter D12/111
 D850,983 S * 6/2019 Zhu D12/111
 D865,574 S * 11/2019 Russell D12/111
 D871,293 S * 12/2019 Quan D12/208

FOREIGN PATENT DOCUMENTS

CN 201730295463 * 7/2017
 DE 202010010521 U1 * 2/2011 B62K 19/04
 DE 102015113829 A1 * 2/2016
 KR 3020150018636 * 4/2015

WO 2017091516 A2 6/2017
 WO D099595005 1/2018
 WO D200789001 10/2018

OTHER PUBLICATIONS

Youtube, Porsche Bike RX—Test Ride, posted Feb. 20, 2014, [online], [visited Nov. 13, 2020]. Internet, <URL: <https://www.youtube.com/watch?v=s7FILULehTA>> (Year: 2014).*

Youtube, Specialized Turbo Vado 3.0—Speed Pedelec Electric Bike Review, posted Aug. 28, 2018, [online], [visited Nov. 13, 2020]. Internet, <URL: <https://www.youtube.com/watch?v=AMJRVQKMXDg>> (Year: 2018).*

Amazon, GTWO Electric Bicycle, posted Nov. 20, 2017, [online], visited Oct. 16, 2020]. Internet, URL:<http://www.amazon.co.uk/GTWO-Electric-Bicycle-Mountain-Removable/dp/B087B4GDLC/ref>> (Year: 2017), 8 pages.

Notice of Allowance for U.S. Appl. No. 29/663,353, dated Oct. 28, 2020, 6 pages.

* cited by examiner

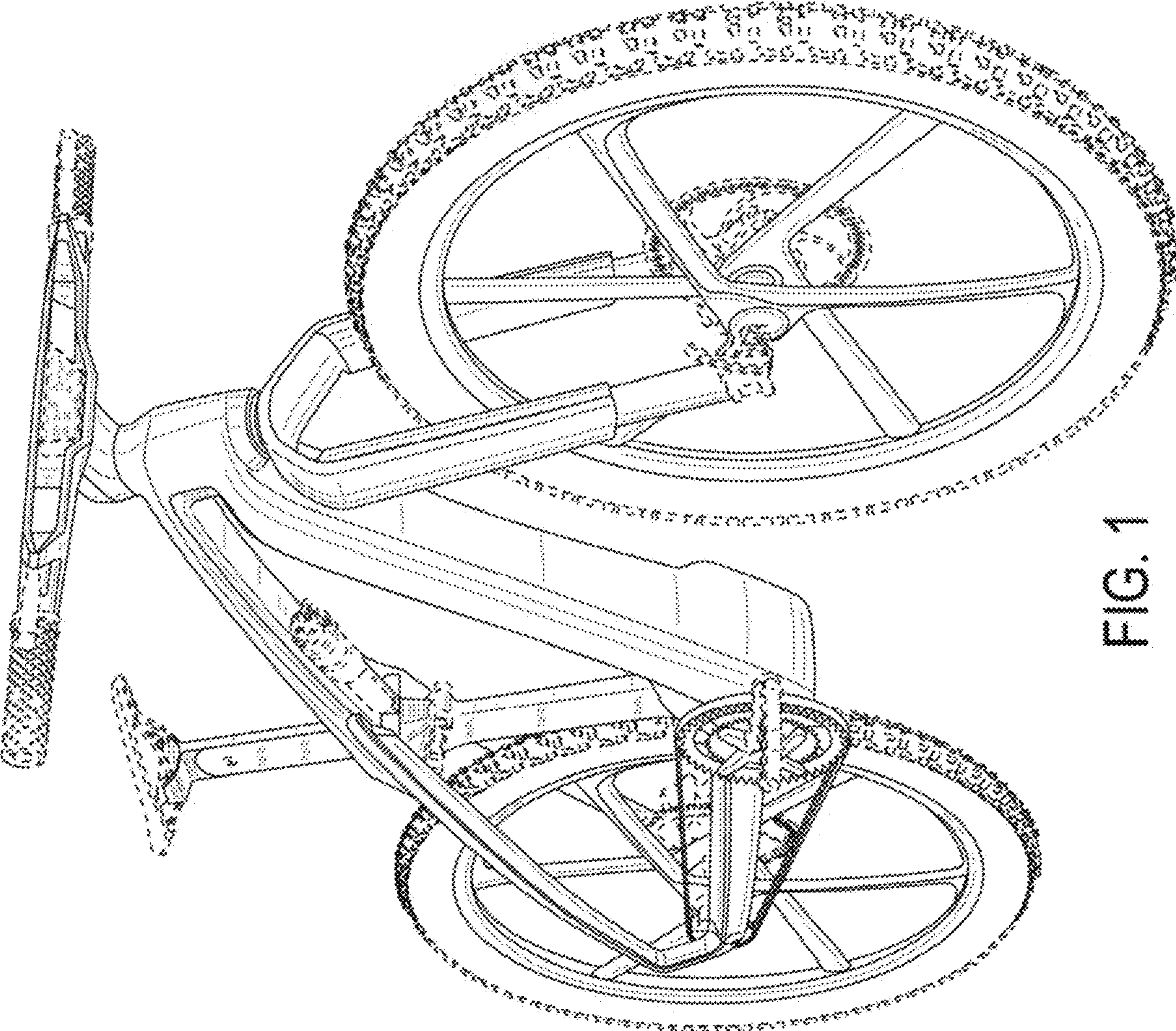


FIG. 1

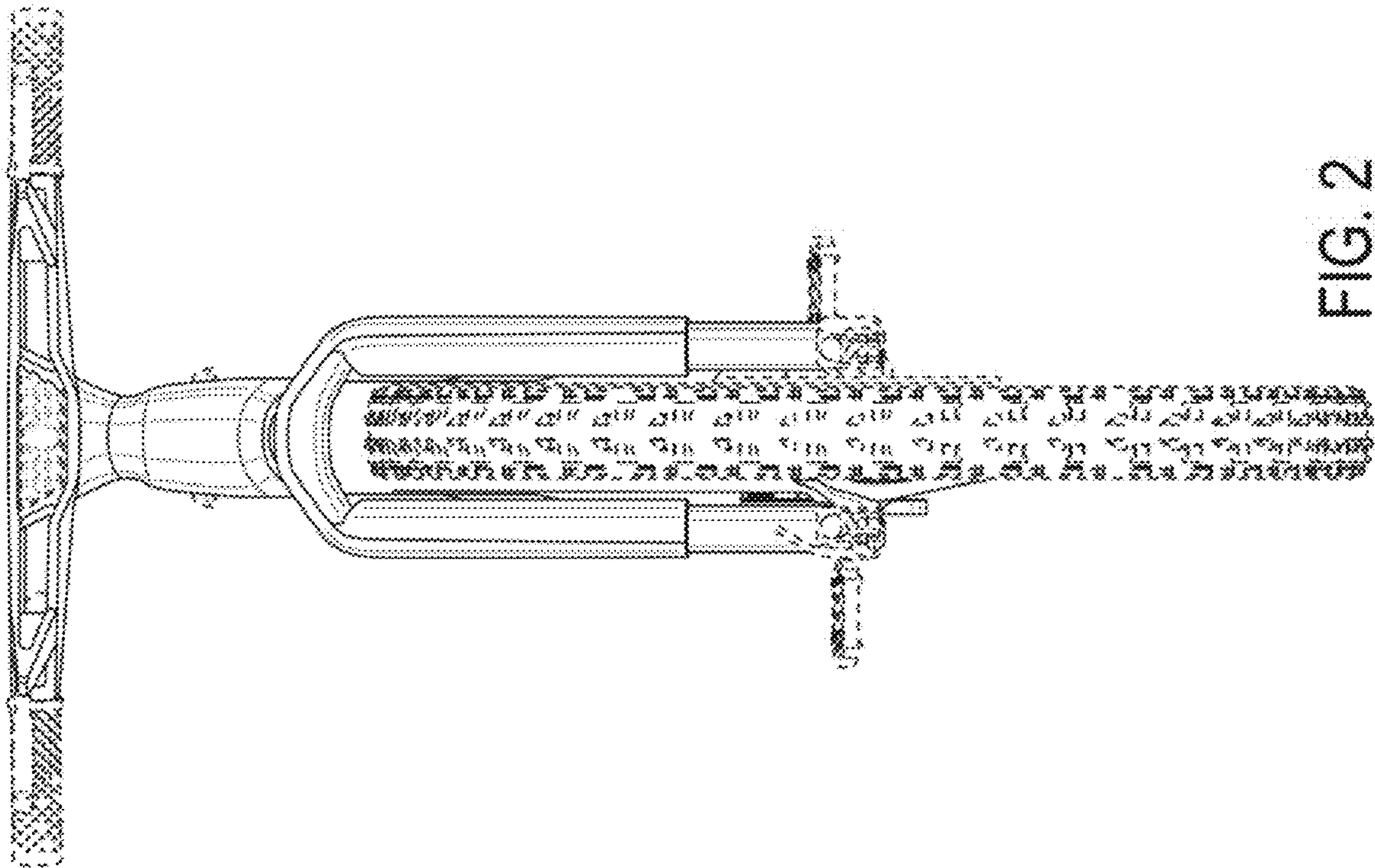


FIG. 2

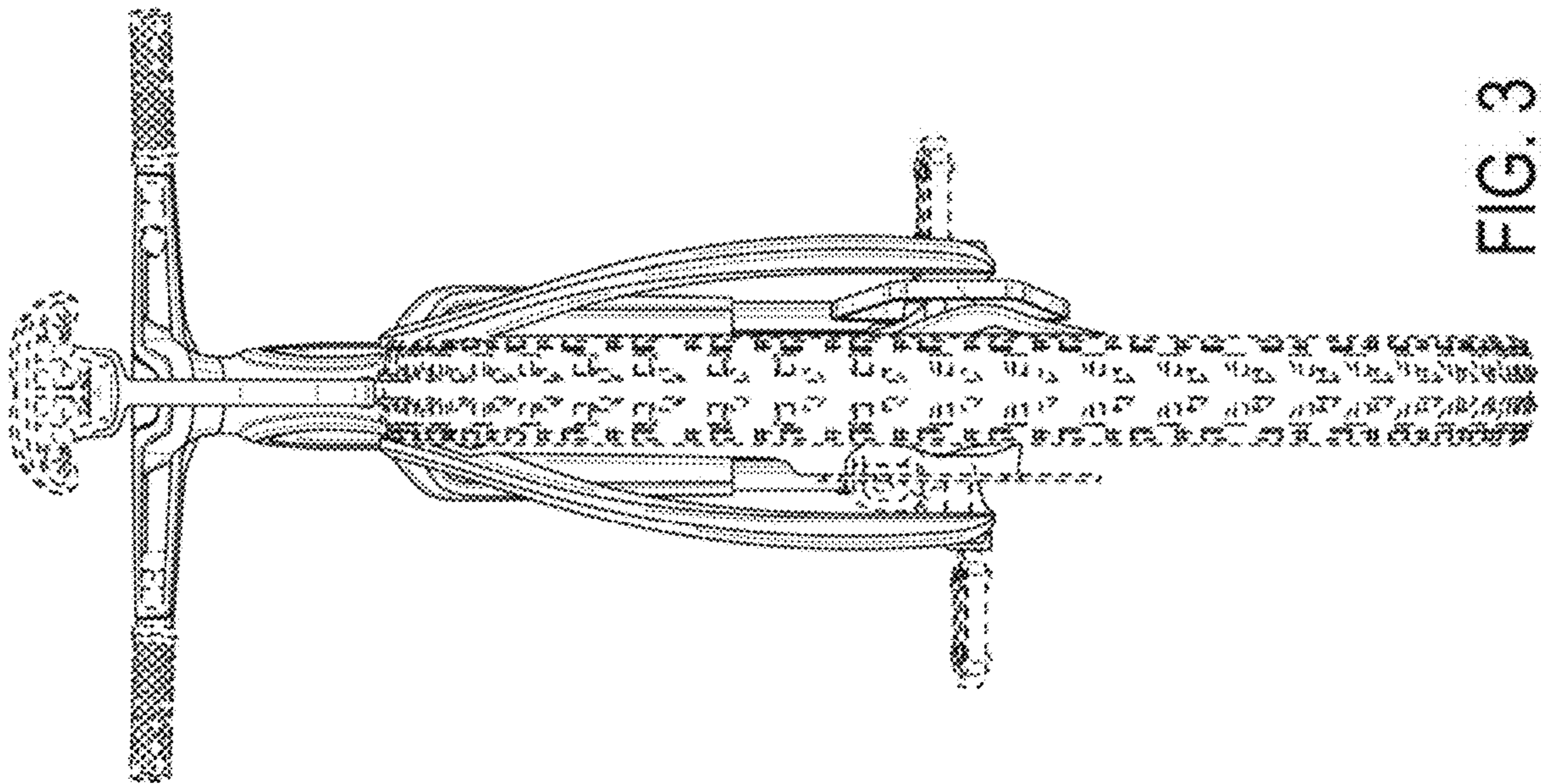


FIG. 3

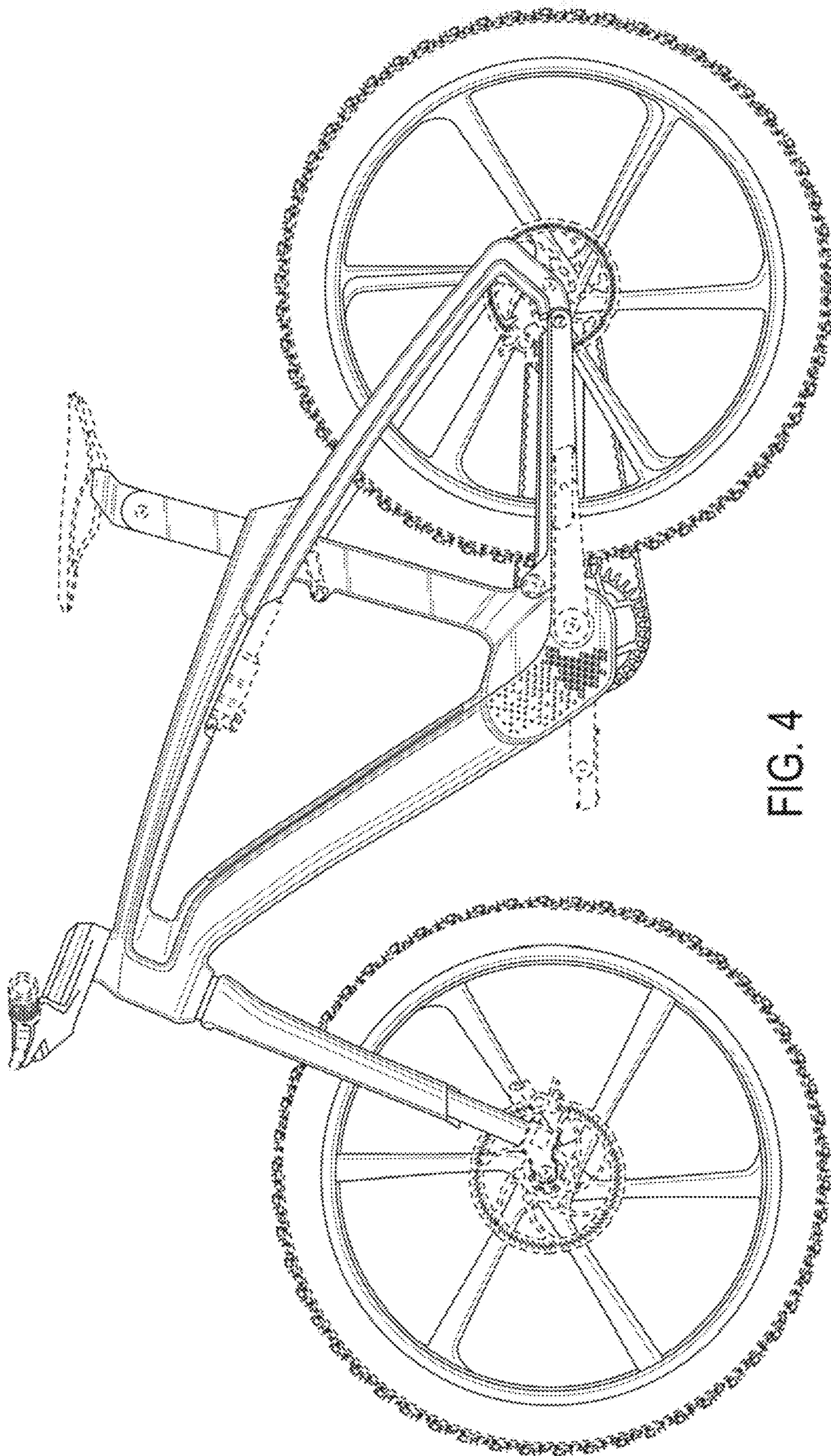


FIG. 4

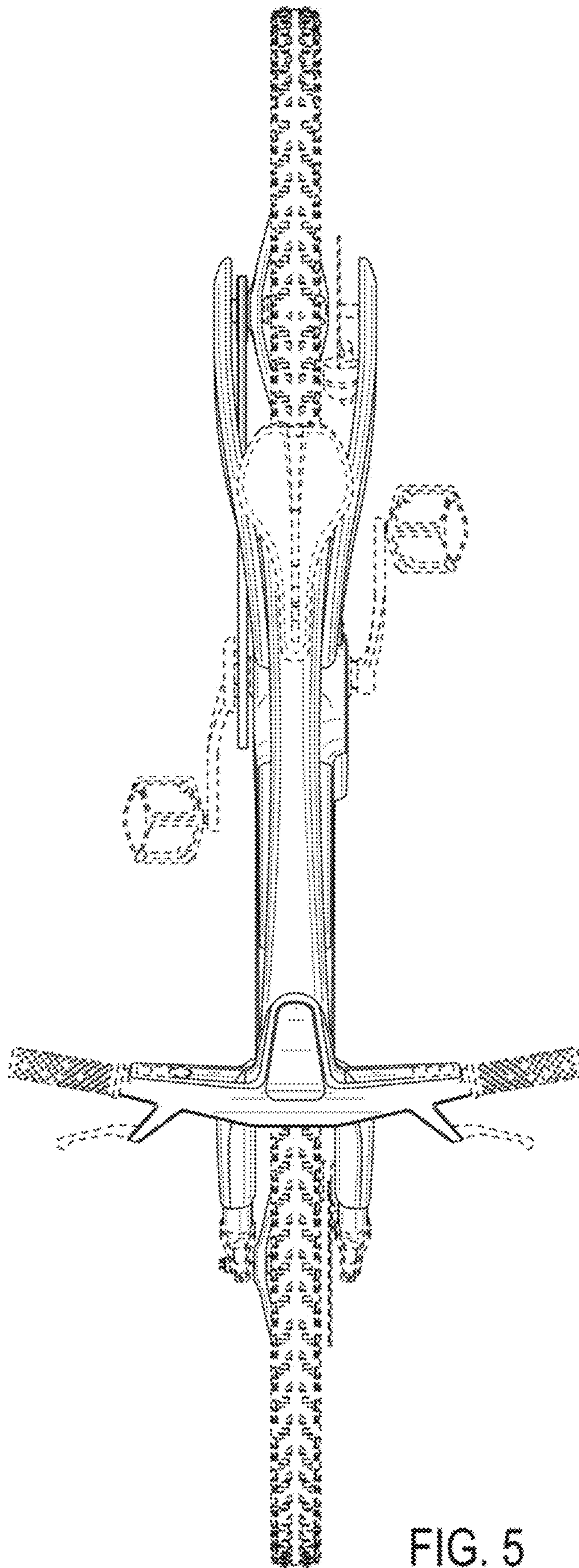


FIG. 5