



US00D920850S

(12) **United States Design Patent** (10) **Patent No.:** **US D920,850 S**
Daniels et al. (45) **Date of Patent:** **** Jun. 1, 2021**

(54) **MOTORCYCLE**
(71) Applicant: **Harley-Davidson Motor Company Group, LLC, Milwaukee, WI (US)**
(72) Inventors: **Mark Daniels, Mequon, WI (US); Frank Savage, Fox Point, WI (US); Brad Richards, Grafton, WI (US)**

D462,638 S * 9/2002 Davidson D12/110
D482,300 S * 11/2003 Davidson D12/110
D482,640 S * 11/2003 TaMuRa D12/110
D506,163 S * 6/2005 Uemoto D12/110
D511,718 S * 11/2005 Manchester D12/110
D517,957 S * 3/2006 Savage D12/110
D524,192 S * 7/2006 Sugimoto D12/110
D525,919 S * 8/2006 Sugimoto D12/110

(Continued)

(73) Assignee: **Harley-Davidson Motor Company Group, LLC, Milwaukee, WI (US)**

FOREIGN PATENT DOCUMENTS

(**) Term: **15 Years**

JP 2008-095688 4/2008
JP 2010-180880 8/2010

(Continued)

(21) Appl. No.: **29/706,757**

OTHER PUBLICATIONS

(22) Filed: **Sep. 23, 2019**

Allowance and its English translation for JP application No. 2020-005382, dated Jun. 1, 2020, 4 pages.

(51) **LOC (13) Cl.** **12-11**

(Continued)

(52) **U.S. Cl.**
USPC **D12/110**

(58) **Field of Classification Search**
USPC D12/110, 111, 117; D21/432, 538
CPC B62K 11/00; B62K 11/02; B62K 11/04;
B62K 11/10; B62K 17/00; B62K 19/00;
B62K 2202/00

Primary Examiner — Darlington Ly
(74) *Attorney, Agent, or Firm* — Foley & Lardner LLP

See application file for complete search history.

(57) **CLAIM**

We claim the ornamental design for a motorcycle, as shown and described.

(56) **References Cited**

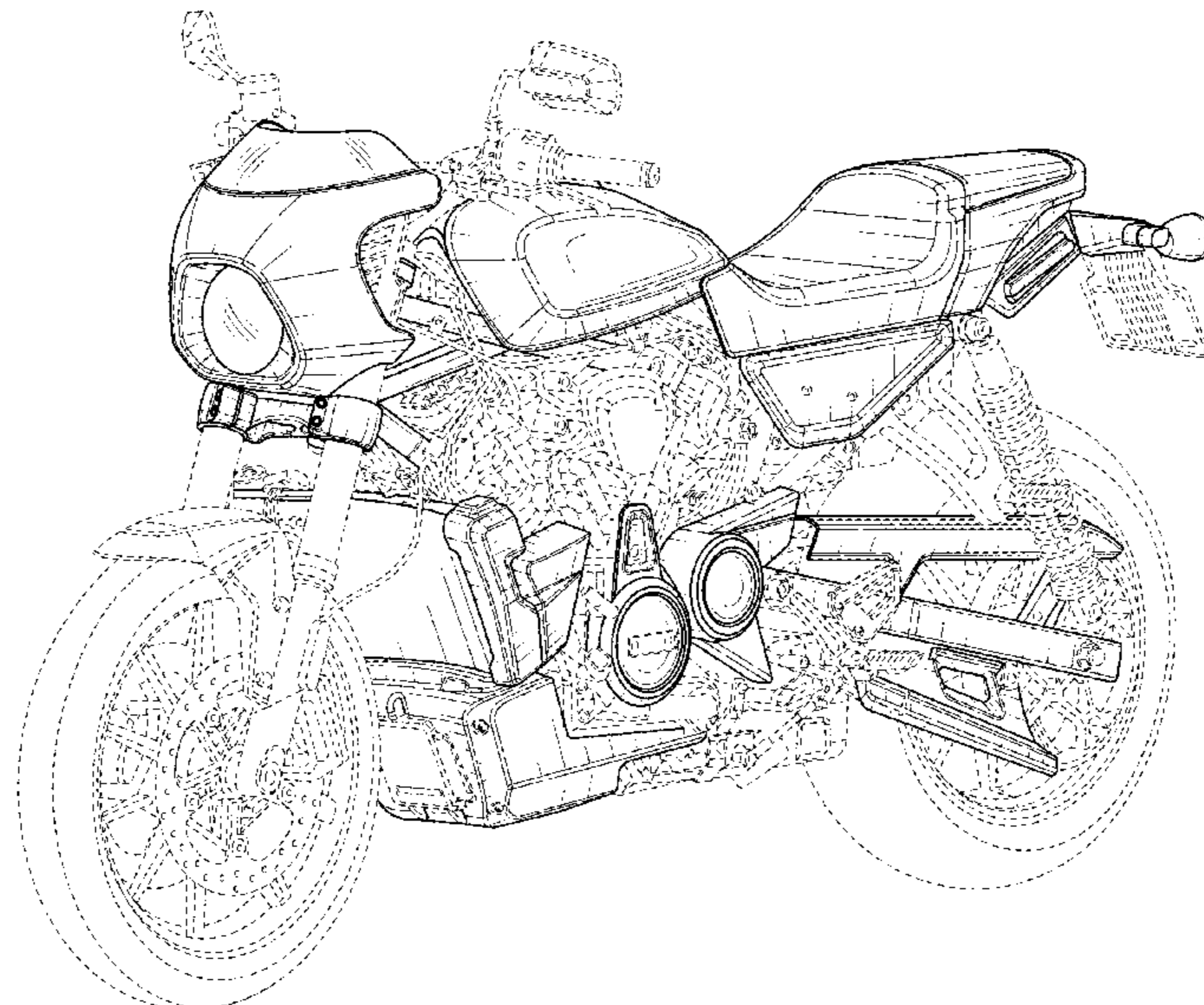
DESCRIPTION

U.S. PATENT DOCUMENTS

D396,204 S * 7/1998 Kishi D12/110
D398,265 S * 9/1998 Robb D12/110
D401,892 S * 12/1998 Sugimoto D12/110
D407,047 S * 3/1999 Otsubo D12/110
D416,215 S * 11/1999 Hanlon D12/110
D439,868 S * 4/2001 Sugimoto D12/110
D440,189 S * 4/2001 Ban D12/110
D442,521 S * 5/2001 Pan D12/110
D442,892 S * 5/2001 Timmermann D12/110
D447,722 S * 9/2001 Ito D12/110
D447,985 S * 9/2001 Ino D12/110
D453,126 S * 1/2002 Nakazawa D12/110
D456,748 S * 5/2002 Keating D12/110

FIG. 1 is a front and left side perspective view of a motorcycle embodying our new design; FIG. 2 is a front elevation view thereof; FIG. 3 is a rear elevation view thereof; FIG. 4 is a right side elevation view thereof; FIG. 5 is a left side elevation view thereof; FIG. 6 is a top plan view thereof; and, FIG. 7 is a bottom plan view thereof. The broken lines in the drawings illustrate portions of the motorcycle that form no part of the claimed design.

1 Claim, 7 Drawing Sheets



(56)

References Cited

U.S. PATENT DOCUMENTS

D528,045 S * 9/2006 Yin D12/110
 D544,816 S 6/2007 Davidson et al.
 D550,591 S * 9/2007 Mugikura D12/110
 D567,148 S * 4/2008 Inose D12/110
 D582,318 S * 12/2008 Kishi D12/110
 D582,319 S * 12/2008 Miwa D12/110
 D588,503 S * 3/2009 Idei D12/110
 D594,785 S * 6/2009 Sasanami D12/110
 D597,892 S * 8/2009 Andoh D12/110
 7,607,504 B2 * 10/2009 Yamasaki B62K 11/04
 180/219
 D610,044 S * 2/2010 Sugimoto D12/110
 D626,036 S * 10/2010 Yamazumi D12/110
 D635,060 S * 3/2011 Ota D12/110
 D637,523 S * 5/2011 Sugimoto D12/110
 D683,270 S * 5/2013 Song D12/110
 D683,271 S * 5/2013 Song D12/110
 D694,154 S * 11/2013 Arru D12/110
 D716,702 S * 11/2014 Song D12/110
 D723,979 S * 3/2015 Yu D12/110
 D732,436 S * 6/2015 Christoph D12/110
 D734,214 S * 7/2015 Honda D12/110
 D744,906 S * 12/2015 Song D12/110
 D774,964 S * 12/2016 Akashi D12/110

D796,384 S * 9/2017 Galluzzi D12/110
 D796,385 S * 9/2017 Galluzzi D12/110
 10,252,761 B2 * 4/2019 Naymark B62J 1/08
 D862,293 S 10/2019 McGinley et al.
 10,494,045 B2 * 12/2019 Koishikawa B62K 19/38
 D880,365 S * 4/2020 McGinley D12/110

FOREIGN PATENT DOCUMENTS

JP 1637150 7/2019
 JP 1639436 8/2019

OTHER PUBLICATIONS

Allowance and its English translation received for JP application No. 2020-005383, dated Jun. 1, 2020, 4 pages.
 Goggle, Ride Life Magazine, No. 6, vol. 33, Nov. 1, 2016, p. 37.
 Harley-Davidson Motor Company homepage retrieved Jun. 1, 2020.
 Harley-Davidson Motor Company homepage, "The Street Is Where I #Steelhearts", "The New Harley-Davidson Street 750 & 500 Motorcycles", retrieved Jun. 1, 2020.
 Mono Magazine, No. 10, vol. 37, May 16, 2018, p. 33.
 Motorcycle, "Japan Bike of the Year & Import Bike of the Year", No. 10, vol. 80, Oct. 1, 2014, p. 120.

* cited by examiner

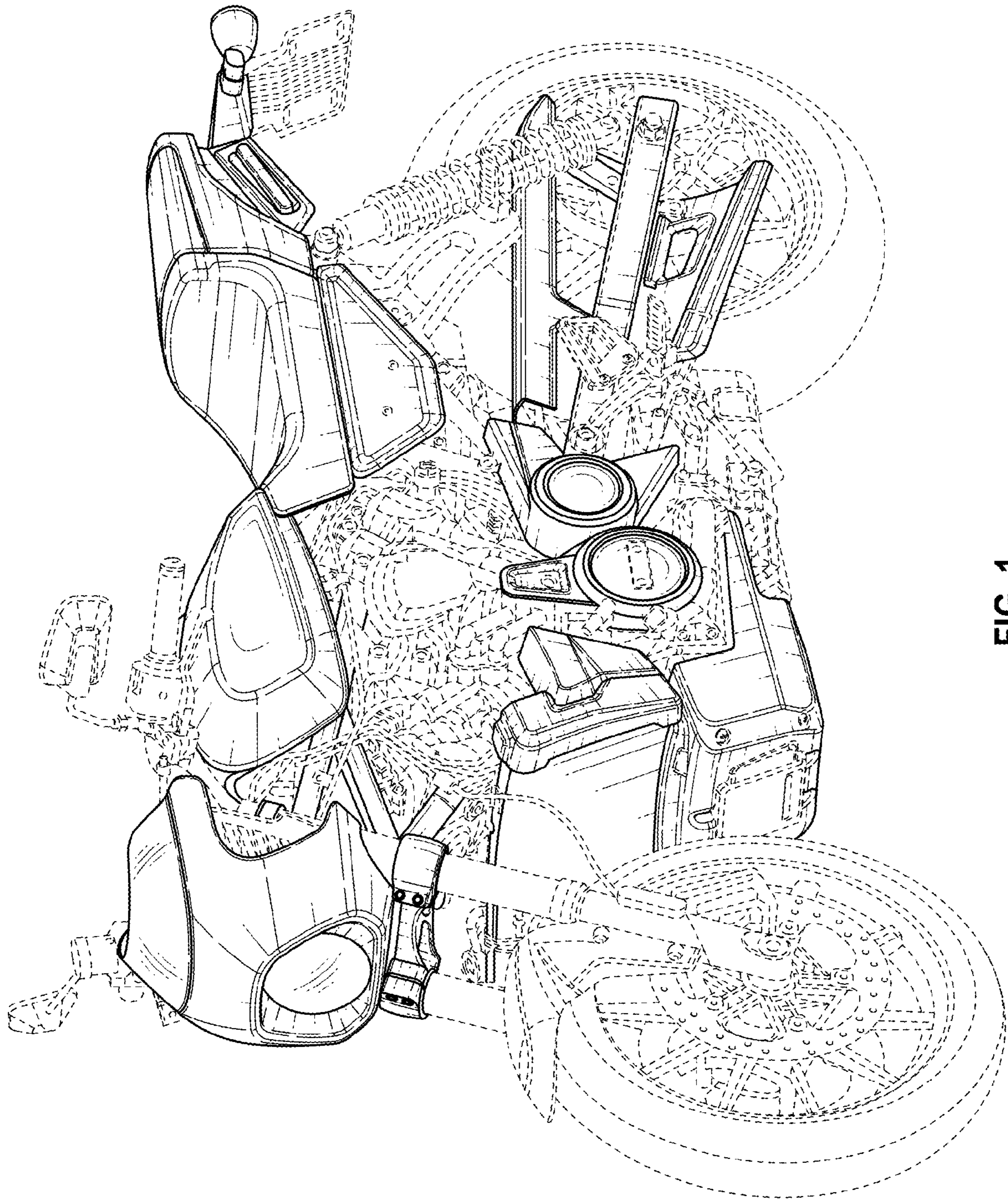


FIG. 1

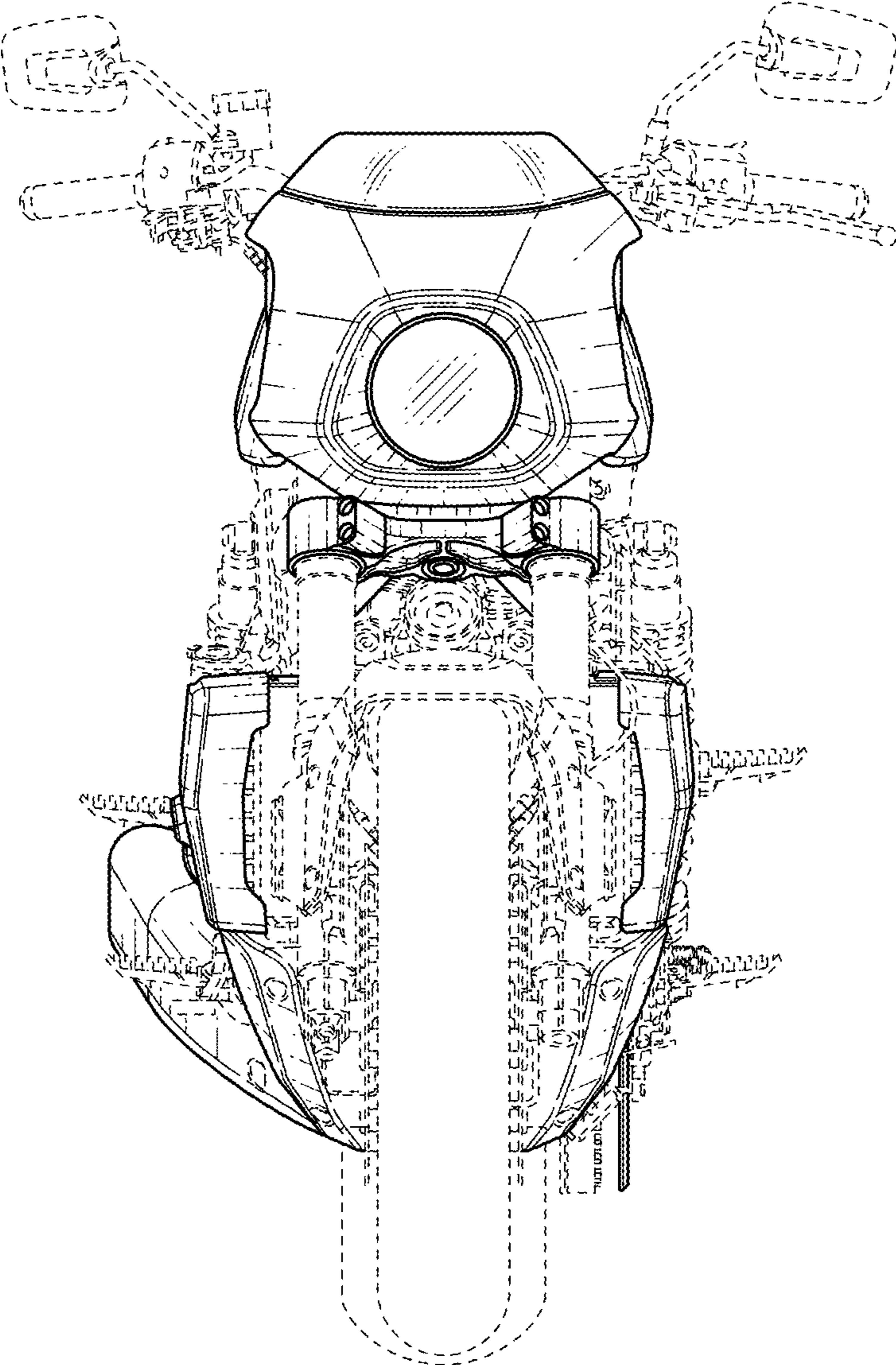


FIG. 2

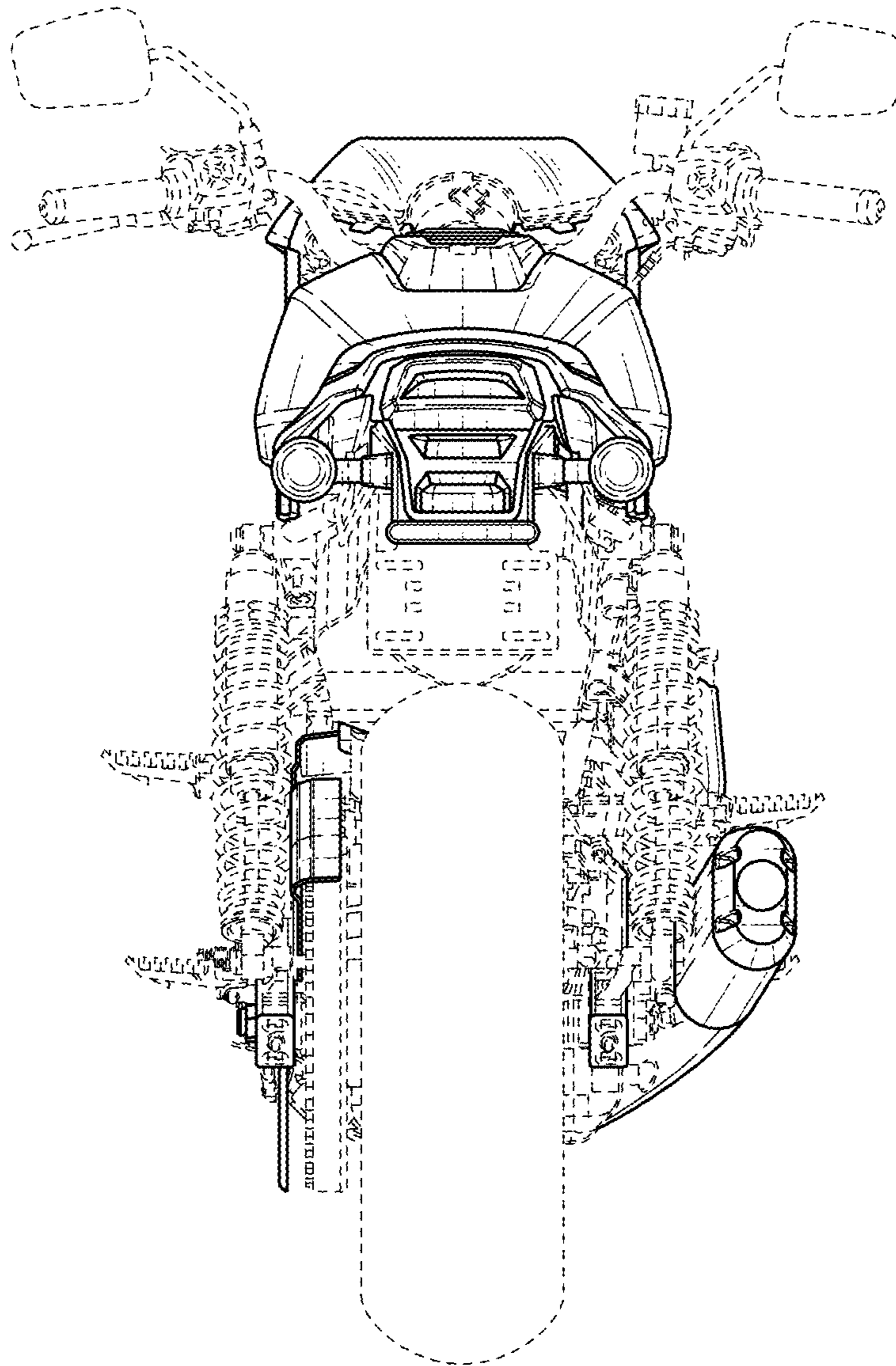


FIG. 3

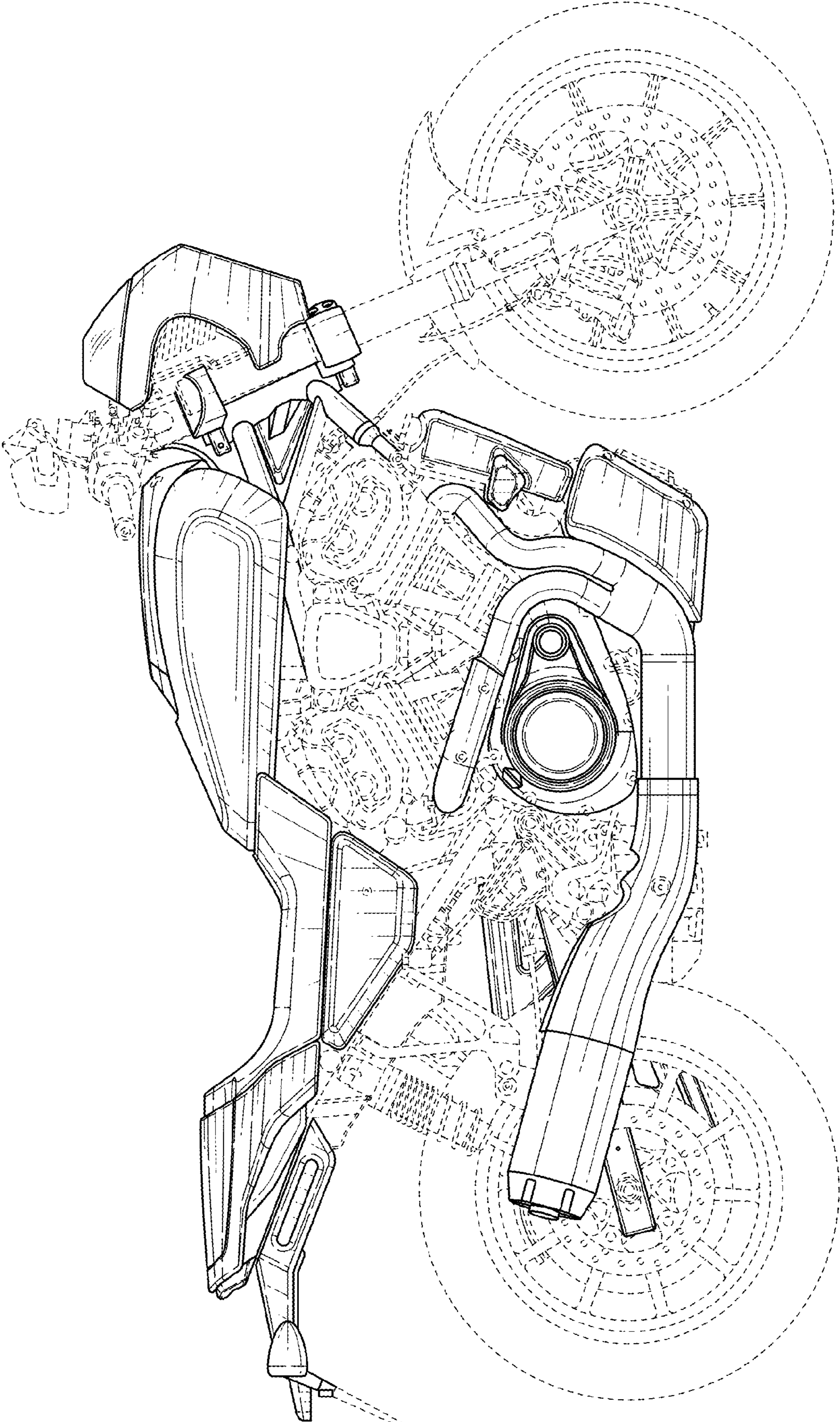


FIG. 4

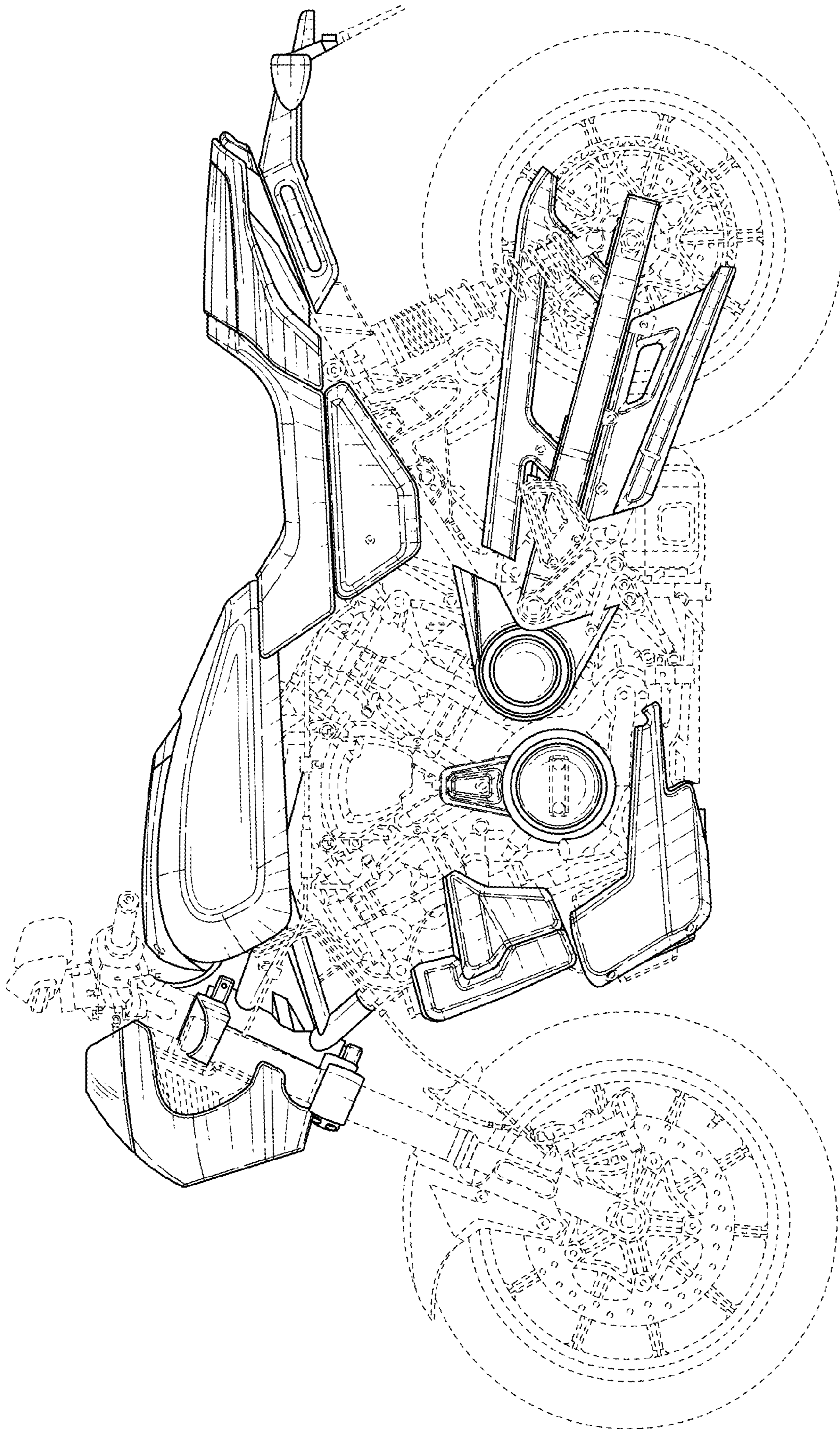


FIG. 5

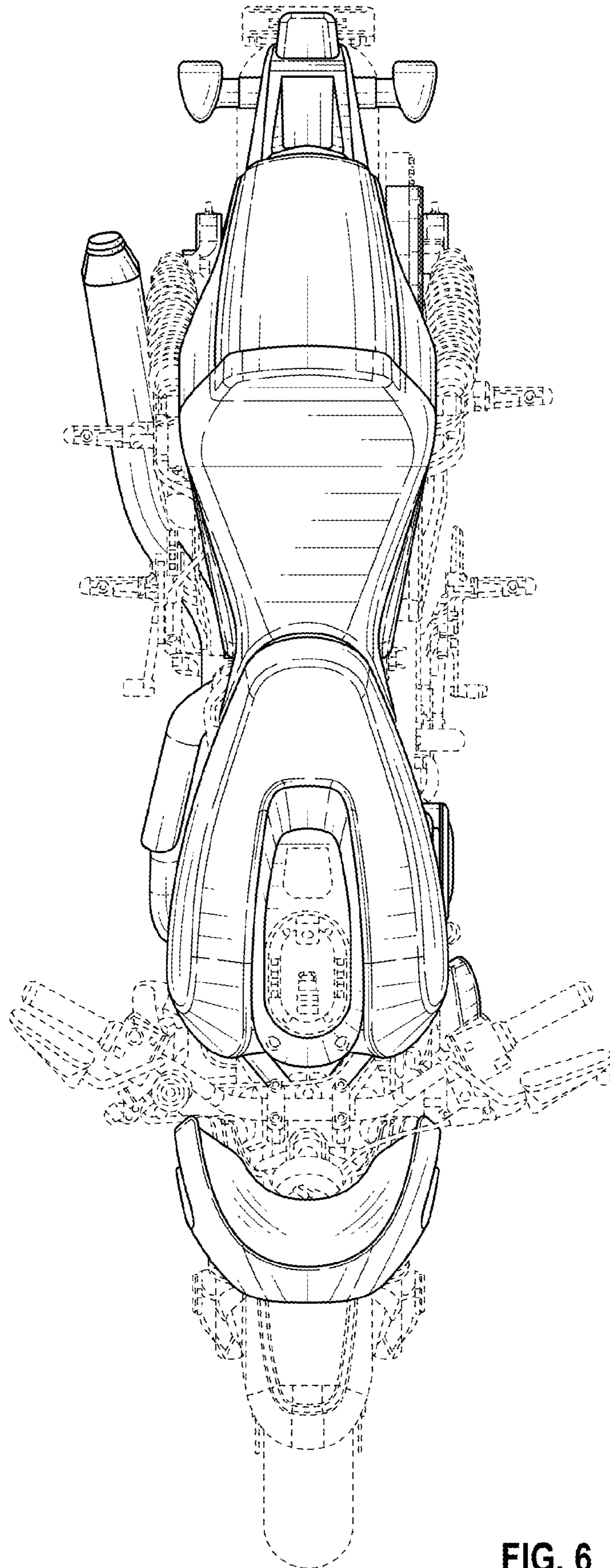


FIG. 6

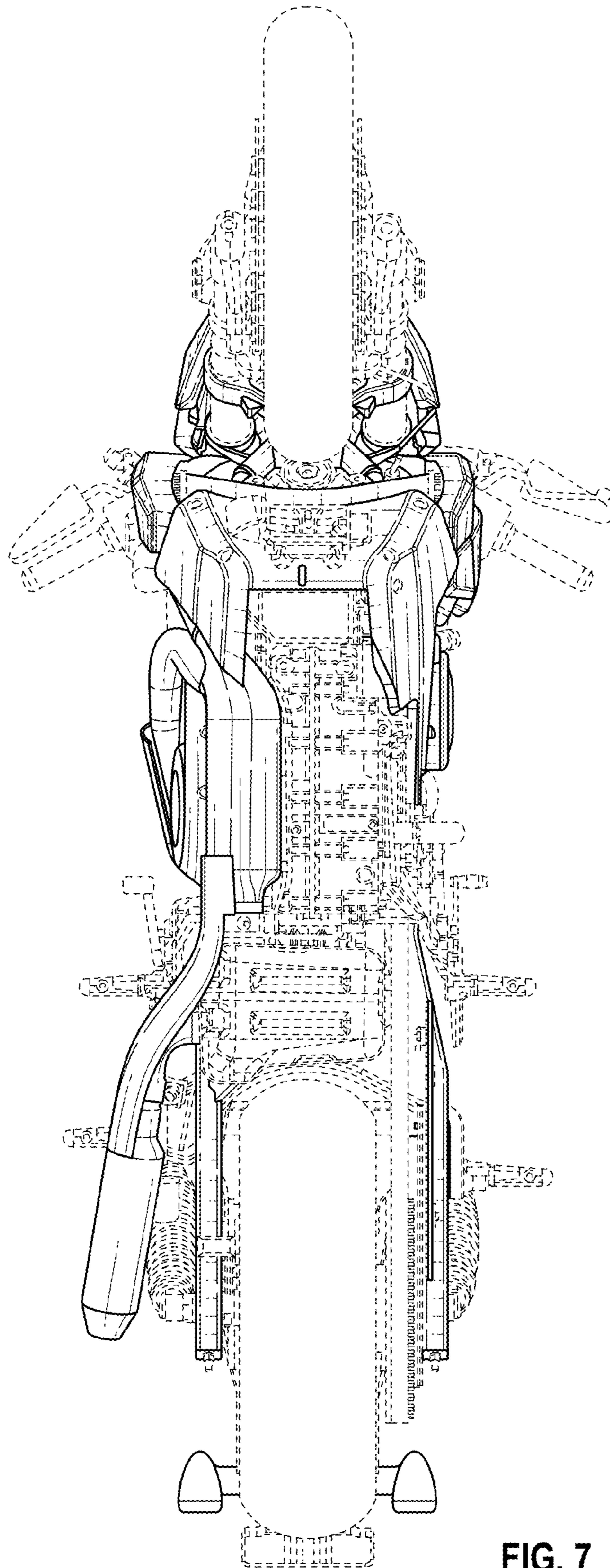


FIG. 7