



US00D920846S

(12) **United States Design Patent** (10) **Patent No.:** **US D920,846 S**
Davidson (45) **Date of Patent:** **** Jun. 1, 2021**

(54) **VEHICLE BODY AND/OR REPLICA**

(71) Applicant: **HONDA MOTOR CO., LTD.**, Tokyo (JP)

(72) Inventor: **Benjamin Davidson**, Torrance, CA (US)

(73) Assignee: **HONDA MOTOR CO., LTD.**, Tokyo (JP)

(**) Term: **15 Years**

(21) Appl. No.: **29/689,605**

(22) Filed: **Apr. 30, 2019**

(51) **LOC (13) Cl.** **12-08**

(52) **U.S. Cl.**
USPC **D12/92**

(58) **Field of Classification Search**
USPC D12/86, 90-92, 88, 164; D21/424, 433, D21/434; 296/181.1-181.5, 183.1
CPC B62D 25/00; B62D 25/06; B62D 33/00; B62D 35/00
See application file for complete search history.

(56) **References Cited**

U.S. PATENT DOCUMENTS

D494,891 S	*	8/2004	Hoelzel	D12/92
D507,992 S	*	8/2005	Stephenson	D12/92
D508,438 S	*	8/2005	Tanaka	D12/92
D517,949 S	*	3/2006	Nielander	D12/92
D550,126 S	*	9/2007	Amprimo	D12/88

D555,040 S	*	11/2007	Davidson	D12/92
D555,041 S	*	11/2007	Davidson	D12/92
D561,645 S	*	2/2008	Kim	D12/92
D576,523 S	*	9/2008	Battams	D12/88
D728,427 S	*	5/2015	Kim	D12/92
D734,212 S	*	7/2015	Stephenson	D12/92
D734,213 S	*	7/2015	Stephenson	D12/92
D768,035 S	*	10/2016	Goto	D12/88
D790,405 S	*	6/2017	Christensen	D12/92
D796,998 S	*	9/2017	Christensen	D12/92
D867,214 S	*	11/2019	Kato	D12/92

* cited by examiner

Primary Examiner — Melody N Brown

(74) *Attorney, Agent, or Firm* — Arent Fox LLP

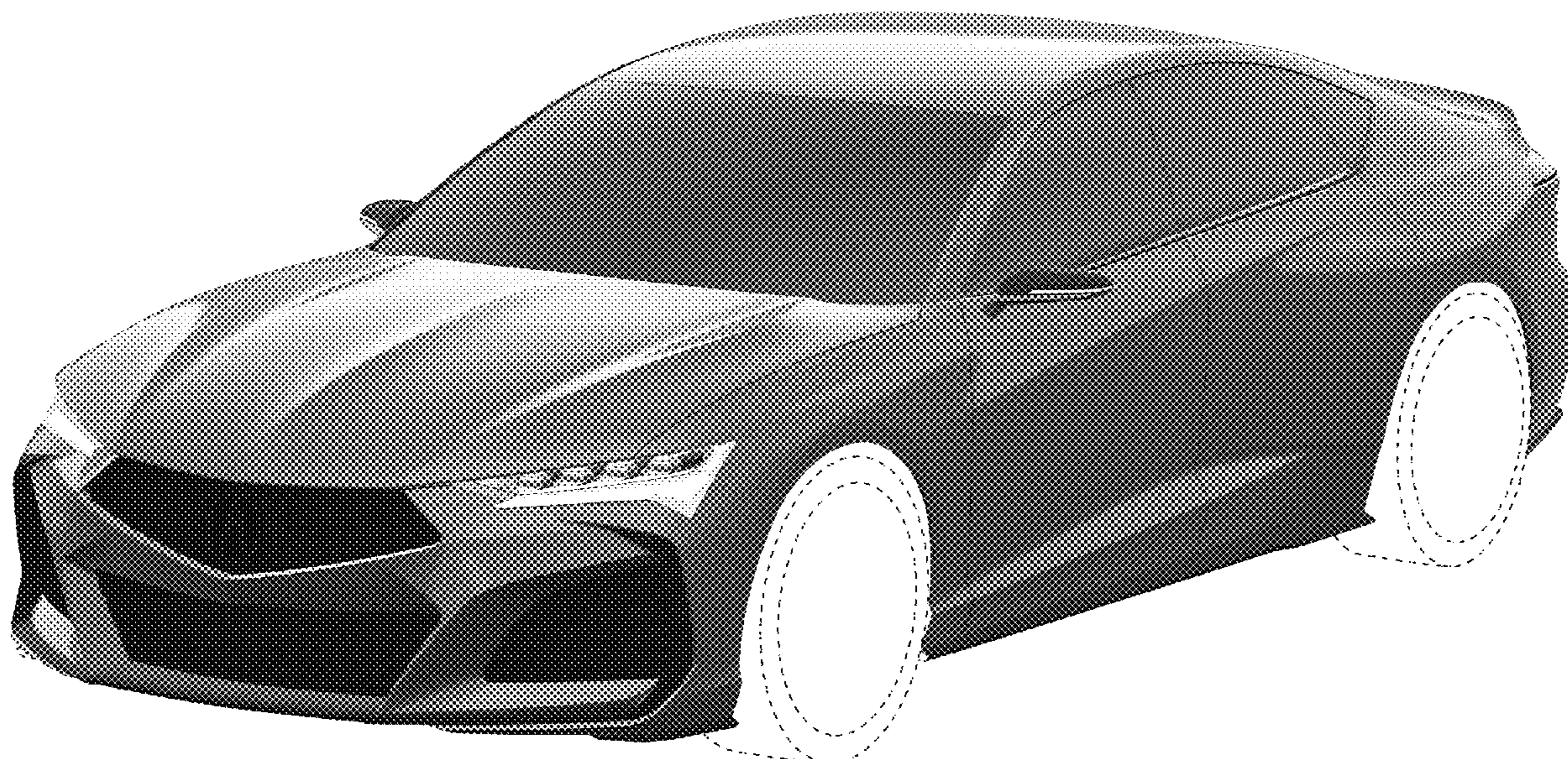
(57) **CLAIM**

The ornamental design for a vehicle body and/or replica, as shown and described.

DESCRIPTION

FIG. 1 is a right, front perspective view of a vehicle body and/or replica showing my new design;
FIG. 2 is a right, rear perspective view thereof;
FIG. 3 is a front elevational view thereof;
FIG. 4 is a rear elevational view thereof;
FIG. 5 is a right side elevational view thereof, the left side being a mirror image thereof; and,
FIG. 6 is a top plan view thereof.
The bottom of the vehicle body and/or replica forms no part of the claimed design.
The wheels shown in broken lines are for environmental and illustrative purposes that form no part of the claimed design.

1 Claim, 6 Drawing Sheets



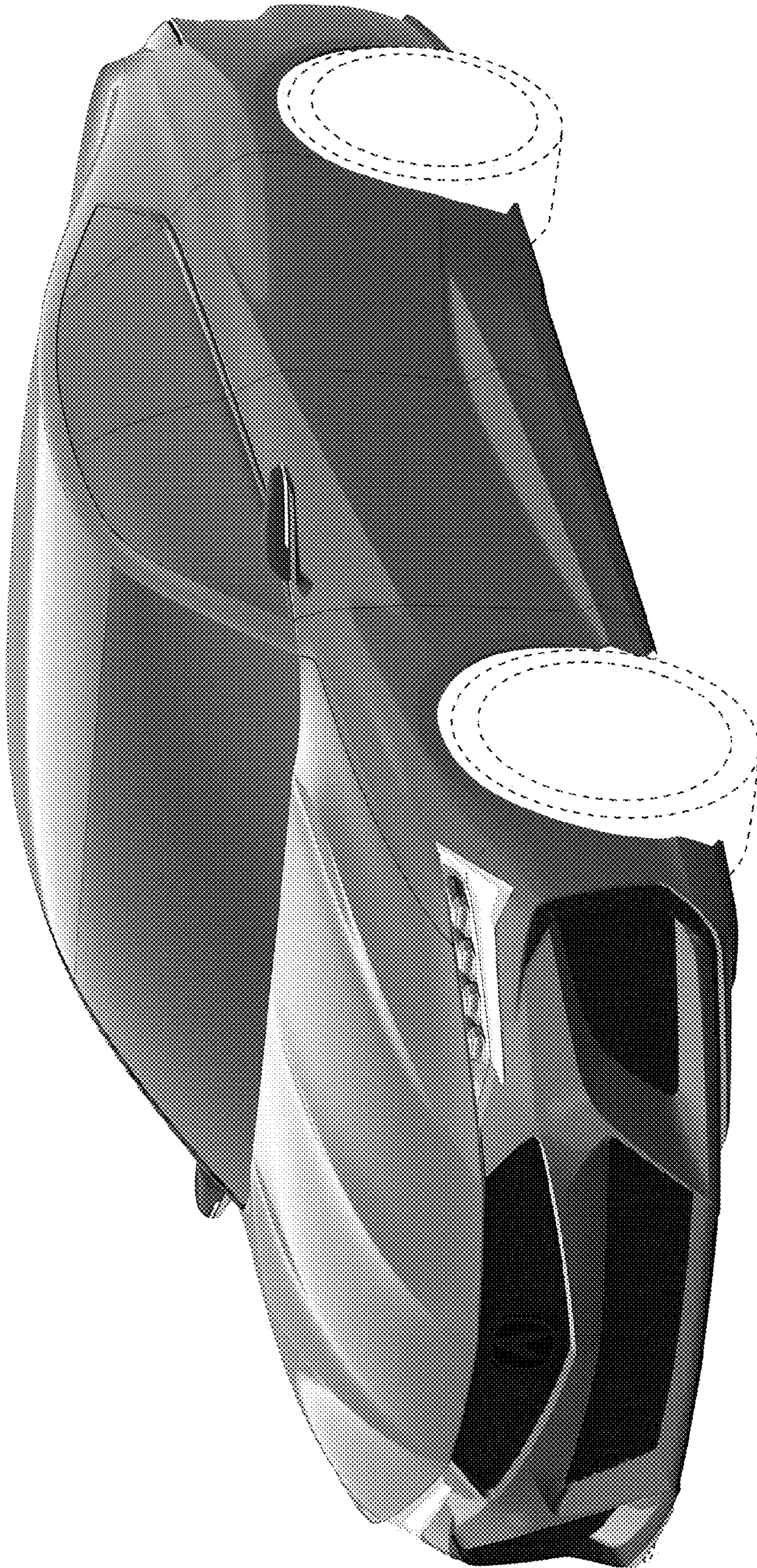


FIG. 1

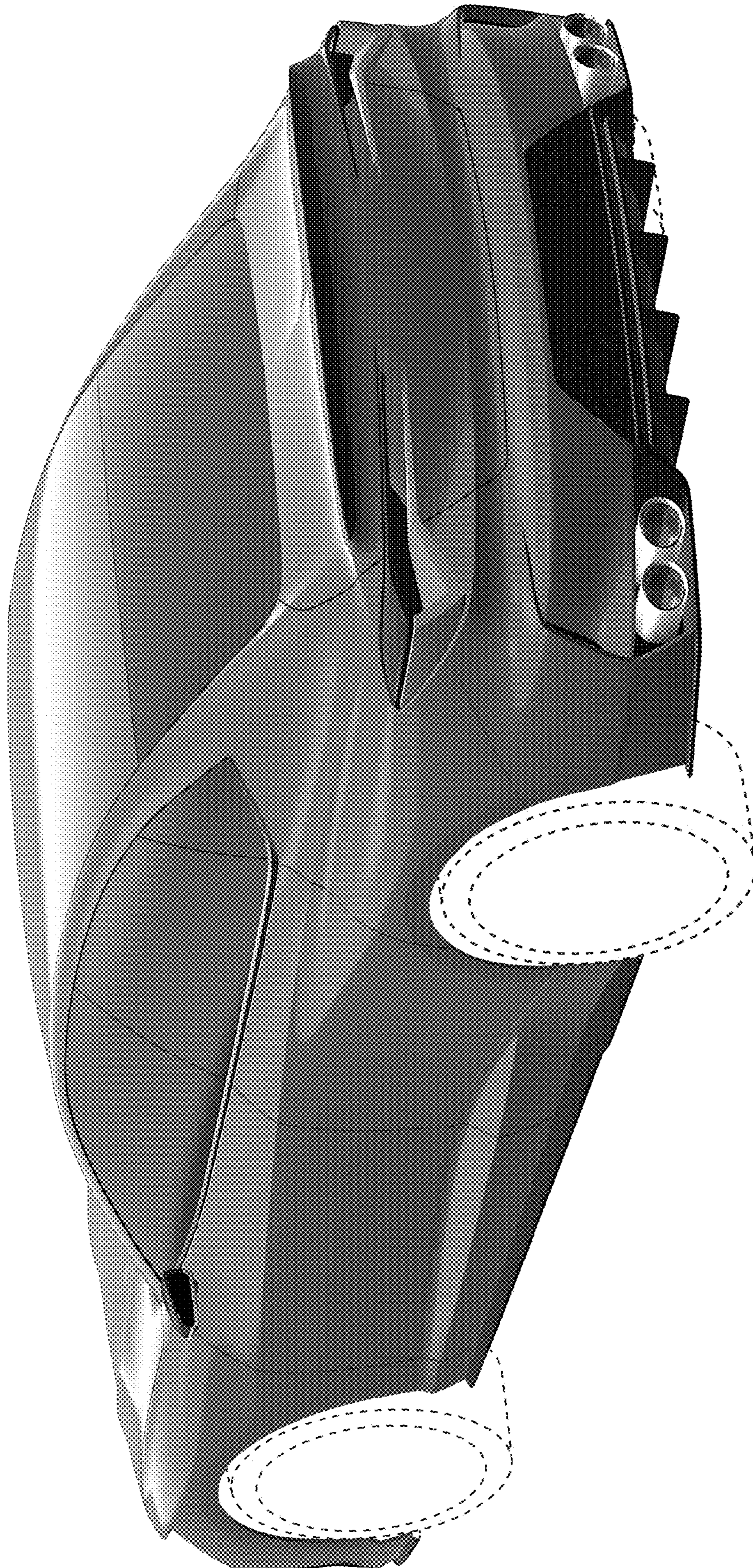


FIG. 2

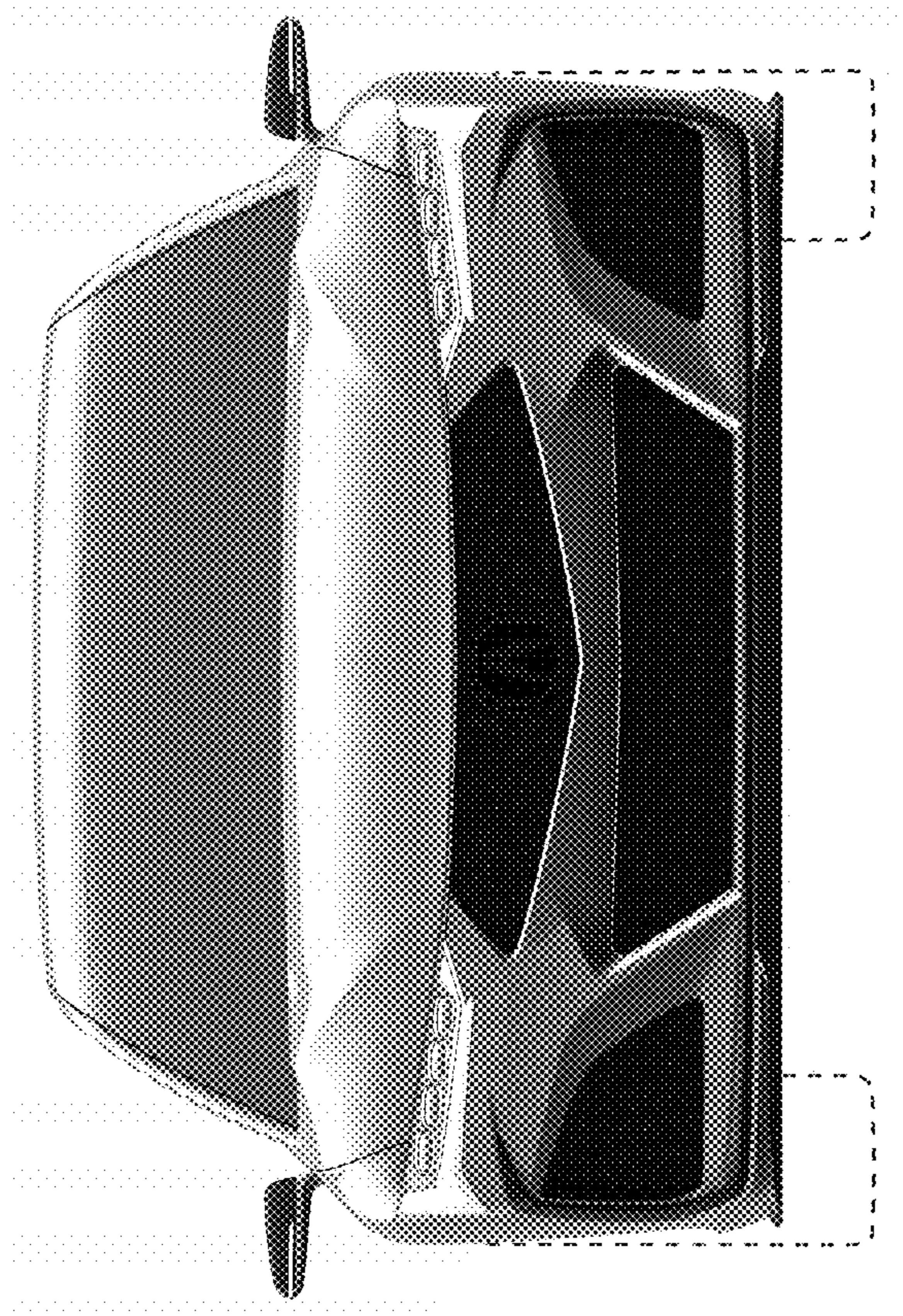


FIG. 3

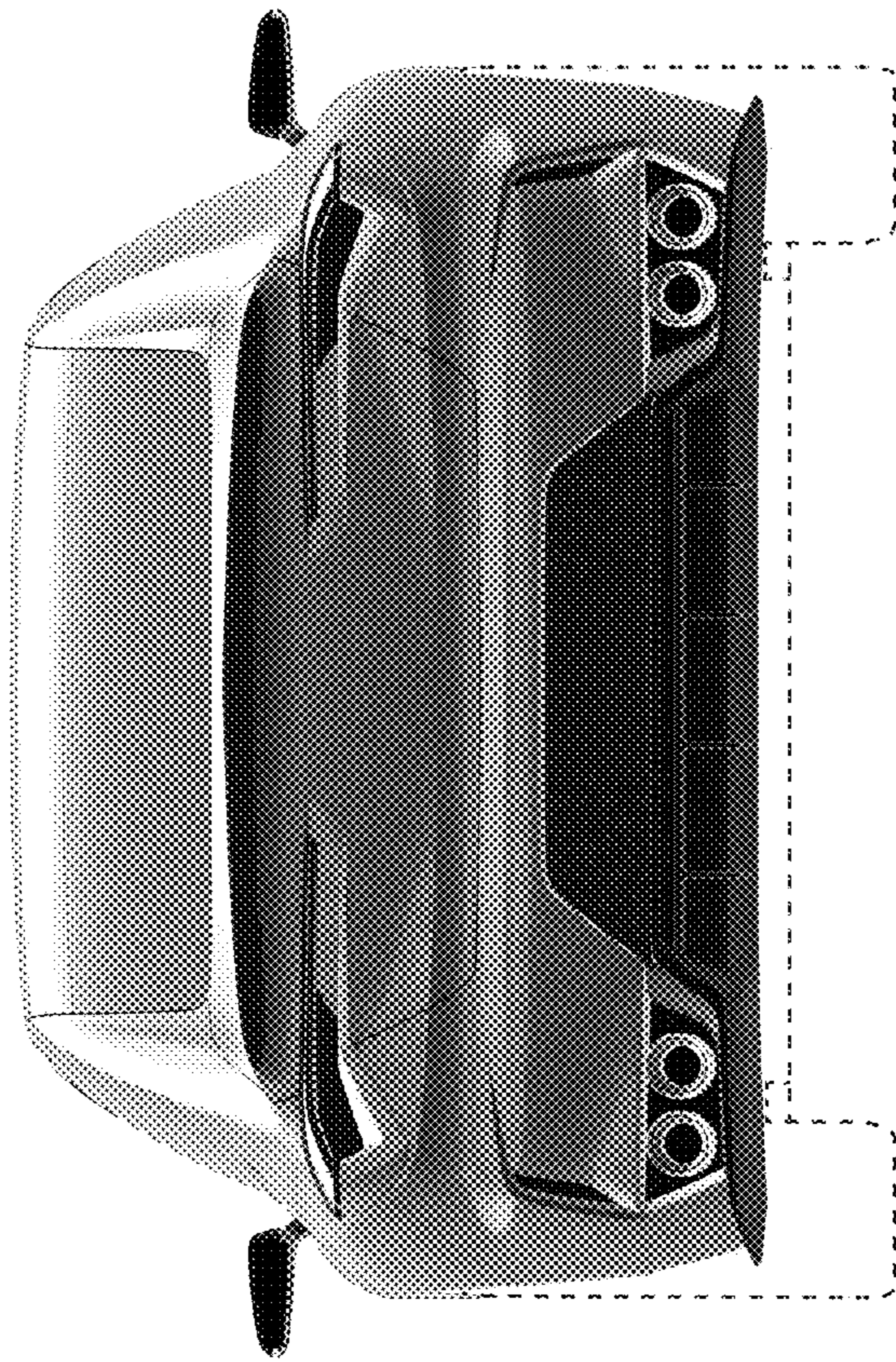


FIG. 4

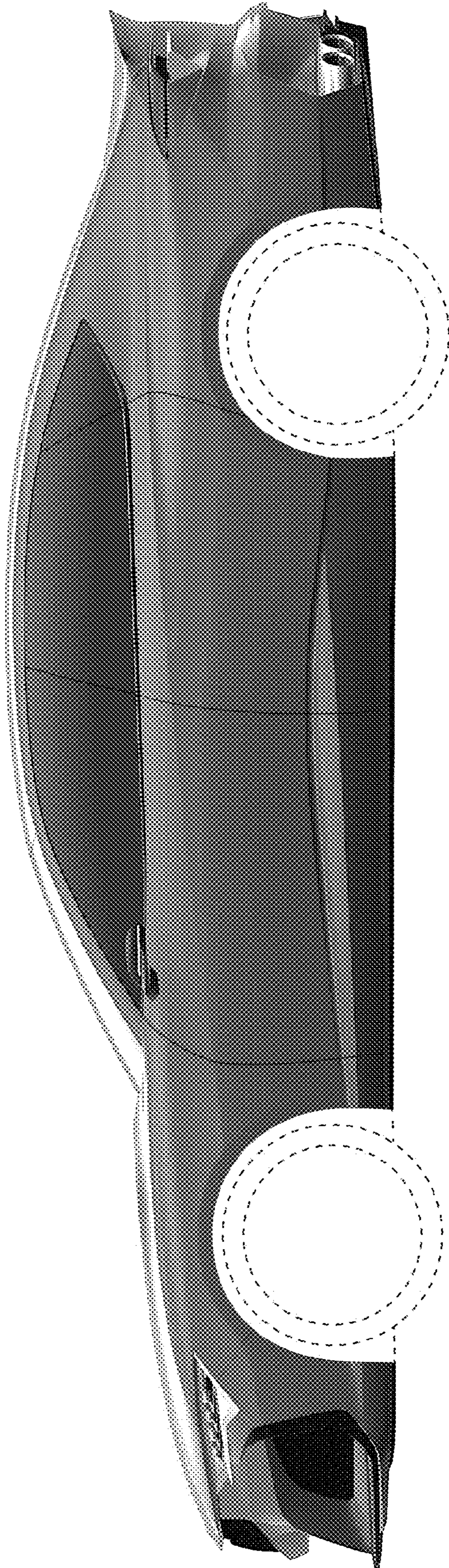


FIG. 5



FIG. 6