



US00D920844S

(12) **United States Design Patent**
Chung et al.

(10) **Patent No.:** **US D920,844 S**
(45) **Date of Patent:** **** Jun. 1, 2021**

(54) **VEHICLE BODY AND/OR REPLIC**

(71) Applicant: **Honda Motor Co., Ltd.**, Tokyo (JP)

(72) Inventors: **Jae Chung**, Irvine, CA (US); **Randall Smock**, Redondo Beach, CA (US); **Catalin Matei**, Redondo Beach, CA (US)

(73) Assignee: **HONDA MOTOR CO., LTD.**, Tokyo (JP)

(**) Term: **15 Years**

(21) Appl. No.: **29/707,842**

(22) Filed: **Oct. 1, 2019**

(51) **LOC (13) Cl.** **12-08**

(52) **U.S. Cl.**
USPC **D12/91**

(58) **Field of Classification Search**
USPC D12/86, 90-92, 88, 164; D21/424, 433, D21/434; 296/181.1-181.5, 183.1
CPC B62D 25/00; B62D 25/06; B62D 33/00; B62D 35/00
See application file for complete search history.

(56) **References Cited**

U.S. PATENT DOCUMENTS

| | | | | |
|--------------|---------|----------|-------|--------|
| D686,949 S * | 7/2013 | Minami | | D12/91 |
| D689,795 S * | 9/2013 | Takei | | D12/91 |
| D693,737 S * | 11/2013 | Hammoud | | D12/91 |
| D705,700 S * | 5/2014 | Chen | | D12/91 |
| D719,875 S * | 12/2014 | Jang | | D12/91 |
| D759,540 S * | 6/2016 | Davidson | | D12/91 |
| D761,693 S * | 7/2016 | Lian | | D12/91 |

| | | | | |
|--------------|---------|----------------|-------|--------|
| D766,778 S * | 9/2016 | Lian | | D12/91 |
| D803,725 S * | 11/2017 | Suzuki | | D12/91 |
| D804,996 S * | 12/2017 | Sahara | | D12/91 |
| D807,227 S * | 1/2018 | Chen | | D12/91 |
| D810,625 S * | 2/2018 | Sungjun | | D12/91 |
| D820,160 S | 6/2018 | Smock et al. | | |
| D823,165 S * | 7/2018 | Chung | | D12/91 |
| D847,694 S | 5/2019 | Smock et al. | | |
| D883,144 S * | 5/2020 | Schell | | D12/91 |
| D883,147 S * | 5/2020 | Kezha | | D12/92 |
| D888,614 S * | 6/2020 | Melville-Brown | | D12/91 |

* cited by examiner

Primary Examiner — Melody N Brown

(74) *Attorney, Agent, or Firm* — Plumsea Law Group, LLC

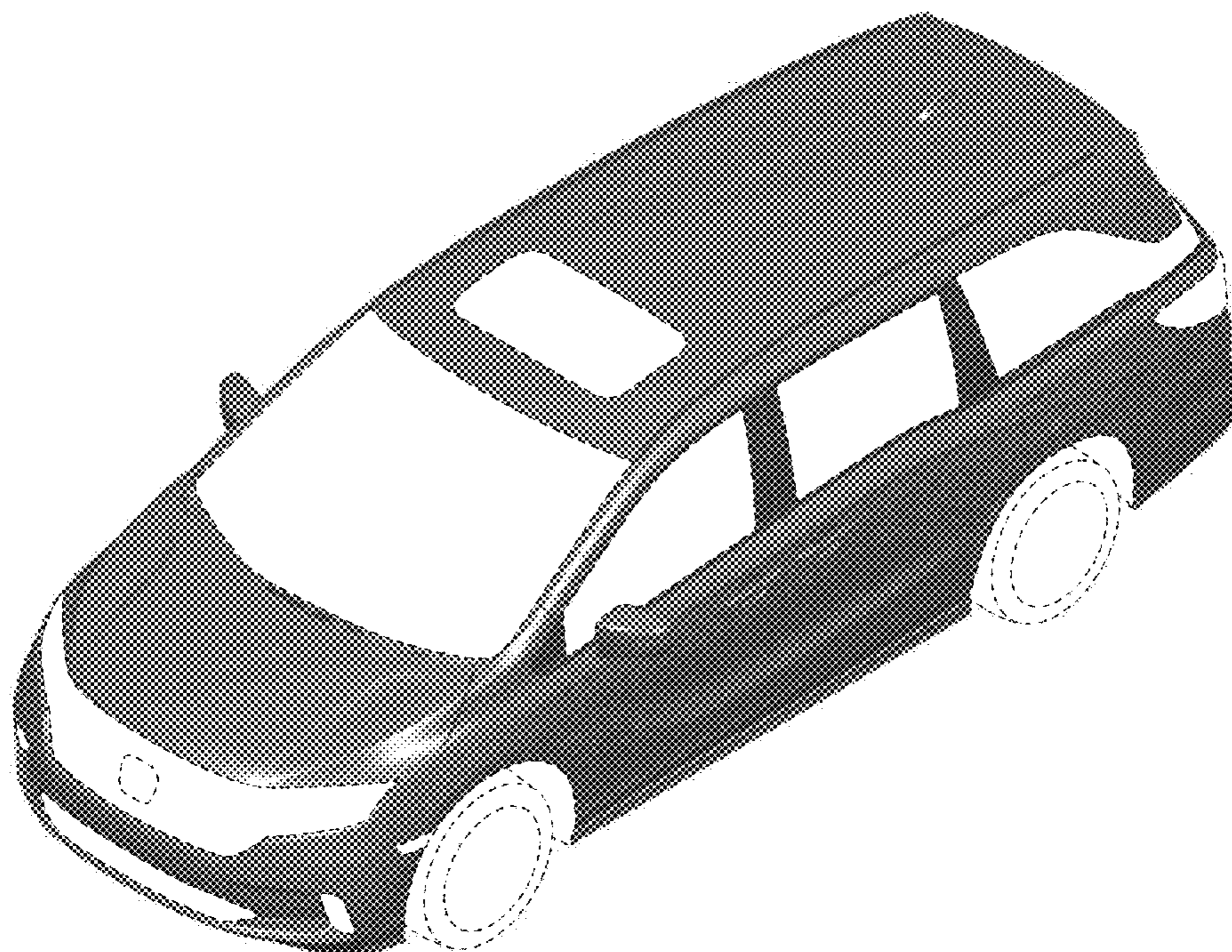
(57) **CLAIM**

The ornamental design for a vehicle body and/or replica, as shown and described.

DESCRIPTION

FIG. 1 is a right, rear perspective view of a vehicle body and/or replica showing our new design; FIG. 2 is a left, rear perspective view thereof; FIG. 3 is a left, front perspective view thereof; FIG. 4 is a right, front perspective view thereof; FIG. 5 is a rear elevational view thereof; FIG. 6 is a front elevational view thereof; FIG. 7 is a left side elevational view thereof; FIG. 8 is a right side elevational view thereof; FIG. 9 is a top plan view thereof; and, FIG. 10 is a bottom plan view thereof. The broken line showing of portions of the vehicle body and/or replica form no part of the claimed design.

1 Claim, 9 Drawing Sheets



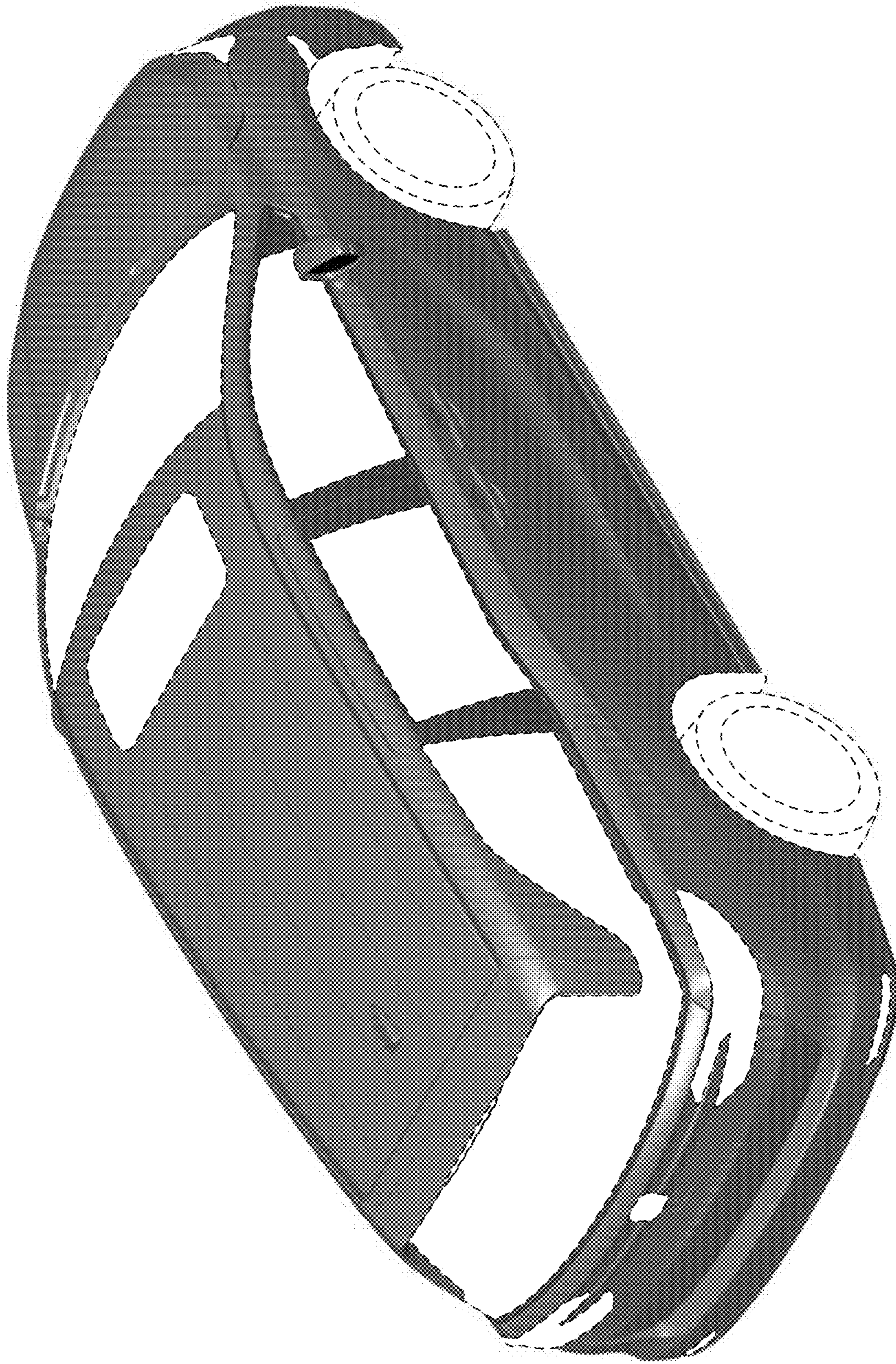


FIG. 1

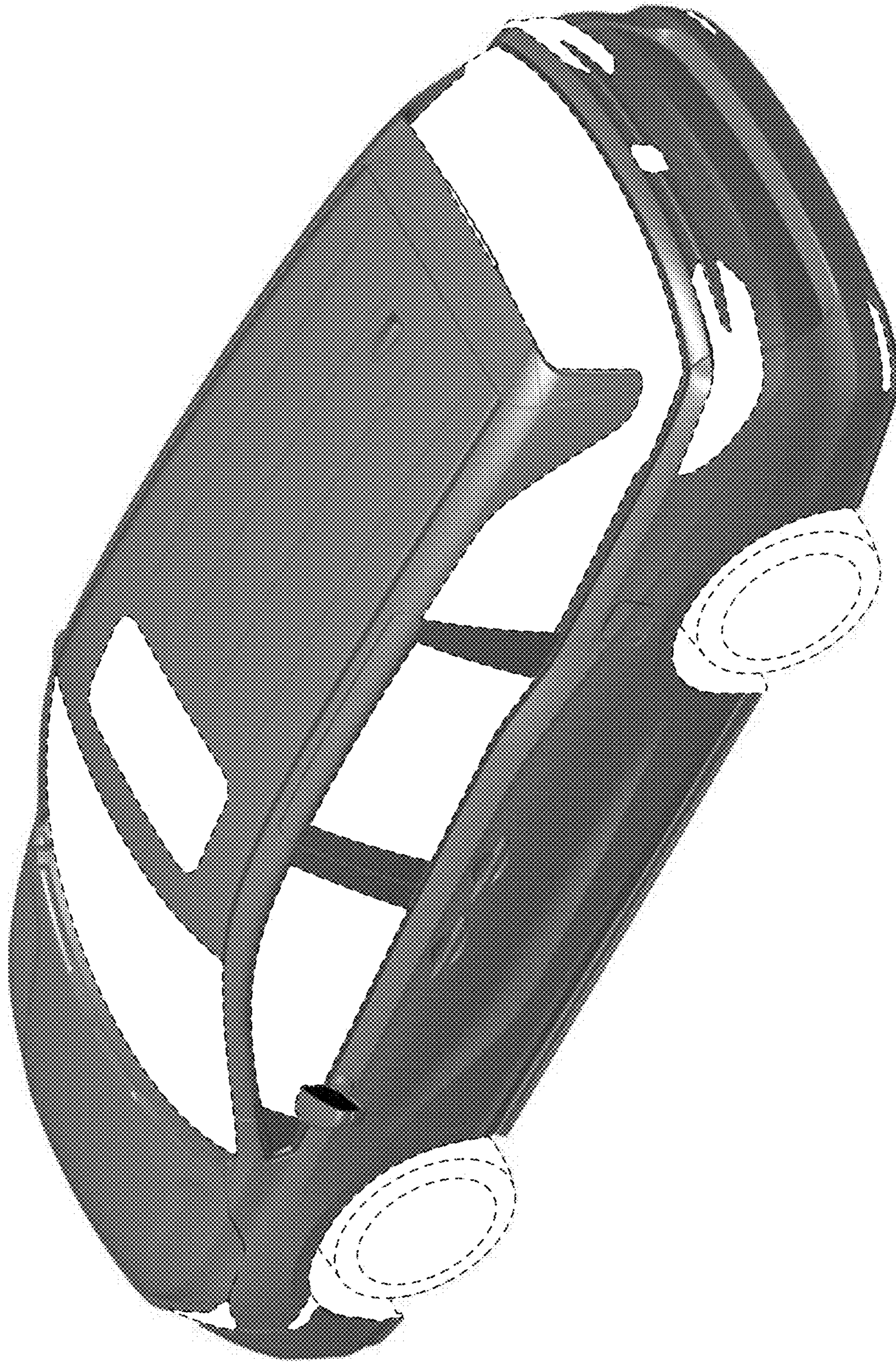


FIG. 2

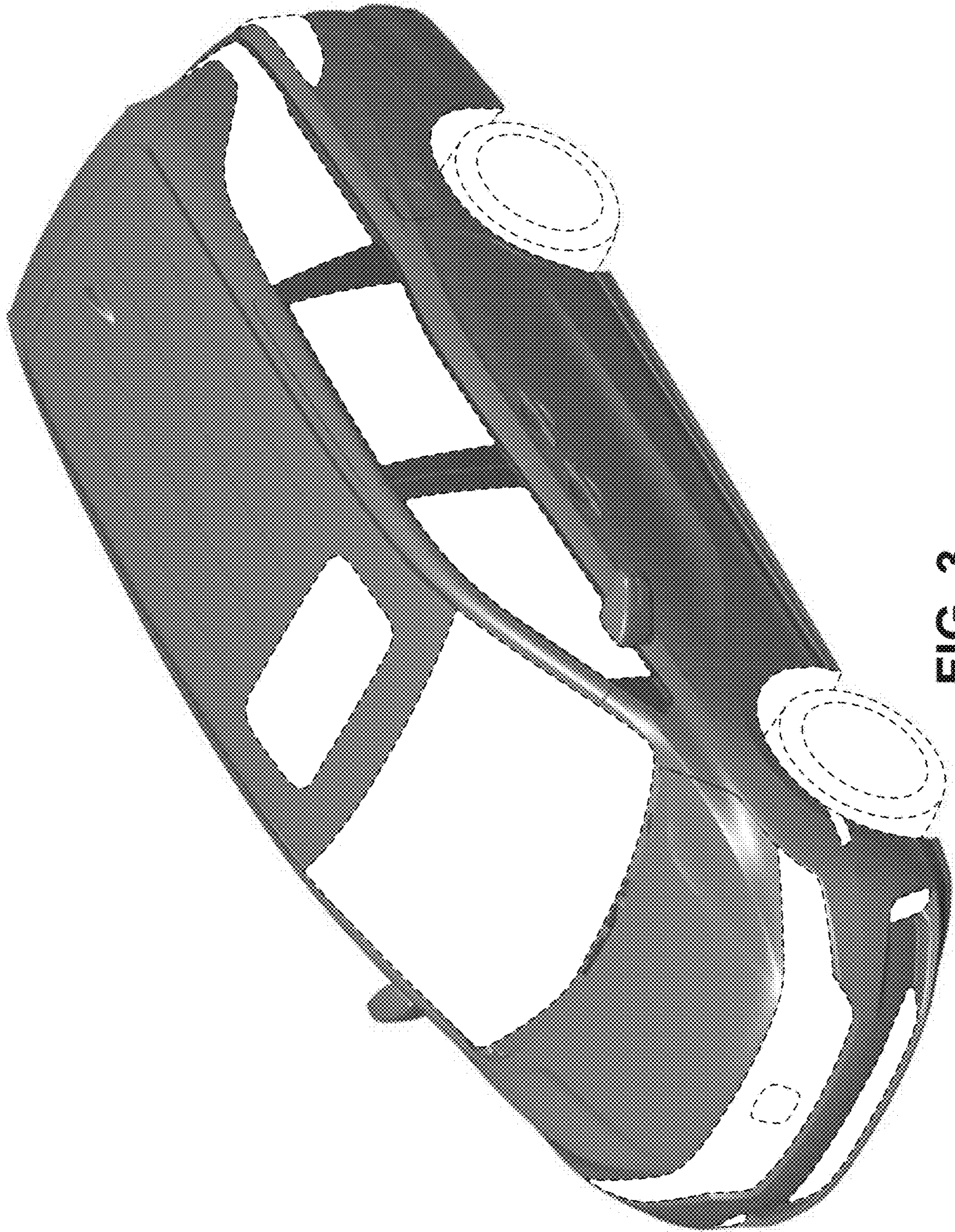


FIG. 3

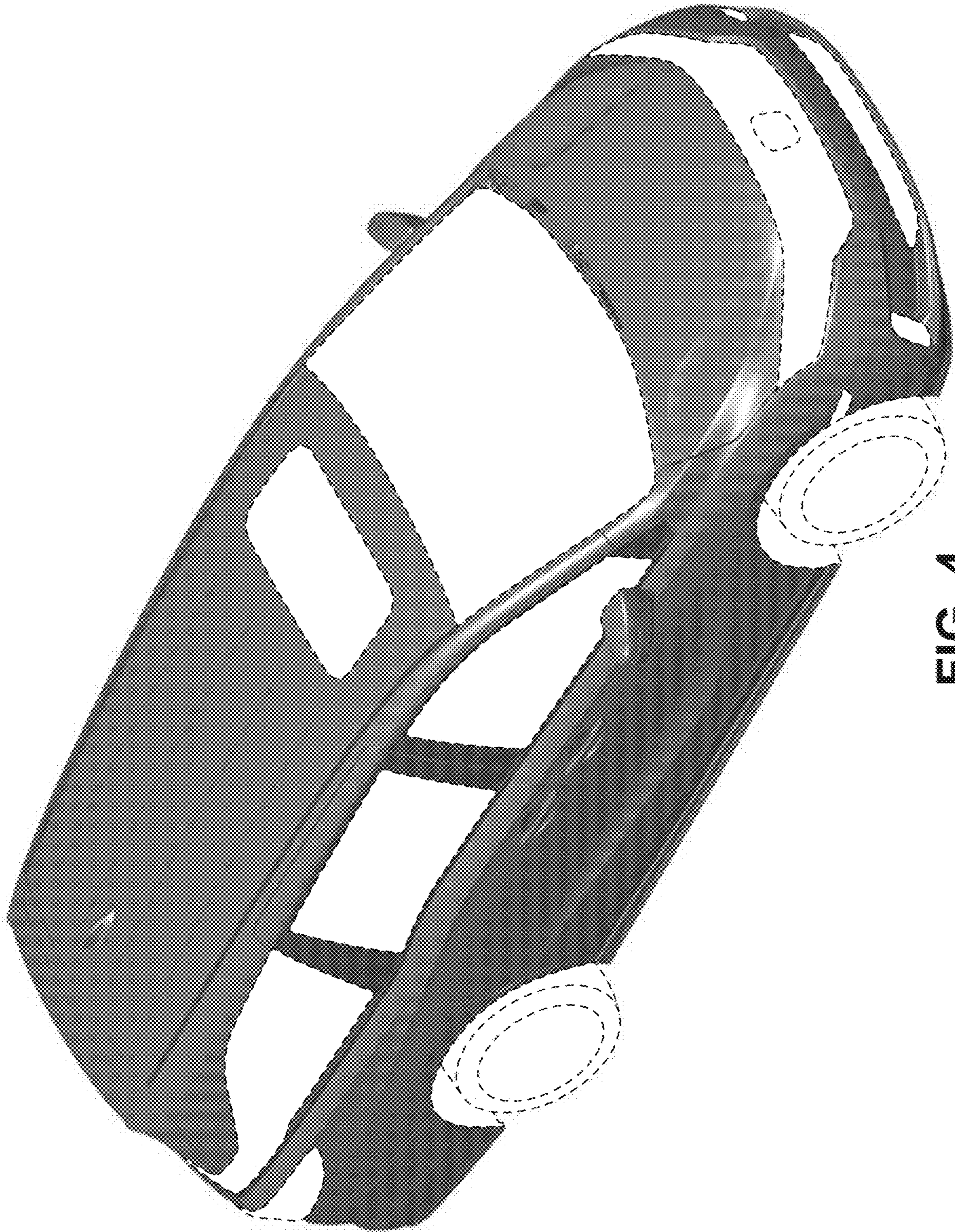


FIG. 4

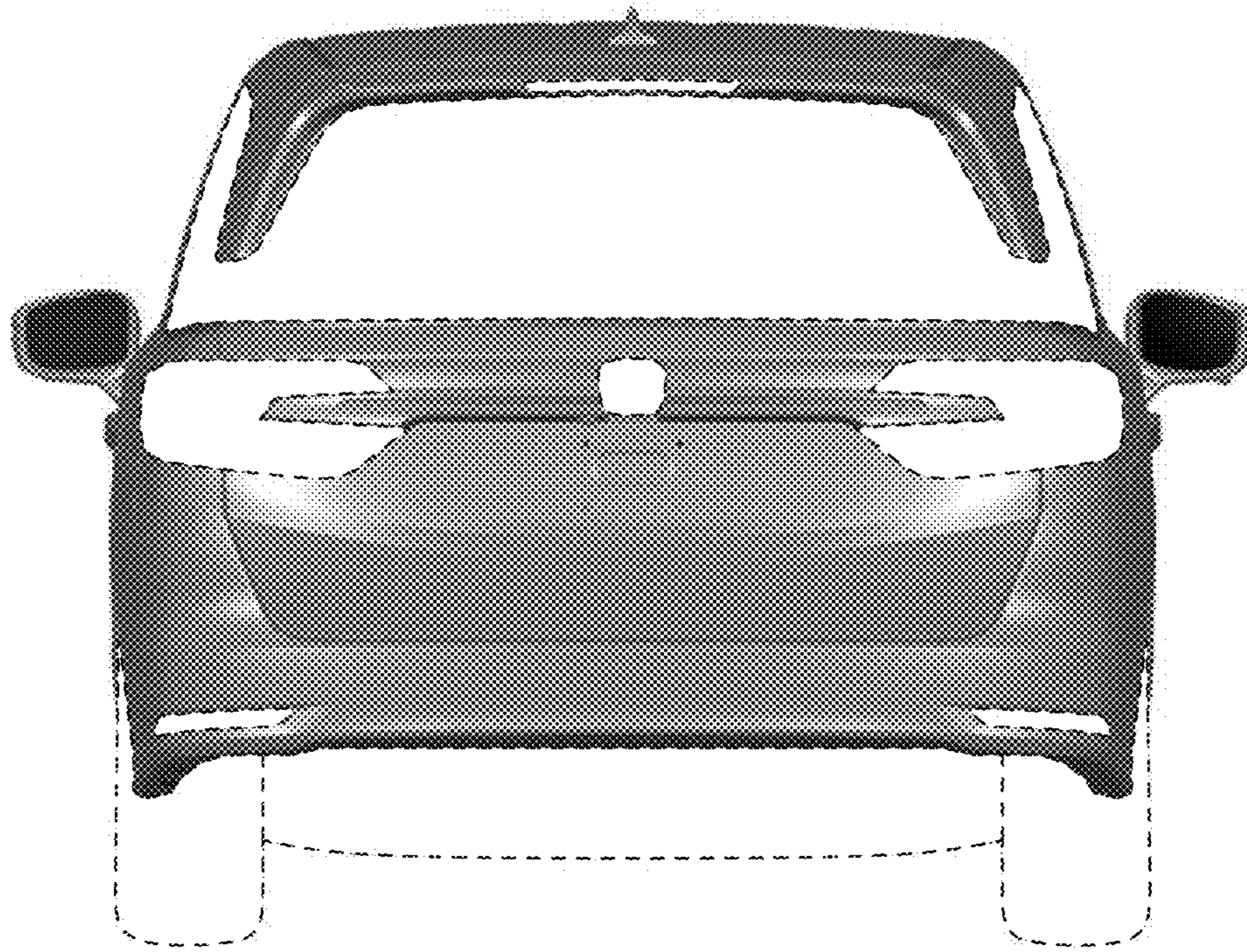


FIG. 5

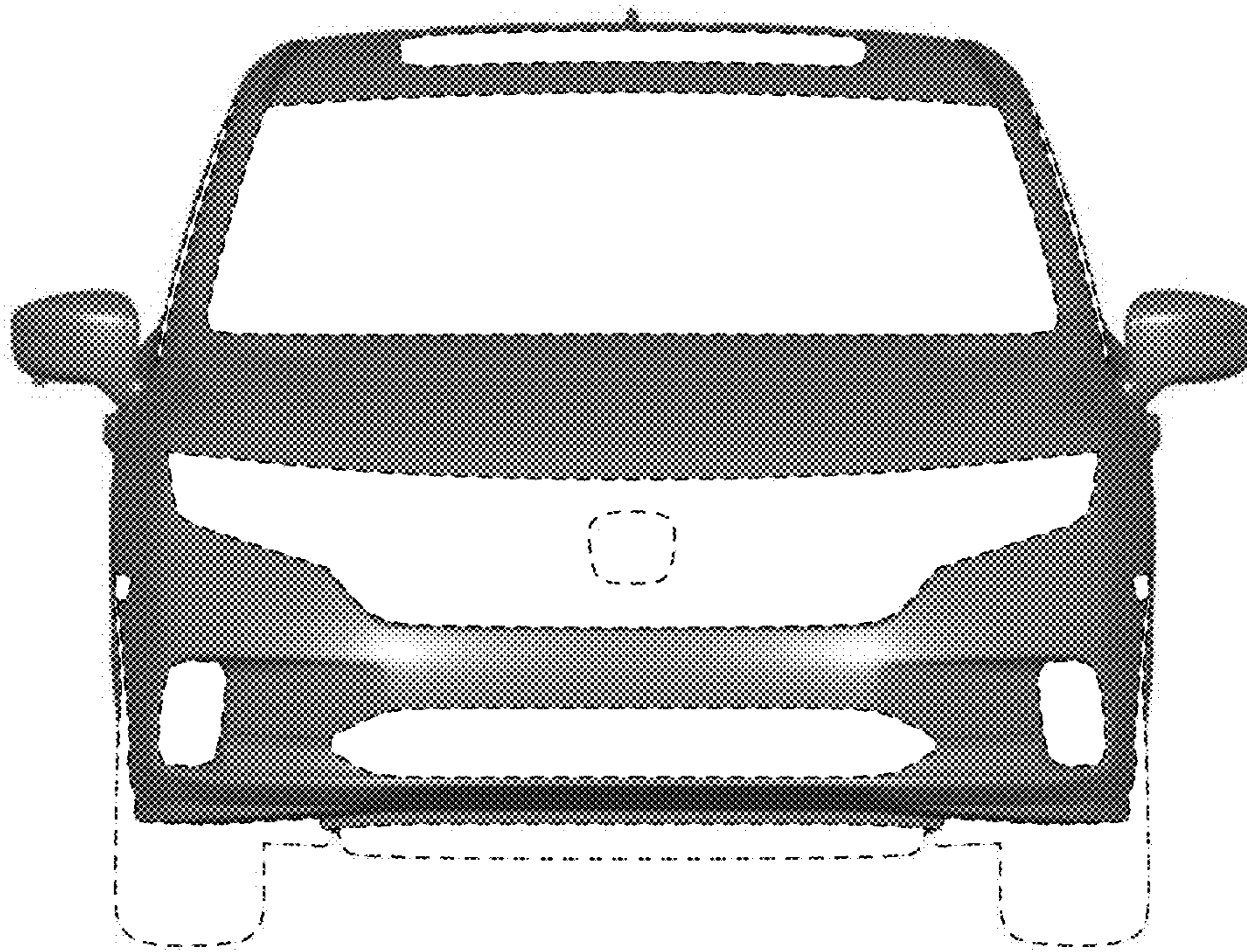


FIG. 6

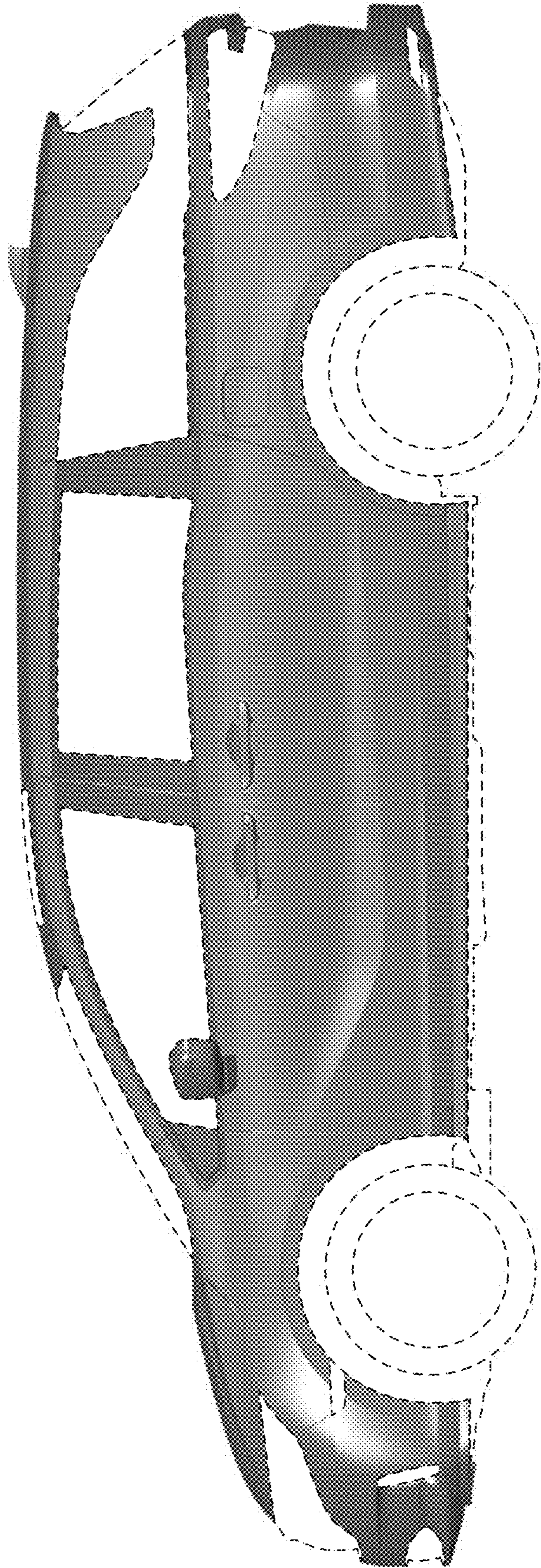


FIG. 7

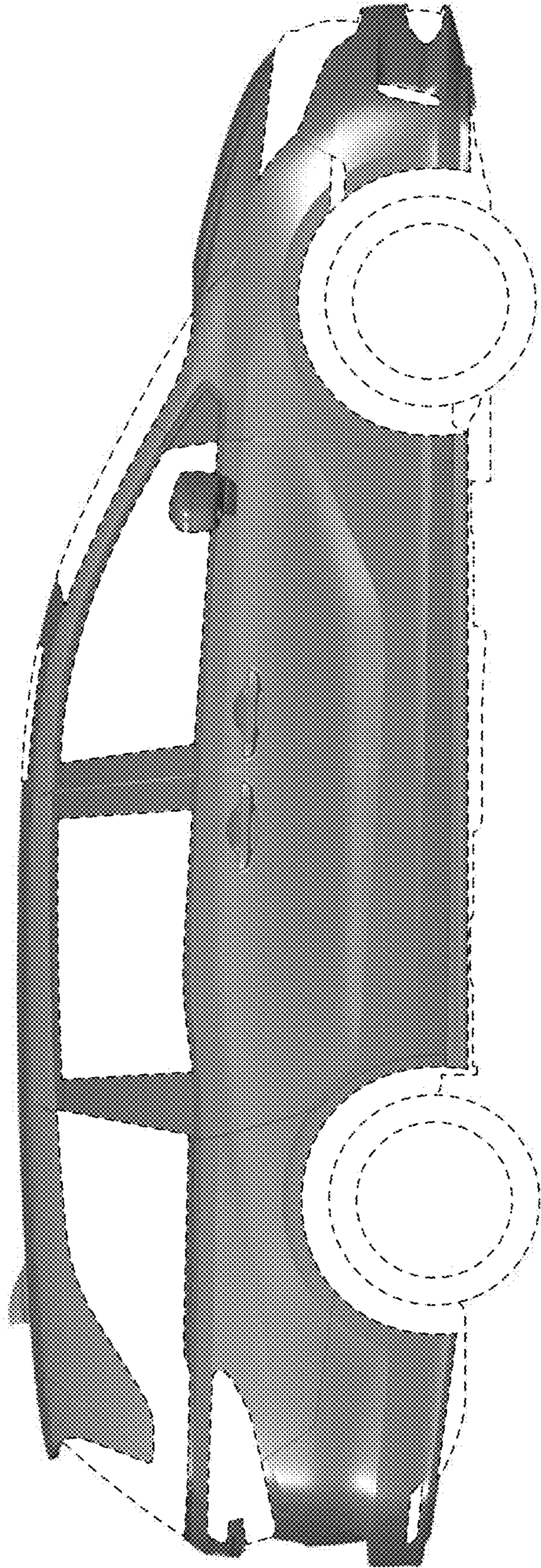


FIG. 8

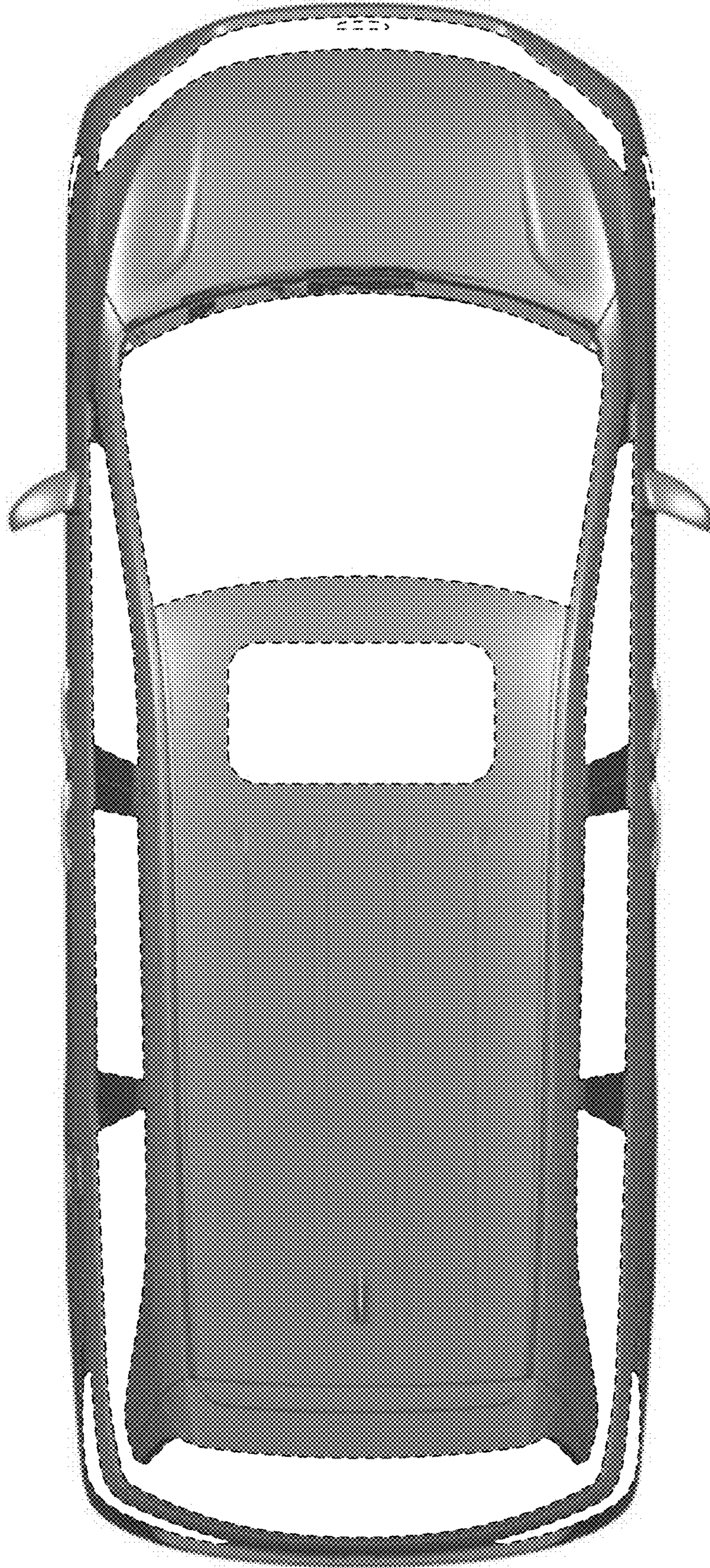


FIG. 9

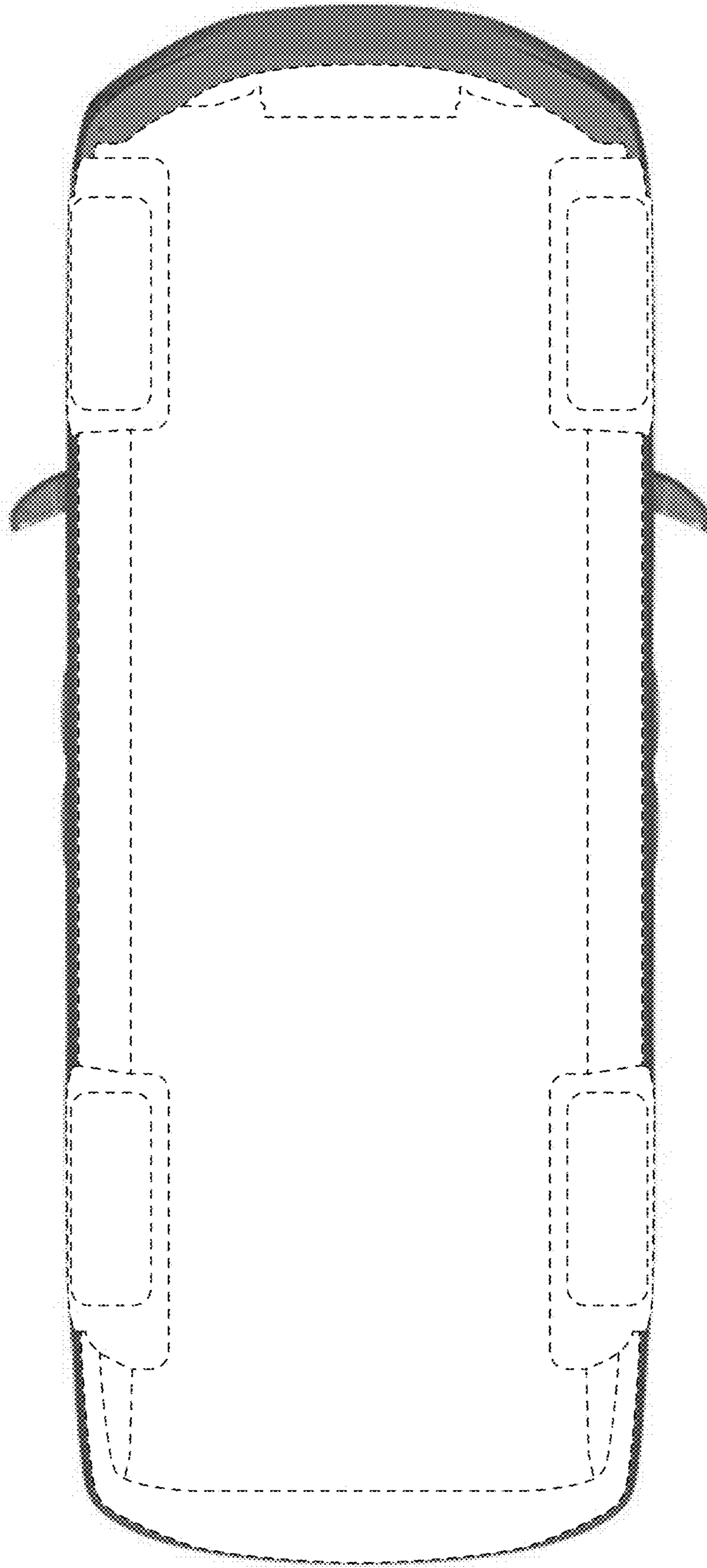


FIG. 10