



US00D920842S

(12) **United States Design Patent**  
**Yao**

(10) **Patent No.:** **US D920,842 S**  
(45) **Date of Patent:** **\*\* Jun. 1, 2021**

- (54) **CAR**
- (71) Applicant: **Human Horizons (Jiangsu) Technology Co., Ltd., Jiangsu (CN)**
- (72) Inventor: **Yucheng Yao, Jiangsu (CN)**
- (73) Assignee: **Human Horizons (Jiangsu) Technology Co., Ltd., Yancheng (CN)**
- (\*\*) Term: **15 Years**
- (21) Appl. No.: **29/652,031**
- (22) Filed: **Dec. 31, 2019**
- (30) **Foreign Application Priority Data**  
Jul. 3, 2019 (CN) ..... 201930350828.3
- (51) **LOC (13) Cl.** ..... **12-08**
- (52) **U.S. Cl.**  
USPC ..... **D12/91**
- (58) **Field of Classification Search**  
USPC .... D12/86, 90-92, 164; D21/424, 433, 434,  
D21/533; 296/181.1-181.5, 183.1  
CPC ..... B62D 25/00; B62D 25/06; B62D 33/00;  
B62D 35/00  
See application file for complete search history.
- (56) **References Cited**  
**U.S. PATENT DOCUMENTS**  
D864,025 S \* 10/2019 Tomasson ..... D12/91  
D872,650 S \* 1/2020 Tomasson ..... D12/91

- D881,755 S \* 4/2020 Tomasson ..... D12/91
- D894,047 S \* 8/2020 Tomasson ..... D12/91
- D912,577 S \* 3/2021 Fontaeus ..... D12/91
- D914,544 S \* 3/2021 Sheffield ..... D12/91

\* cited by examiner

*Primary Examiner* — Melody N Brown

(74) *Attorney, Agent, or Firm* — Oppedahl Patent Law Firm LLC

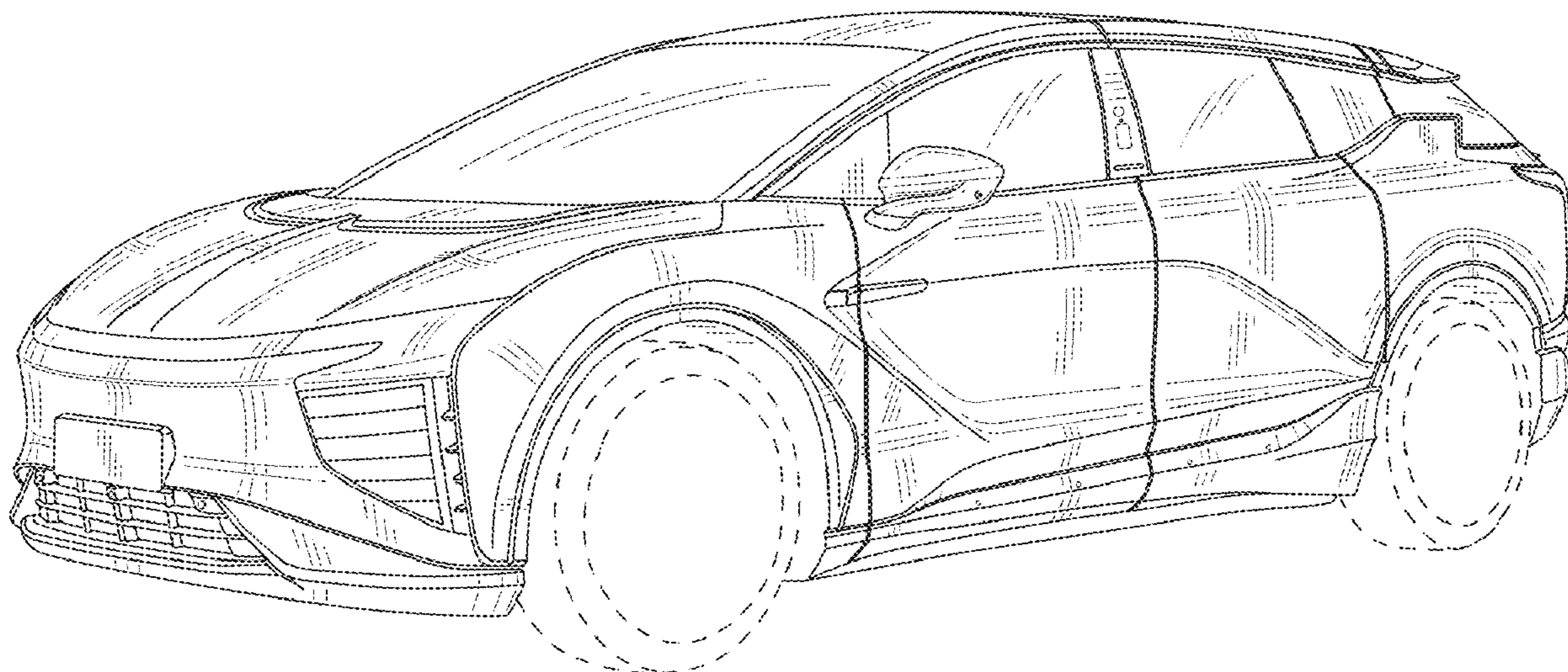
(57) **CLAIM**

The ornamental design for a car, as shown and described.

**DESCRIPTION**

FIG. 1 is a front elevational view of a car showing my new design;  
 FIG. 2 is a rear elevational view thereof;  
 FIG. 3 is a left side elevational view thereof;  
 FIG. 4 is a right side elevational view thereof;  
 FIG. 5 is a top plan view thereof;  
 FIG. 6 is a right, front perspective view thereof; and,  
 FIG. 7 is a rear, right perspective view thereof.  
 The portions of the car shown in broken lines are for environmental and illustrative purposes and form no part of the claimed design.

**1 Claim, 7 Drawing Sheets**



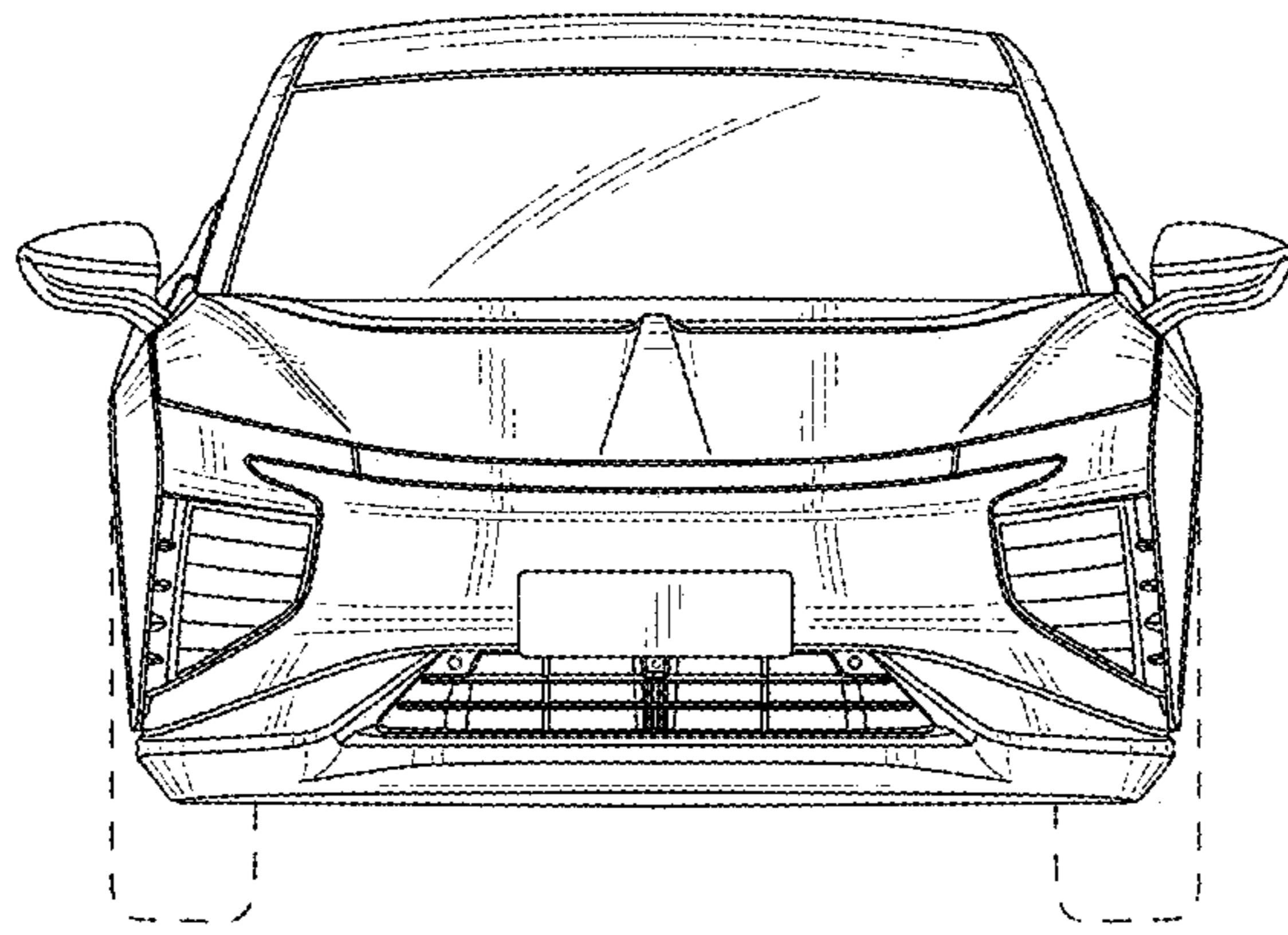


Fig. 1

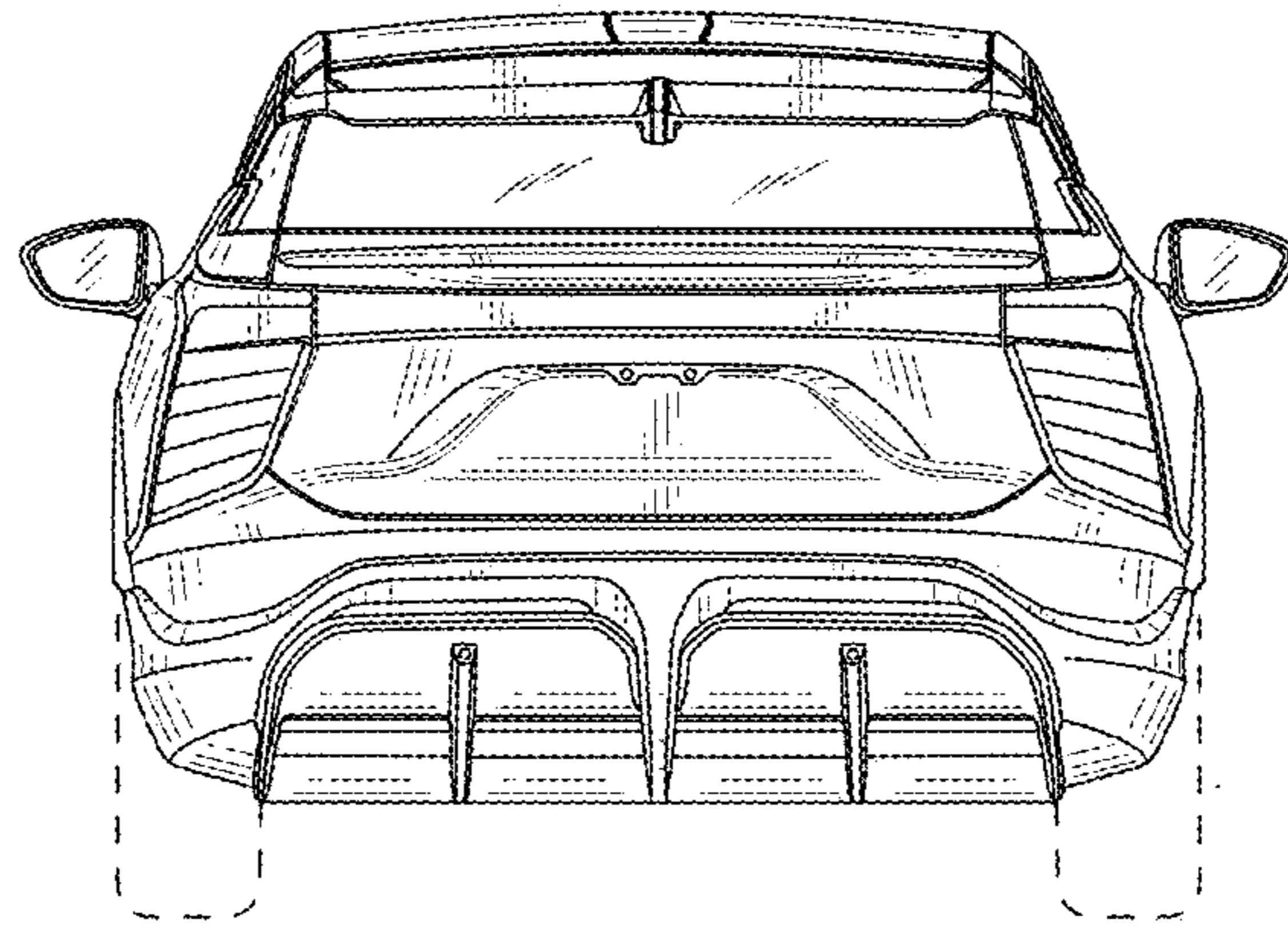


Fig. 2

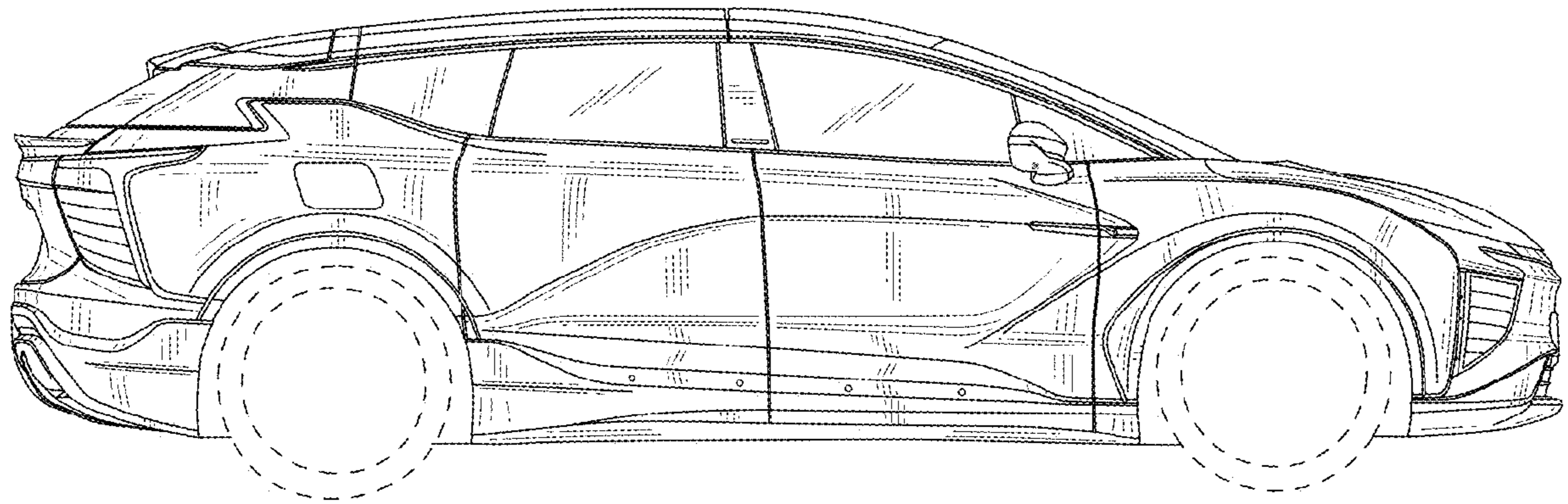


Fig. 3

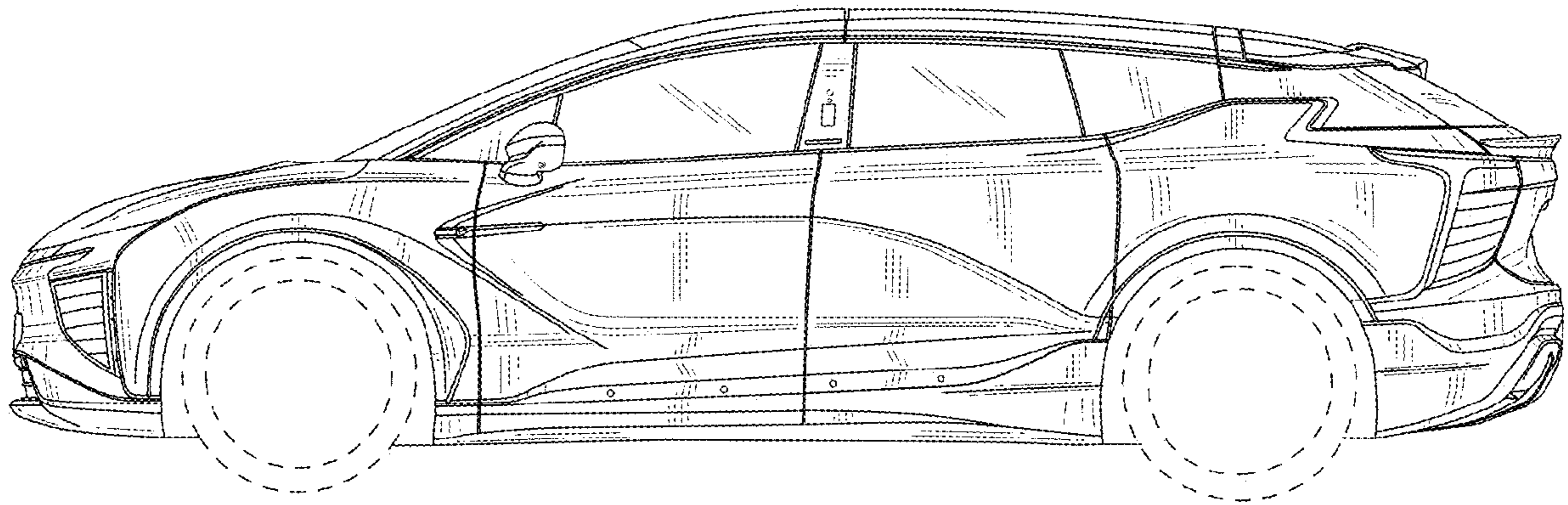


Fig. 4

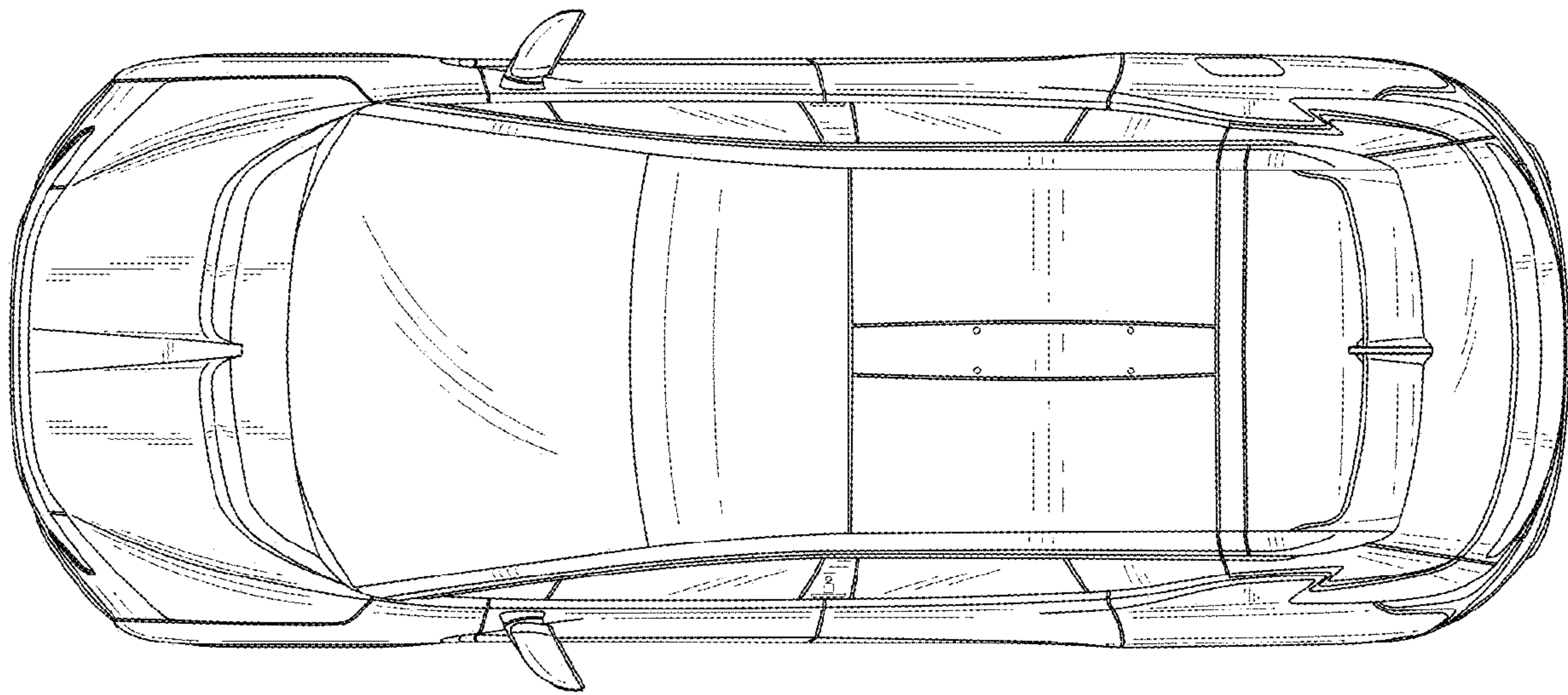


Fig. 5

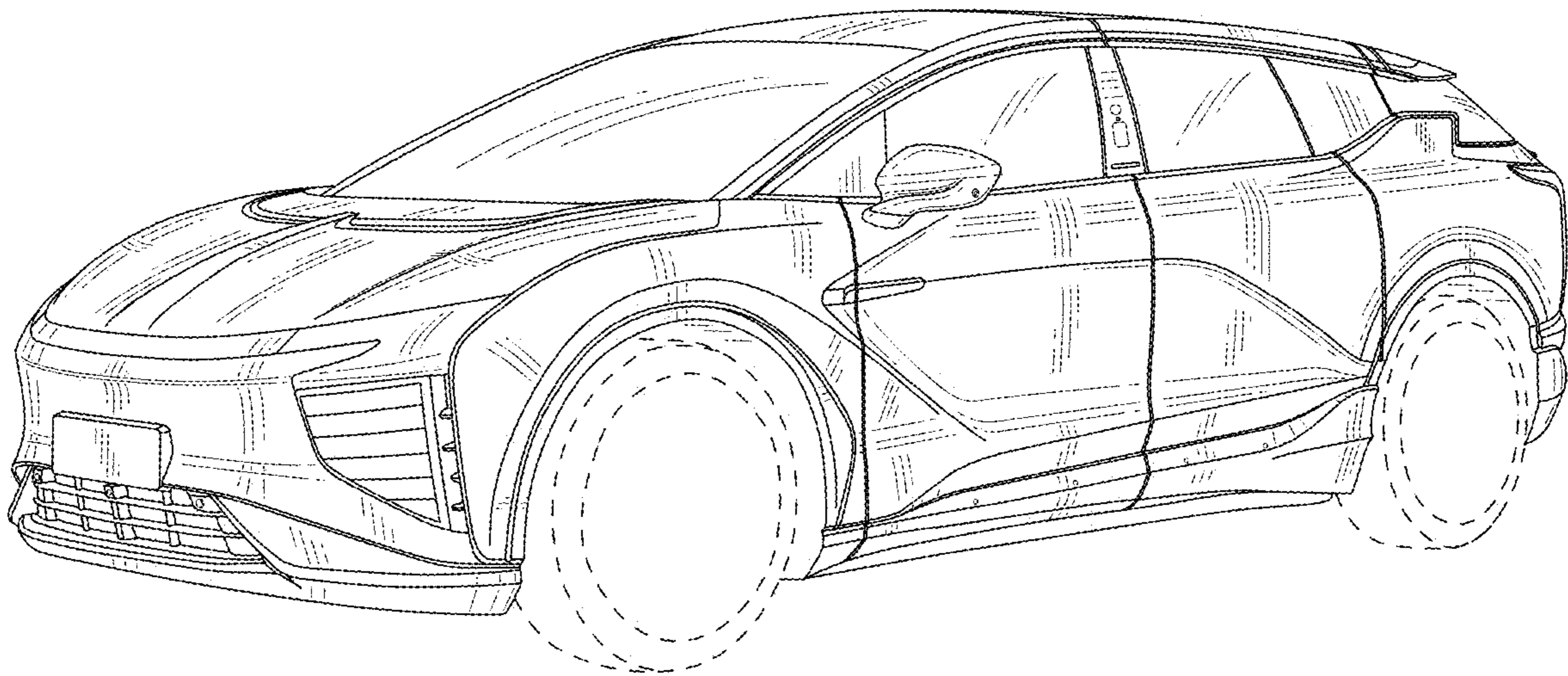


Fig. 6

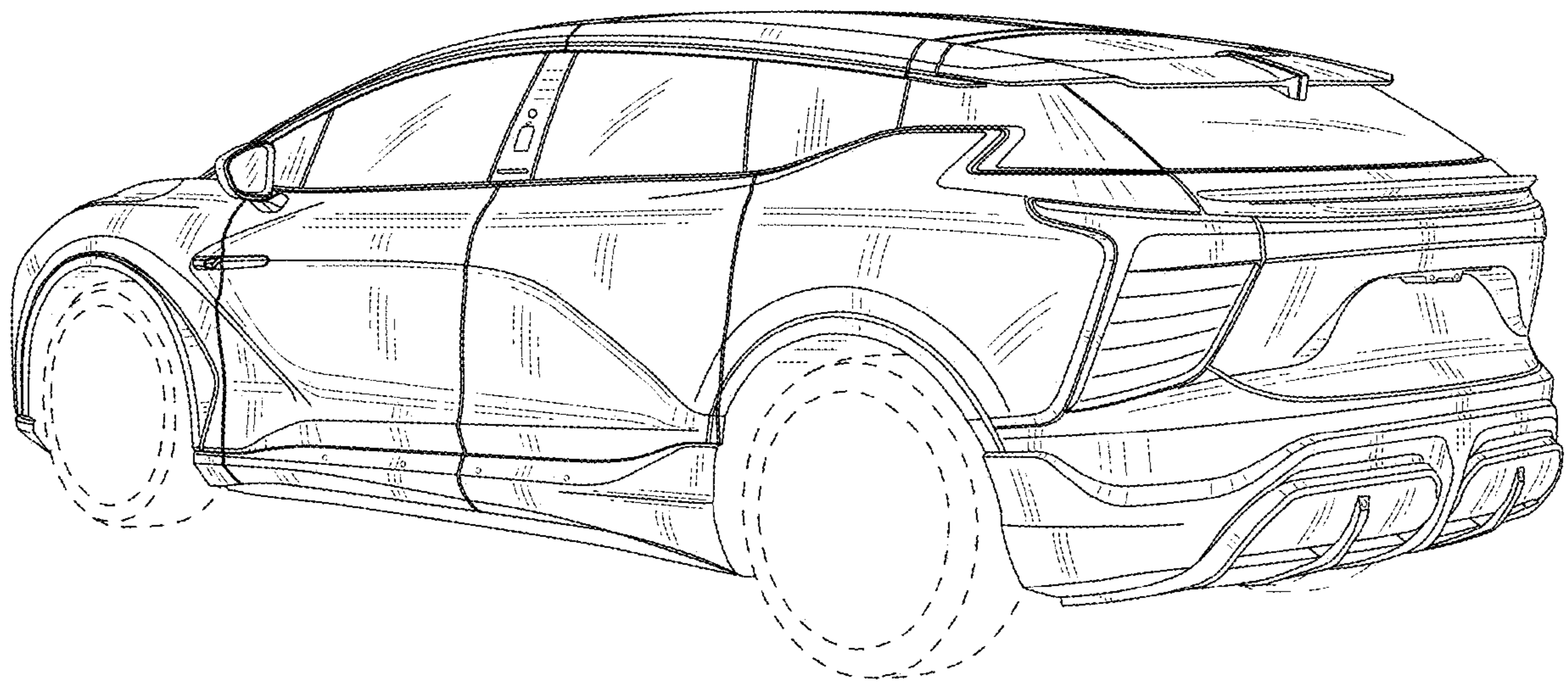


Fig. 7