



US00D920841S

(12) **United States Design Patent** (10) **Patent No.:** **US D920,841 S**
Bonzanigo et al. (45) **Date of Patent:** **** Jun. 1, 2021**

(54) **CAR**
(71) Applicant: **PININFARINA S.p.A.**, Turin (IT)

D790,402 S * 6/2017 Perini D12/88
D801,227 S * 10/2017 Stephenson D12/88
D844,488 S * 4/2019 Melville D12/88
D845,170 S * 4/2019 Melville D12/88

(72) Inventors: **Carlo Alessandro Tullio Maria Bonzanigo**, Moncalieri (IT); **Guglielmo Giovanni Cartia**, Marentino (IT); **Nazzareno Epifani**, Chieri (IT); **Matteo Piguzzi**, Turin (IT)

FOREIGN PATENT DOCUMENTS

TW D144126 A 12/2011
TW D164961 A 12/2014
TW D178325 A 9/2016
TW D196773 A 4/2019

(73) Assignee: **PININFARINA S.P.A.**, Turin (IT)

OTHER PUBLICATIONS

(**) Term: **15 Years**

Decision of Patent Examination By Intellectual Property Office, Ministry of Economic Affairs and Search Report for Taiwan Design Application No. 108303733 dated Jan. 7, 2020.

(21) Appl. No.: **29/700,838**

(22) Filed: **Aug. 6, 2019**

* cited by examiner

(30) **Foreign Application Priority Data**

Primary Examiner — Melody N Brown

May 27, 2019 (EM) 006527594-0001

(74) *Attorney, Agent, or Firm* — Heslin Rothenberg Farley & Mesiti P.C.; Victor A. Cardona, Esq.

(51) **LOC (13) Cl.** **12-08**

(52) **U.S. Cl.**
USPC **D12/88**

(57) **CLAIM**

We claim the ornamental design for a car, as shown and described.

(58) **Field of Classification Search**
USPC D12/86, 88, 90-92, 164; D21/421, 433, D21/434, 533, 535; 296/181.1, 181.5
CPC B62D 35/00; B62D 25/00; B62D 25/06; B62D 33/00
See application file for complete search history.

DESCRIPTION

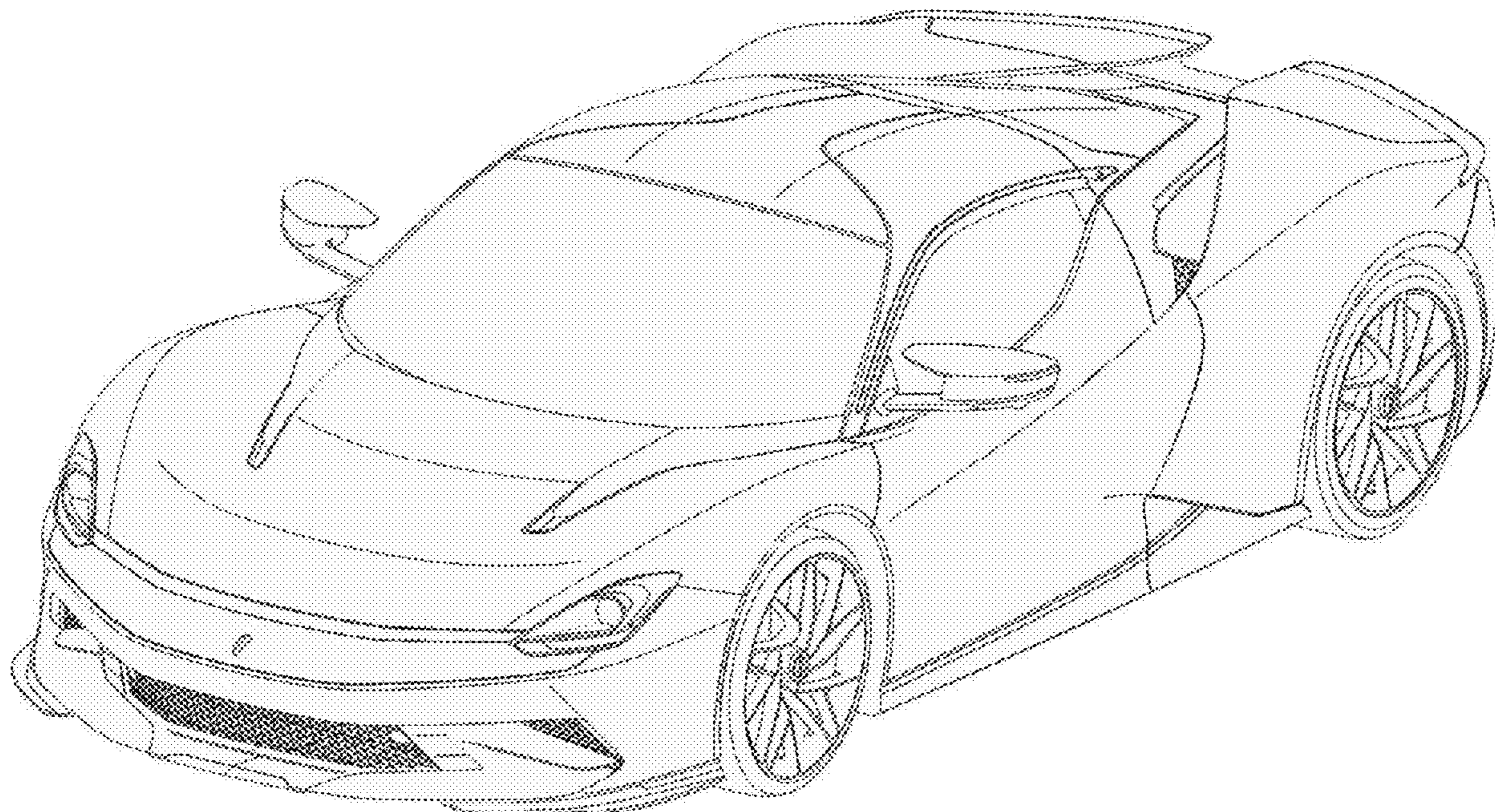
FIG. 1 is a front perspective view of a car showing our new design;
FIG. 2 is a rear perspective view thereof;
FIG. 3 is a top plan view thereof;
FIG. 4 is a front elevational view thereof;
FIG. 5 is a rear elevational view thereof;
FIG. 6 is a right side elevational view thereof; and,
FIG. 7 is a left side elevational view thereof.

(56) **References Cited**

U.S. PATENT DOCUMENTS

D715,690 S * 10/2014 Perini D12/88
D772,106 S * 11/2016 Hitzinger D12/88
D790,398 S * 6/2017 Perini D12/88

1 Claim, 7 Drawing Sheets



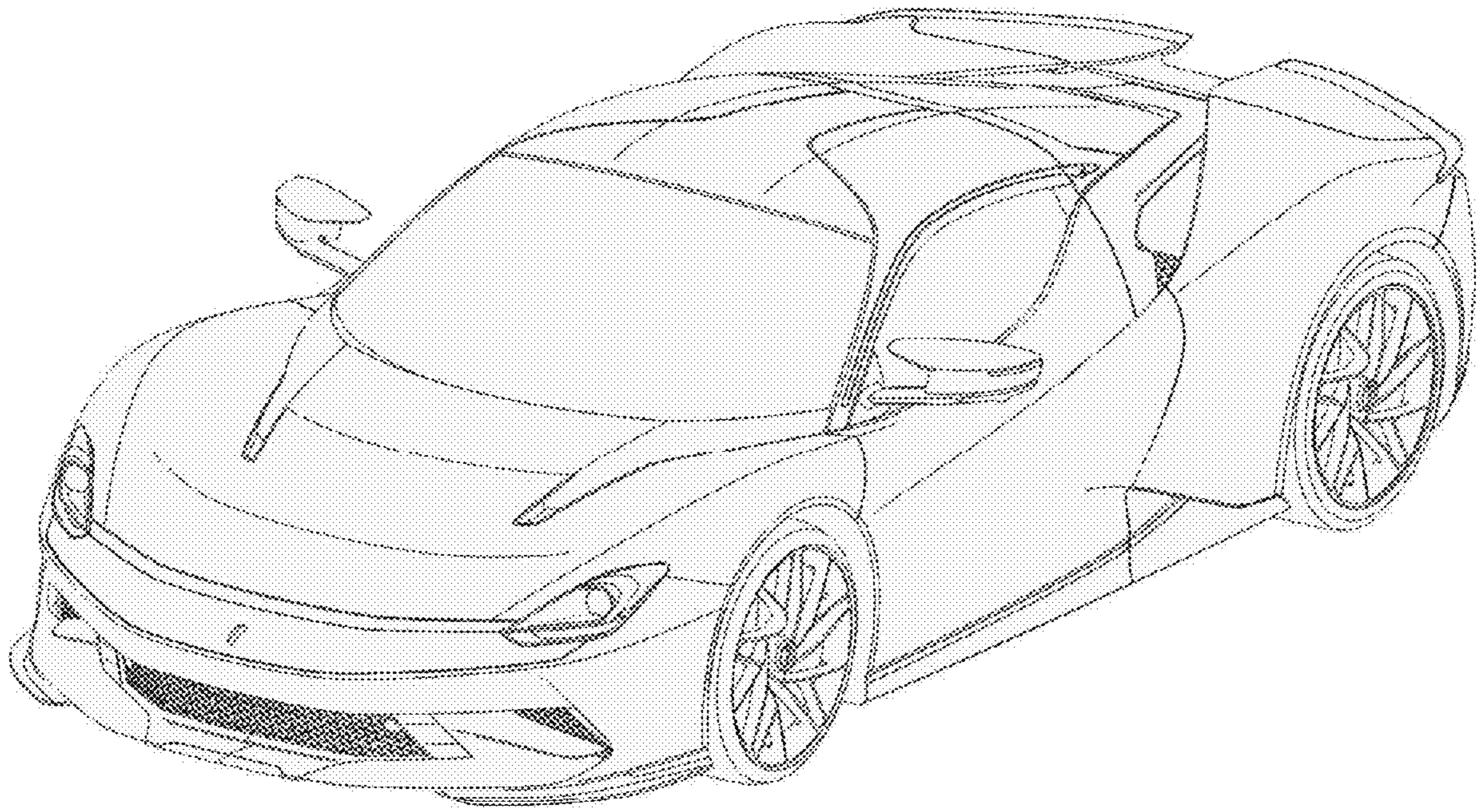


FIG. 1

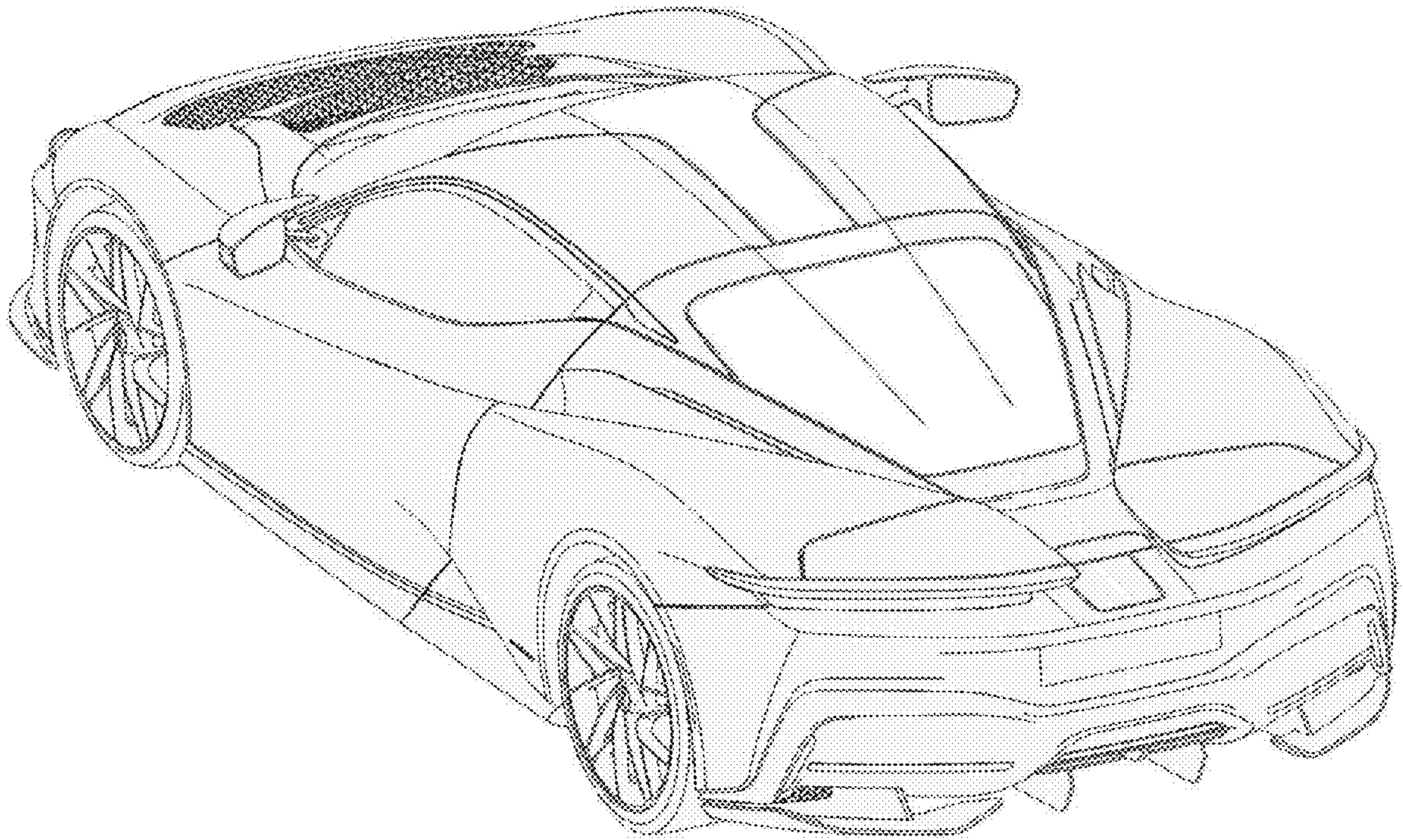


FIG. 2

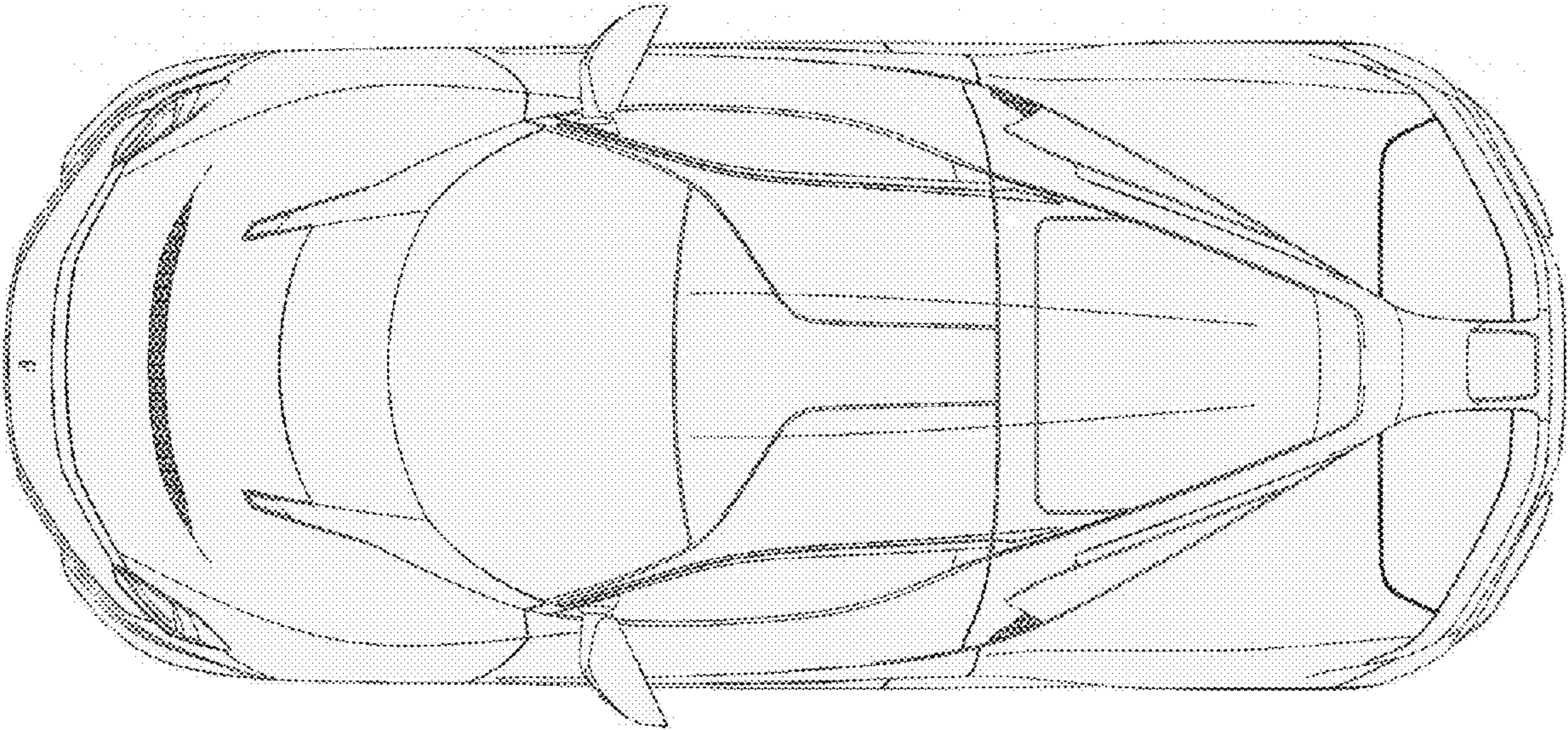


FIG. 3

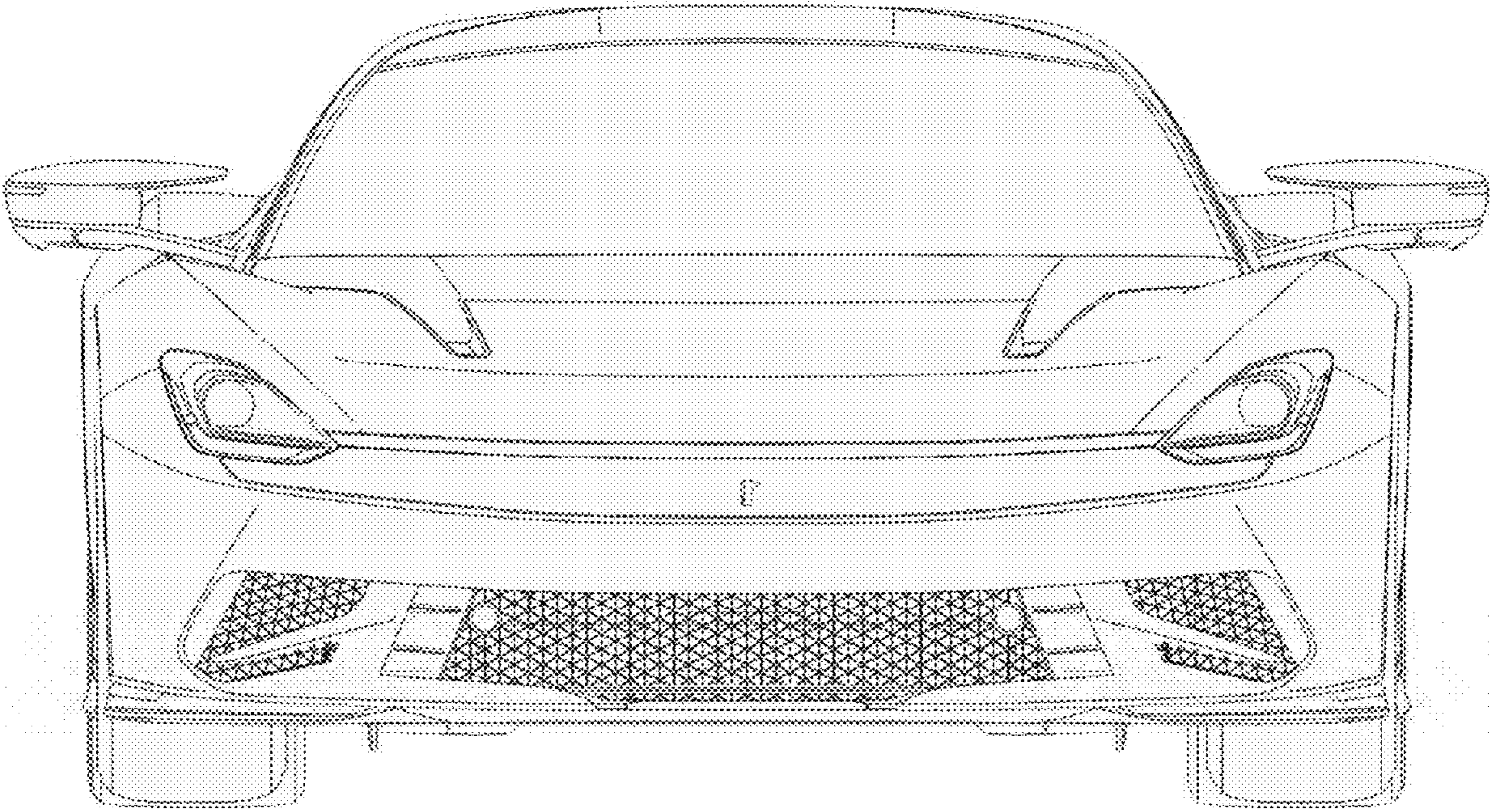


FIG. 4

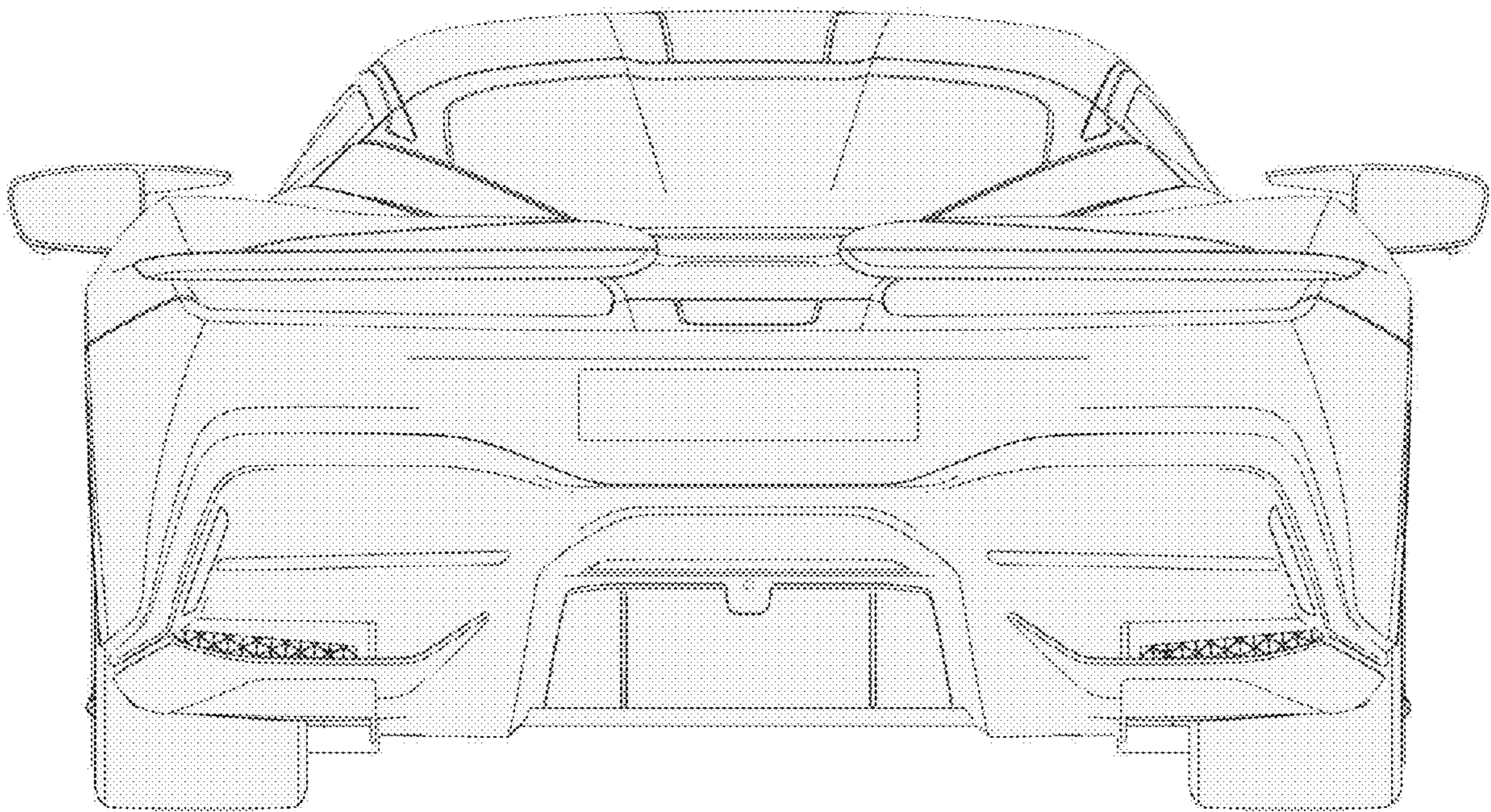


FIG. 5

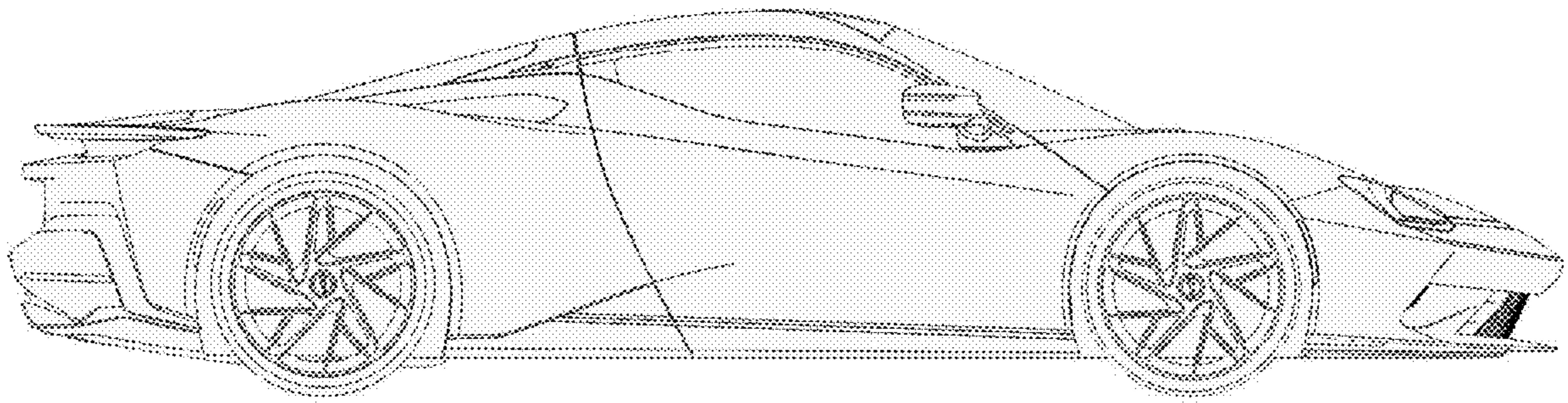


FIG. 6

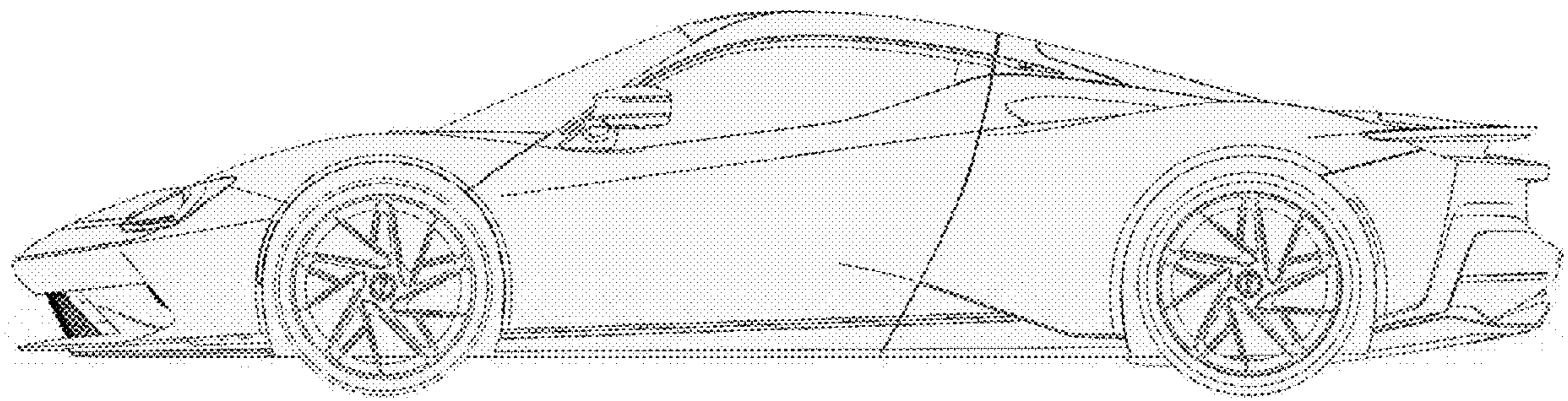


FIG. 7