



US00D920839S

(12) **United States Design Patent** (10) **Patent No.:** **US D920,839 S**
Zhang (45) **Date of Patent:** **** Jun. 1, 2021**

(54) **GLOVE CLIP**

D665,655 S * 8/2012 Ishii D8/367
D892,600 S * 8/2020 Schmitz D8/367
2006/0179784 A1* 8/2006 Chen F16B 21/00
52/698

(71) Applicant: **Zhuanyun Zhang**, Liaoning (CN)

(72) Inventor: **Zhuanyun Zhang**, Liaoning (CN)

(**) Term: **15 Years**

FOREIGN PATENT DOCUMENTS

CN RGN 303925142 * 11/2016

(21) Appl. No.: **29/750,472**

OTHER PUBLICATIONS

(22) Filed: **Sep. 14, 2020**

Glove Grabber Clip Holder (available online May 17, 2019) Retrieved from the internet Dec. 14, 2020 from URL: https://www.amazon.com/Grabber-Holder-Glasses-Helmets-Catcher/dp/B07S19QDZ3/ref=sr_1_1_sspa?dchild=1&keywords=glove+clips&qid=1607977856&sr=8-1-spons&psc=1&spLa=ZW5jenlwdGV.*

(30) **Foreign Application Priority Data**

Jul. 30, 2020 (CN) 202030423042.2

(51) **LOC (13) Cl.** **02-07**

(52) **U.S. Cl.**
USPC **D11/215**

(58) **Field of Classification Search**
USPC D3/215, 224; D11/200, 206, 208, 215;
D28/40, 42, 43; D8/356, 367, 394-396,
D8/499
CPC A41D 19/0041; A41D 19/0034; A41D
19/0037; A41D 19/0093; A41D 19/01552;
A41D 19/01594; F16B 45/02
See application file for complete search history.

* cited by examiner

Primary Examiner — Kevin K Rudzinski
Assistant Examiner — Richard Kearney
(74) *Attorney, Agent, or Firm* — Zhihua Han; Wen IP
LLC

(57) **CLAIM**

The ornamental design for a glove clip, as shown and described.

DESCRIPTION

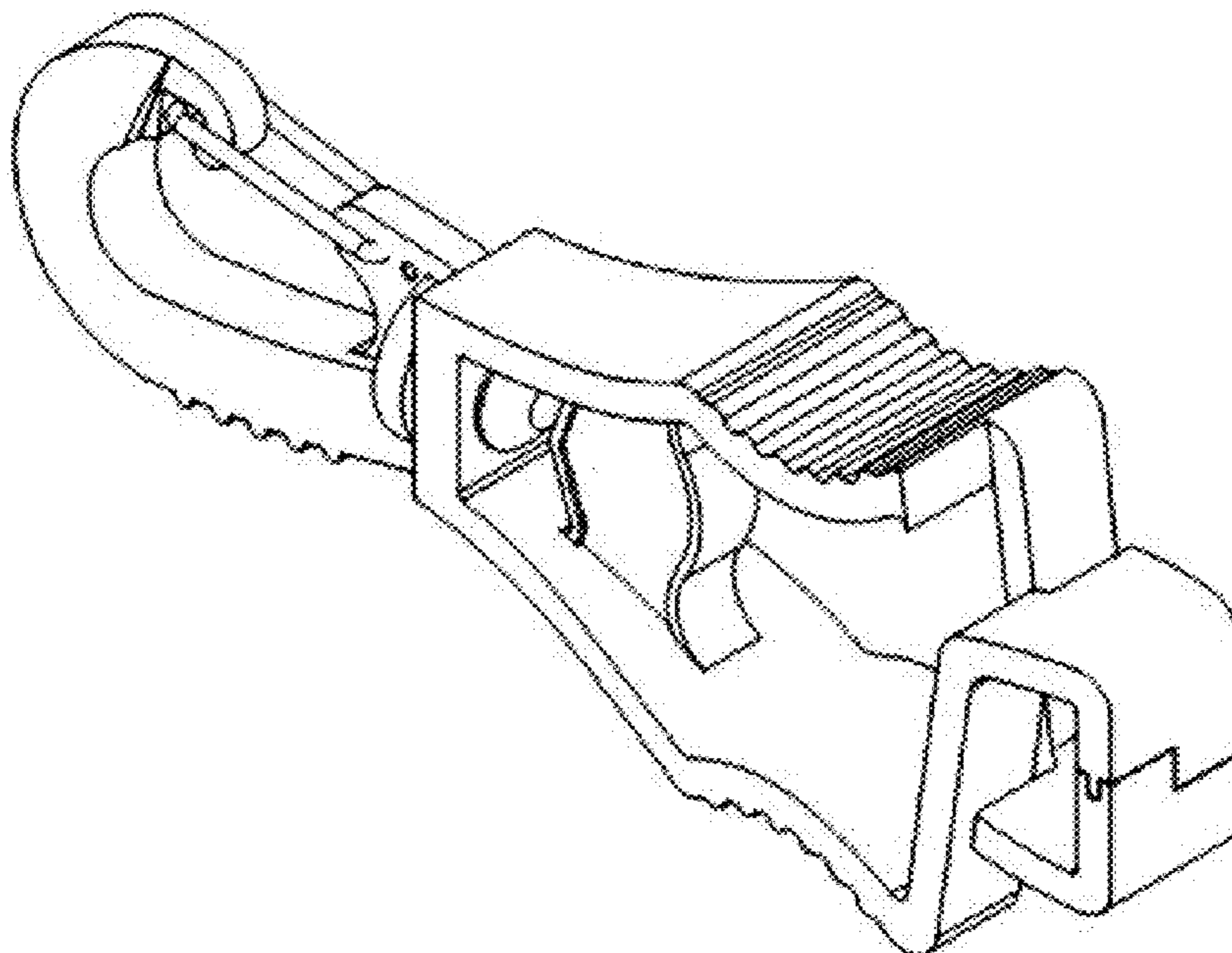
(56) **References Cited**

U.S. PATENT DOCUMENTS

D28,694 S * 5/1898 Wood D8/382
D55,524 S * 6/1920 Mueller D8/395
D249,927 S * 10/1978 Takahashi 47/6
D413,789 S * 9/1999 Striebel D8/367
D434,971 S * 12/2000 Cheng D8/367
D478,723 S * 8/2003 Blanton D3/215
D515,412 S * 2/2006 Waaler D8/395
D523,330 S * 6/2006 Mattesky
D537,328 S * 2/2007 Votel D8/395

FIG. 1 is a prospective view of a glove clip, showing my new design;
FIG. 2 is another prospective view thereof, but shown in an alternative configuration for clarity of illustration;
FIG. 3 is a front elevation view thereof;
FIG. 4 is a rear elevation view thereof;
FIG. 5 is a left side elevation view thereof;
FIG. 6 is a right side elevation view thereof;
FIG. 7 is a top plan view thereof; and,
FIG. 8 is a bottom plan view thereof.

1 Claim, 8 Drawing Sheets



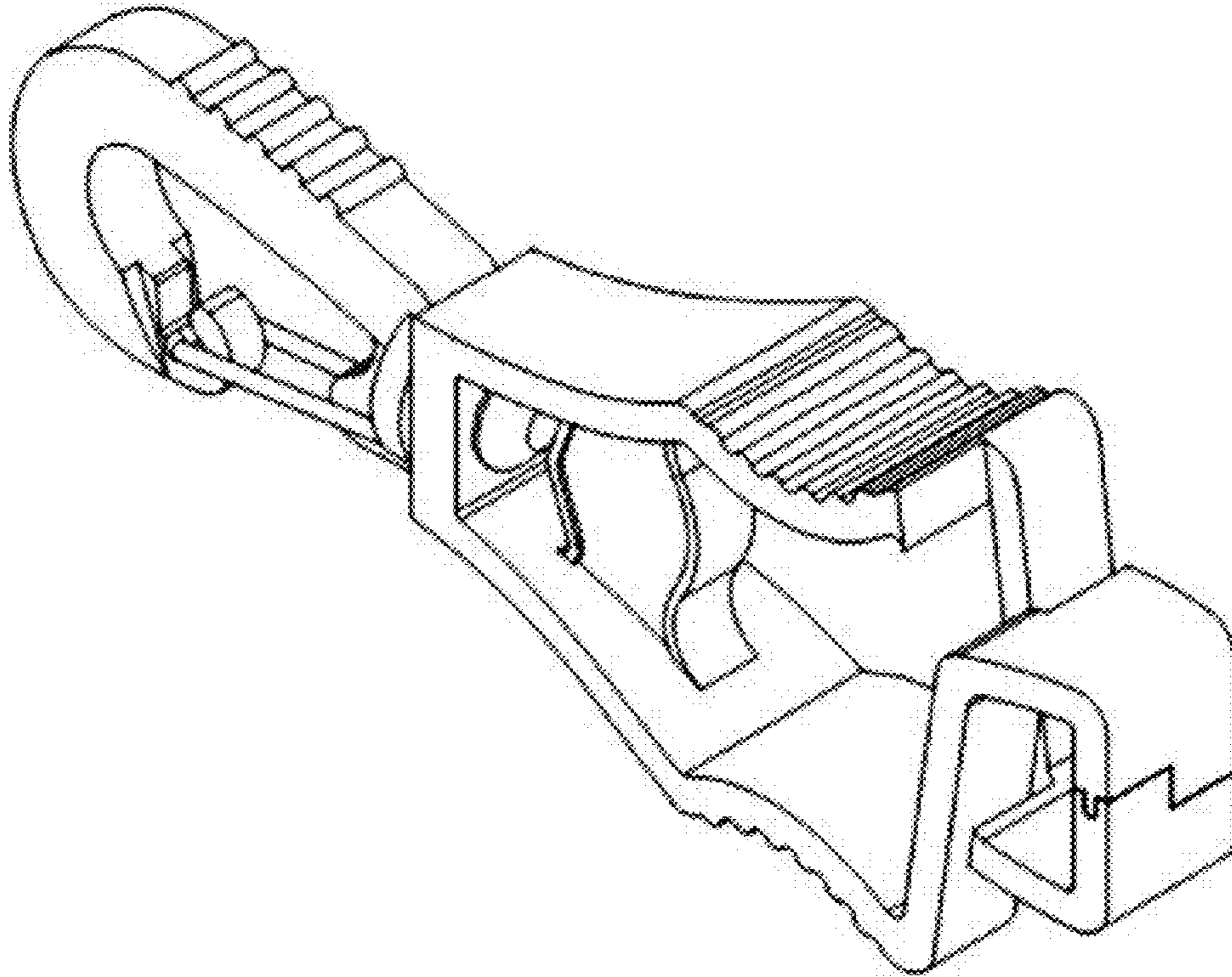


FIG. 1

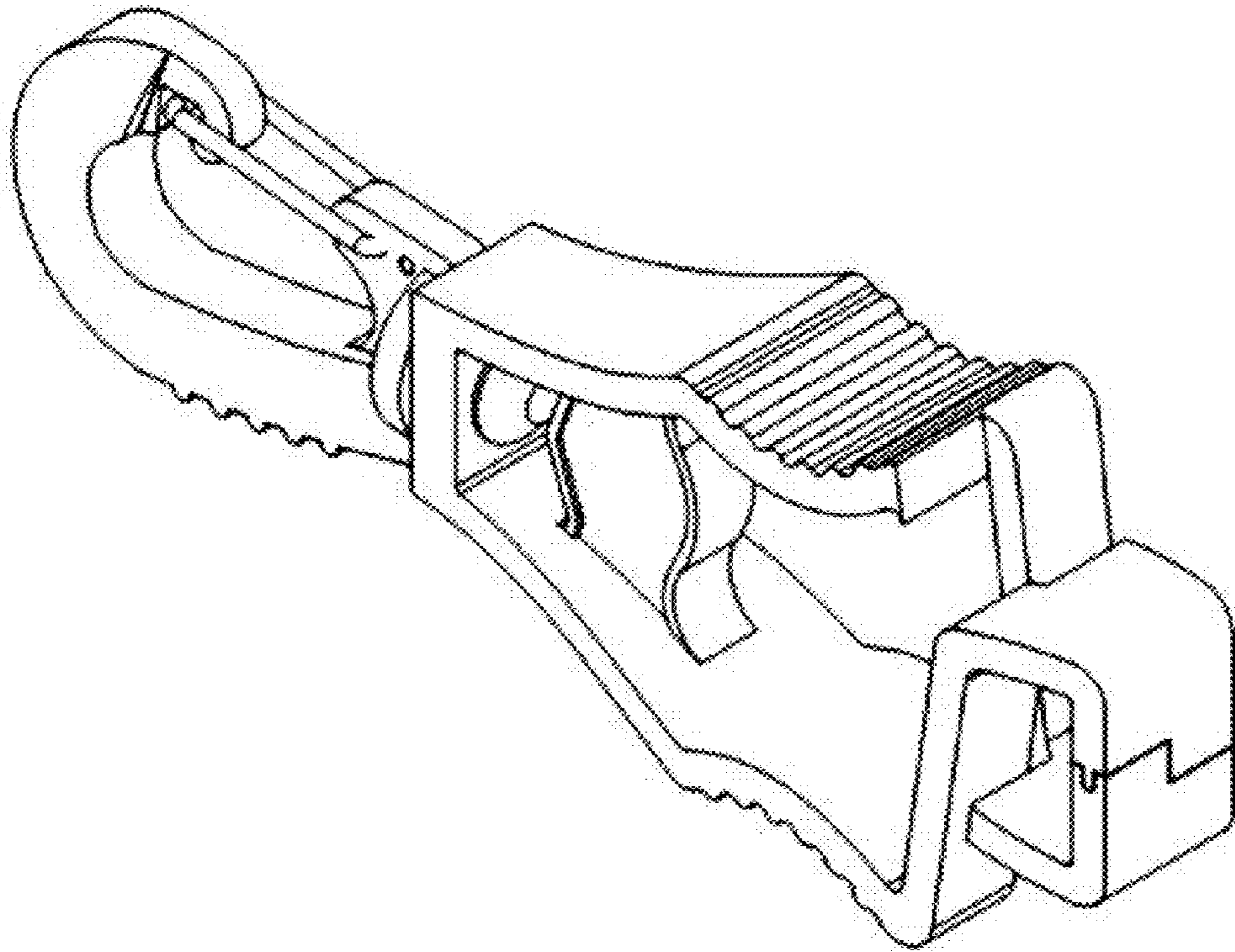


FIG. 2

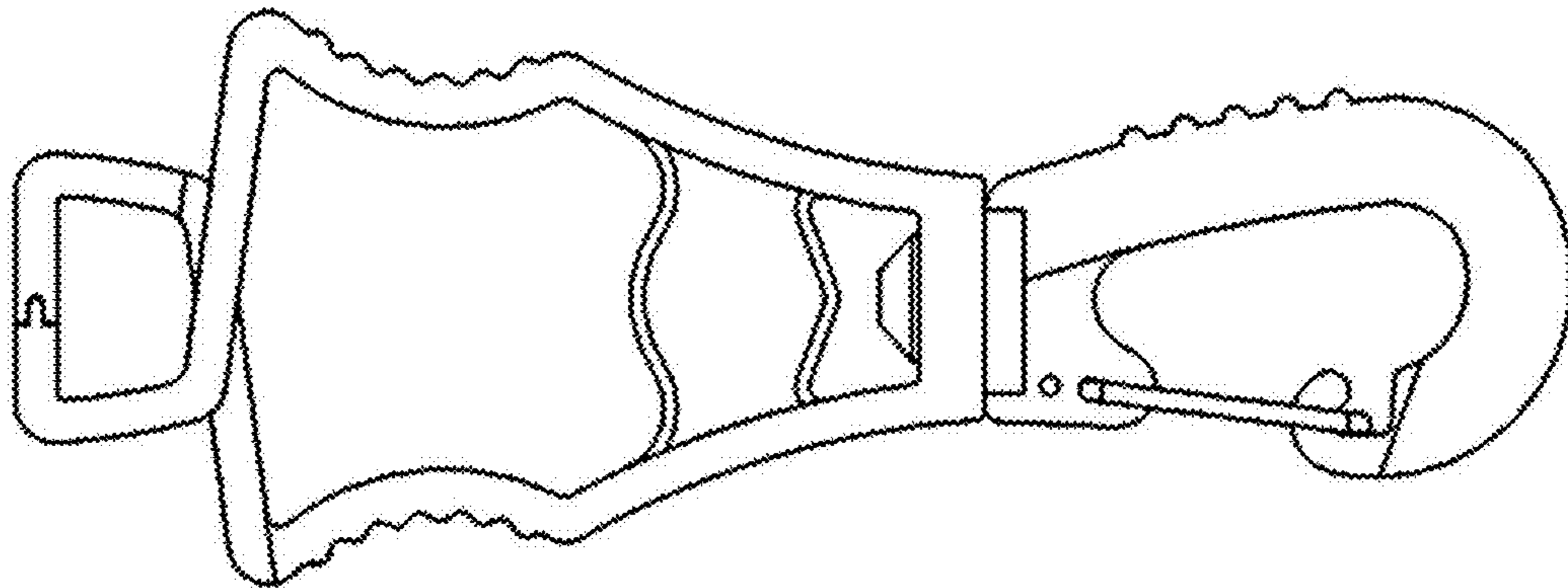


FIG. 3

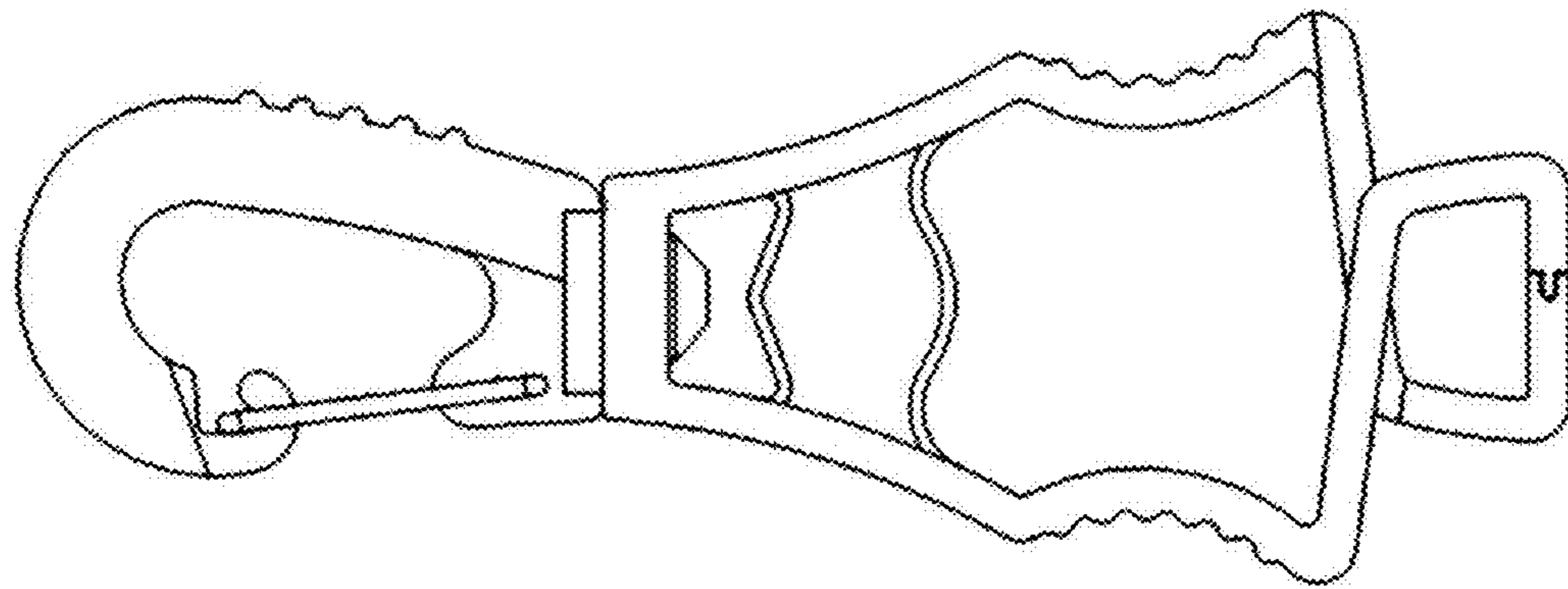


FIG. 4

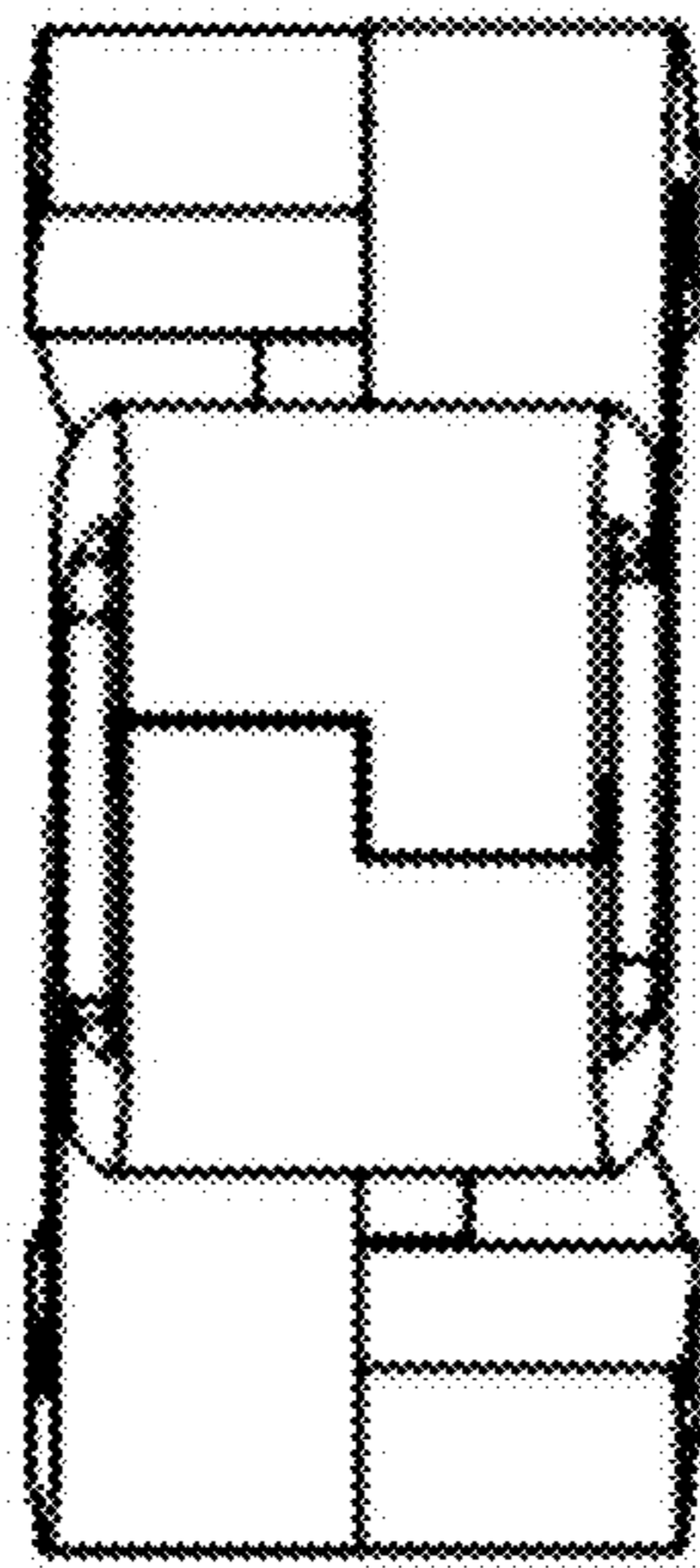


FIG. 5

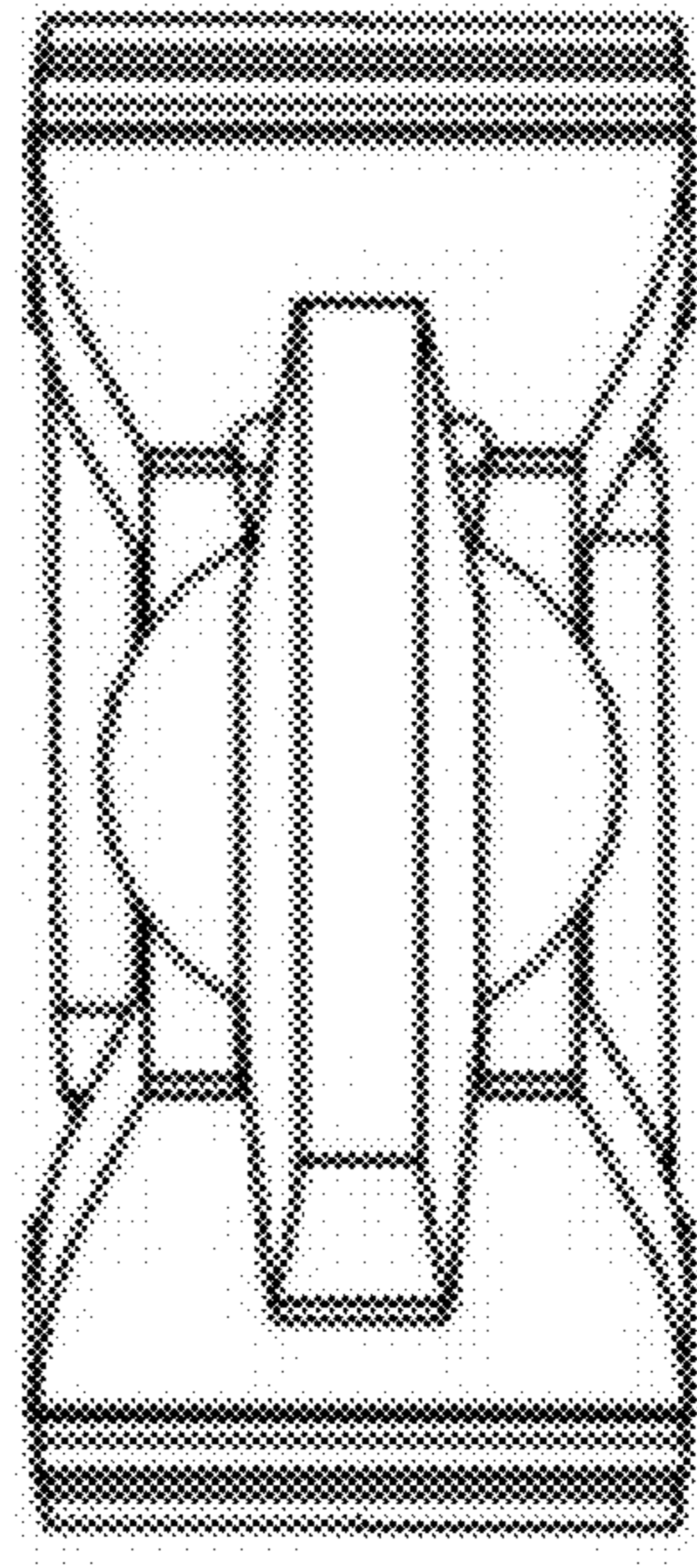


FIG. 6



FIG. 7

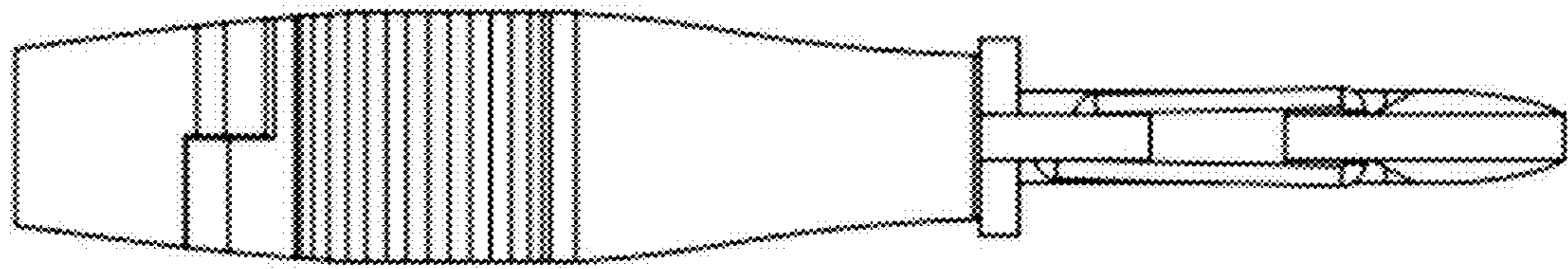


FIG. 8