



US00D920838S

(12) **United States Design Patent**
Tsai

(10) **Patent No.:** **US D920,838 S**
(45) **Date of Patent:** **** Jun. 1, 2021**

(54) **BUCKLE BELT ASSEMBLY**
(71) Applicant: **Hai Pin Tsai**, Hong Kong (CN)
(72) Inventor: **Hai Pin Tsai**, Hong Kong (CN)
(**) Term: **15 Years**

D717,537 S * 11/2014 Tsai D3/215
D785,945 S * 5/2017 Trammell D3/318
D876,080 S * 2/2020 Roy D3/201
D899,766 S * 10/2020 Tsai D11/200
D912,573 S * 3/2021 Tsai D11/200
2020/0054118 A1* 2/2020 Tsai A45F 5/021

(21) Appl. No.: **29/710,216**
(22) Filed: **Oct. 22, 2019**

OTHER PUBLICATIONS

Amazon Retractable Badge Reel, Jan. 31, 2018, [online], [site visited Aug. 20, 2020], Retrieved from url:https://www.amazon.com/Retractable-Carabiner-Keychain-Holder-NATUREBELLE/dp/B077F9X3P6/ (Year: 2018).*

(30) **Foreign Application Priority Data**

Aug. 20, 2019 (CN) 201930452742.1

* cited by examiner

(51) **LOC (13) Cl.** **02-07**

Primary Examiner — Michelle E. Wilson

(52) **U.S. Cl.**

Assistant Examiner — Tracey J Bell

USPC **D11/200**

(58) **Field of Classification Search**

USPC D8/349; D11/208–210, 214, 220, 200,
D11/201, 221; D3/207, 208, 209, 210,
D3/211, 215, 249

(57) **CLAIM**

CPC ... A45C 11/323; A45C 11/326; A45C 13/023;
A44B 15/005; A44B 15/00; A45F 5/004;
A45F 5/02; A45F 5/021

The ornamental design for a buckle belt assembly, as shown and described.

See application file for complete search history.

DESCRIPTION

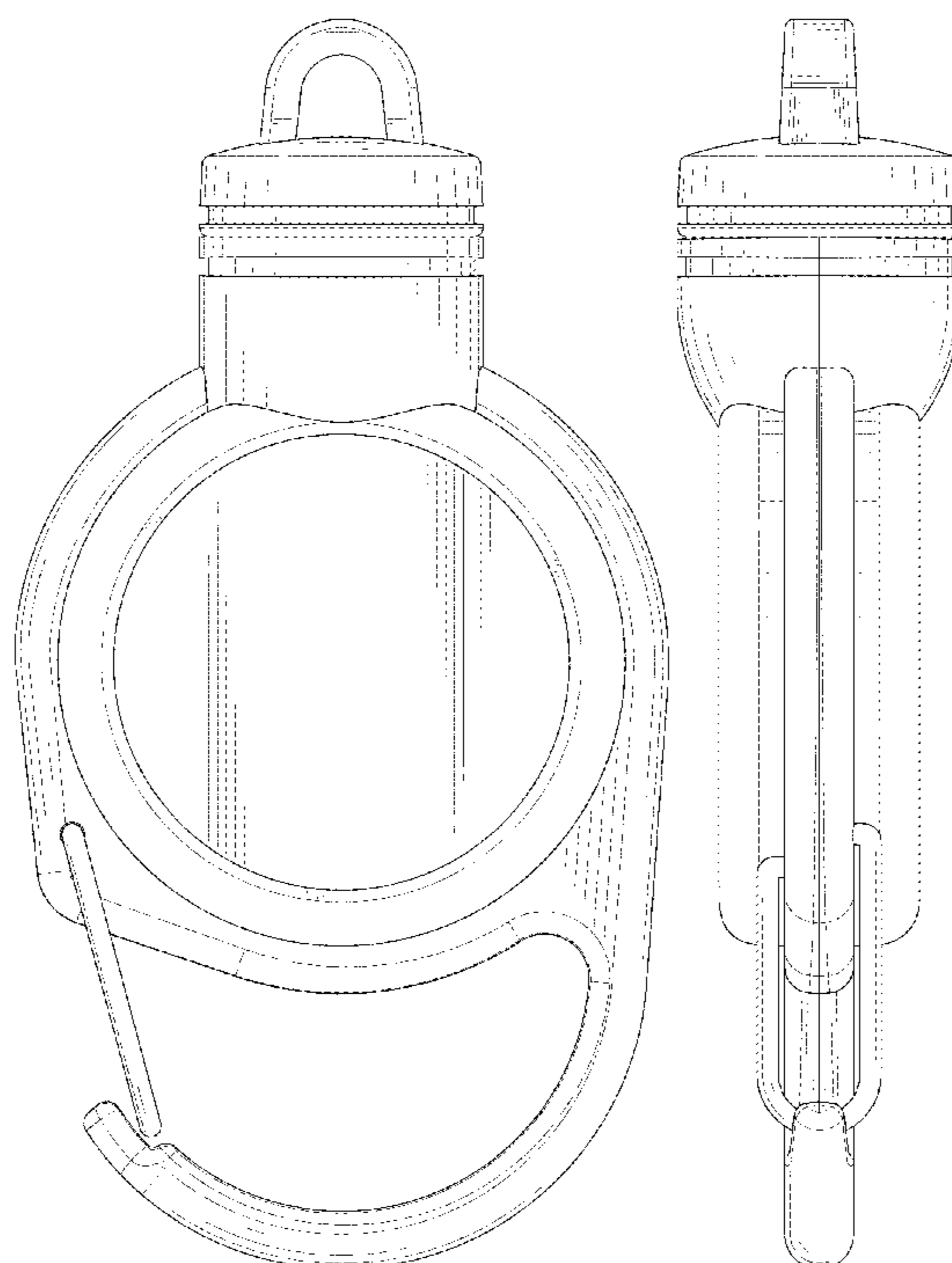
(56) **References Cited**

U.S. PATENT DOCUMENTS

D476,766 S * 7/2003 Halasz D26/38
D539,122 S * 3/2007 Tsai D8/358
RE40,379 E * 6/2008 Hastings D3/215
D573,493 S * 7/2008 Tsai D10/72
D654,781 S * 2/2012 Tsai D8/359
D661,534 S * 6/2012 Mullen D6/608
D684,798 S * 6/2013 Mullen D6/608

FIG. 1 is a perspective view of a buckle belt assembly showing my new design;
FIG. 2 is another perspective view thereof;
FIG. 3 is a front elevational view thereof;
FIG. 4 is a rear elevational view thereof;
FIG. 5 is a left side elevational view thereof;
FIG. 6 is a right side elevational view thereof;
FIG. 7 is a top plan view thereof; and,
FIG. 8 is a bottom plan view thereof.

1 Claim, 8 Drawing Sheets



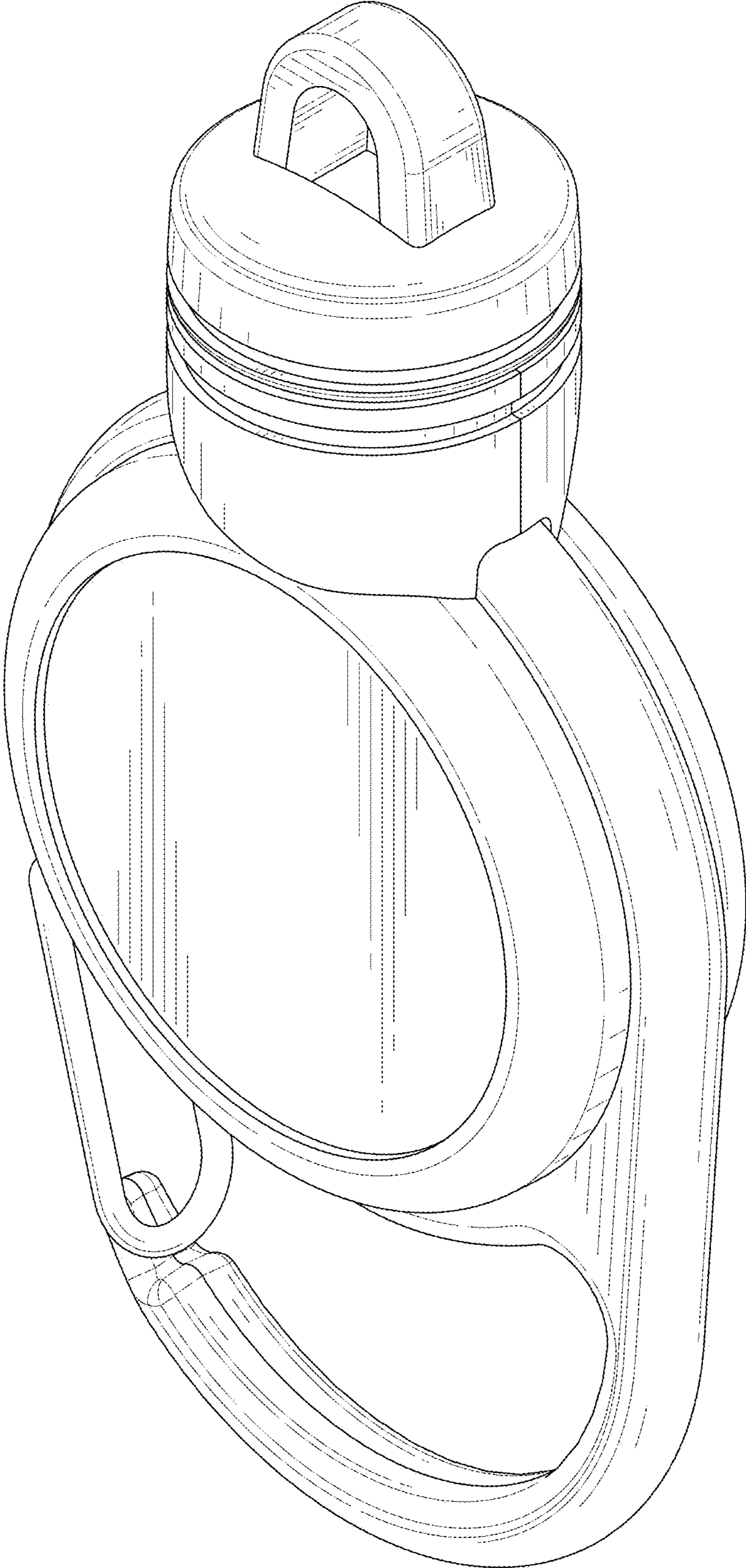


FIG. 1

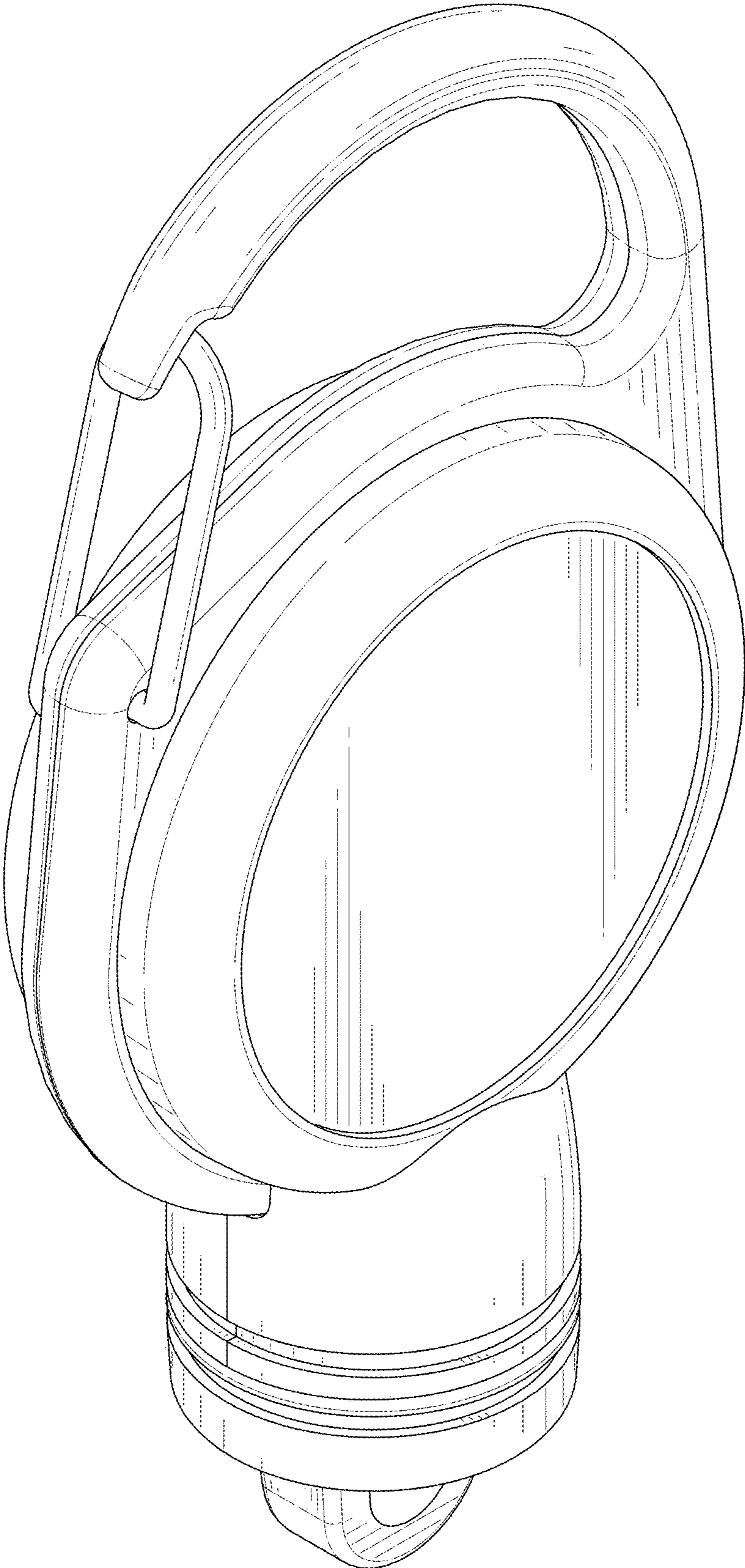


FIG. 2

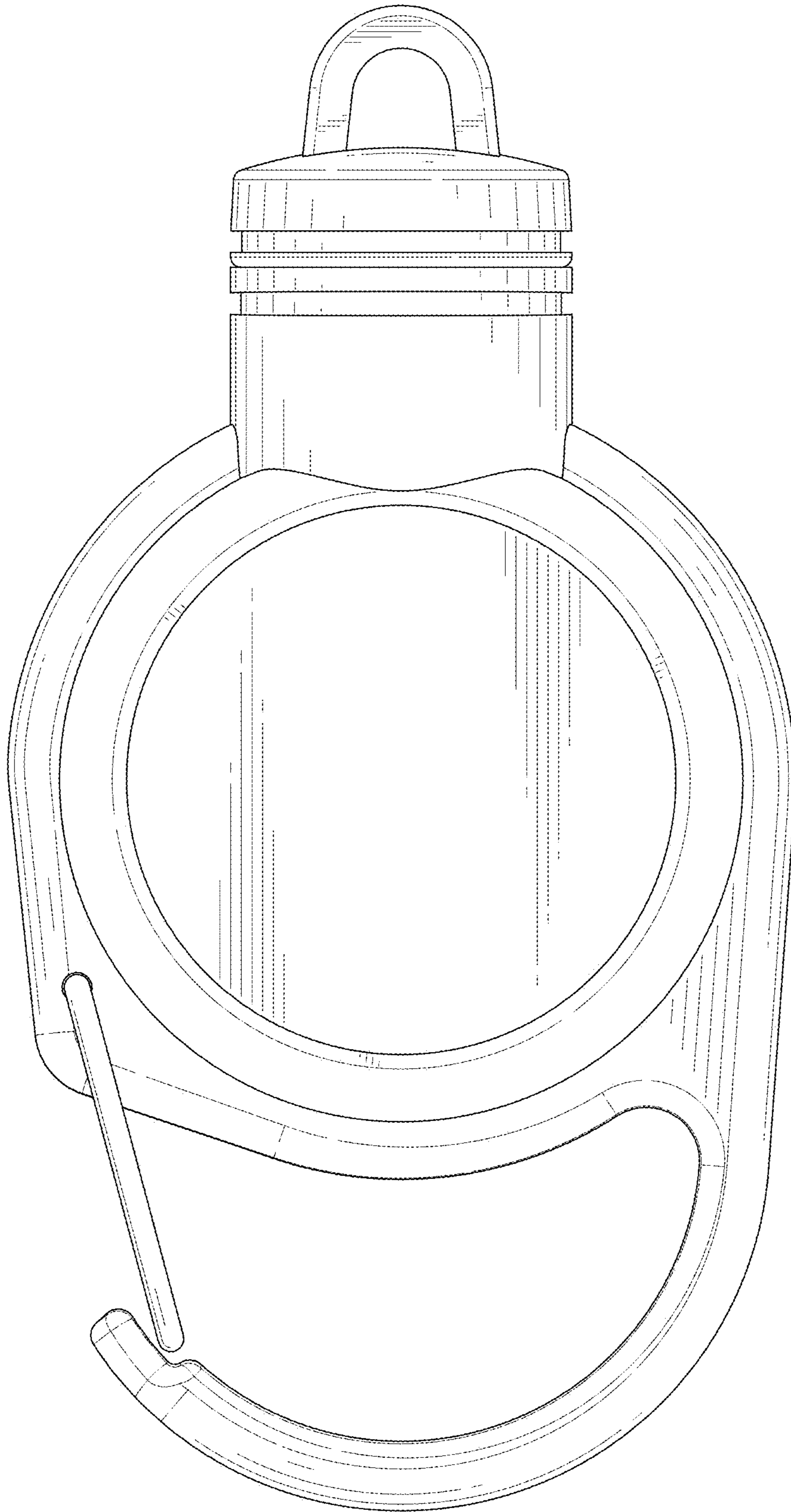


FIG. 3

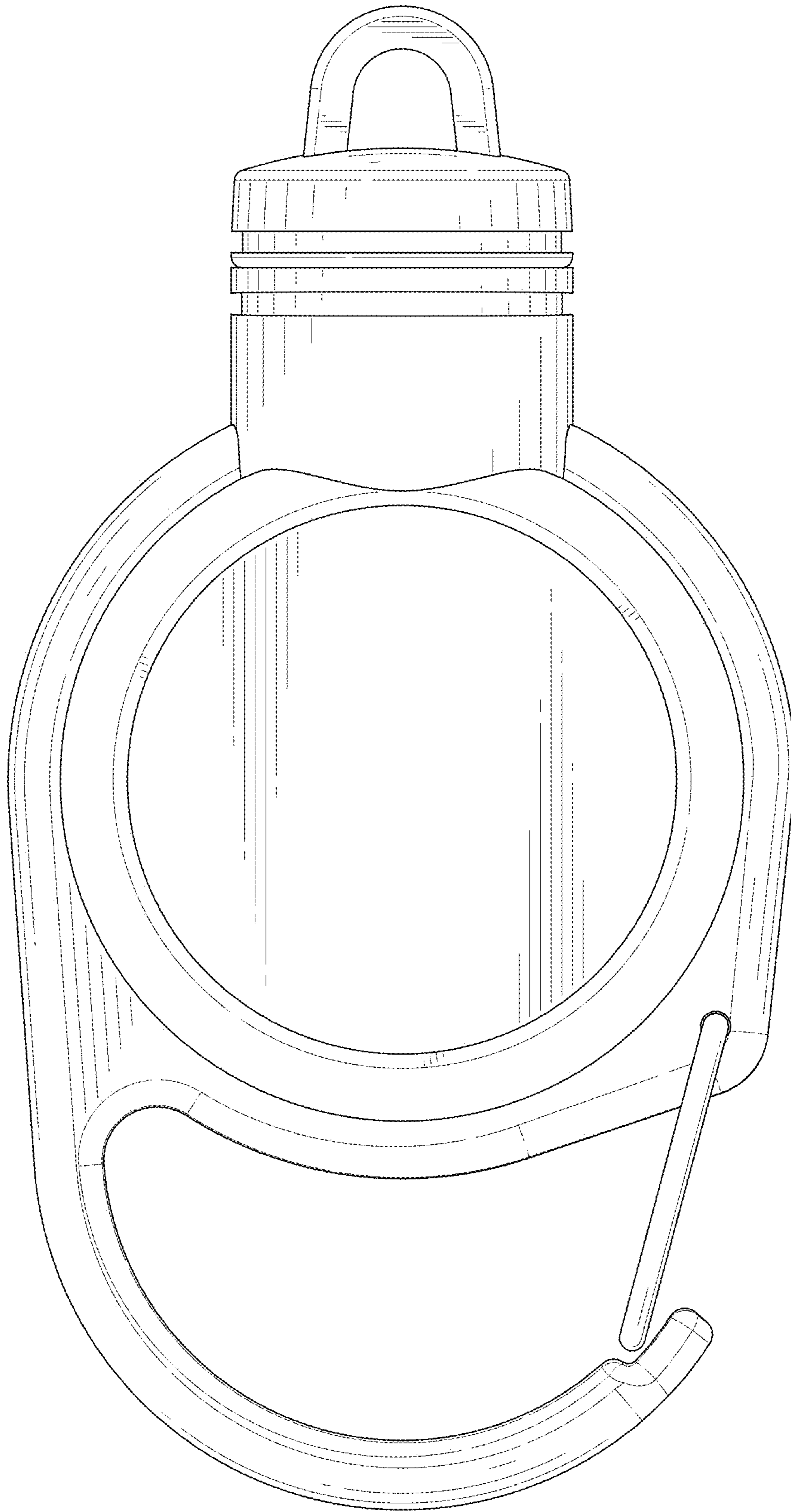


FIG. 4

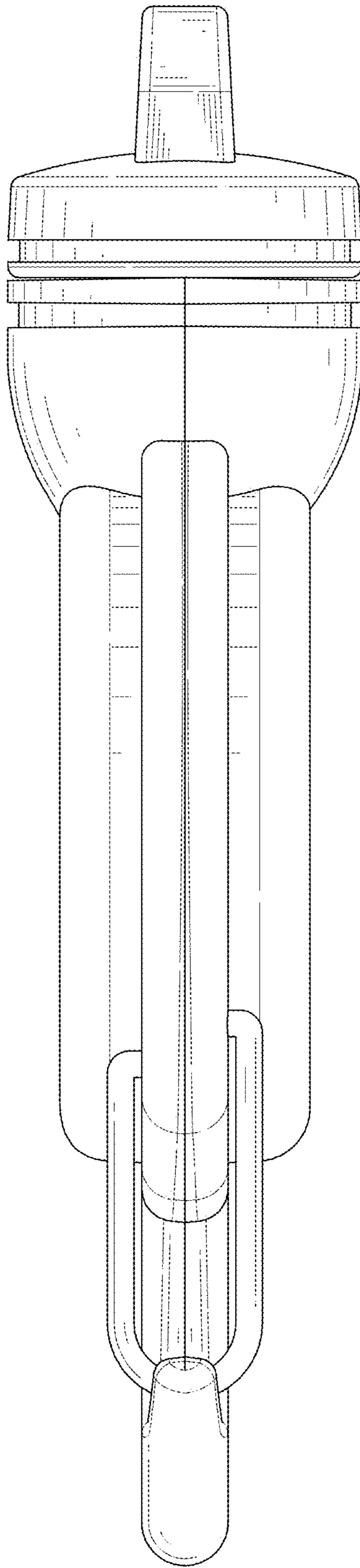


FIG. 5

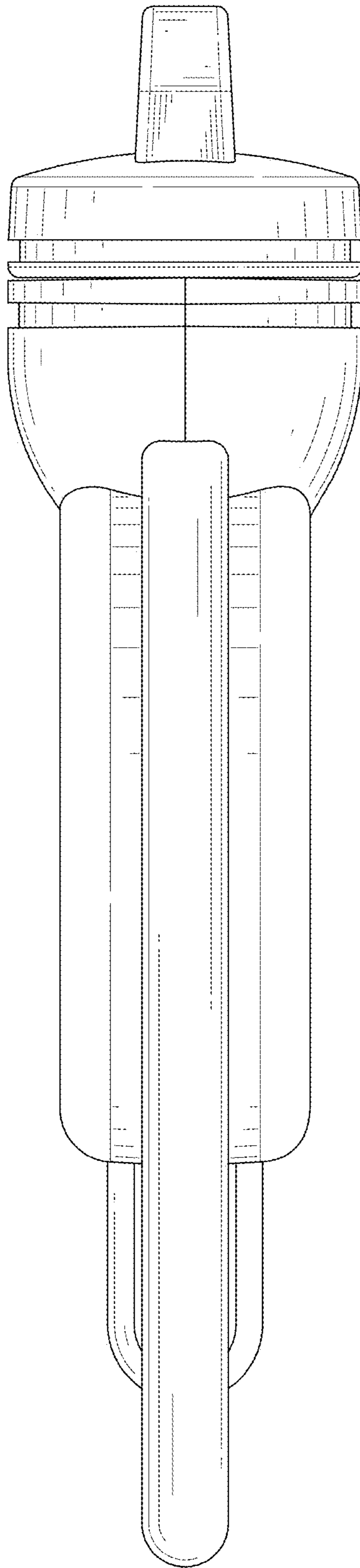


FIG. 6

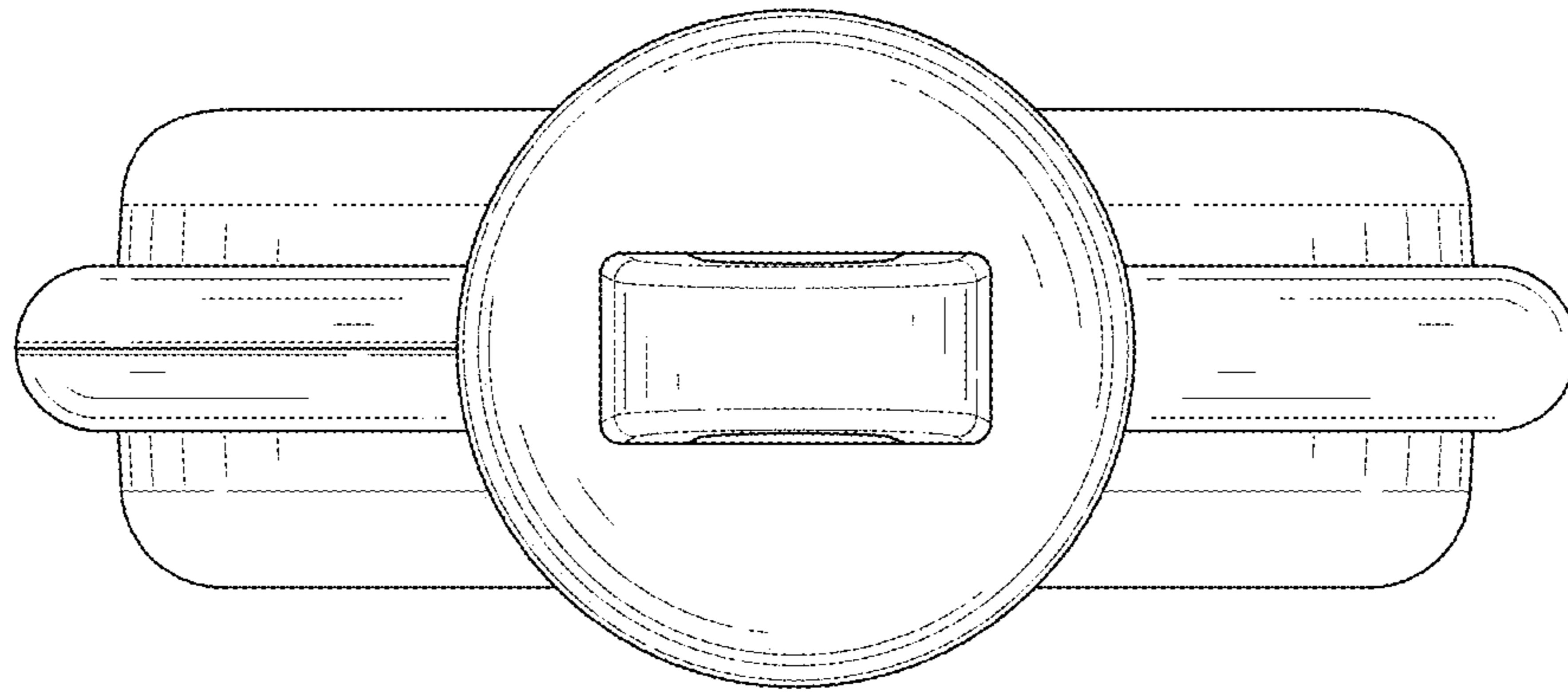


FIG. 7

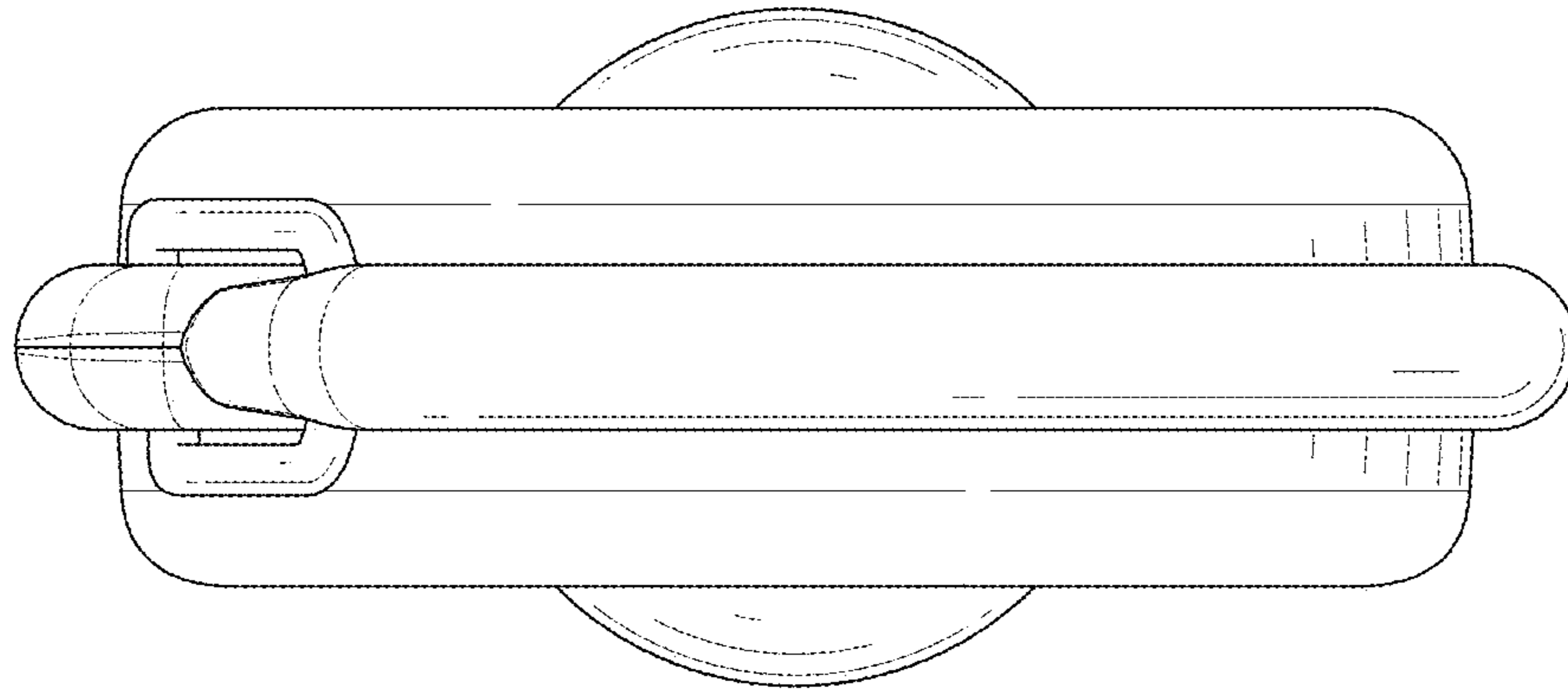


FIG. 8