



US00D920834S

(12) **United States Design Patent** (10) **Patent No.:** **US D920,834 S**
Maley (45) **Date of Patent:** **** Jun. 1, 2021**

(54) **JEWELRY BEAD**

(71) Applicant: **Diana Lyn Maley**, Philadelphia, PA (US)

(72) Inventor: **Diana Lyn Maley**, Philadelphia, PA (US)

(**) Term: **15 Years**

(21) Appl. No.: **29/703,539**

(22) Filed: **Aug. 28, 2019**

(51) **LOC (13) Cl.** **11-01**

(52) **U.S. Cl.**
USPC **D11/83; D11/86**

(58) **Field of Classification Search**
USPC D11/1, 3, 31, 34, 39, 41, 78.1, 79, 81, 2,
D11/4, 6, 7, 9, 10, 11, 12, 13, 14, 15, 16,
(Continued)

(56) **References Cited**

U.S. PATENT DOCUMENTS

D245,323 S * 8/1977 Galeza D11/39
D272,758 S * 2/1984 Koziol D11/89
(Continued)

FOREIGN PATENT DOCUMENTS

CN 306052074 * 9/2020

OTHER PUBLICATIONS

Shapeways Nicole 2 Hollow, no date available, [online], [site visited Nov. 17, 2020], Retrieved from url:<https://www.shapeways.com/product/TS3CTDKVG/nicole-2-hollow?optionId=62860333&li=shops> (Year: 2020).*

Primary Examiner — Wendy L Arminio
Assistant Examiner — Tracey J Bell

(74) *Attorney, Agent, or Firm* — Ballard Spahr LLP

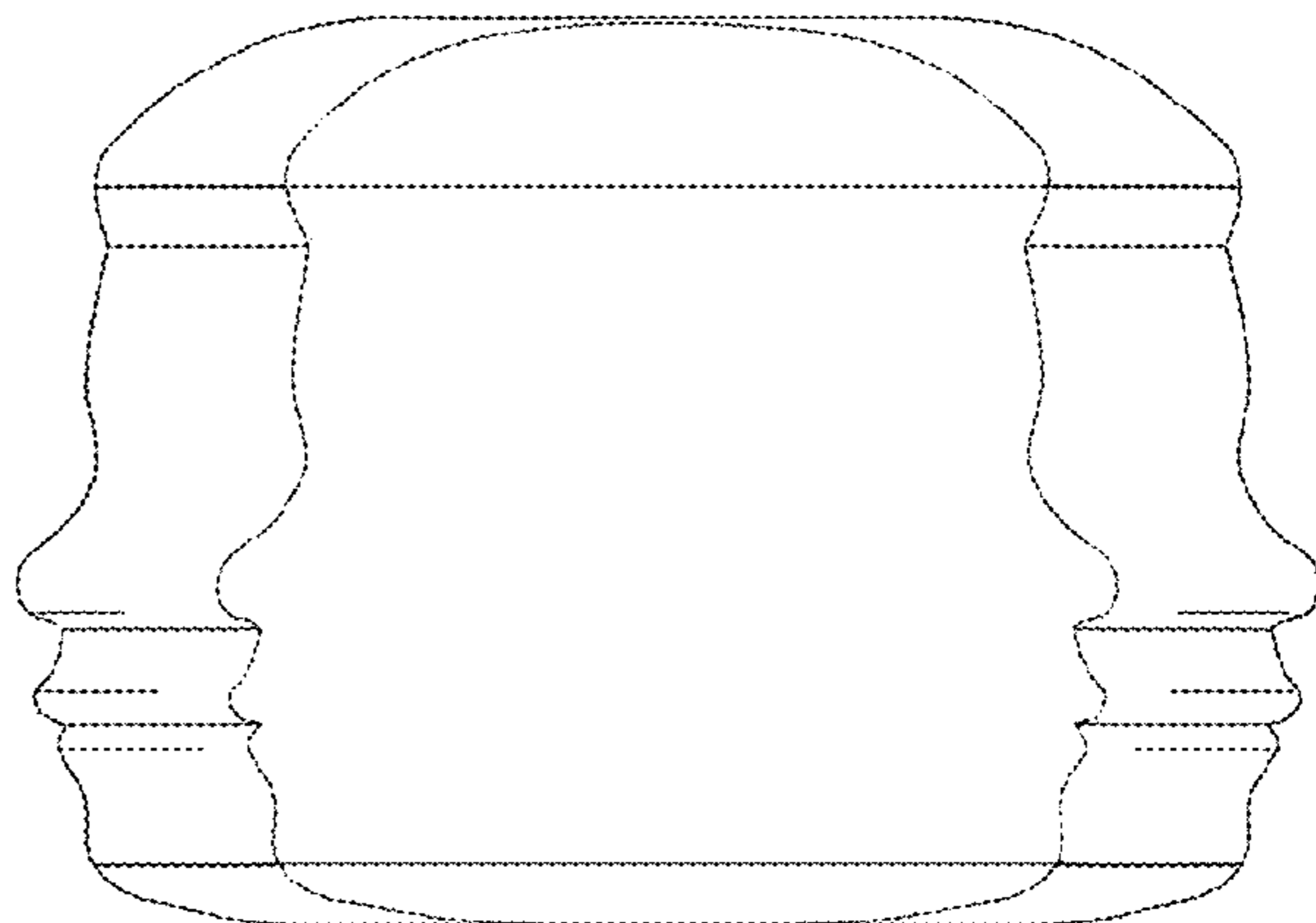
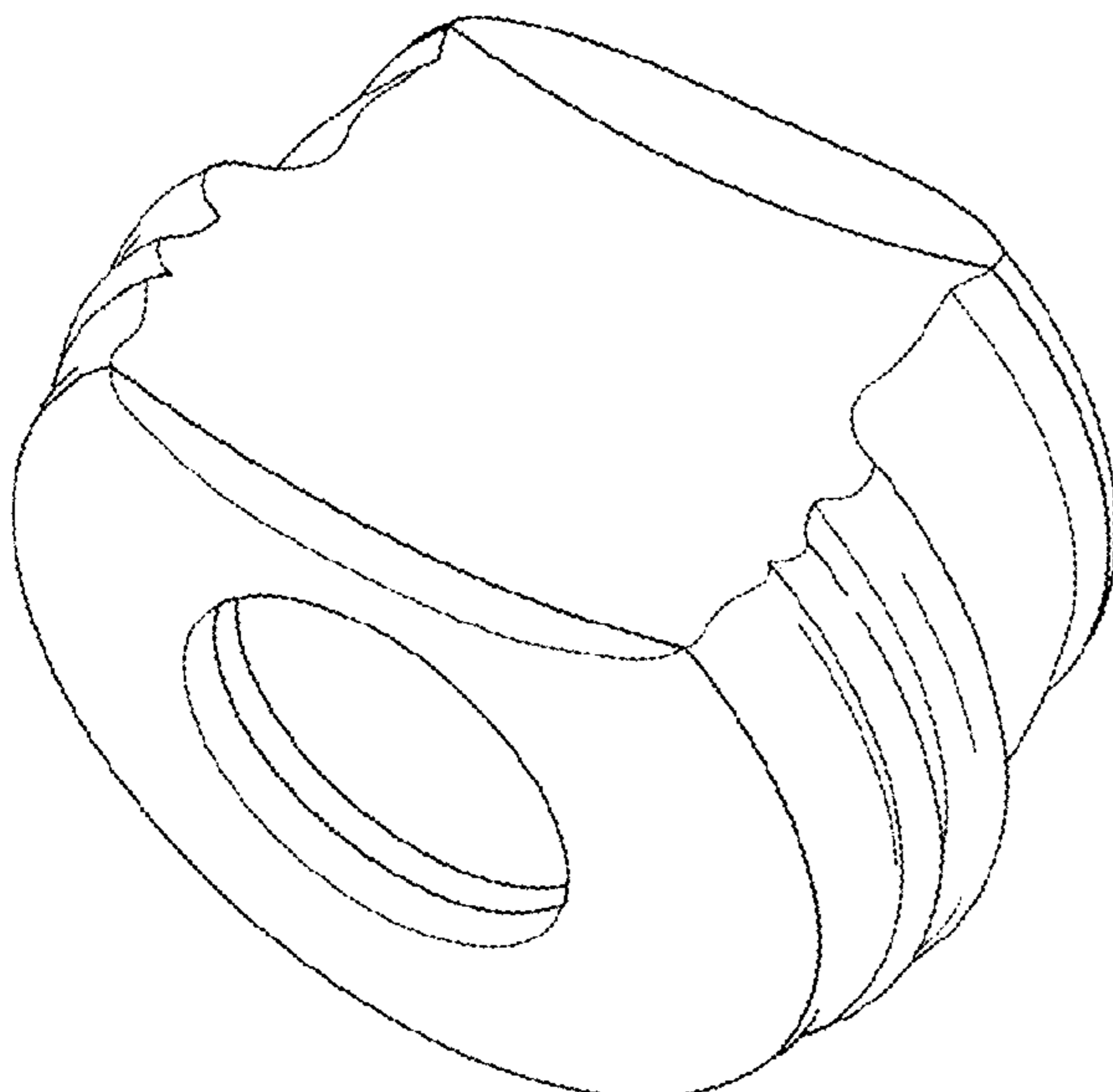
(57) **CLAIM**

The ornamental design for a jewelry bead, as shown and described.

DESCRIPTION

FIG. 1 is a front perspective view of a jewelry bead showing my new design;
FIG. 2 is a front elevational view of the jewelry bead of FIG. 1;
FIG. 3 is a rear elevational view of the jewelry bead of FIG. 1;
FIG. 4 is a top plan view of the jewelry bead of FIG. 1;
FIG. 5 is a bottom plan view of the jewelry bead of FIG. 1;
FIG. 6 is a right side plan view of the jewelry bead of FIG. 1;
FIG. 7 is a left side plan view of the jewelry bead of FIG. 1;
FIG. 8 is a cross-sectional view of the jewelry bead of FIG. 1, taken along section line 8-8 as shown in FIG. 4;
FIG. 9 is a sectional perspective view of the jewelry bead of FIG. 1, taken along section line 8-8 as shown in FIG. 4;
FIG. 10 is a cross-sectional view of the jewelry bead of FIG. 1, taken along section line 10-10 as shown in FIG. 4;
FIG. 11 is a sectional perspective view of the jewelry bead of FIG. 1, taken along section line 10-10 as shown in FIG. 4;
FIG. 12 is a perspective view of the jewelry bead of FIG. 1, with the jewelry bead secured to a portion of a necklace;
FIG. 13 is a perspective view of the jewelry bead of FIG. 1, with the jewelry bead secured on a portion of a bracelet;
FIG. 14 is a perspective view of the jewelry bead of FIG. 1, with the jewelry bead secured on a bracelet; and,
FIG. 15 is a perspective view of the jewelry bead of FIG. 1, with the jewelry bead secured on a portion of a necklace.
The broken lines in FIGS. 12-15 depict environmental subject matter and form no part of the claimed design.

1 Claim, 15 Drawing Sheets



(58) **Field of Classification Search**

USPC .. D11/17, 18, 20, 26-30, 35-38, 42-49, 57,
D11/58, 70, 75-78, 82, 85, 86, 89-92, 93,
D11/99, 108, 40, 32, 83, 150, 153;
D3/207, 211; D30/155
CPC .. A44C 1/00; A44C 3/00; A44C 3/004; A44C
7/00; A44C 7/001; A44C 7/002; A44C
7/004; A44C 7/007; A44C 7/009; A44C
9/00; A44C 9/0007; A44C 9/0015; A44C
9/0023; A44C 9/003; A44C 9/0053; A44C
9/0061; A44C 9/0069; A44C 13/00; A44C
15/00; A44C 15/0045; A44C 15/005;
A44C 15/0055; A44C 17/02; A44C
17/0208; A44C 17/0216; A44C 17/0233;
A44C 17/0241; A44C 17/025; A44C
15/0035; A44C 9/02; A44C 7/008; A44C
7/006; A44C 7/005; A44C 7/003; A44C
25/001; A44C 25/005; A44C 25/007;

A44C 25/008; A44C 15/001; A44C
15/0025; A44C 15/004

See application file for complete search history.

(56)

References Cited

U.S. PATENT DOCUMENTS

D272,760	S	*	2/1984	Koziol	D11/89
D272,847	S	*	2/1984	Koziol	D11/89
D440,180	S	*	4/2001	Giesen	D11/26
D522,903	S	*	6/2006	Jorgensen	D11/26
D660,193	S	*	5/2012	Neuner	D11/86
D668,985	S	*	10/2012	Huynh	D11/26
D741,212	S	*	10/2015	Mihaltian	D11/83
D743,832	S	*	11/2015	Gruosi	D11/81
2015/0359301	A1	*	12/2015	Lavorato	A44C 5/20 63/3.1
2016/0374439	A1	*	12/2016	Jacobs	F21V 3/04 63/1.13

* cited by examiner

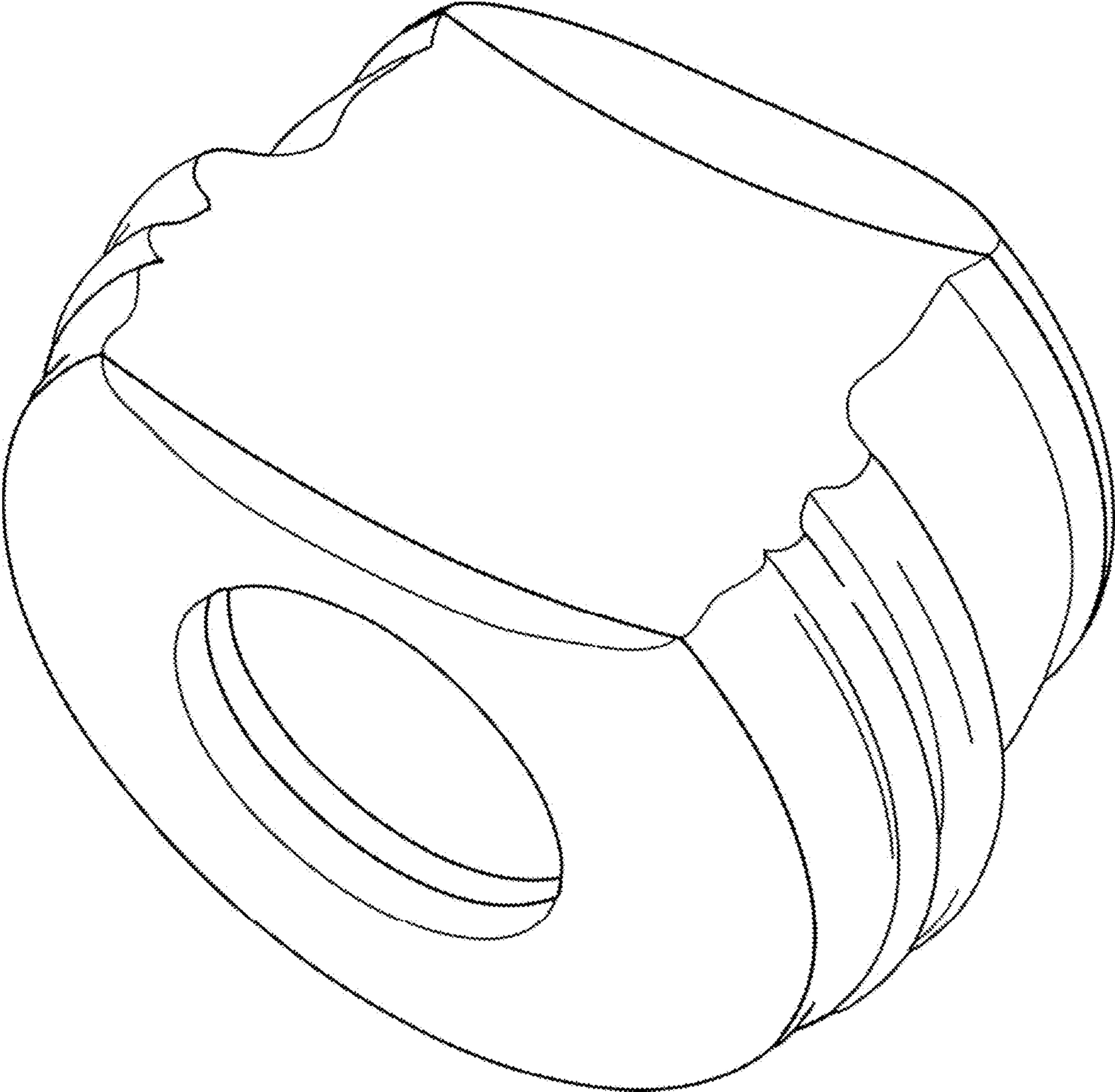


FIG. 1

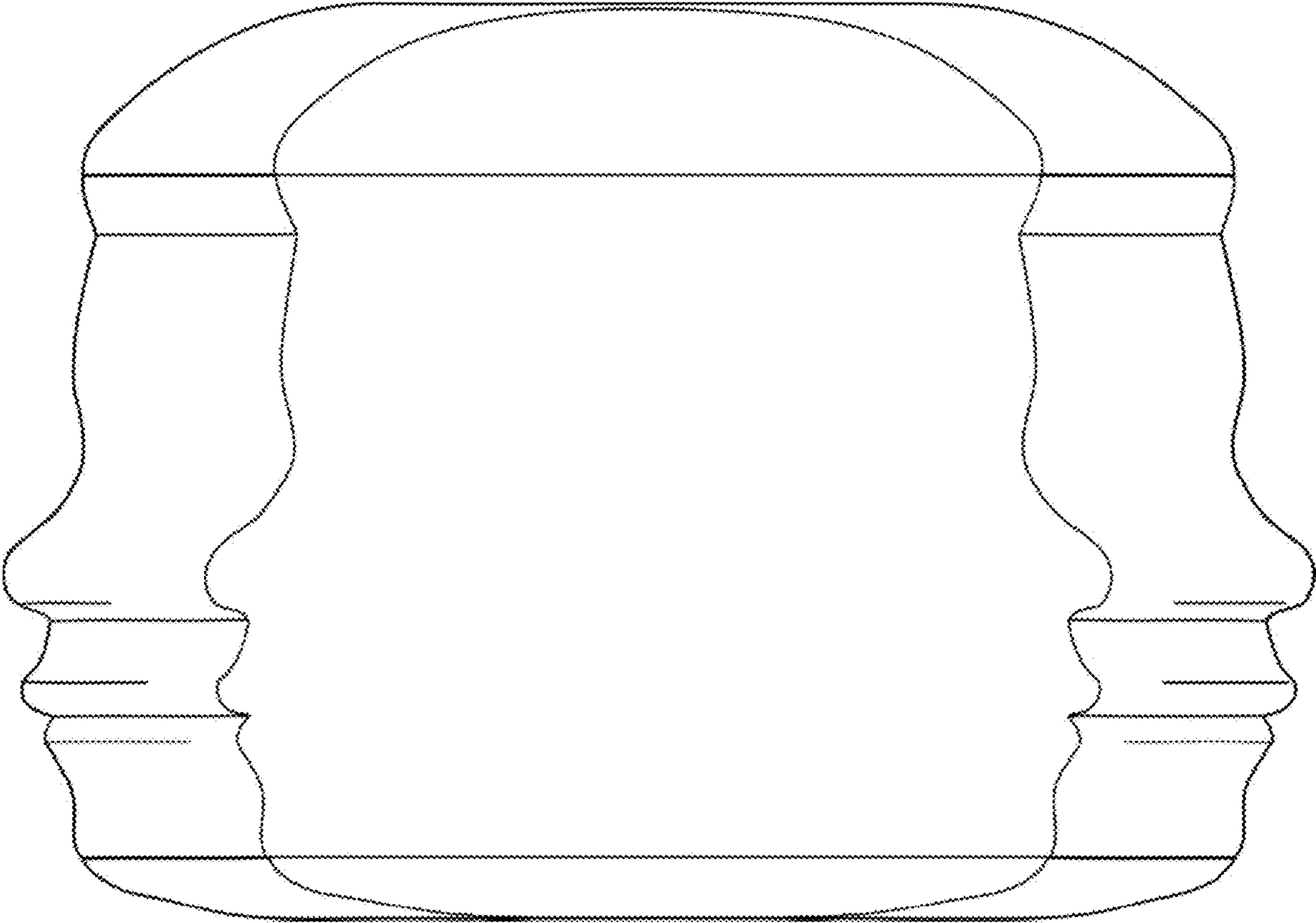


FIG. 2

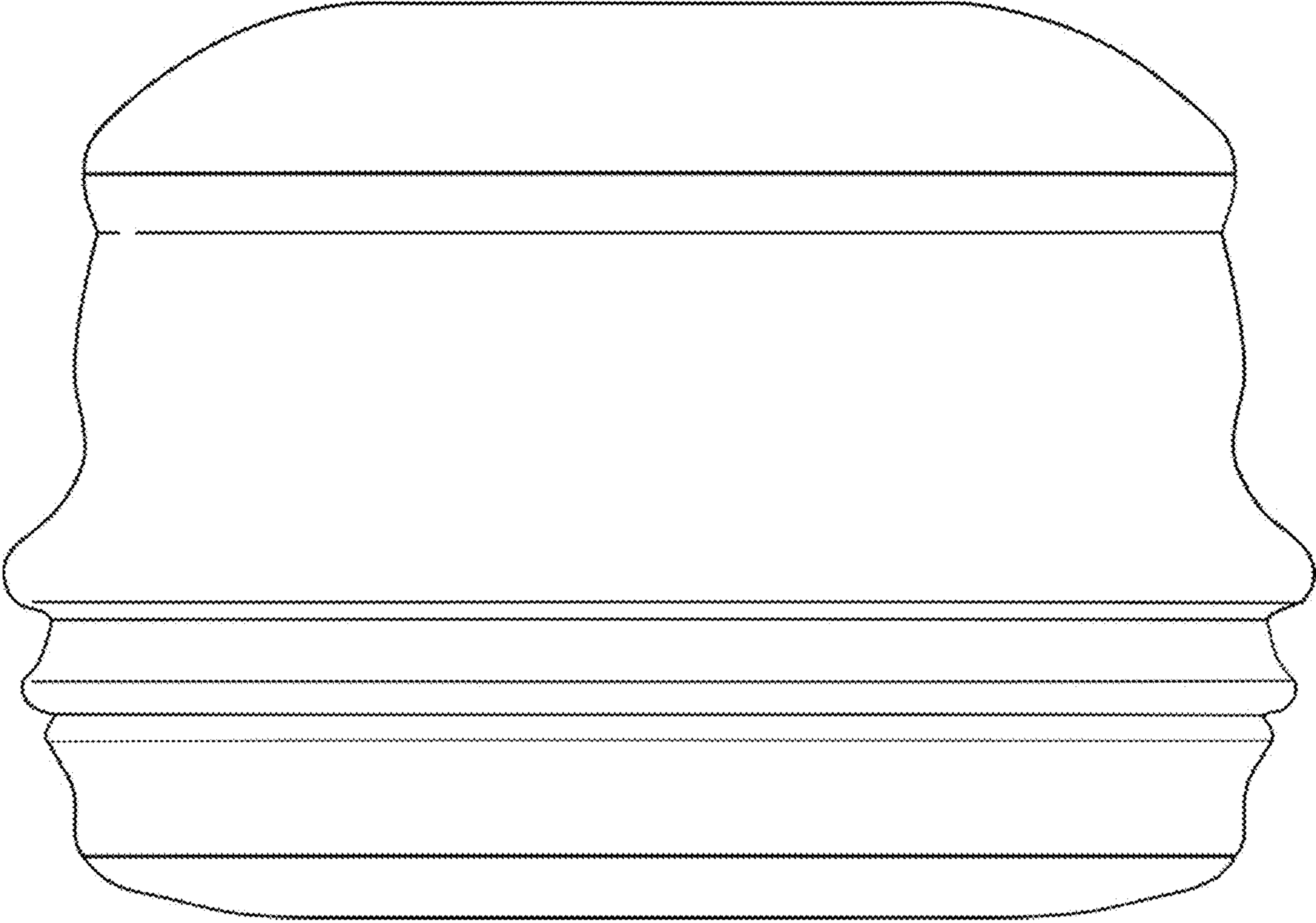


FIG. 3

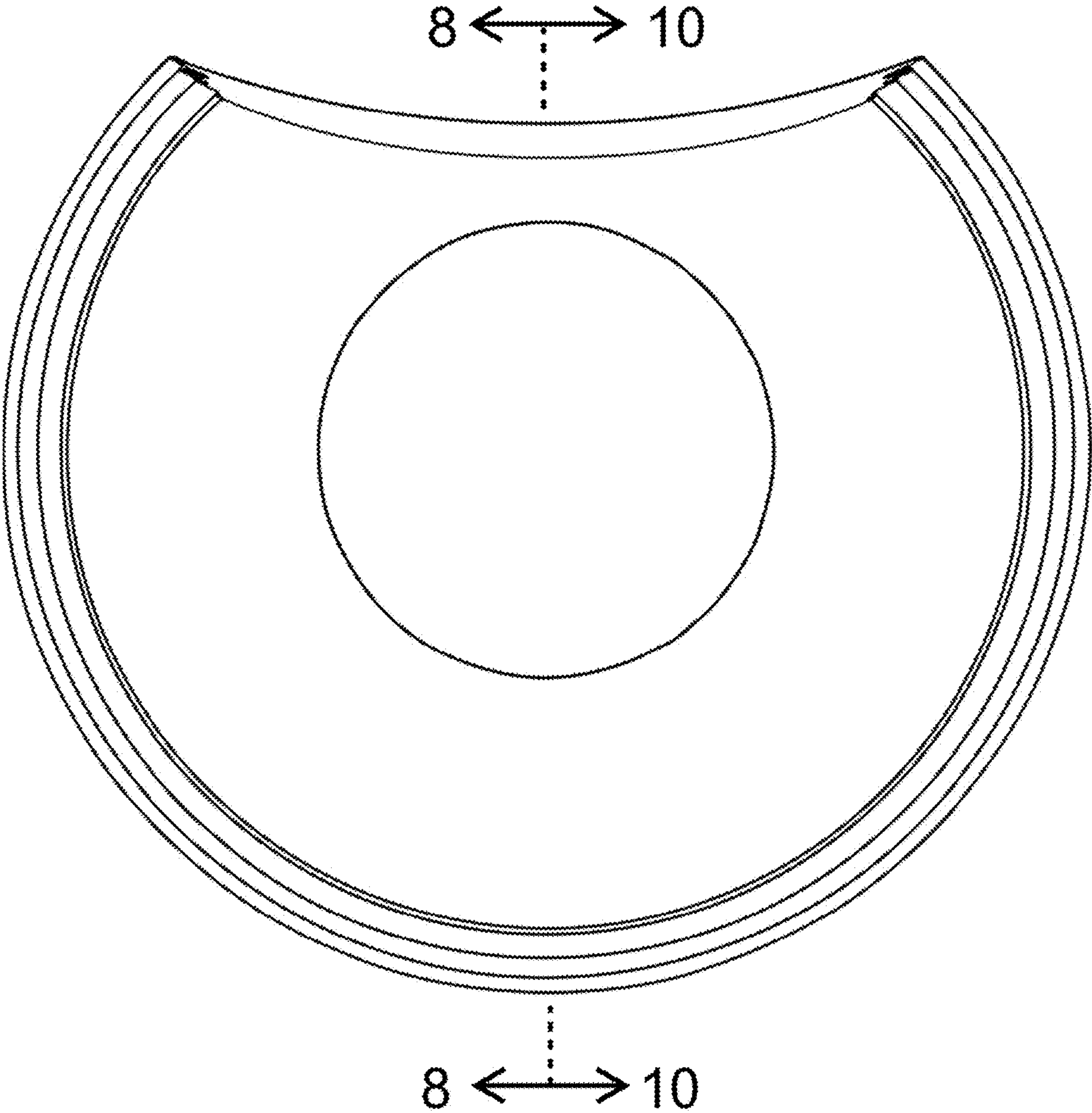


FIG. 4

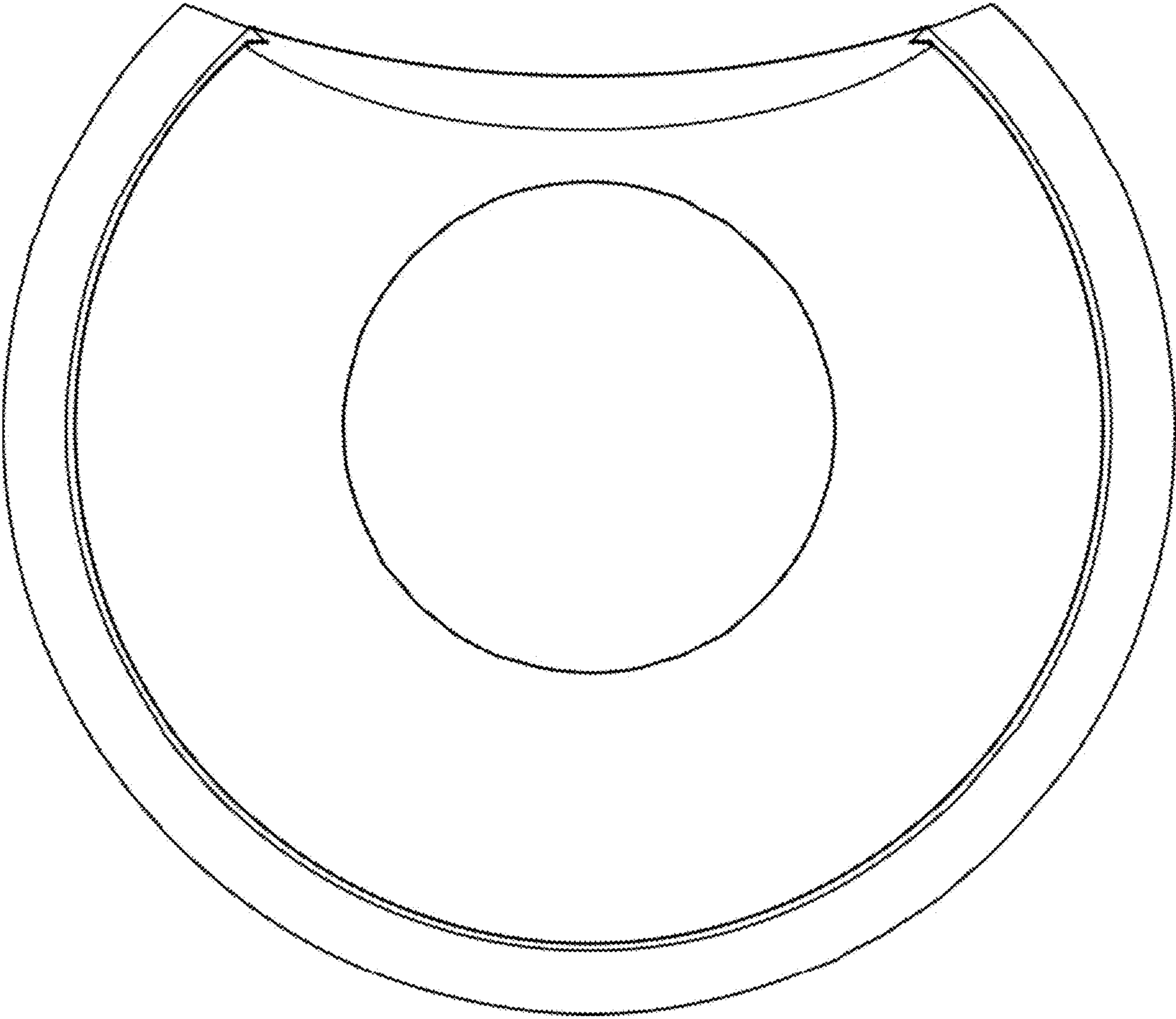


FIG. 5

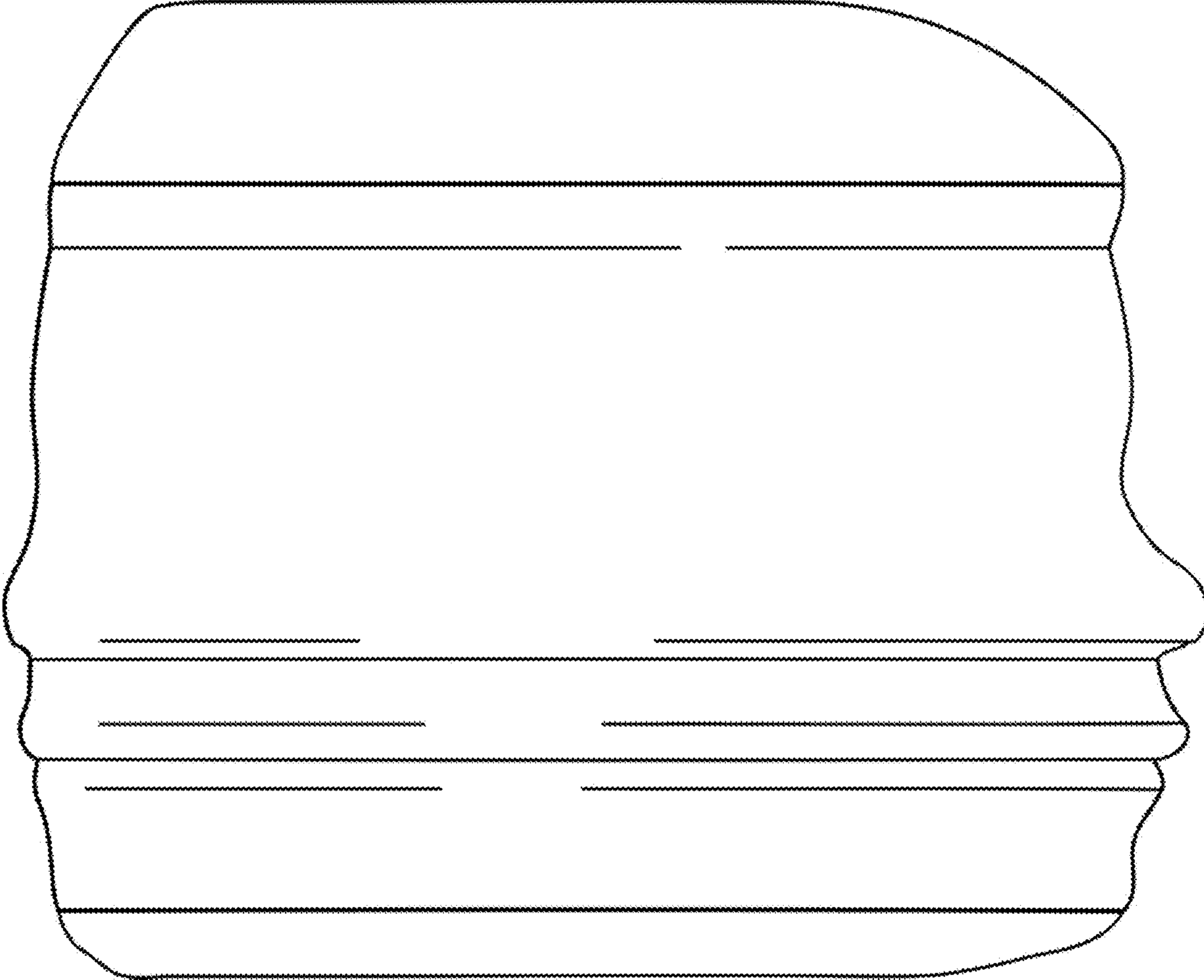


FIG. 6

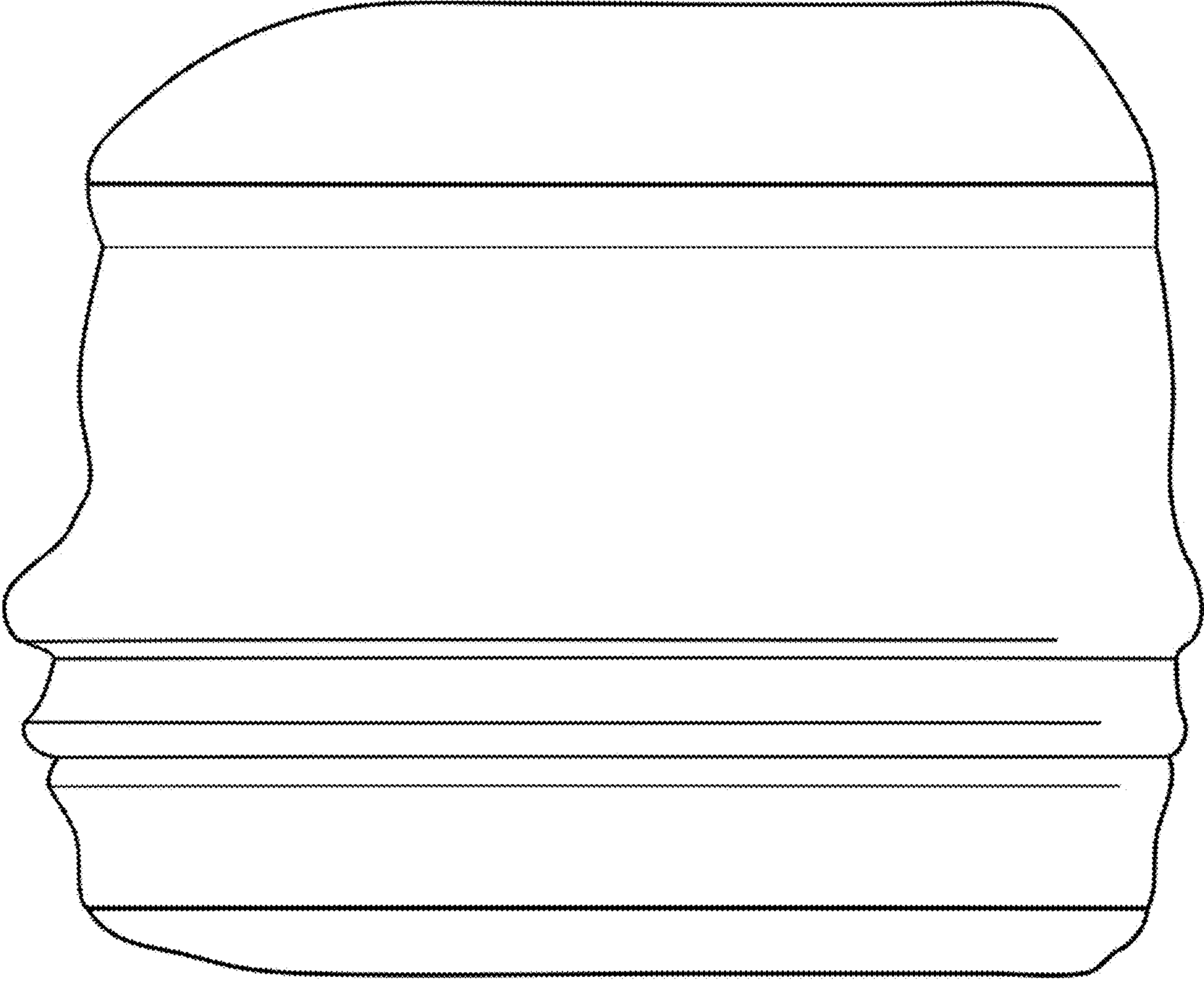


FIG. 7

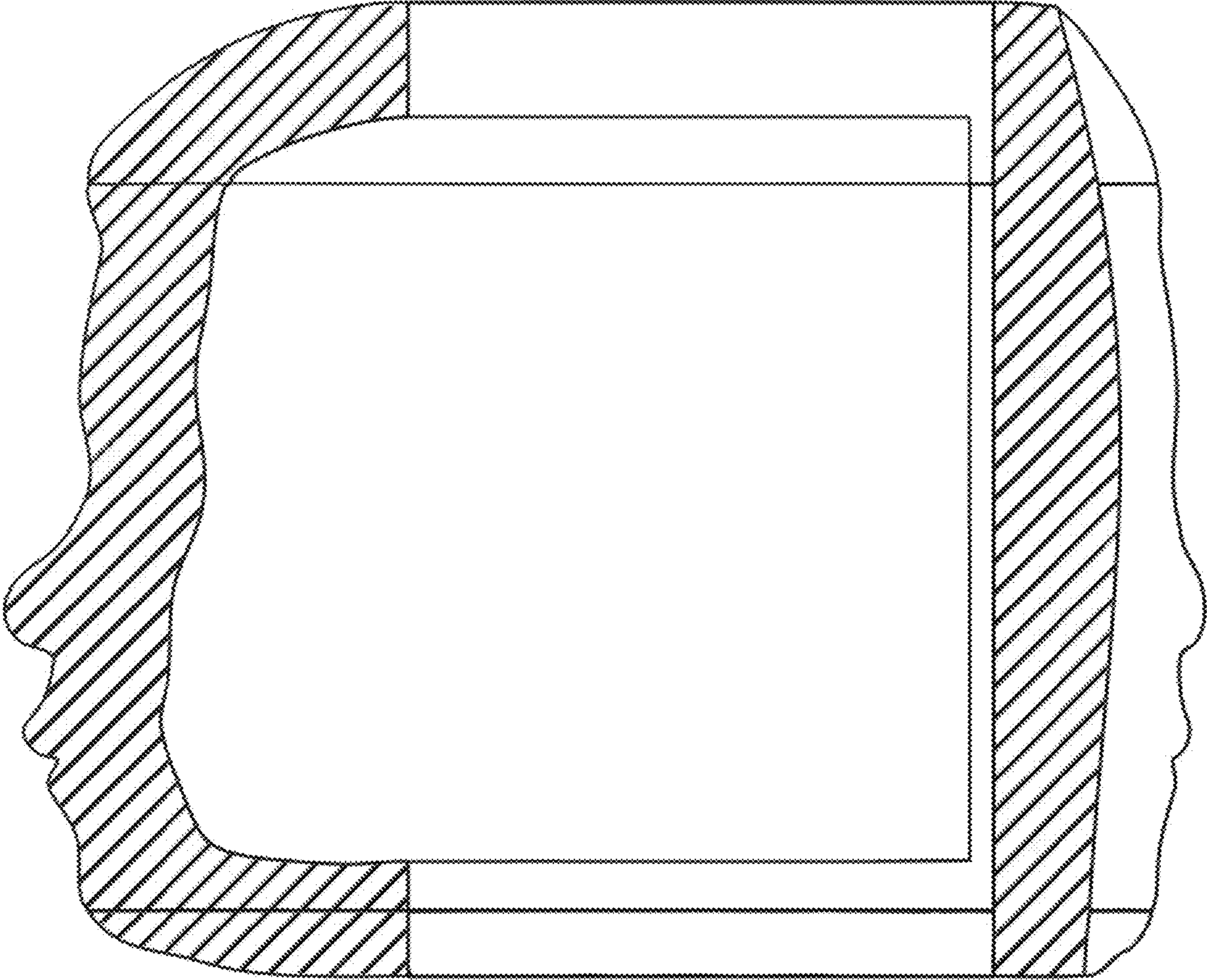


FIG. 8

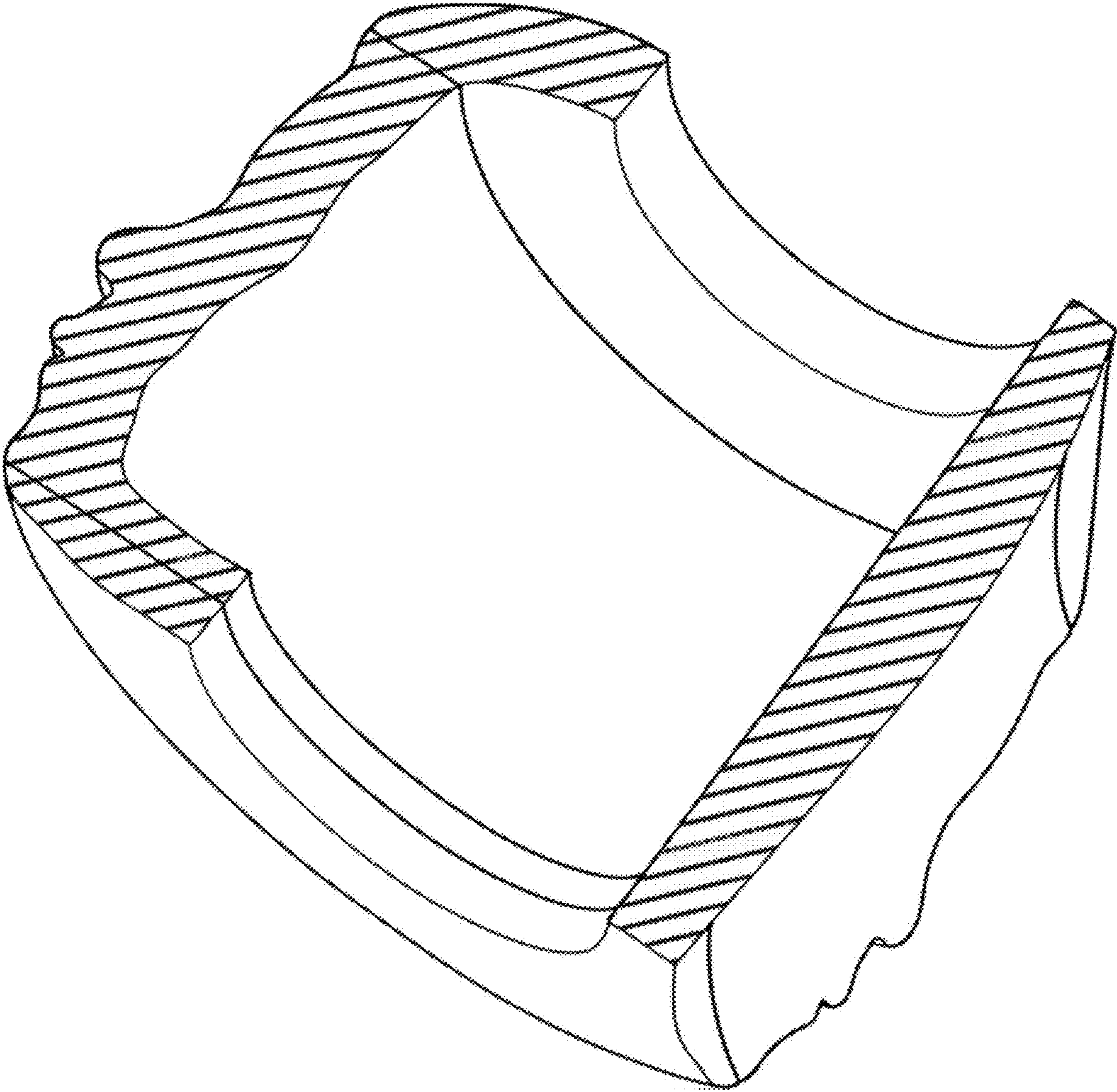


FIG. 9

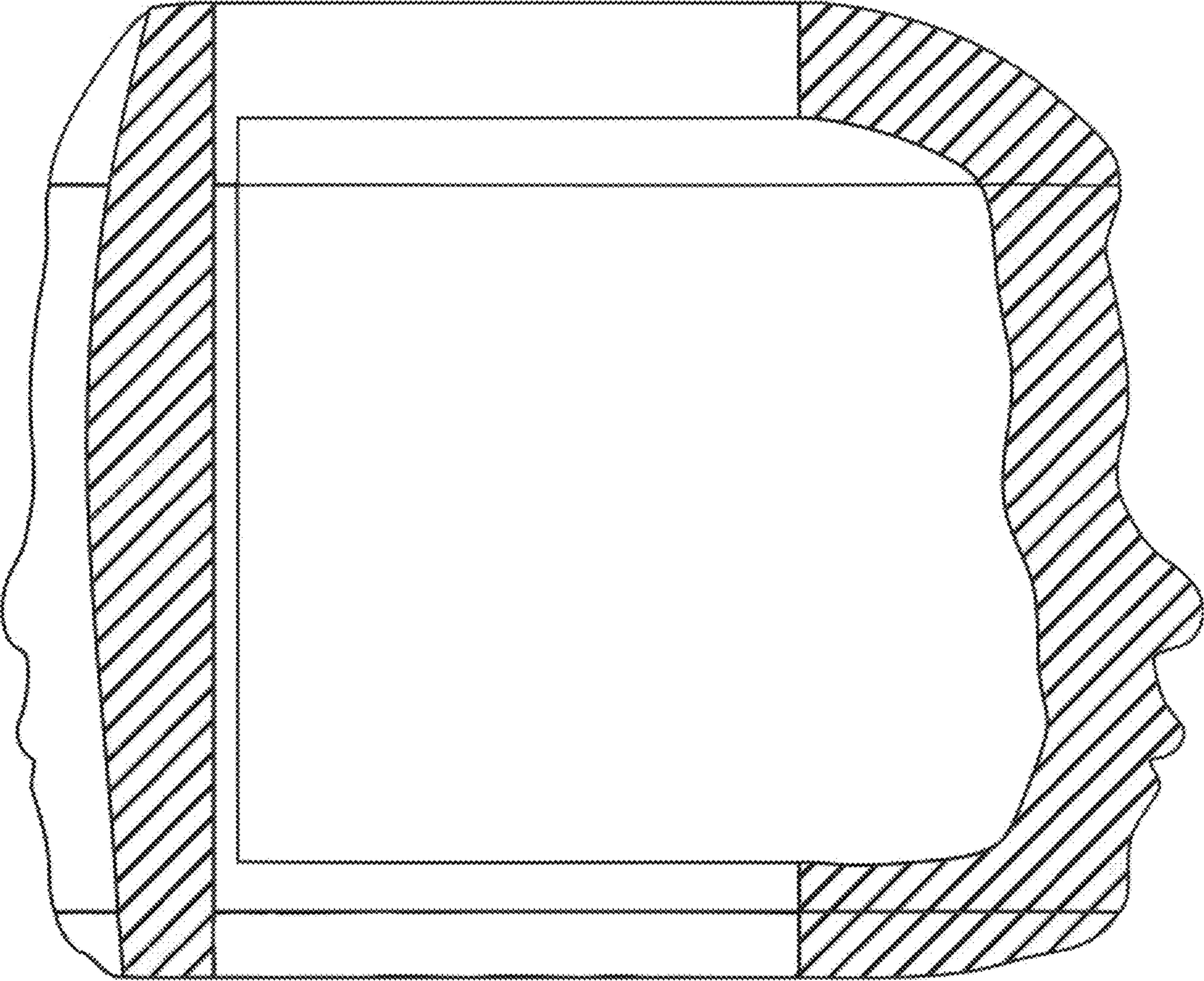


FIG 10

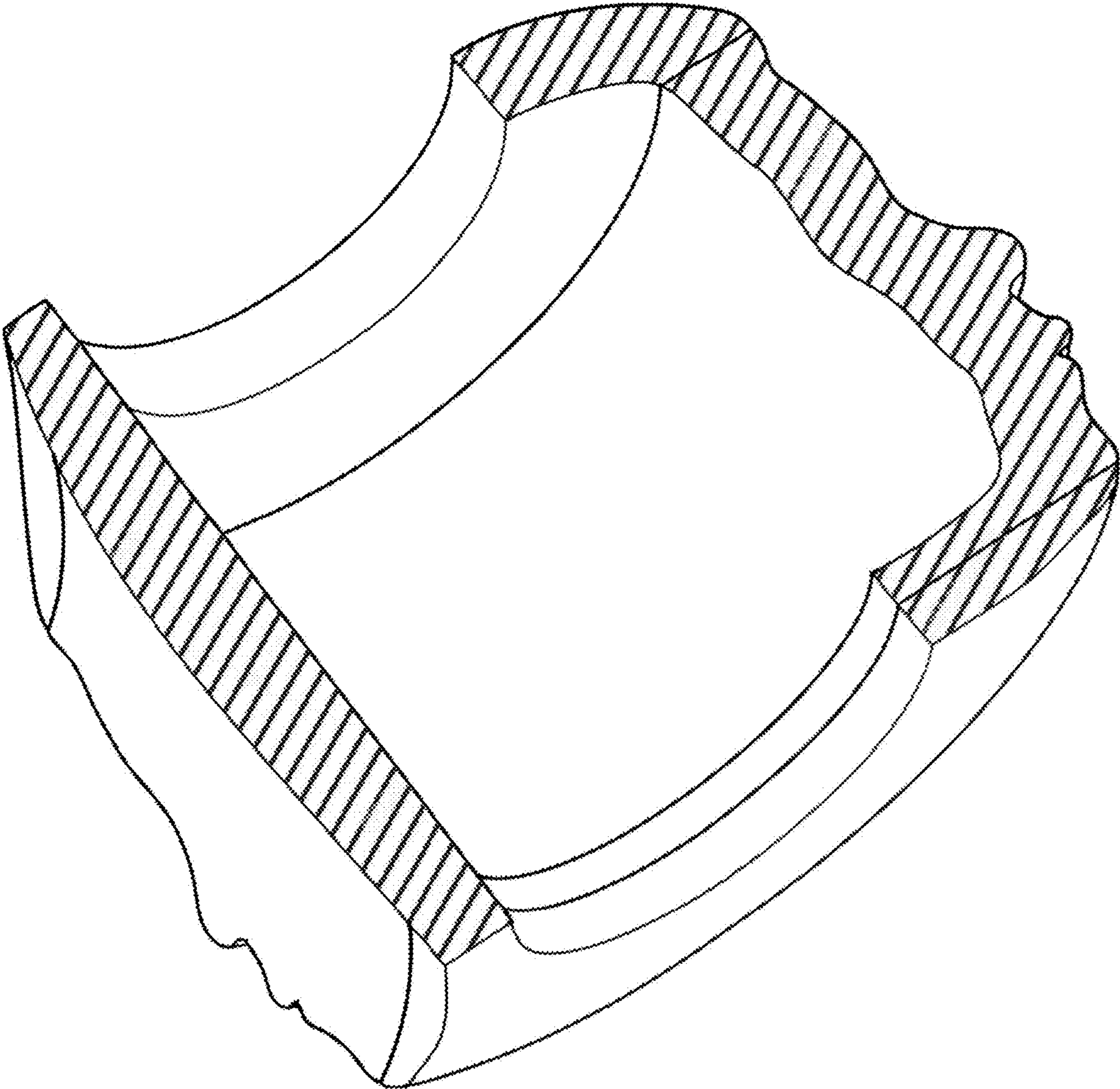


FIG. 11

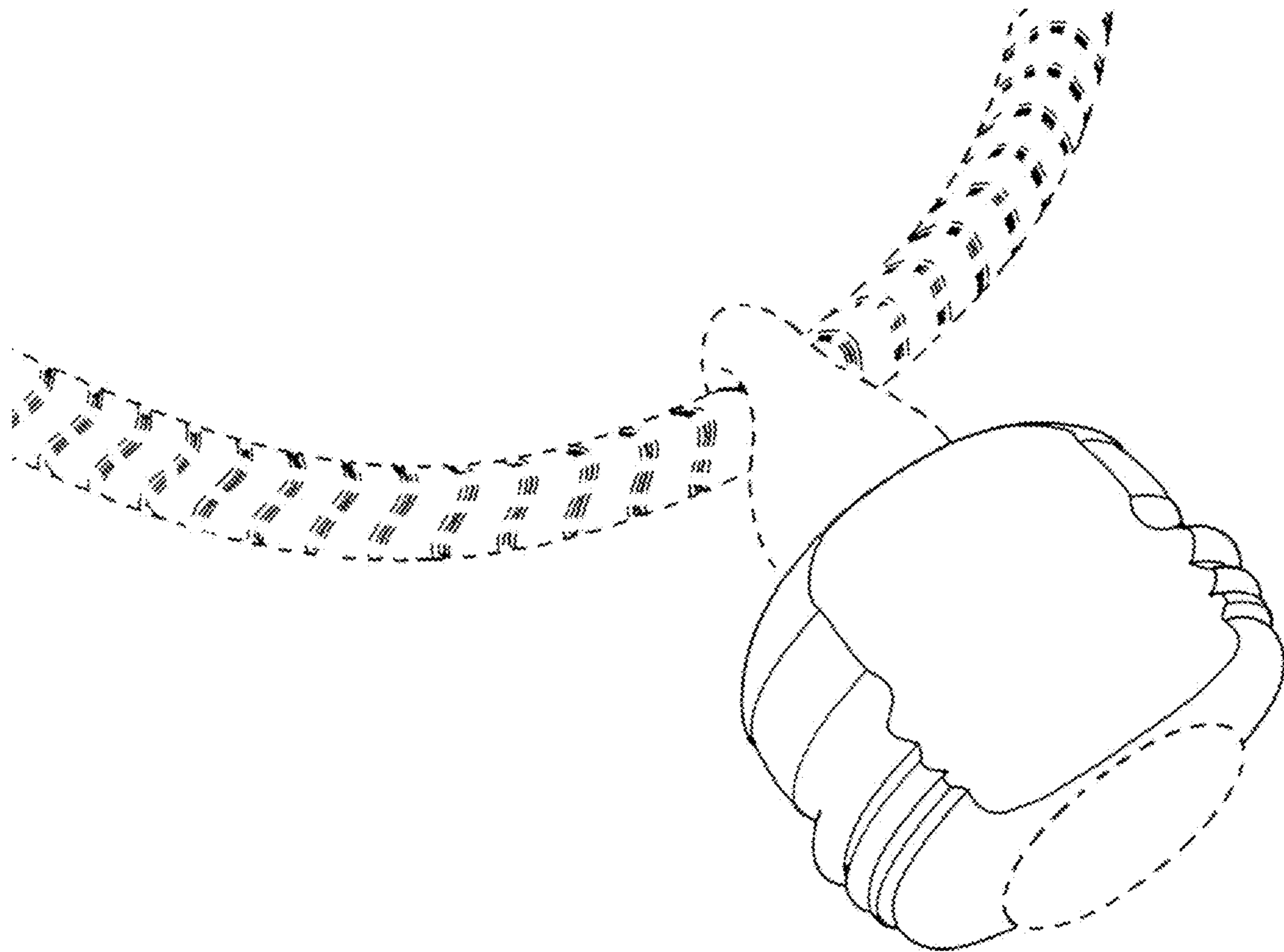


FIG. 12

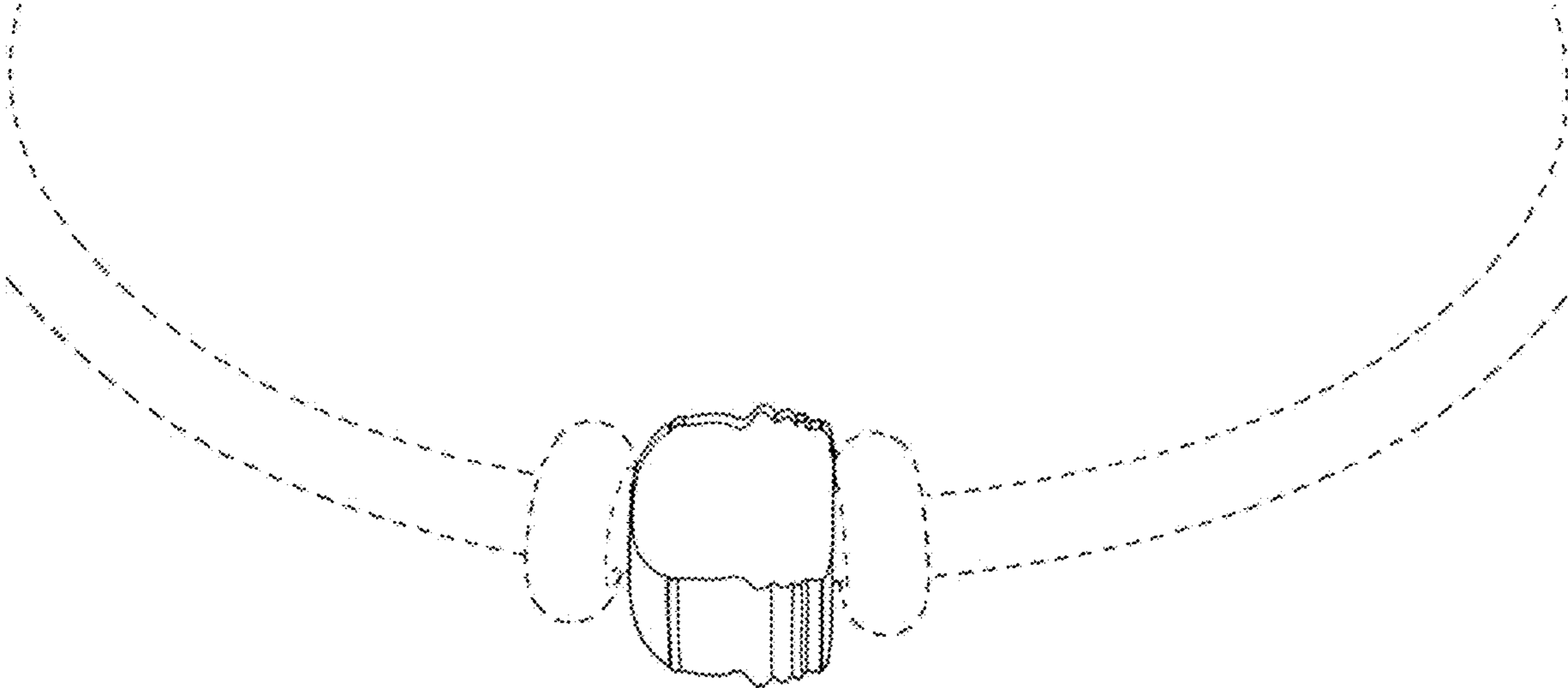


FIG. 13

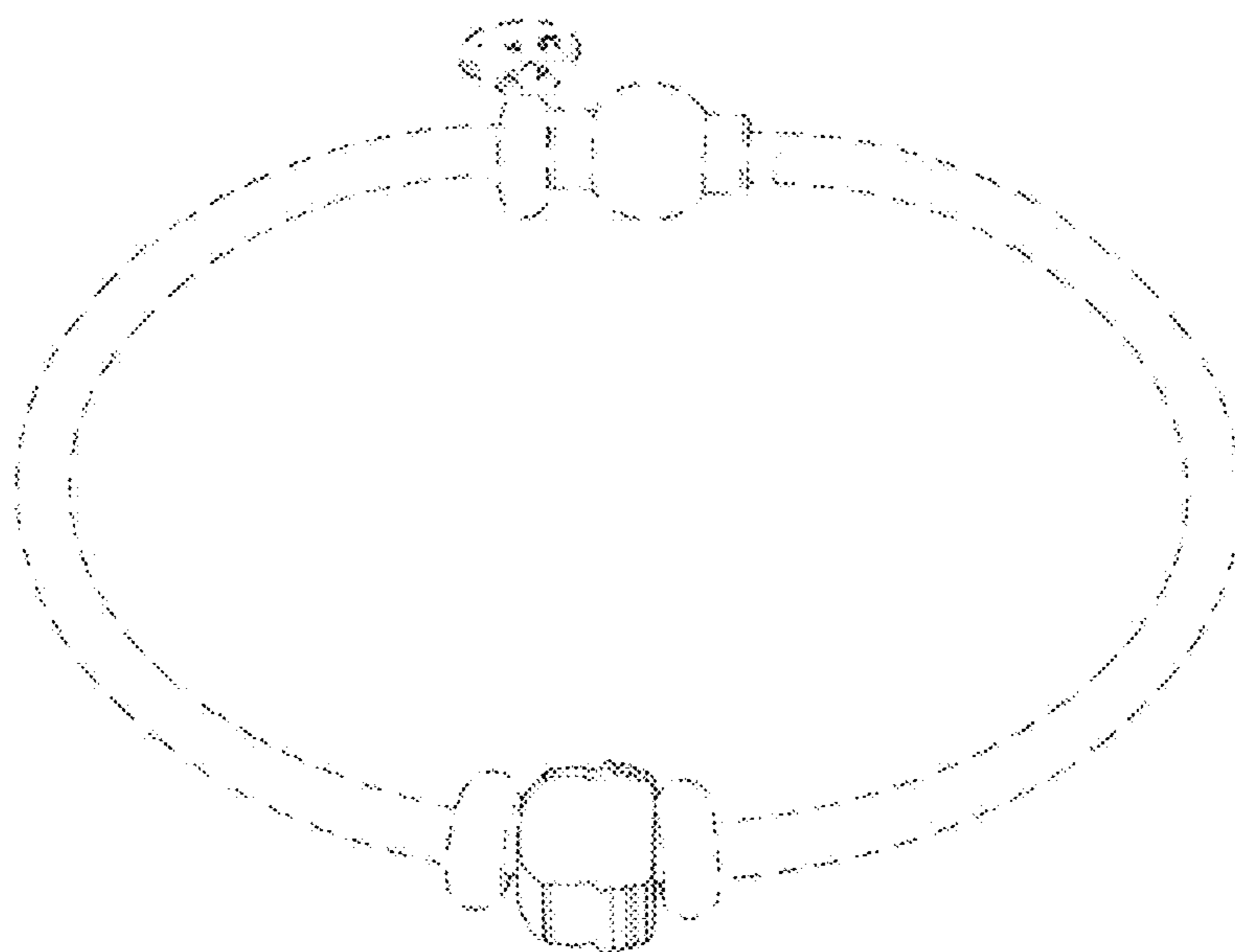


FIG. 14

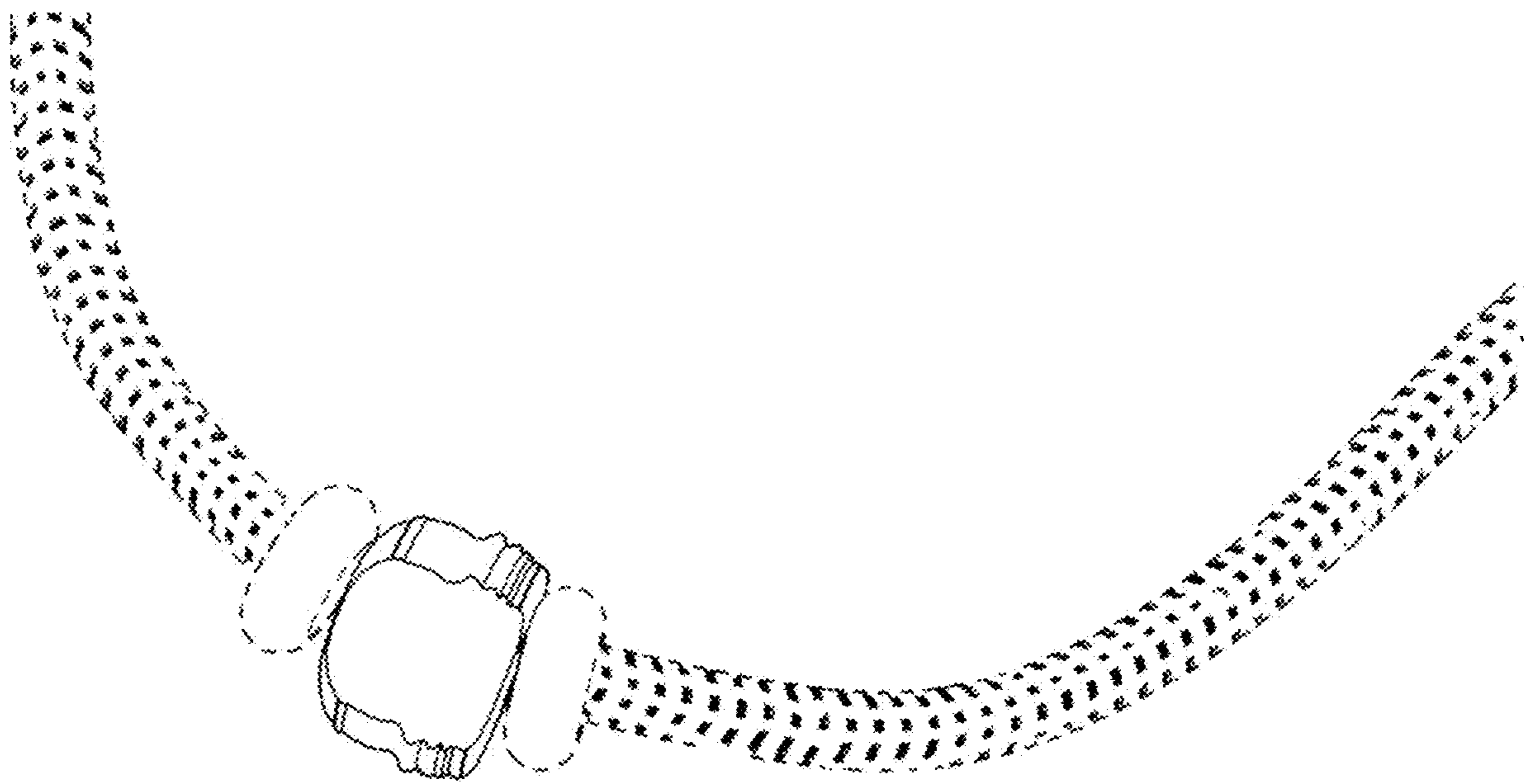


FIG. 15