



US00D920832S

(12) **United States Design Patent** (10) **Patent No.:** **US D920,832 S**
Xie (45) **Date of Patent:** **** Jun. 1, 2021**

(54) **WATCHBAND**

D544,801 S * 6/2007 Hardy D10/32
D644,138 S * 8/2011 Webb D11/3
D644,951 S * 9/2011 Iacomucci D11/3

(71) Applicant: **Zijun Xie**, Shenzhen (CN)

* cited by examiner

(72) Inventor: **Zijun Xie**, Shenzhen (CN)

Primary Examiner — Llorelys Martinez

(**) Term: **15 Years**

(74) *Attorney, Agent, or Firm* — Law Offices of Steven W. Weinrieb

(21) Appl. No.: **29/704,097**

(57) **CLAIM**

(22) Filed: **Aug. 31, 2019**

The ornamental design for a watchband, as shown and described.

(51) **LOC (13) Cl.** **11-01**

DESCRIPTION

(52) **U.S. Cl.**

USPC **D11/16**

(58) **Field of Classification Search**

USPC D11/1-6, 11-16; D10/31, 32; D14/344
CPC A44C 5/00; A44C 5/0007; A44C 5/0015;
A44C 5/0023; A44C 5/003; A44C
5/0053; A44C 5/0084; A44C 11/00; A44C
11/007; A44C 13/00

See application file for complete search history.

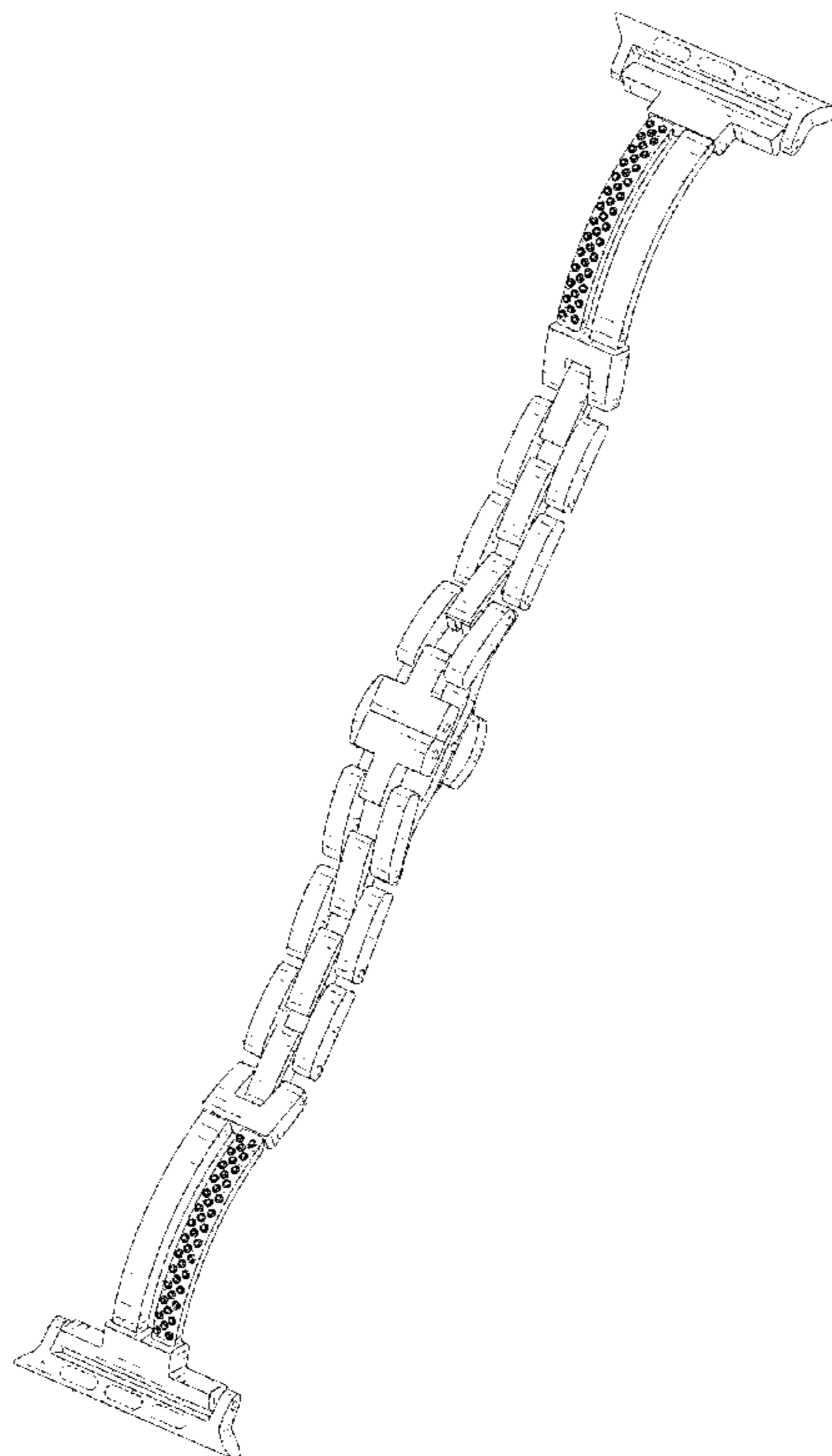
FIG. 1 is a front, right side, top perspective view of a watchband showing my new design;
FIG. 2 is a rear, right side, top perspective view thereof;
FIG. 3 is a front elevational view thereof
FIG. 4 is a rear elevational view thereof;
FIG. 5 is a left side elevational view thereof;
FIG. 6 is a right side elevational view thereof;
FIG. 7 is a top plan view thereof;
FIG. 8 is a bottom plan view thereof;
FIG. 9 is an enlarged view, of the encircled region 9 shown in FIG. 2;
FIG. 10 is an enlarged view of the encircled region 10 shown in FIG. 2; and,
FIG. 11 is an enlarged view of the watchband, shown in an alternate configuration of use.
The broken lines immediately adjacent to the shaded areas represent a claim boundary and form no part of the claimed design. The other broken lines showing a watch in FIG. 11 represent environmental subject matter only and form no part of the claimed design.

(56) **References Cited**

U.S. PATENT DOCUMENTS

D100,796 S * 8/1936 Sauer, Jr. D11/3
D103,831 S * 3/1937 Rossman D11/12
D104,099 S * 4/1937 Graef D11/3
D106,219 S * 9/1937 Sauer, Jr. D11/3
D107,264 S * 11/1937 Sand D11/12
D107,265 S * 11/1937 Sand D11/12
D108,896 S * 3/1938 Sand D11/12
D109,338 S * 4/1938 Prestinari D11/12
D491,828 S * 6/2004 Chang D11/3

1 Claim, 11 Drawing Sheets



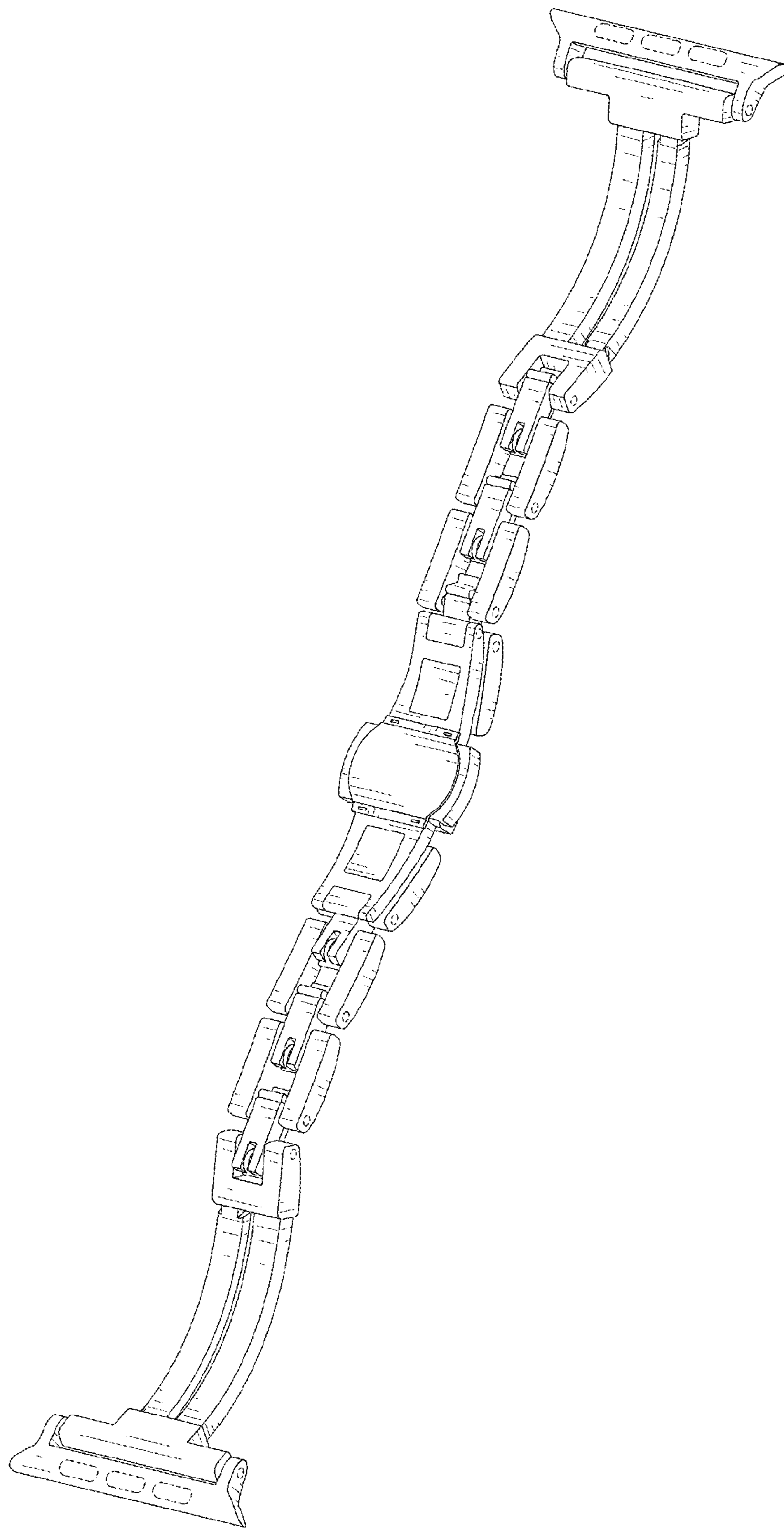


FIG. 1

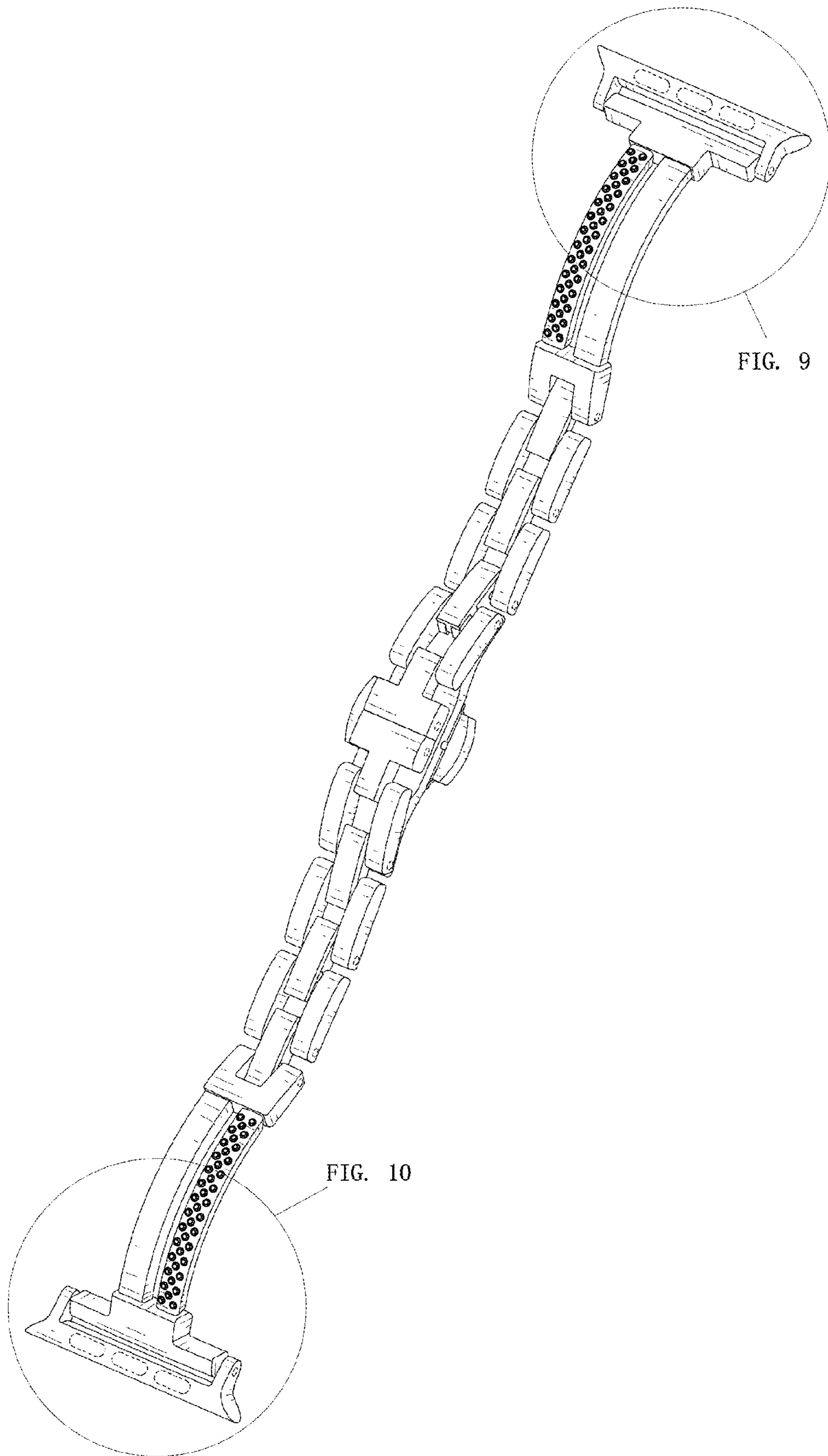


FIG. 2

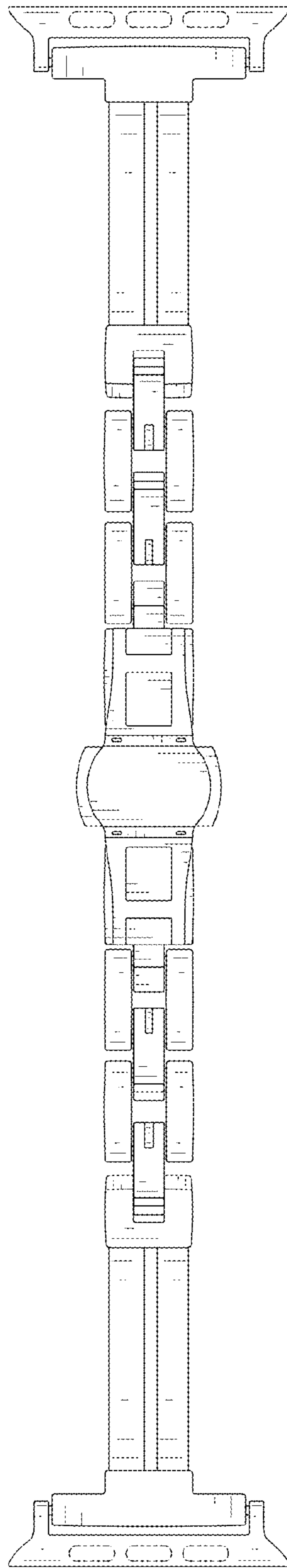


FIG. 3

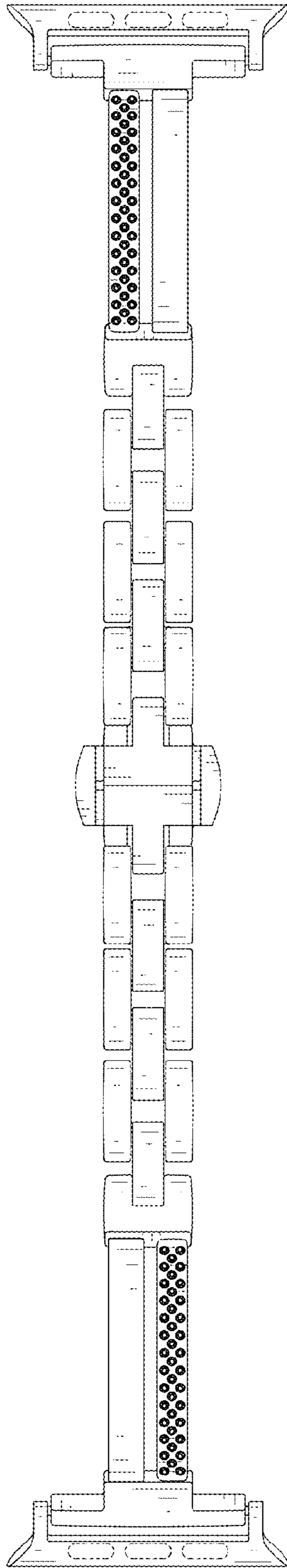


FIG. 4

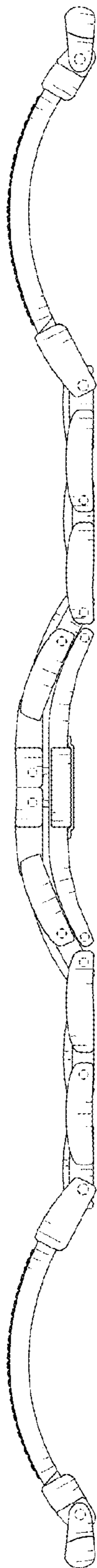


FIG. 5

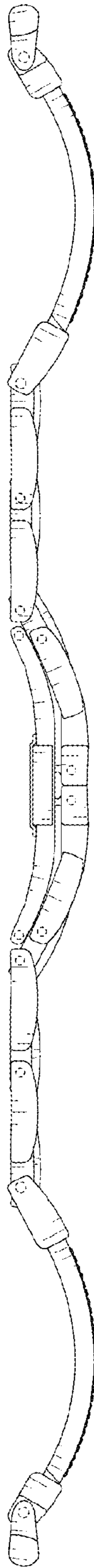


FIG. 6

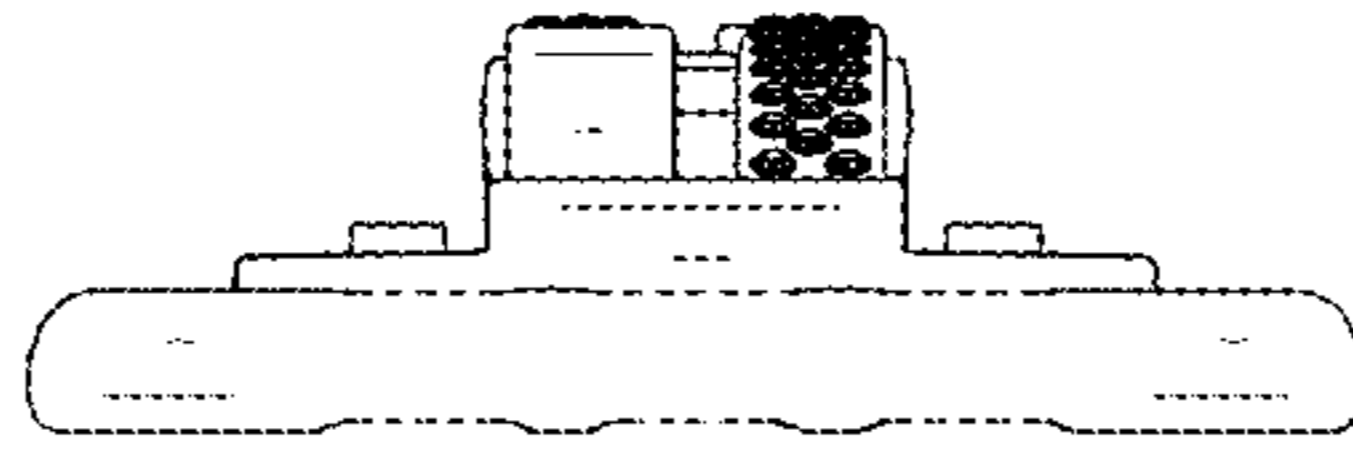


FIG. 7

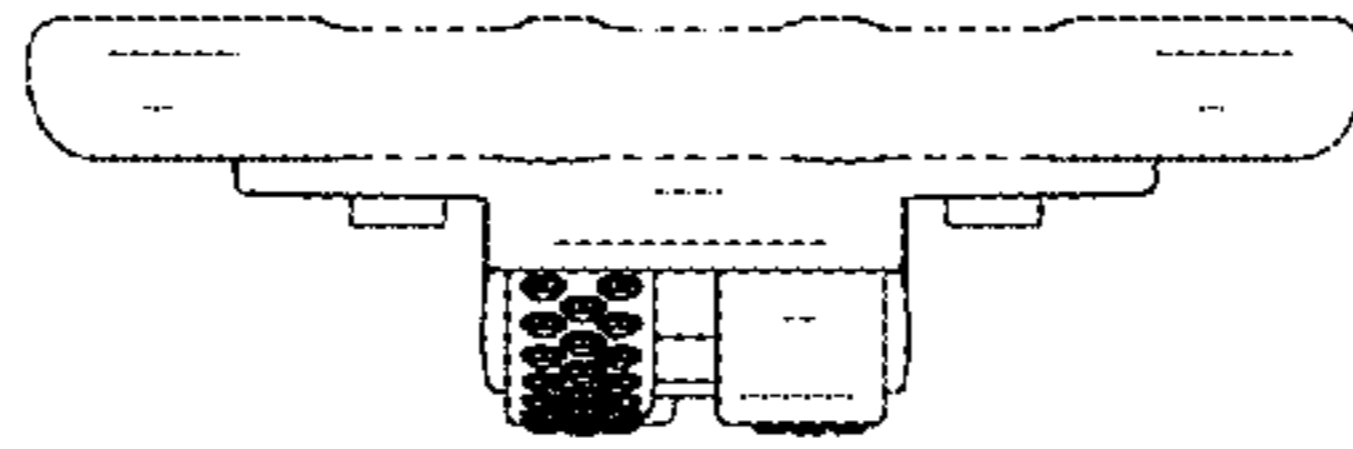


FIG. 8

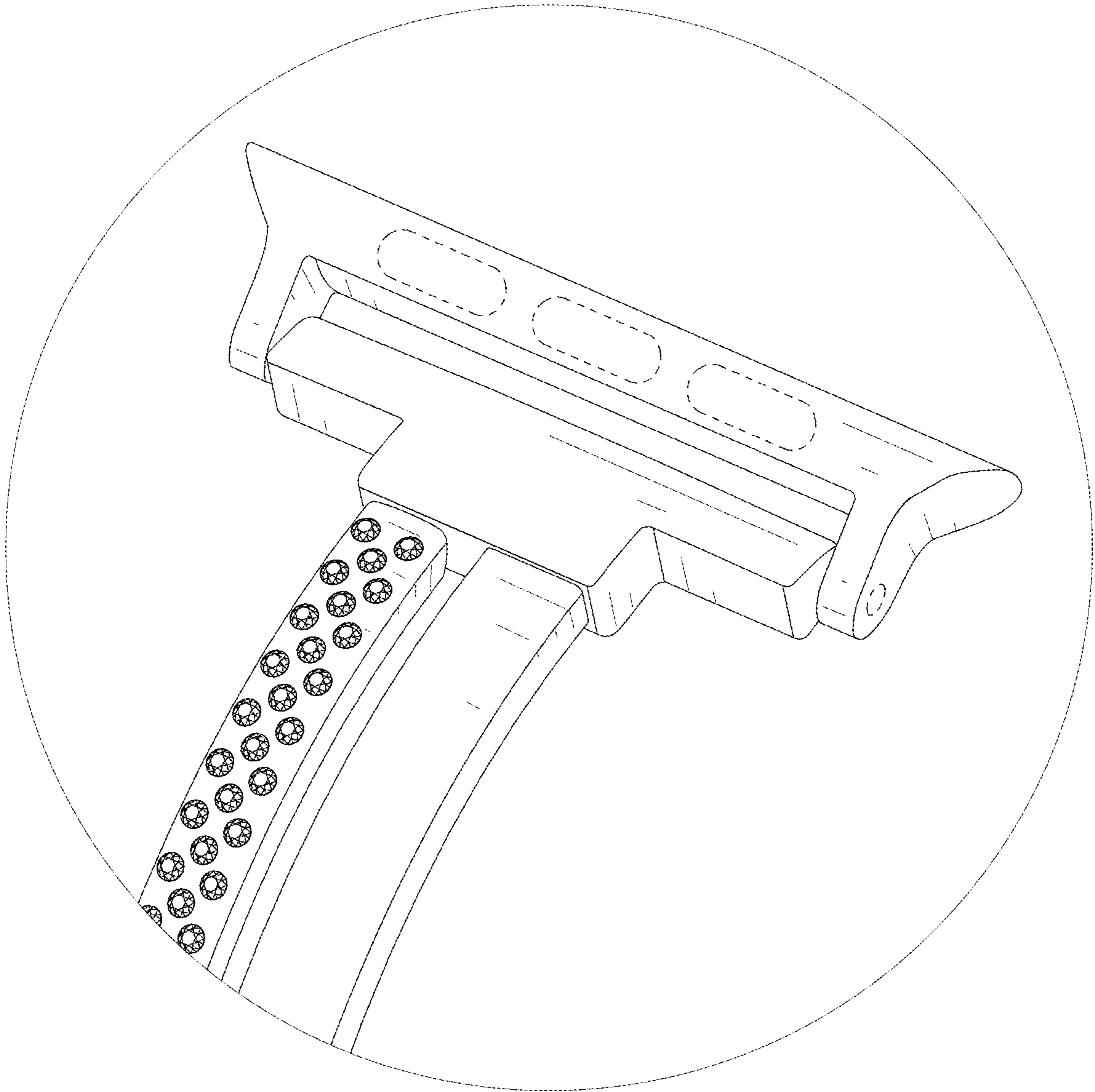


FIG. 9

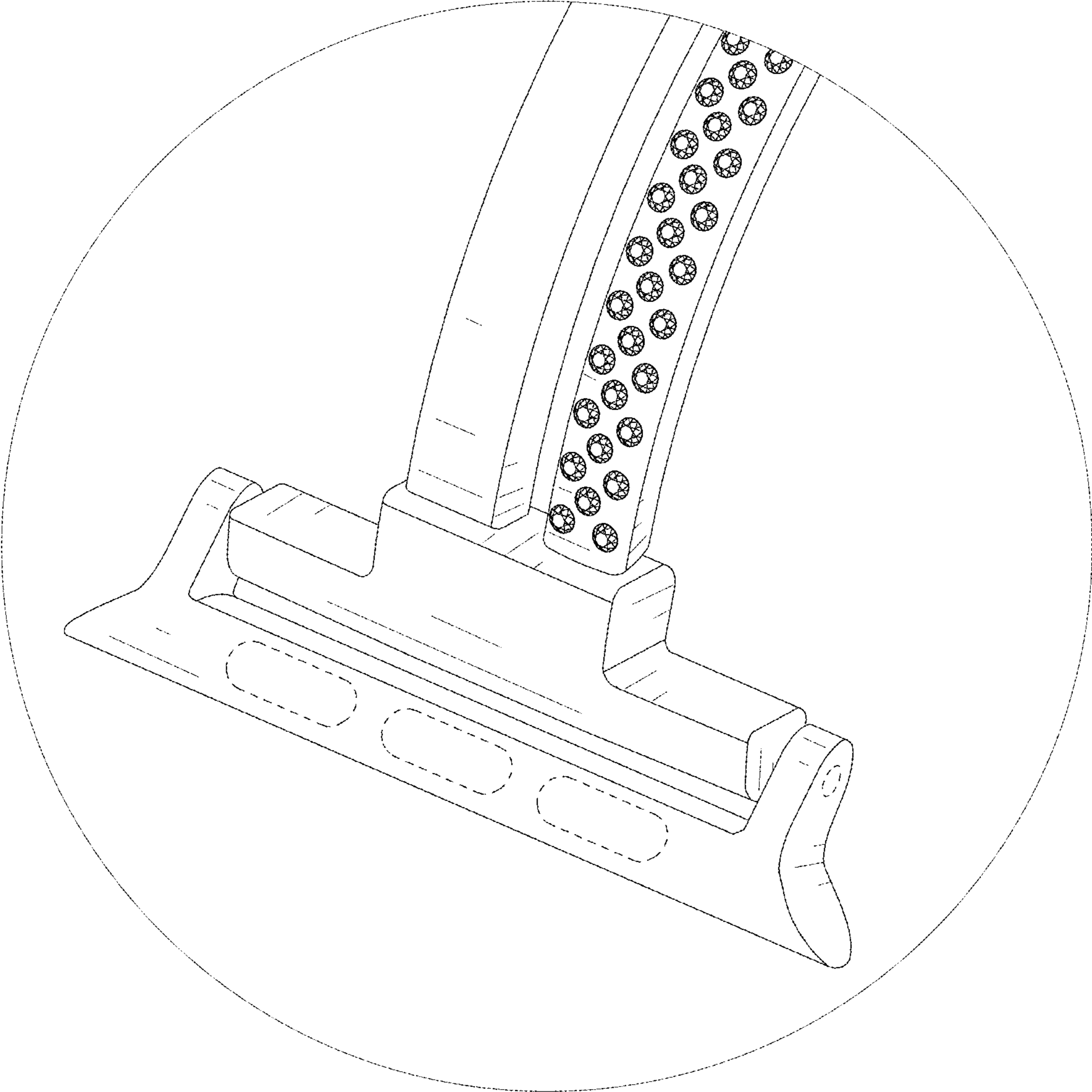


FIG. 10

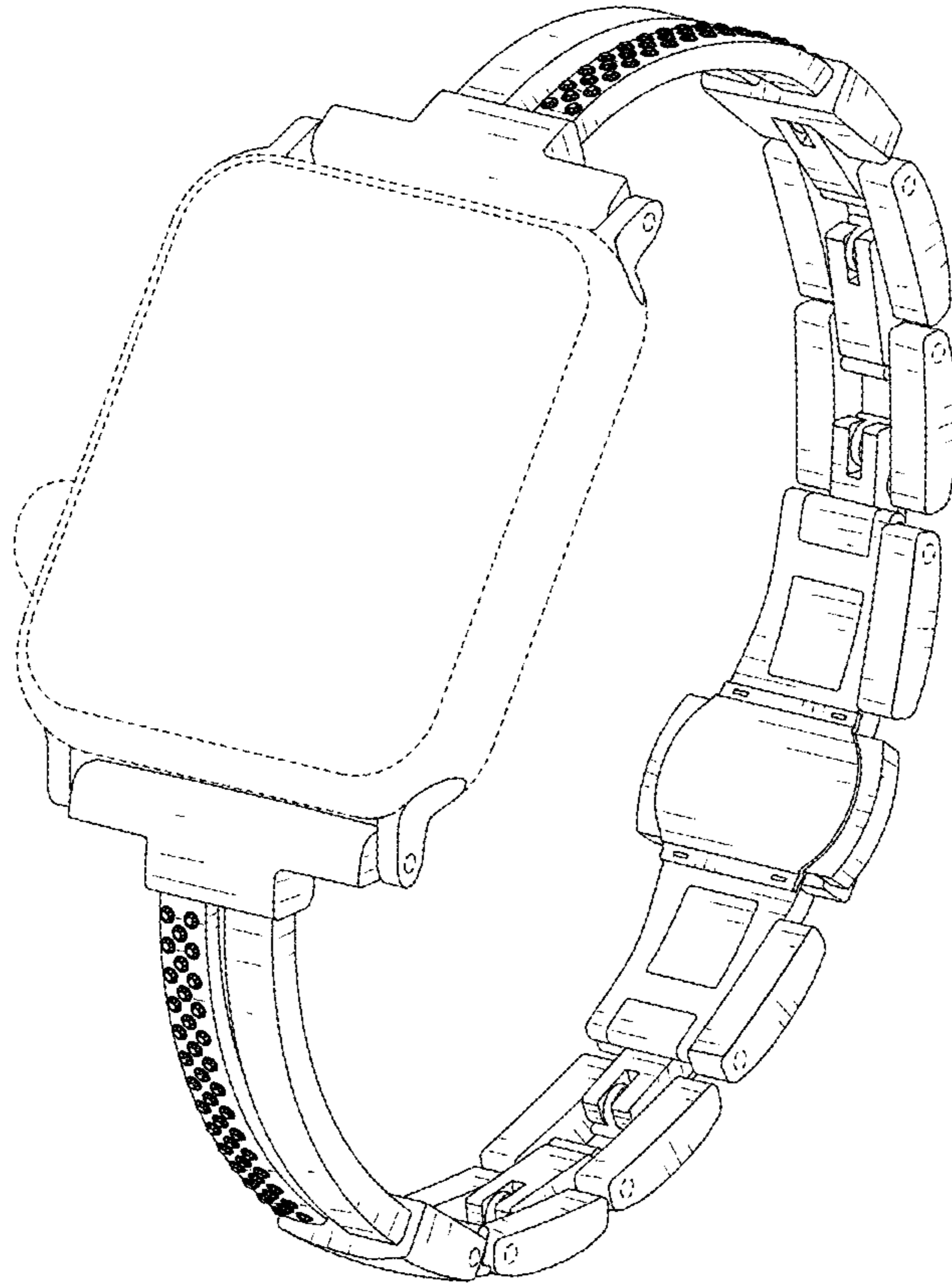


FIG. 11