



US00D920831S

(12) **United States Design Patent**  
**Laucella**

(10) **Patent No.:** **US D920,831 S**

(45) **Date of Patent:** **\*\* Jun. 1, 2021**

(54) **WATCH BRACELET**

(71) Applicant: **Montres Breguet Ltd, L'Abbaye (CH)**

(72) Inventor: **Vincent Laucella, Le Brassus (CH)**

(73) Assignee: **MONTRES BREGUET S.A.,  
L'Abbaye (CH)**

(\*\*) Term: **15 Years**

(21) Appl. No.: **29/702,885**

(22) Filed: **Aug. 22, 2019**

(30) **Foreign Application Priority Data**

Mar. 5, 2019 (WO) ..... DM/200989

(51) **LOC (13) Cl.** ..... **11-01**

(52) **U.S. Cl.**  
USPC ..... **D11/3**

(58) **Field of Classification Search**  
USPC ..... D11/1-5; D10/31, 32; D14/344;  
D24/167

CPC ..... A44C 5/00; A44C 5/0007; A44C 5/0015;  
A44C 5/0023; A44C 5/003; A44C  
5/0053; A44C 5/0084; A44C 15/0015

See application file for complete search history.

(56) **References Cited**

**U.S. PATENT DOCUMENTS**

D393,602 S \* 4/1998 Sang ..... D11/3  
D409,940 S \* 5/1999 Spandrio ..... D11/3

D617,662 S \* 6/2010 Monachon ..... D10/32  
D652,339 S \* 1/2012 Zander ..... D11/4  
D711,760 S \* 8/2014 Savoy ..... D11/3  
D711,761 S \* 8/2014 Savoy ..... D11/3  
D792,795 S \* 7/2017 Cerrato ..... D11/3  
D793,271 S \* 8/2017 Cerrato ..... D11/3  
D798,183 S \* 9/2017 Monachon ..... D11/3  
D799,361 S \* 10/2017 Monachon ..... D11/3  
D837,675 S \* 1/2019 Tibi ..... D11/3  
D842,157 S \* 3/2019 Liu ..... D11/3  
D885,956 S \* 6/2020 Laucella ..... D11/3

\* cited by examiner

*Primary Examiner* — Llorellys Martinez

(74) *Attorney, Agent, or Firm* — Abelman, Frayne & Schwab

(57) **CLAIM**

The ornamental design for a watch bracelet, as shown and described.

**DESCRIPTION**

FIG. 1 is a front view of a watch bracelet showing the new design;

FIG. 2 is a rear view thereof;

FIG. 3 is right side view thereof;

FIG. 4 is a left side view thereof;

FIG. 5 is a top view thereof;

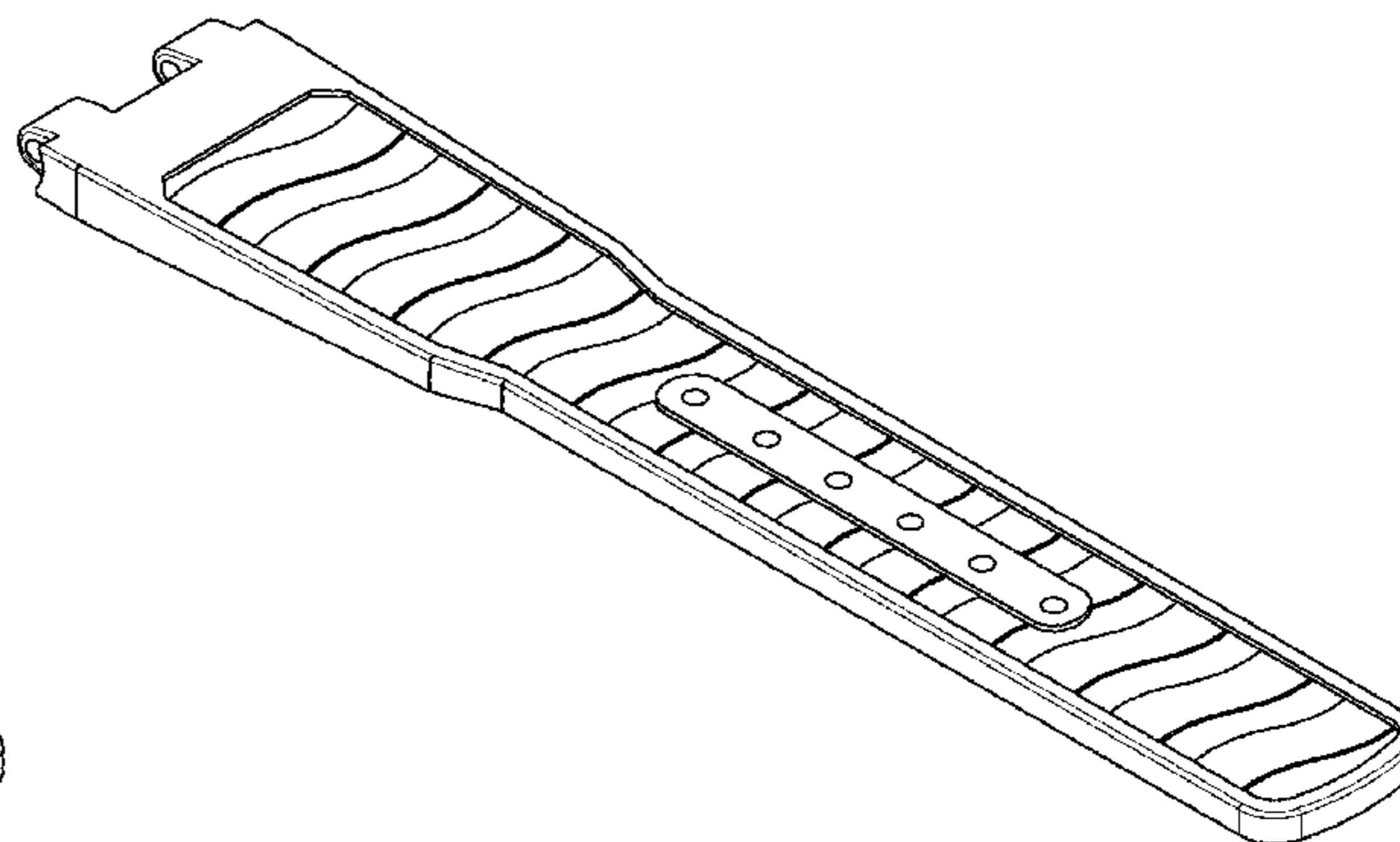
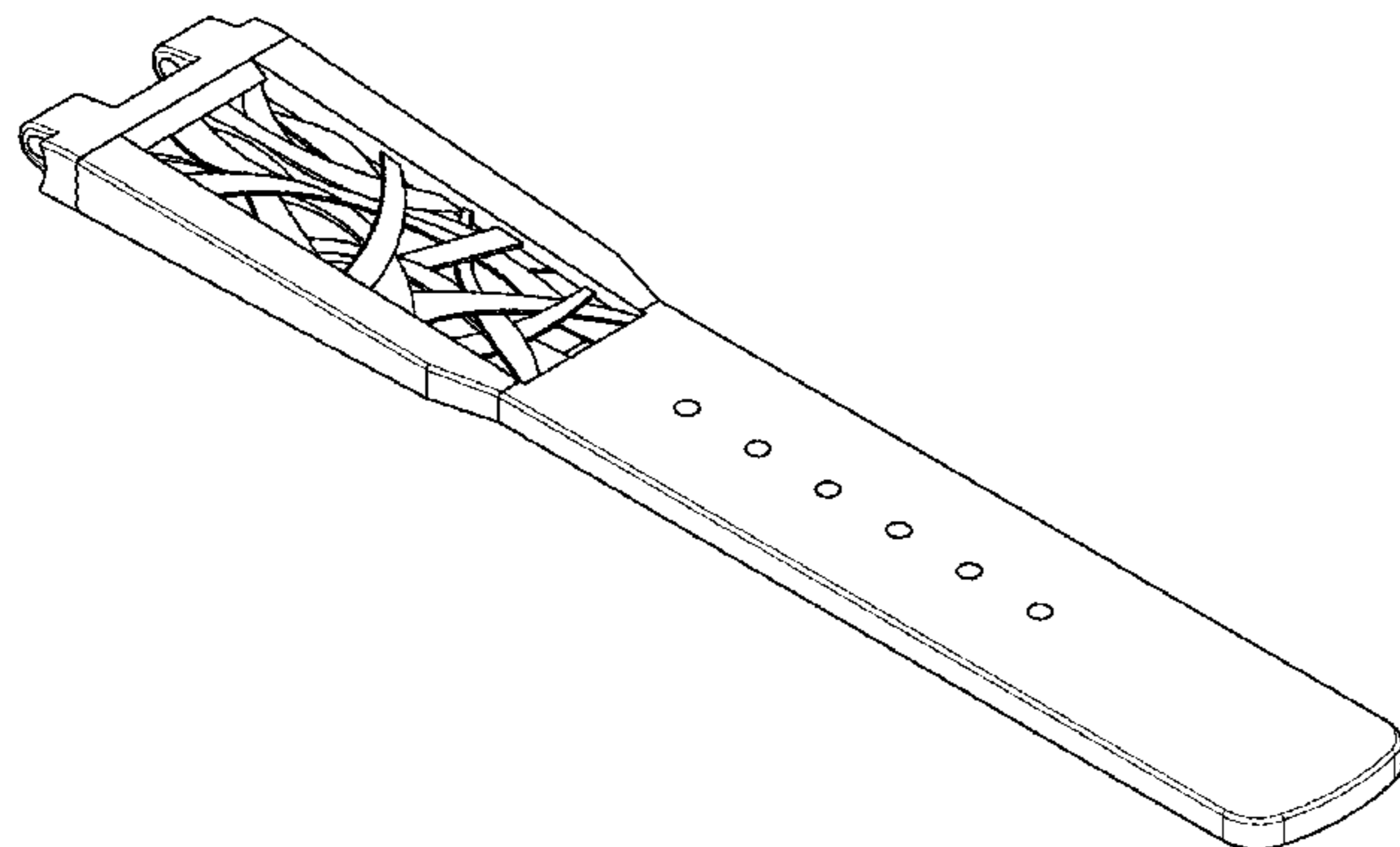
FIG. 6 is a bottom view thereof;

FIG. 7 is a front, right, and top perspective view thereof; and,

FIG. 8 is a rear, left, and top perspective view thereof.

The broken lines in the drawings illustrate portions of the watch bracelet that form no part of the claimed design.

**1 Claim, 3 Drawing Sheets**



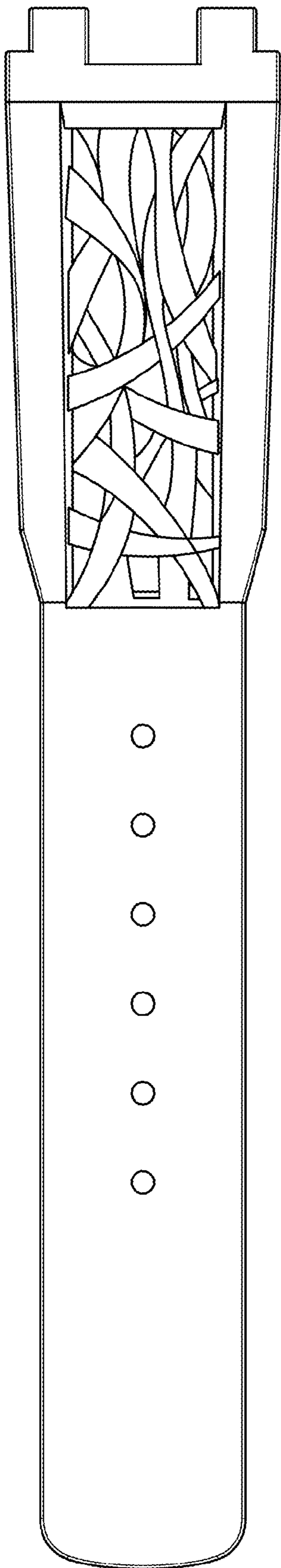


FIG. 1

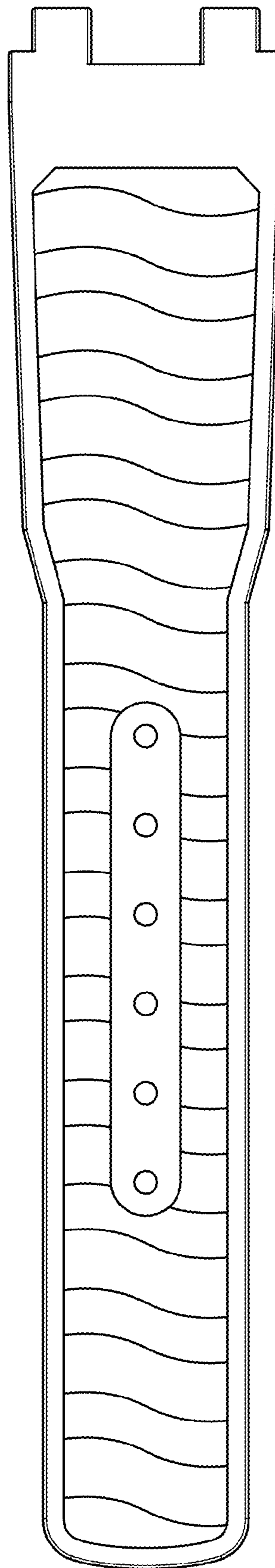


FIG. 2

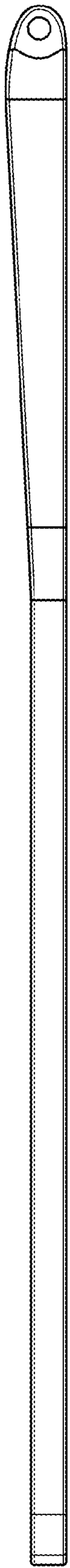


FIG. 3

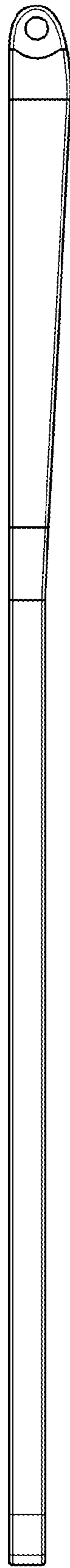


FIG. 4

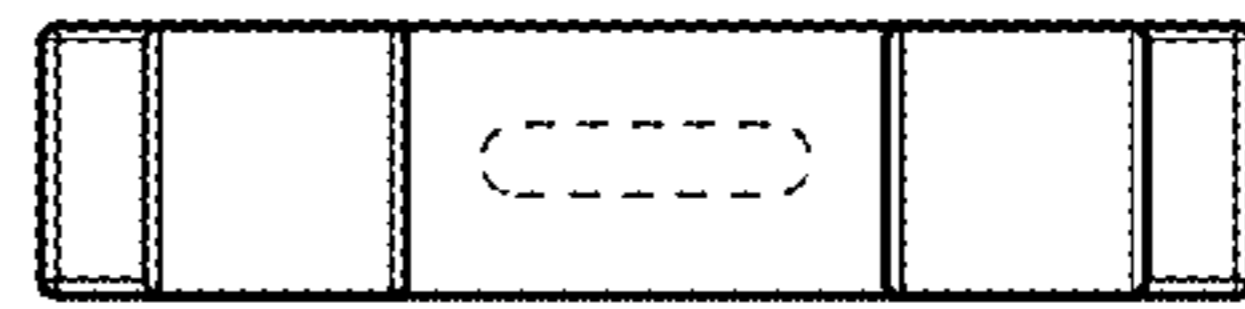


FIG. 5



FIG. 6

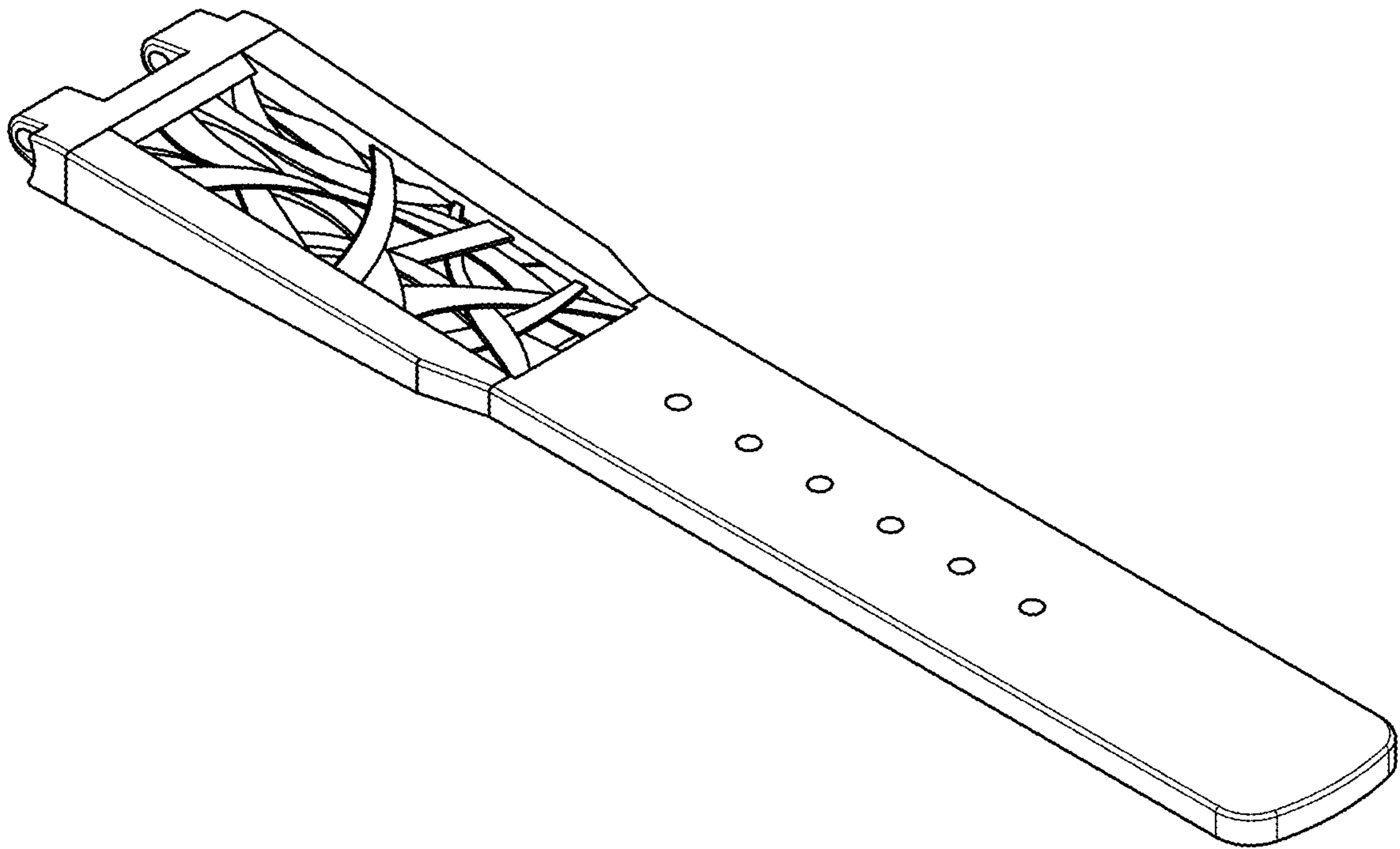


FIG. 7

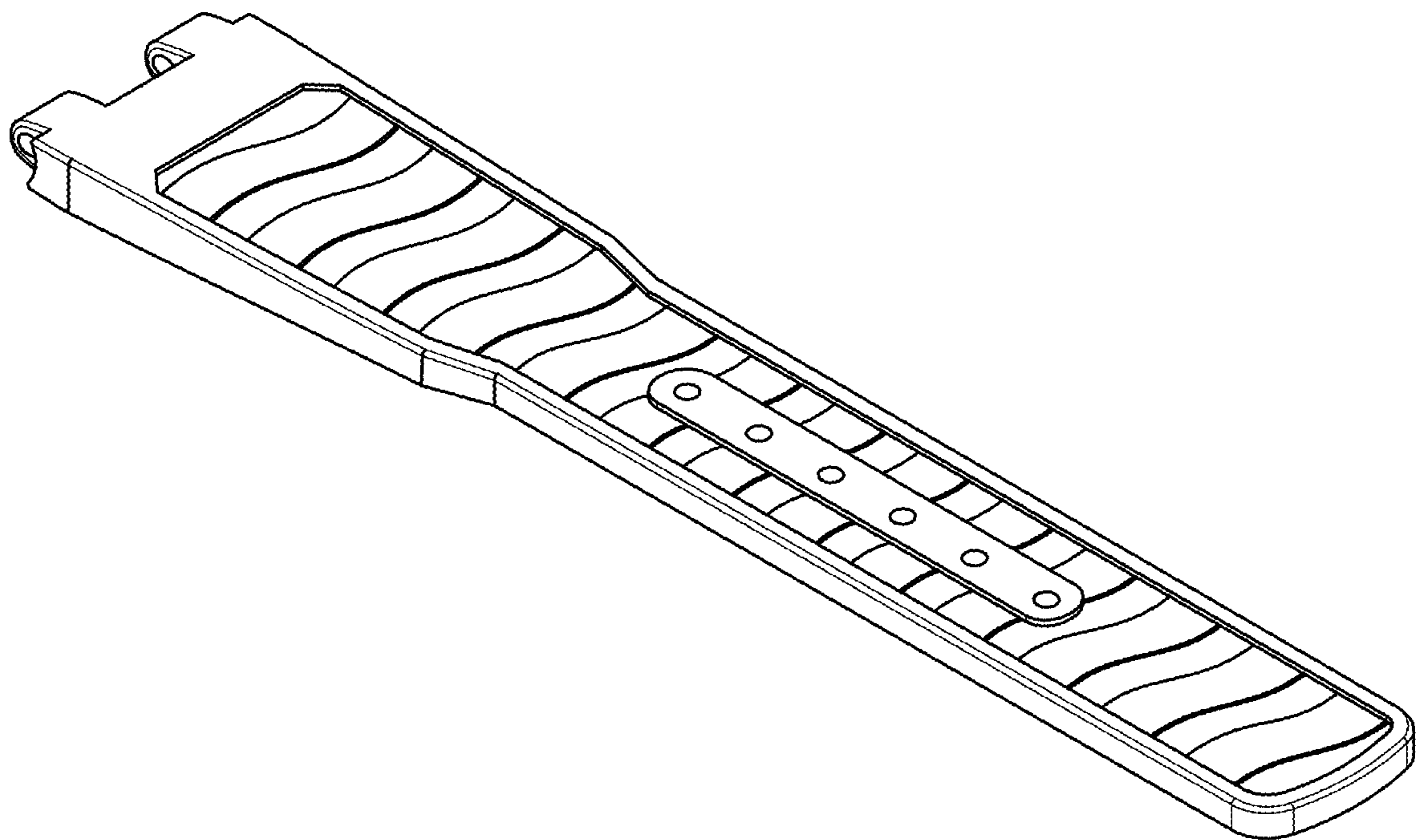


FIG. 8