



US00D920830S

(12) **United States Design Patent**
Chao et al.

(10) **Patent No.:** **US D920,830 S**
(45) **Date of Patent:** **** Jun. 1, 2021**

- (54) **WATCH BAND**
- (71) Applicants: **Zepp, Inc.**, Cupertino, CA (US); **Anhui Huami Information Technology Co., Ltd.**, Hefei (CN)
- (72) Inventors: **Wei Po Chao**, Mountain View, CA (US); **Xiaoyan Sun**, Anhui (CN)
- (73) Assignees: **Zepp, Inc.**, Cupertino, CA (US); **Anhui Huami Information Technology Co., Ltd.**, Anhui (CN)
- (**) Term: **15 Years**
- (21) Appl. No.: **29/698,376**
- (22) Filed: **Jul. 16, 2019**
- (51) **LOC (13) Cl.** **11-01**
- (52) **U.S. Cl.**
USPC **D11/3**
- (58) **Field of Classification Search**
USPC D11/1-5; D10/31, 32; D14/344;
D24/167
CPC A44C 5/00; A44C 5/0007; A44C 5/0015;
A44C 5/0023; A44C 5/003; A44C
5/0053; A44C 5/0069; A44C 5/0084;
A44C 5/14; A44C 5/147
See application file for complete search history.

- D804,967 S * 12/2017 Galli D10/32
- D836,466 S * 12/2018 Shi D10/32
- D860,034 S * 9/2019 Herz D11/3
- D861,529 S * 10/2019 Herz D11/3
- D862,276 S * 10/2019 Herz D11/3

(Continued)

Primary Examiner — Llorellys Martinez
(74) *Attorney, Agent, or Firm* — Young Basile Hanlon & MacFarlane, P.C.

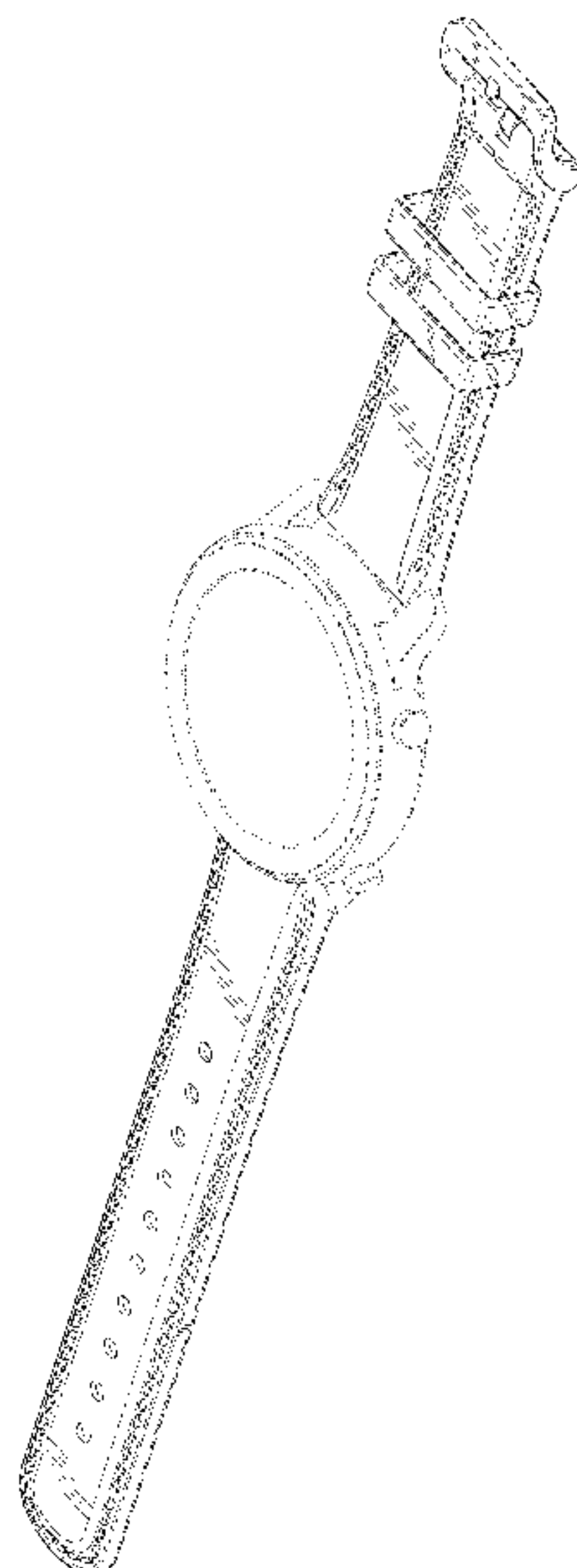
(57) **CLAIM**
The ornamental design for a watch band, as shown and described.

DESCRIPTION

FIG. 1 is a top, front, and right perspective view of a watch band showing our new design.
 FIG. 2 is a front view of the watch band of FIG. 1.
 FIG. 3 is a rear view of the watch band of FIG. 1.
 FIG. 4 is a left side view of the watch band of FIG. 1.
 FIG. 5 is a right side view of the watch band of FIG. 1.
 FIG. 6 is a top view of the watch band of FIG. 1.
 FIG. 7 is a bottom view of the watch band of FIG. 1.
 FIG. 8 is a top, front, and right perspective view of the watch band of FIGS. 1-7 in an alternate, fastened position.
 FIG. 9 is another top, front, and right perspective view of the watch band in FIG. 1.
 FIG. 10 is another front view of the watch band of FIG. 9.
 FIG. 11 is another rear view of the watch band of FIG. 9.
 FIG. 12 is another left side view of the watch band of FIG. 9.
 FIG. 13 is another right side view of the watch band of FIG. 9.
 FIG. 14 is another top view of the watch band of FIG. 9; and, FIG. 15 is another bottom view of the watch band of FIG. 9.
 The broken lines showing a watch in FIGS. 1-8 represent environmental subject matter only and form no part of the claimed design.

1 Claim, 9 Drawing Sheets

- (56) **References Cited**
U.S. PATENT DOCUMENTS
- D377,914 S * 2/1997 Riley D11/3
- D391,882 S * 3/1998 Roales D11/3
- D391,883 S * 3/1998 Close D11/3
- D469,030 S * 1/2003 Krakoff D11/5
- D712,754 S * 9/2014 Loth D10/32
- D738,250 S * 9/2015 Cerrato D11/3
- D740,152 S * 10/2015 Vaughan D11/3
- D802,467 S * 11/2017 Novak D11/3



(56)

References Cited

U.S. PATENT DOCUMENTS

D864,012 S * 10/2019 Chen D11/3
D874,298 S * 2/2020 Xie D10/32
D874,311 S * 2/2020 Connor D11/3
D879,645 S * 3/2020 Lin D11/3
D901,493 S * 11/2020 Gao D14/344

* cited by examiner

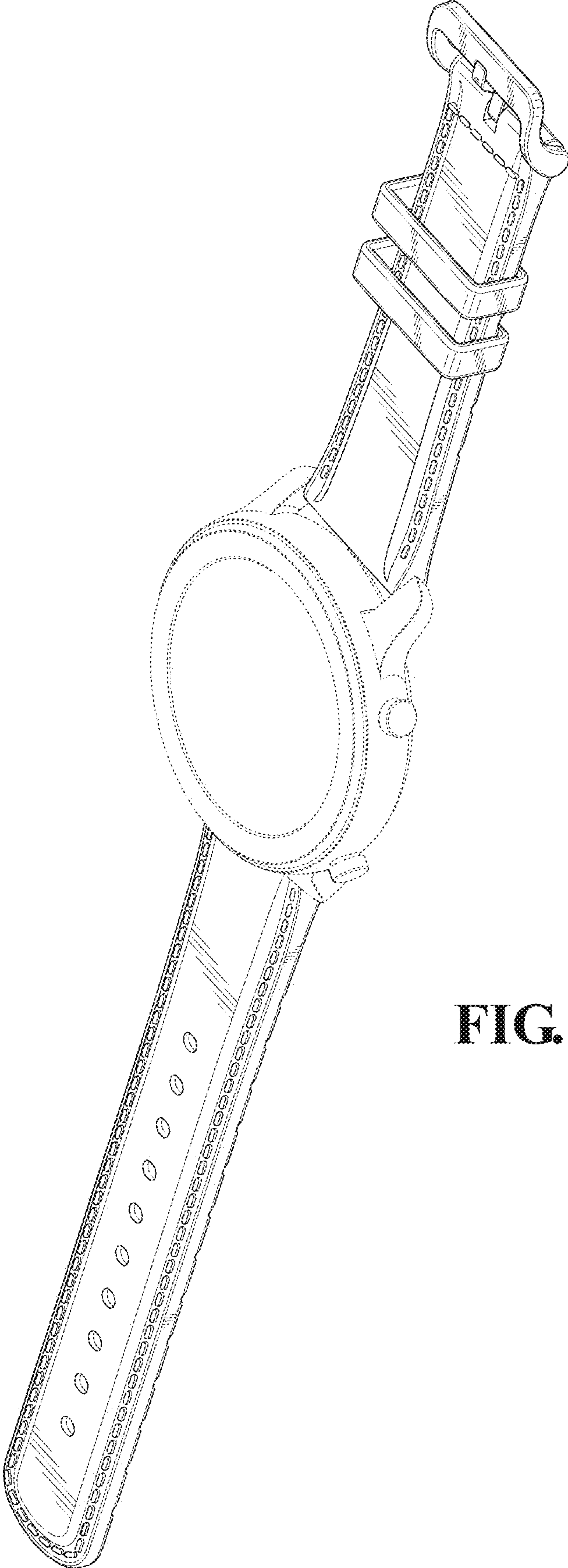


FIG. 1

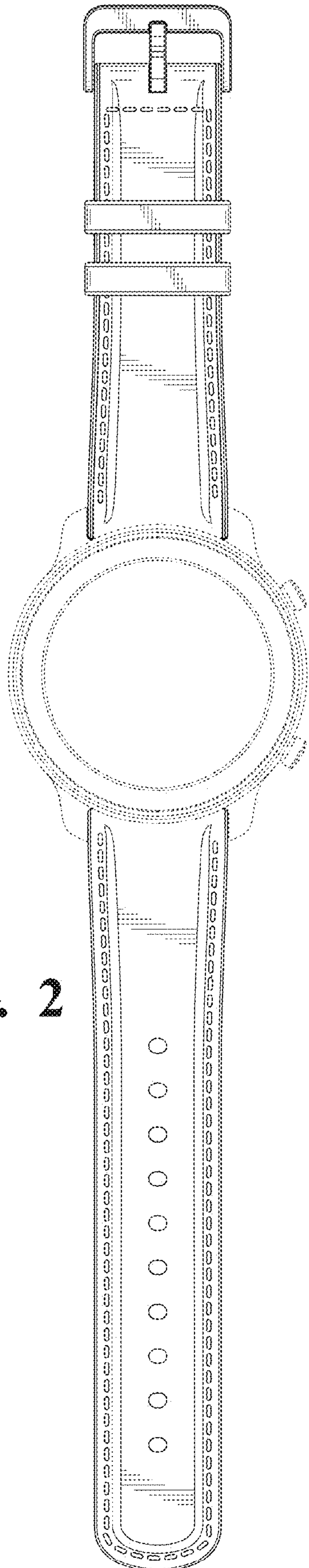


FIG. 2

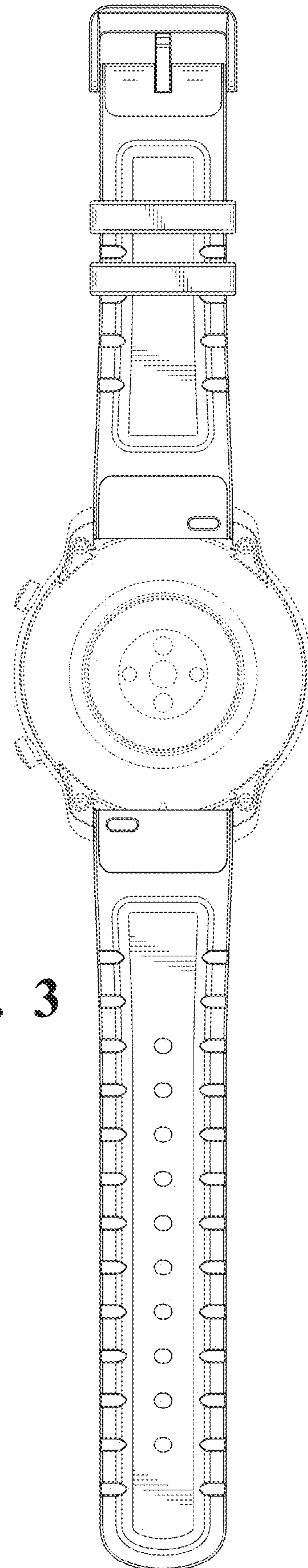


FIG. 3

FIG. 4



FIG. 5



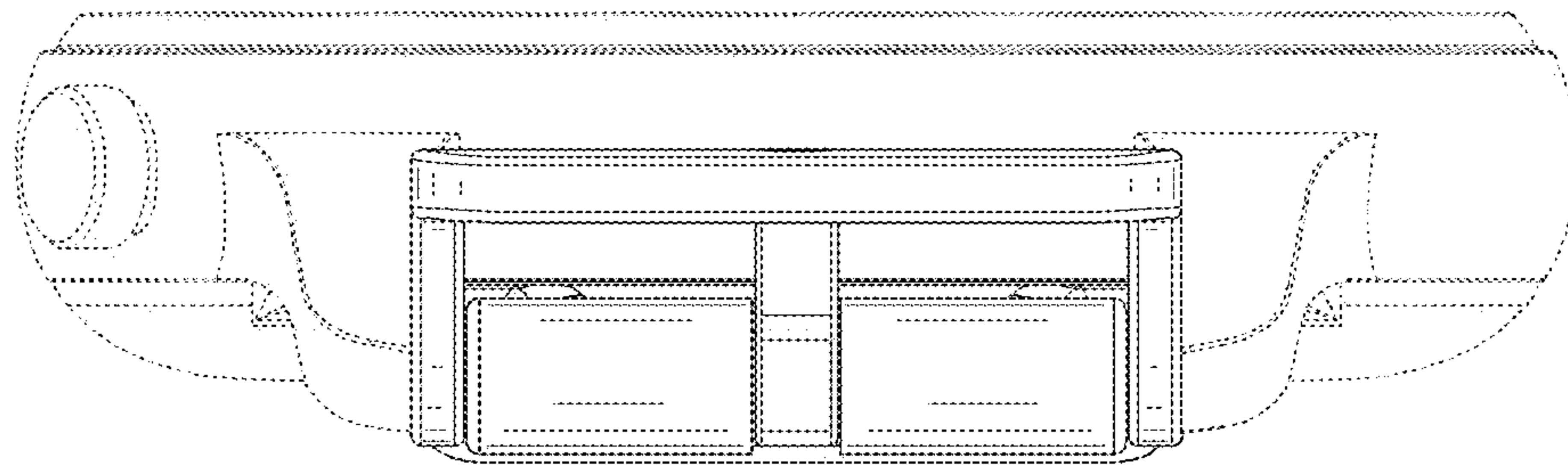


FIG. 6

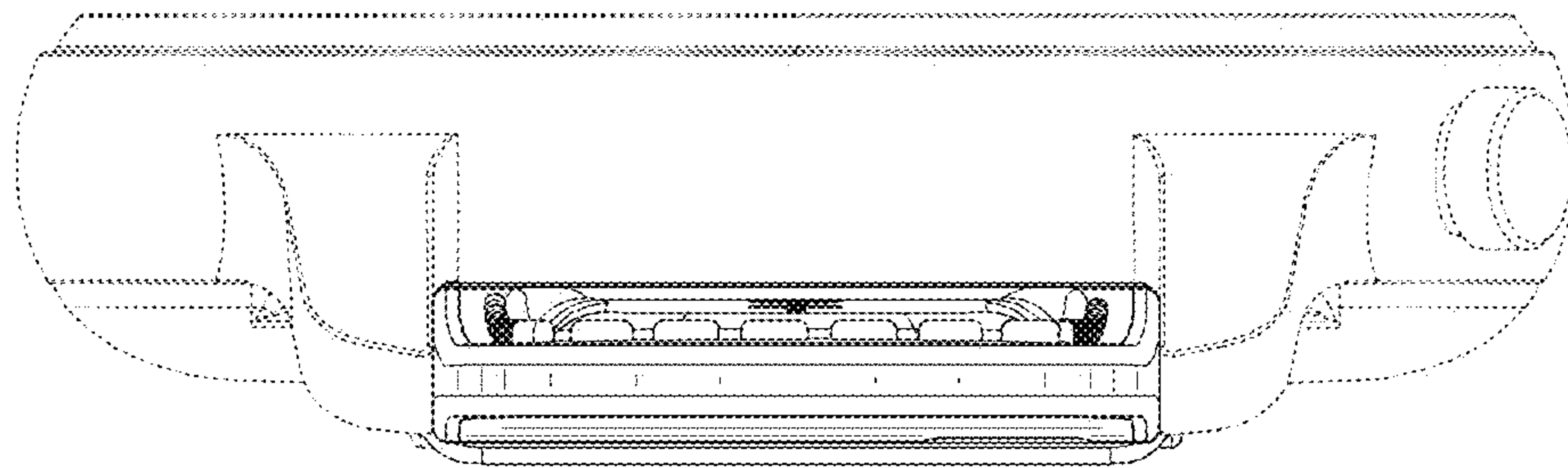


FIG. 7

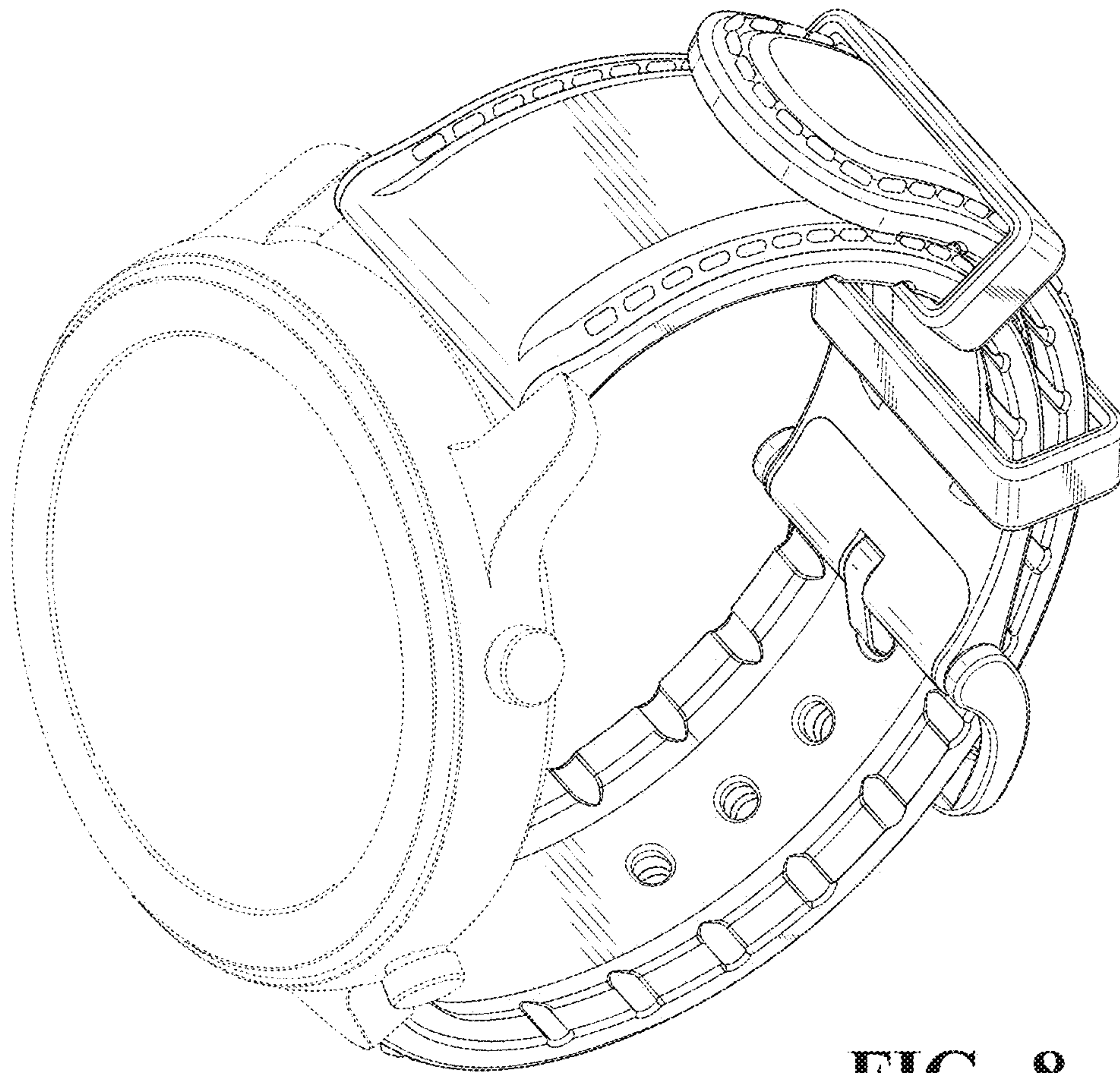


FIG. 8

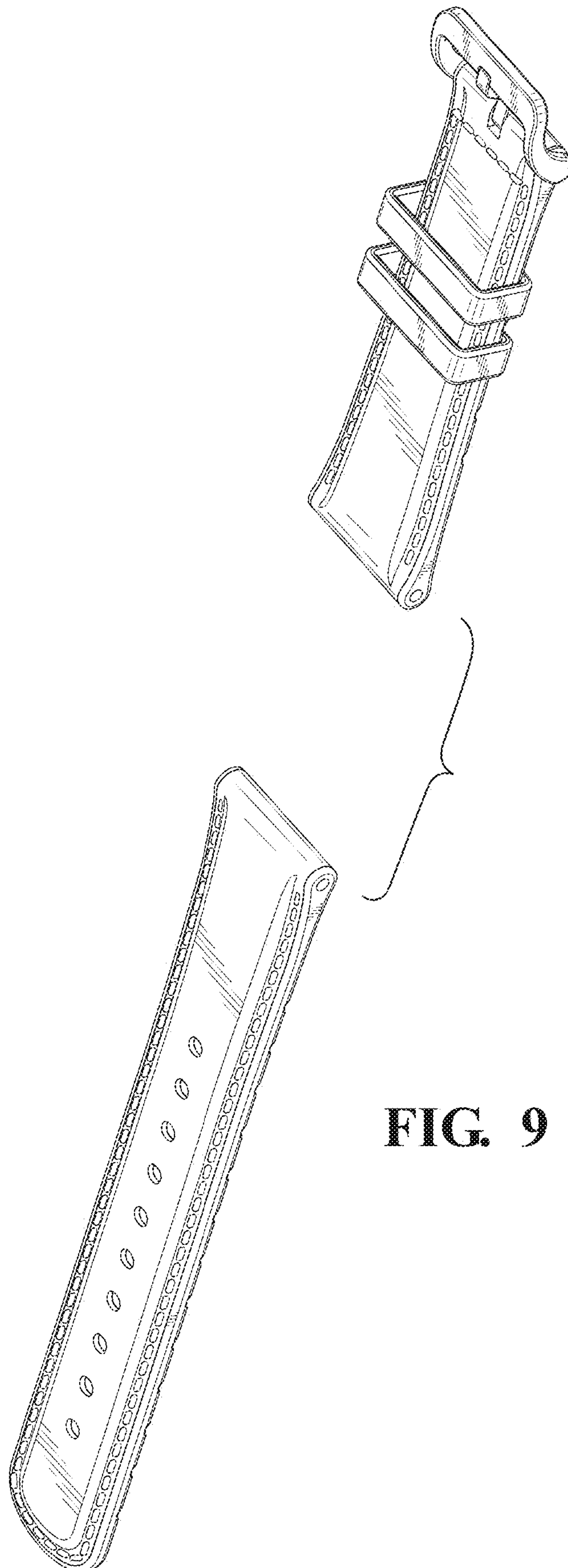


FIG. 9

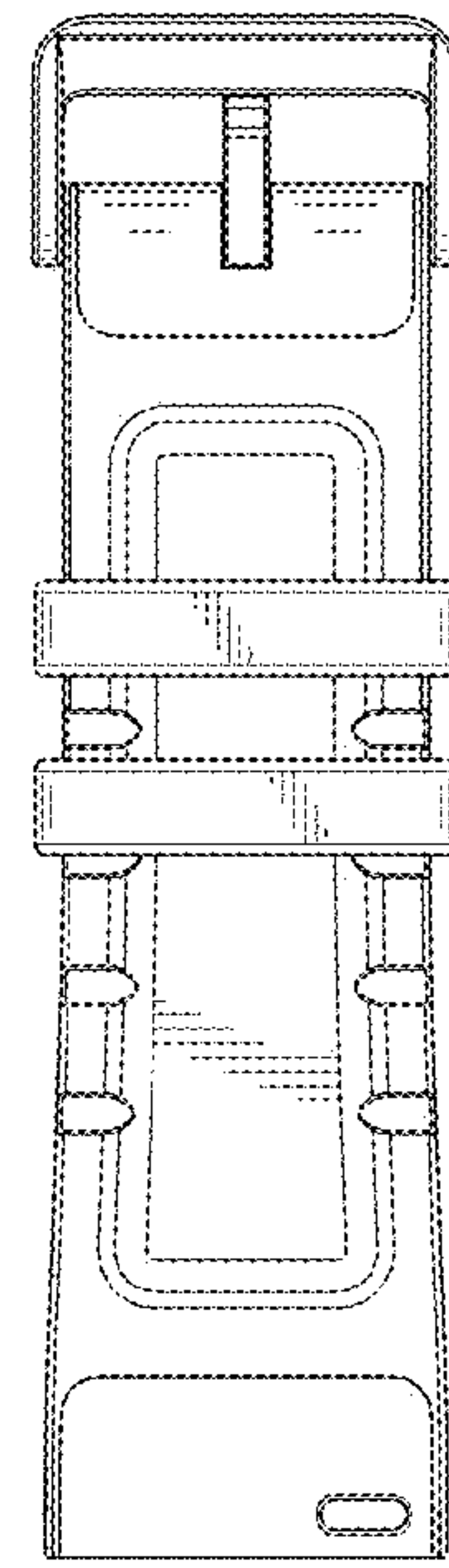
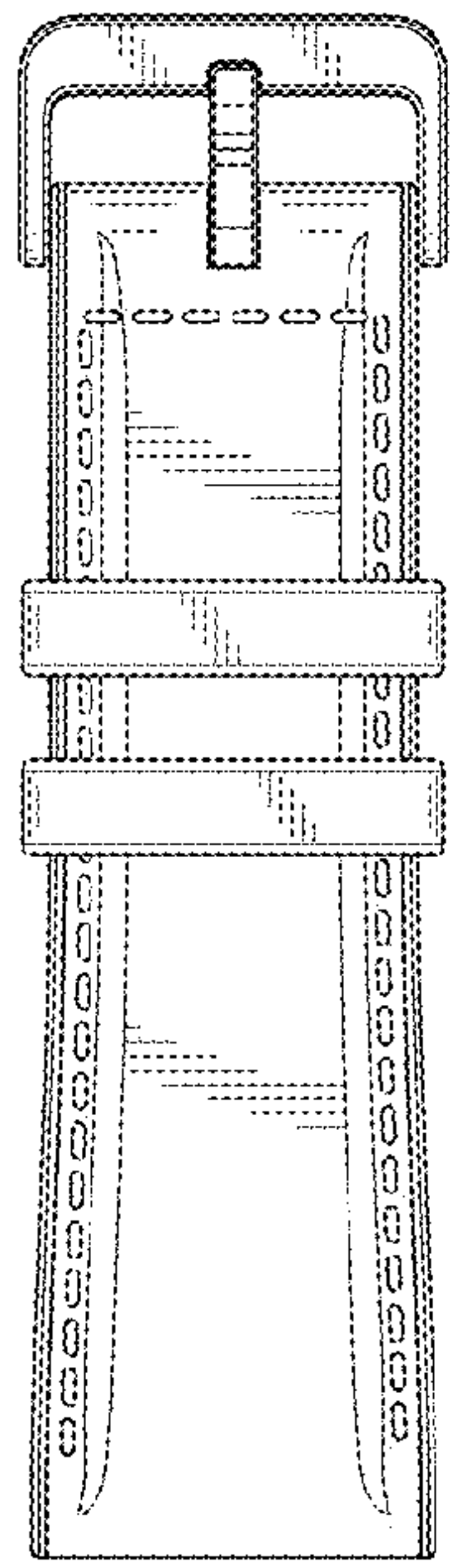


FIG. 10

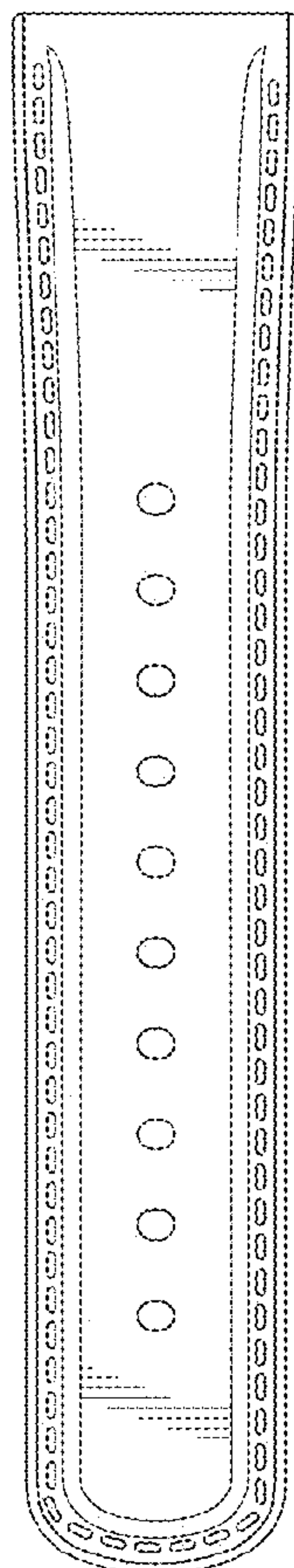
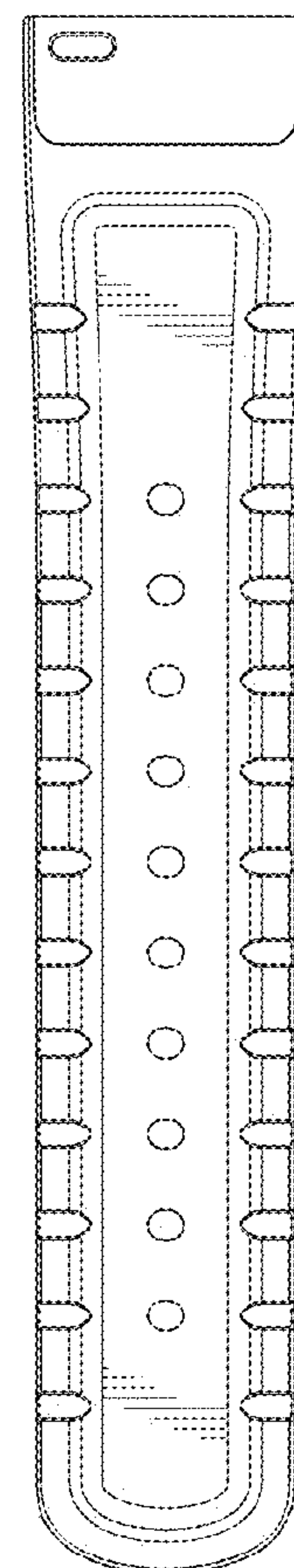


FIG. 11



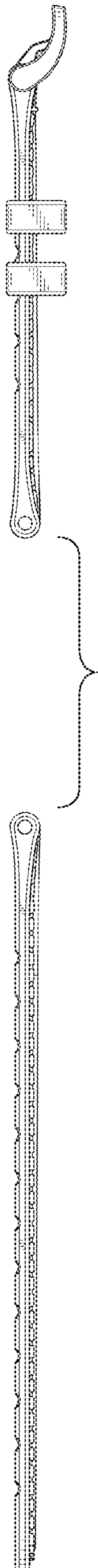


FIG. 12

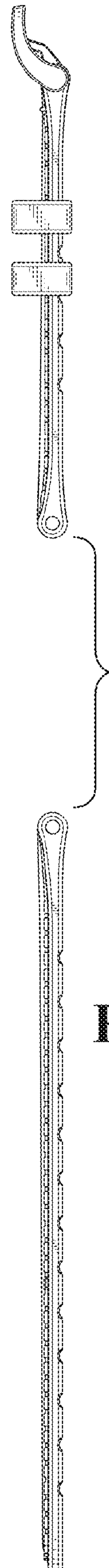


FIG. 13

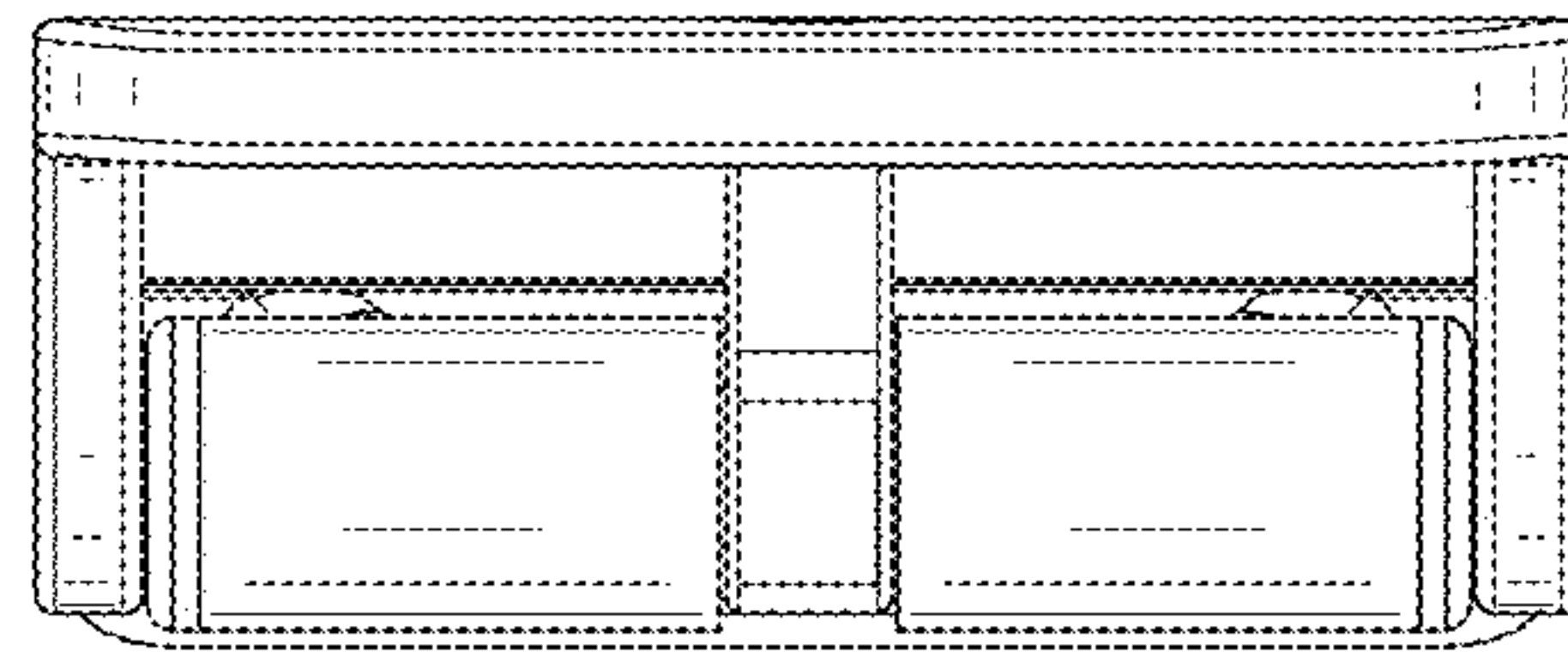


FIG. 14

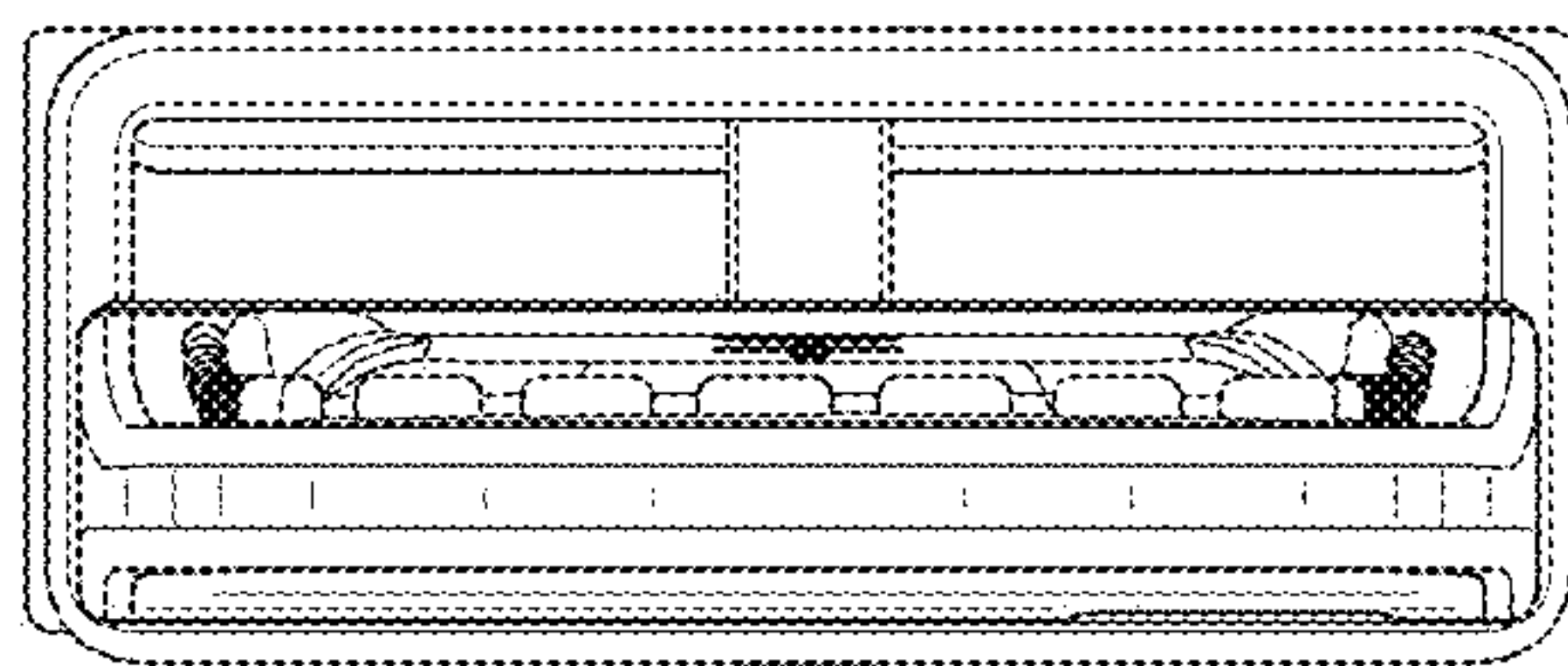


FIG. 15