



US00D920828S

(12) **United States Design Patent**
Behling

(10) **Patent No.:** **US D920,828 S**

(45) **Date of Patent:** **** Jun. 1, 2021**

(54) **WATCH DIAL**

(71) Applicant: **LVMH Swiss Manufactures SA**, La
Chaux-de-Fonds (CH)

(72) Inventor: **Christoph Behling**, London (GB)

(**) Term: **15 Years**

(21) Appl. No.: **35/509,109**

(22) Filed: **Sep. 13, 2019**

(80) **Hague Agreement Data**

Int. Filing Date: **Sep. 13, 2019**

Int. Reg. No.: **DM/207073**

Int. Reg. Date: **Sep. 13, 2019**

Int. Reg. Pub. Date: **Apr. 17, 2020**

(30) **Foreign Application Priority Data**

Mar. 14, 2019 (CH) 144576

(51) **LOC (13) Cl.** **10-07**

(52) **U.S. Cl.**
USPC **D10/126**

(58) **Field of Classification Search**

USPC D10/39, 126
See application file for complete search history.

(56) **References Cited**

U.S. PATENT DOCUMENTS

D614,523 S * 4/2010 Rabassa D10/126
D847,665 S * 5/2019 Behling D10/39

D858,316 S * 9/2019 Behling D10/39
D874,308 S * 2/2020 Charrier D10/126
D879,641 S * 3/2020 Behling D10/126
D883,810 S * 5/2020 Duval D10/39

* cited by examiner

Primary Examiner — George D. Kirschbaum

(57) **CLAIM**

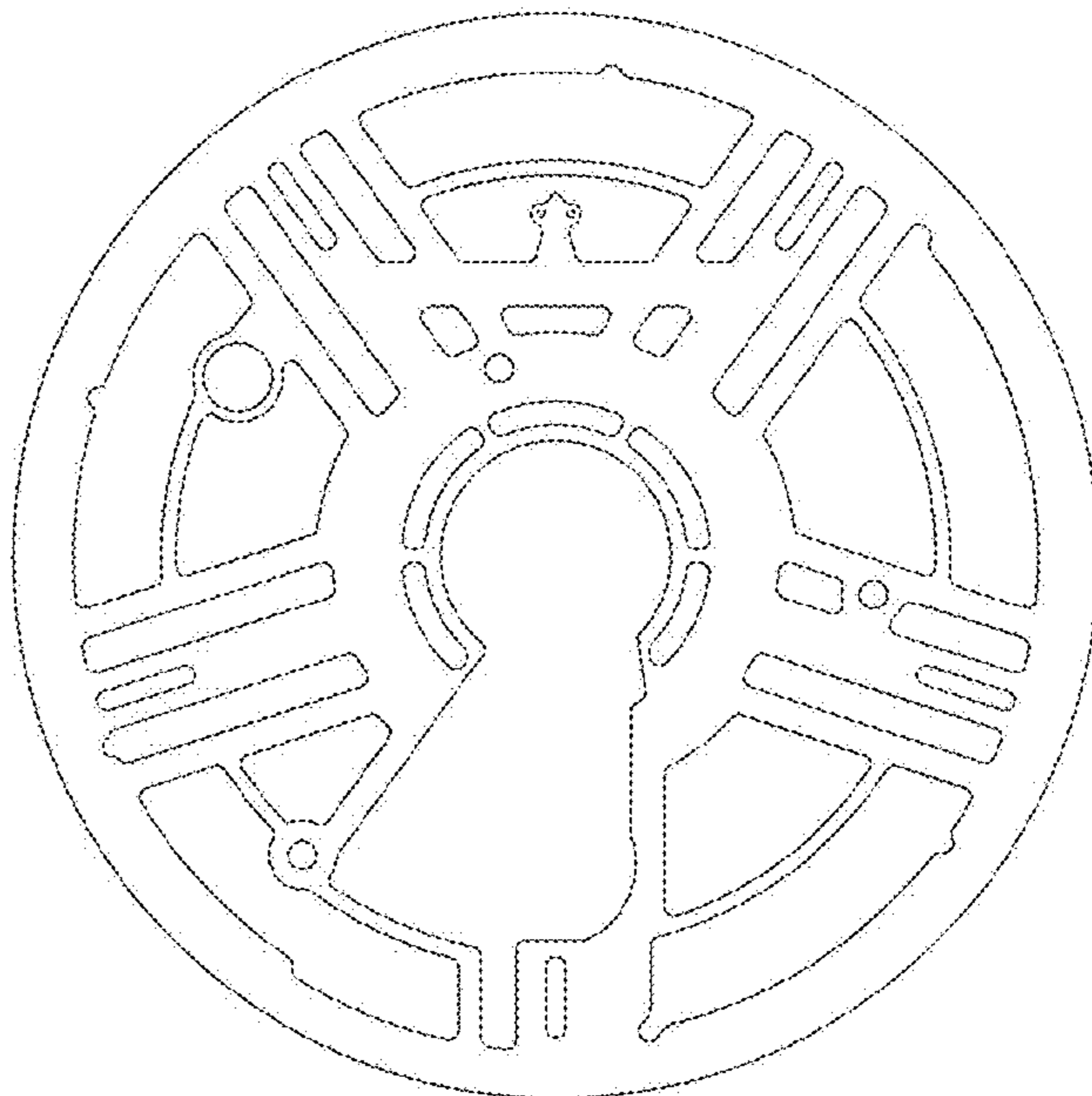
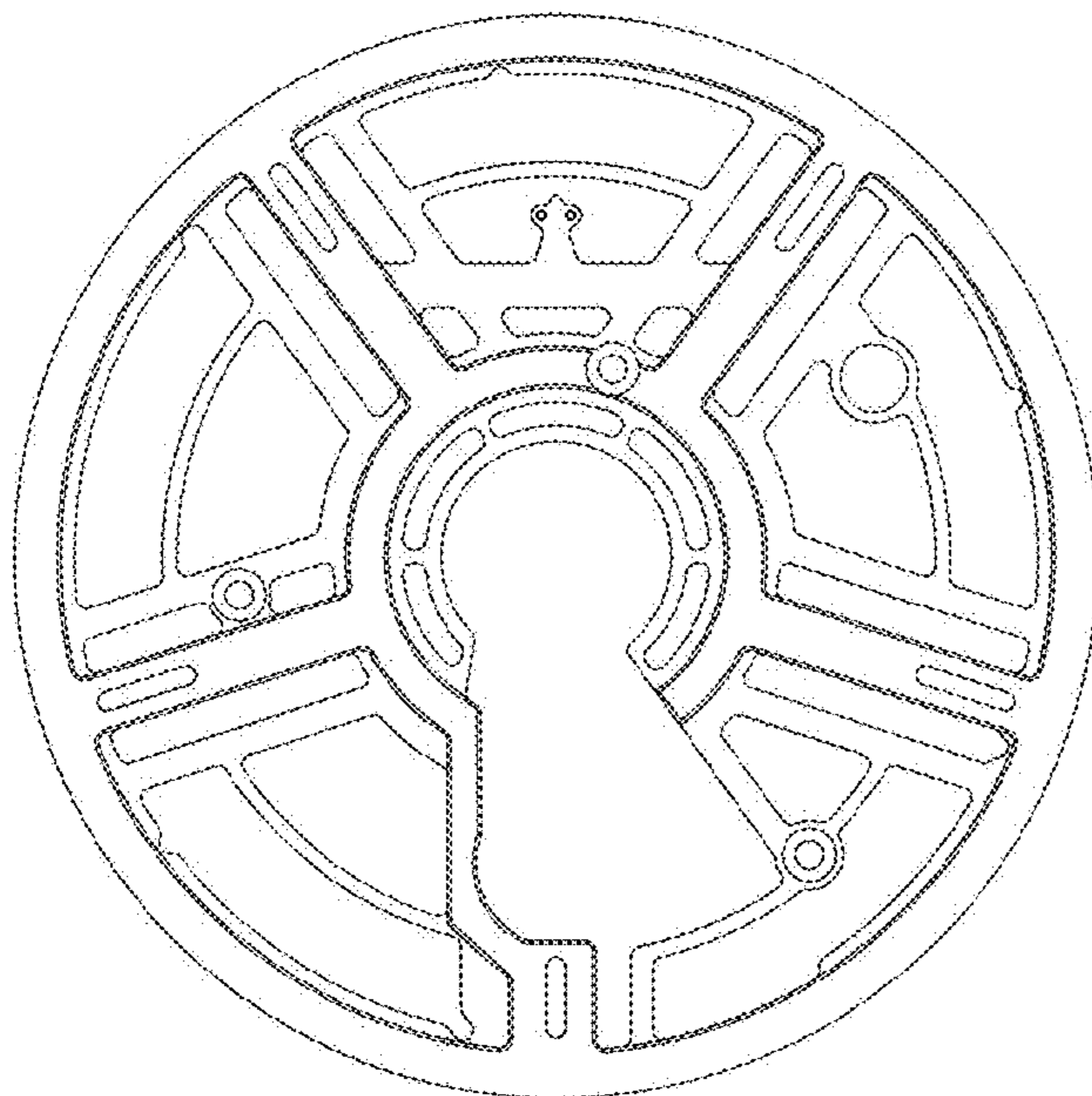
The ornamental design for watch dial, as shown and described.

DESCRIPTION

- 1. Watch dial
- 1.1 : Front
- 1.2 : Back
- 1.3 : Perspective
- 1.4 : Right
- 1.5 : Left
- 1.6 : Bottom
- 1.7 : Top

Reproduction 1.1 is a front view of the watch dial; reproduction 1.2 is a back view of the watch dial; reproduction 1.3 is a perspective view of the watch dial; reproduction 1.4 is a right side view of the watch dial; reproduction 1.5 is a left side view of the watch dial; reproduction 1.6 is a bottom view of the watch dial; reproduction 1.7 is a top view of the watch dial.

1 Claim, 7 Drawing Sheets



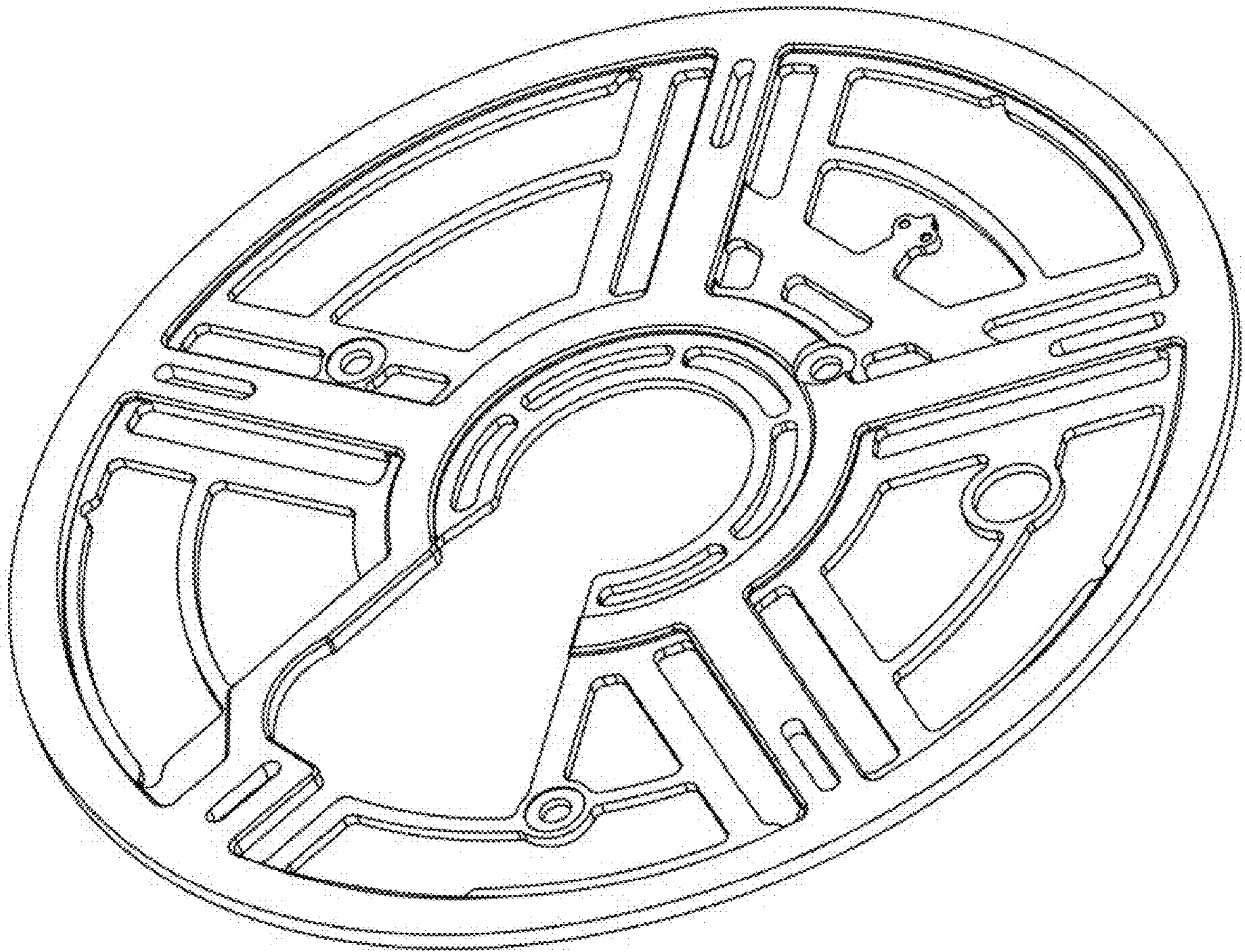
1.1



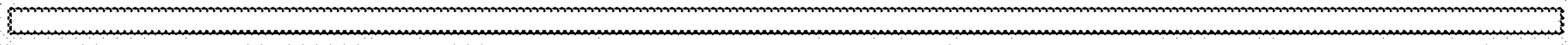
1.2



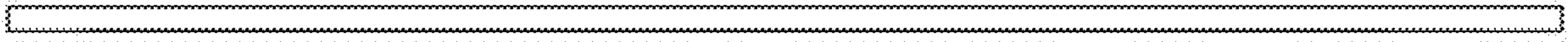
1.3



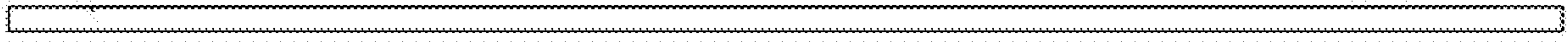
1.4



1.5



1.6



1.7

