



US00D920826S

(12) **United States Design Patent**
O'Bryant

(10) **Patent No.:** **US D920,826 S**

(45) **Date of Patent:** **** Jun. 1, 2021**

(54) **TURKEY CALL**

(71) Applicant: **Robert O'Bryant**, Gravelly, AR (US)

(72) Inventor: **Robert O'Bryant**, Gravelly, AR (US)

(73) Assignee: **Obe's Game Calls, LLC**, Gravelly, AR (US)

(**) Term: **15 Years**

(21) Appl. No.: **29/754,211**

(22) Filed: **Oct. 7, 2020**

(51) **LOC (13) Cl.** **10-05**

(52) **U.S. Cl.**
USPC **D10/109.1**

(58) **Field of Classification Search**
USPC D10/119.1
CPC A01M 31/004
See application file for complete search history.

(56) **References Cited**

U.S. PATENT DOCUMENTS

4,606,733	A	6/1986	Willis	
4,662,858	A	5/1987	Hall	
4,941,858	A	7/1990	Adams	
5,846,119	A	12/1998	Long	
6,045,429	A *	4/2000	Marino	A01M 31/004 446/207
6,676,479	B1	1/2004	Zimmerman	
D553,532	S *	10/2007	Wright	D10/119.1

D741,210	S *	10/2015	Wagner	D10/119.1
9,775,338	B2 *	10/2017	Patton	A01M 31/004
10,448,629	B2 *	10/2019	Koch	A01M 31/004
2006/0040583	A1	2/2006	Thompson	

* cited by examiner

Primary Examiner — George D. Kirschbaum

(74) *Attorney, Agent, or Firm* — Rashauna Norment

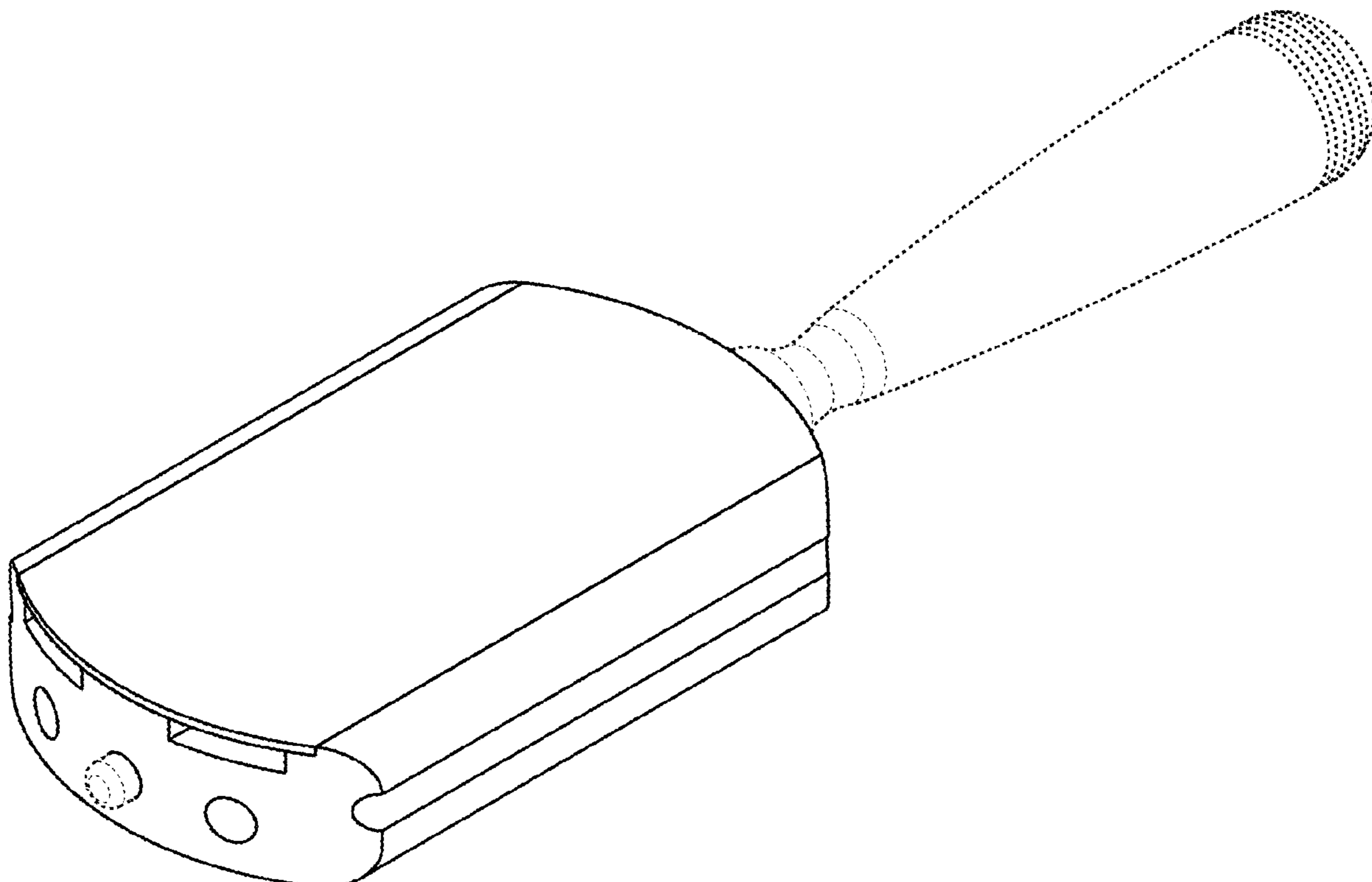
(57) **CLAIM**

The ornamental design for a turkey call, as shown and described.

DESCRIPTION

FIG. 1. is a perspective view of a turkey call in a closed configuration, showing my new design;
FIG. 2. is another perspective view of FIG. 1;
FIG. 3. is a front elevation view of FIG. 1;
FIG. 4. is a rear elevation view of FIG. 1;
FIG. 5. is a top plan view of FIG. 1;
FIG. 6. is a bottom plan view of FIG. 1;
FIG. 7. is a left side elevation view of FIG. 1; and,
FIG. 8. is a right side elevation view of FIG. 1.
The broken line showing is included for the purpose of illustrating portions of the "article" and forms no part of the claimed design.

1 Claim, 8 Drawing Sheets



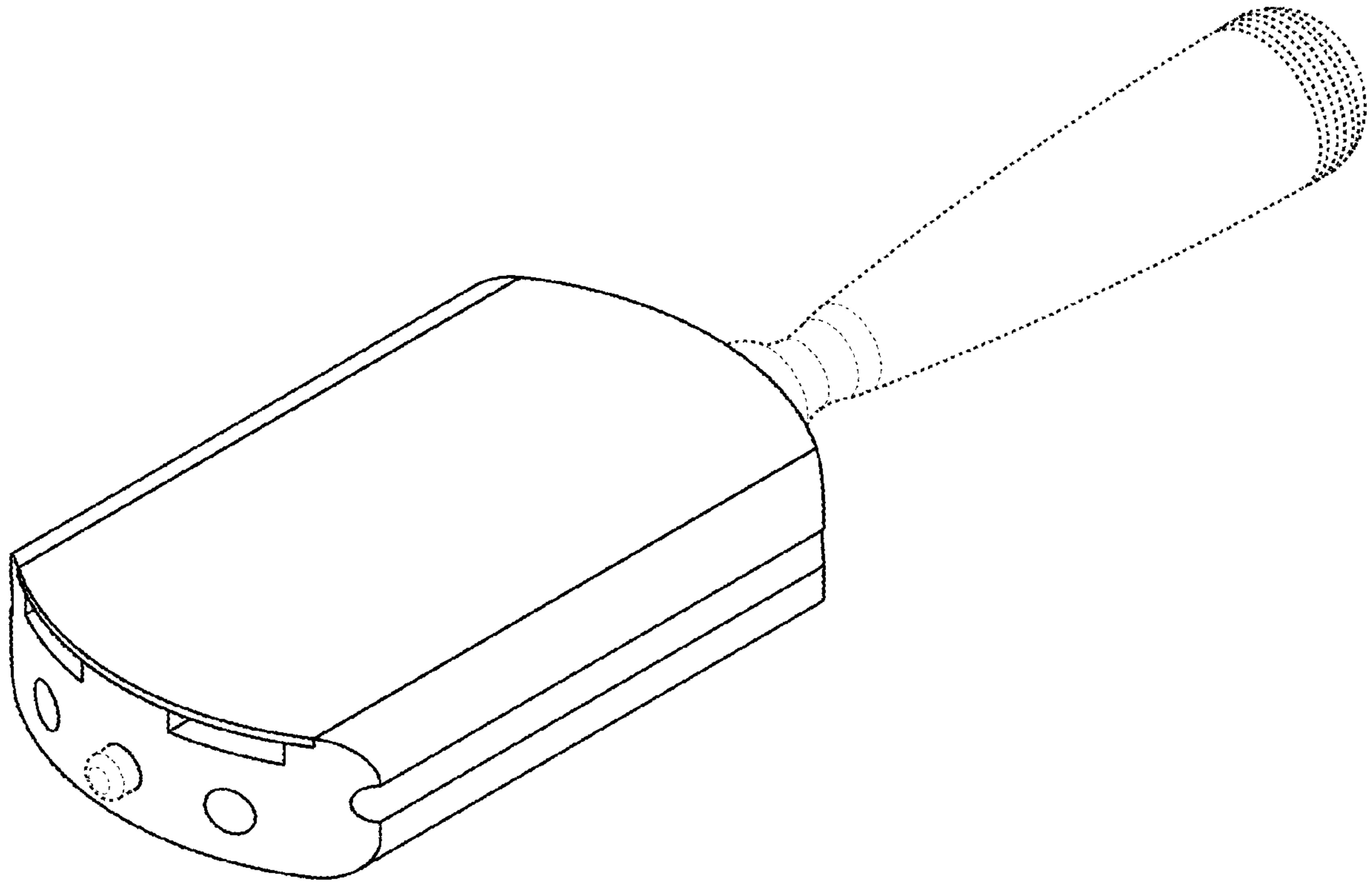


Fig. 1

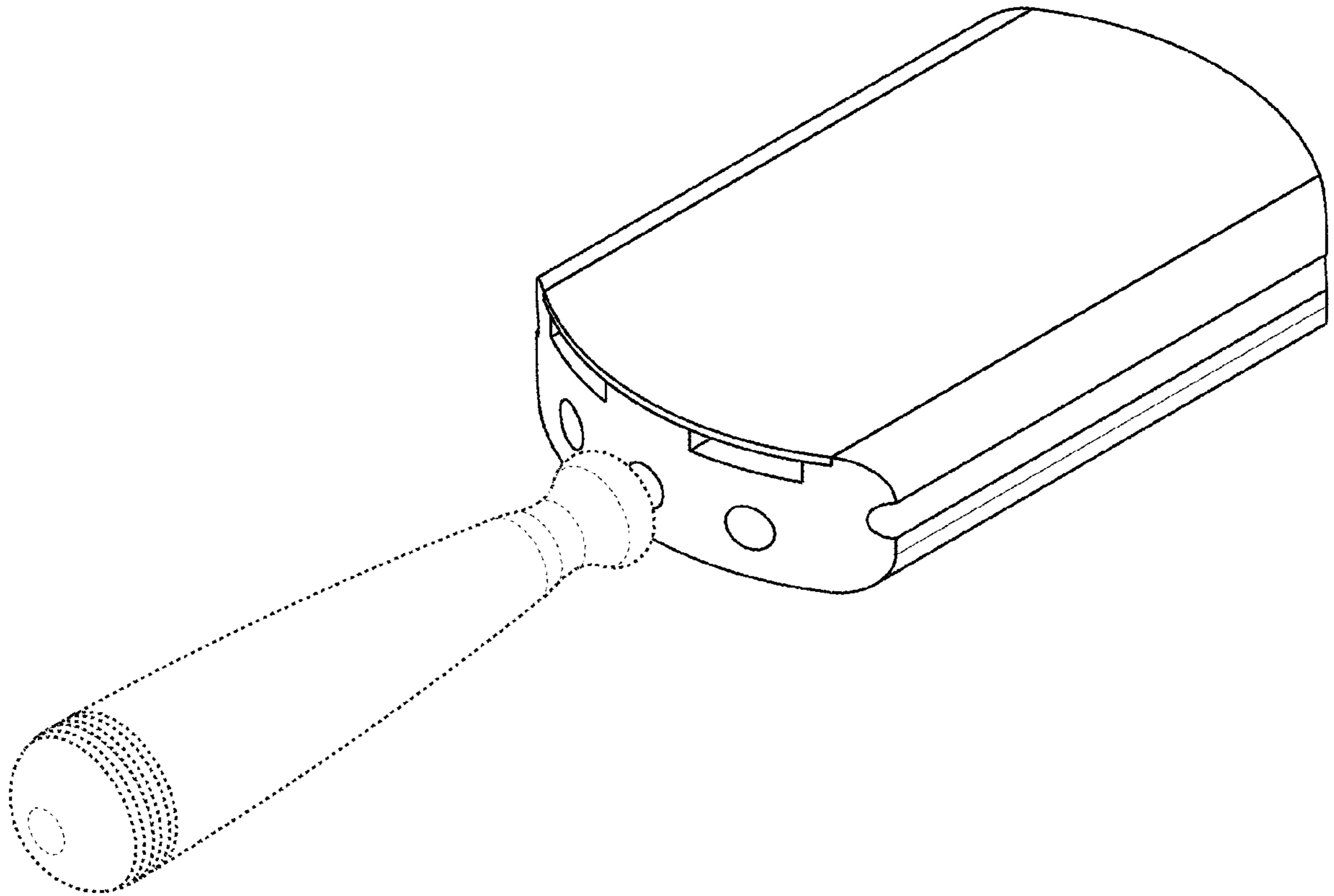


Fig. 2

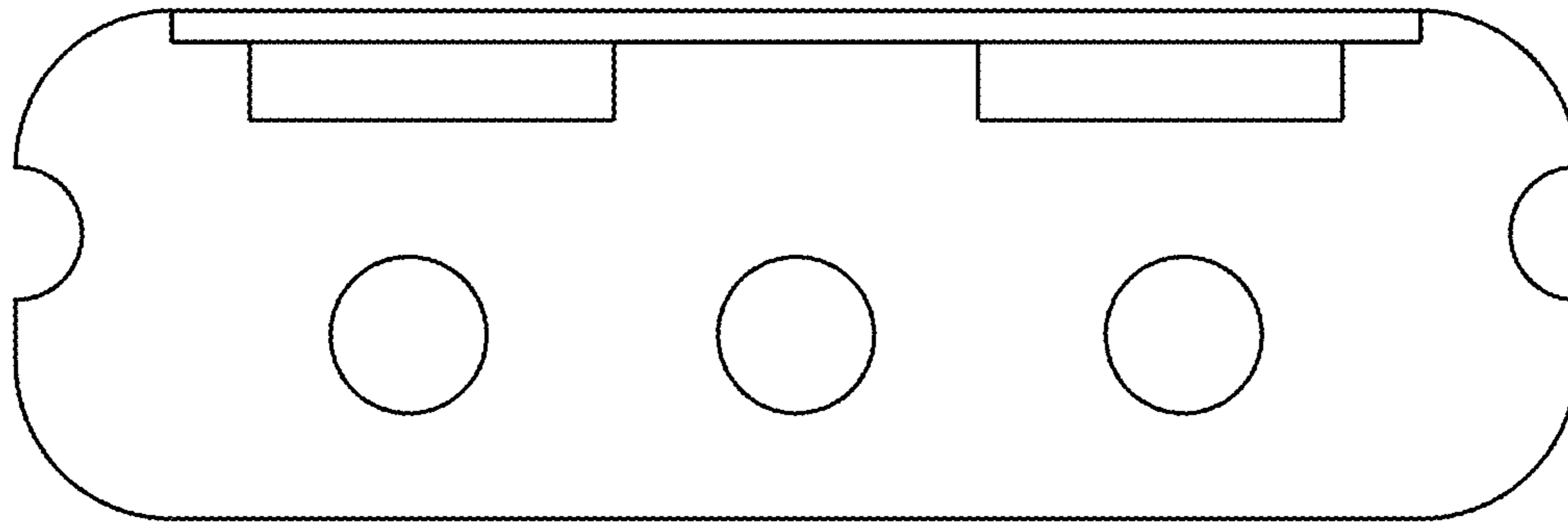


Fig. 3

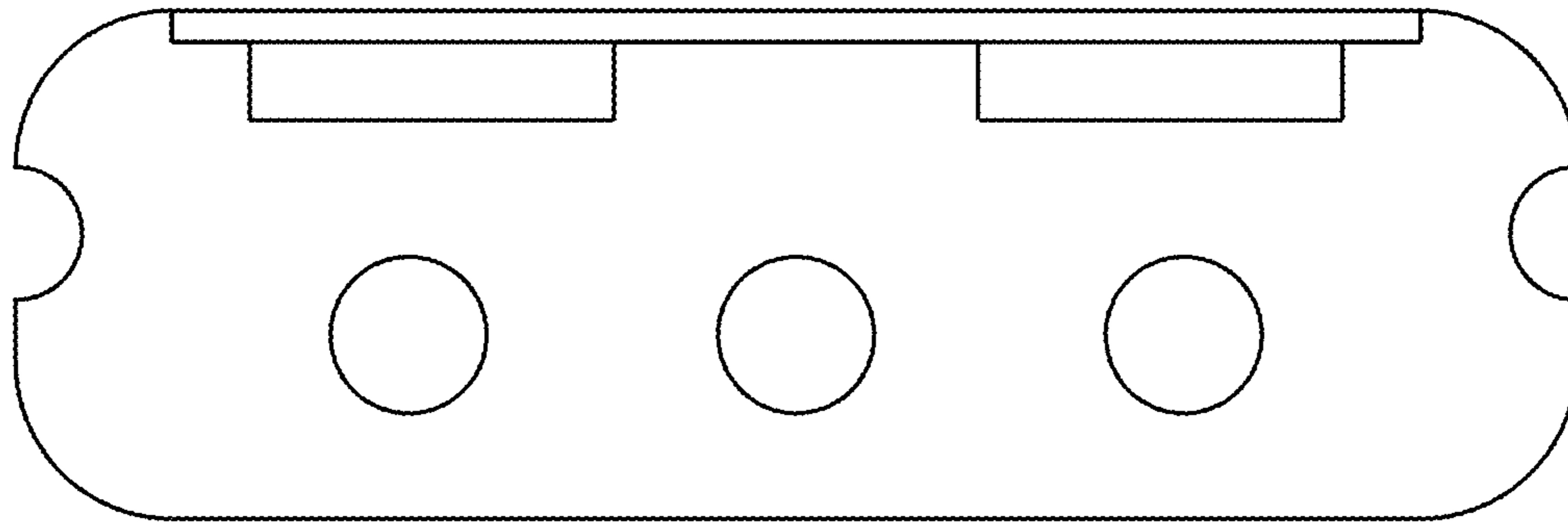


Fig. 4

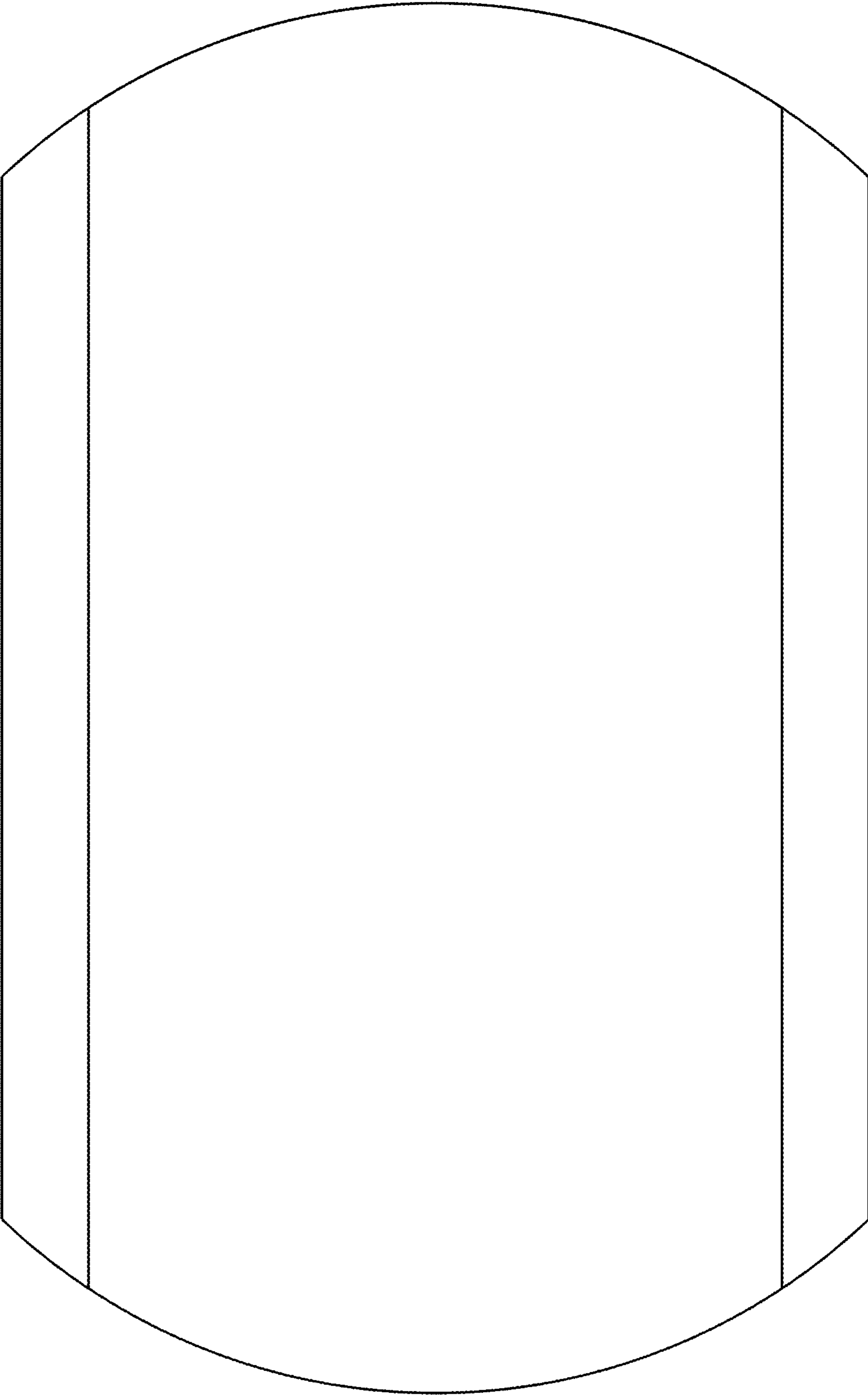


Fig. 5

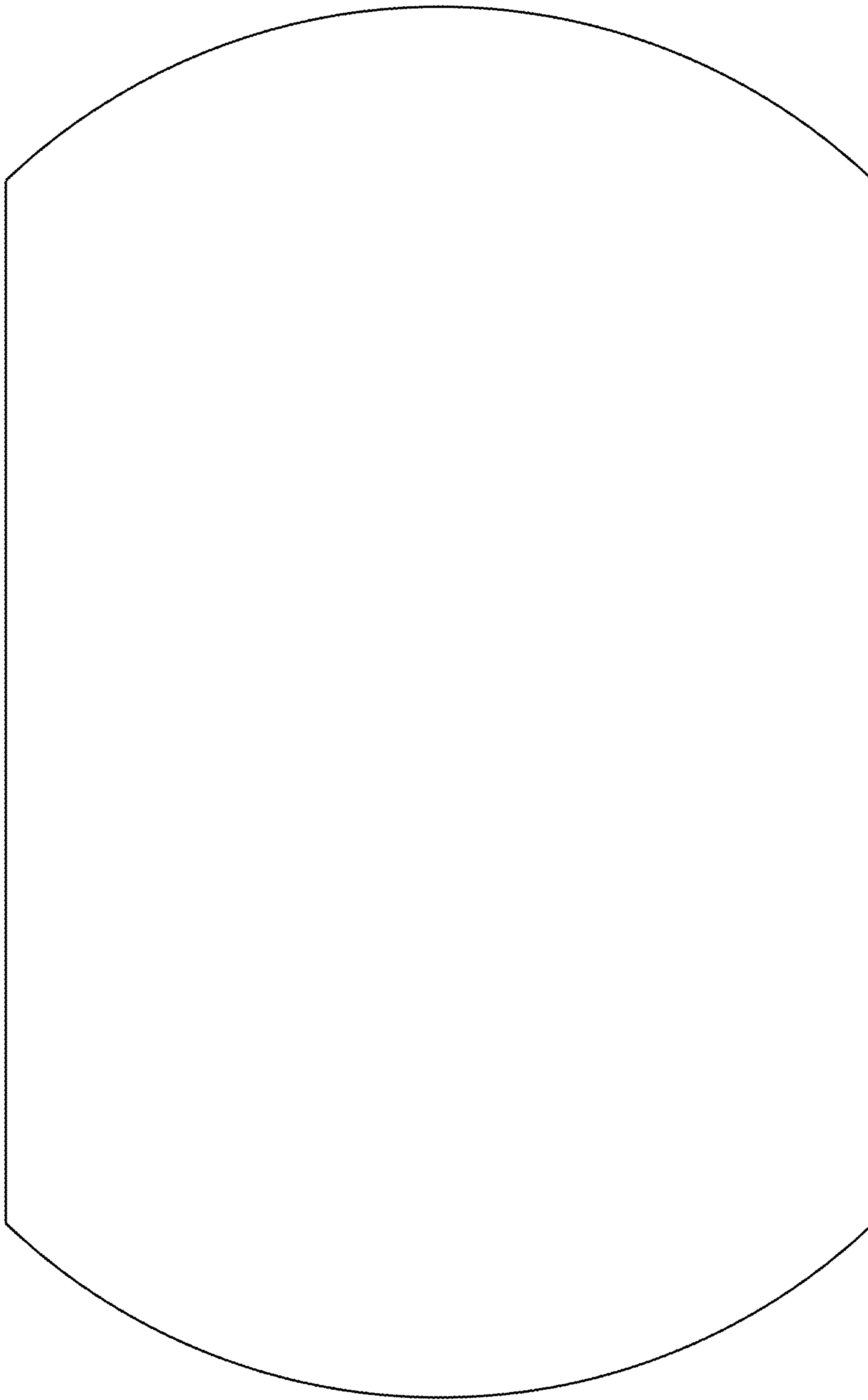


Fig. 6

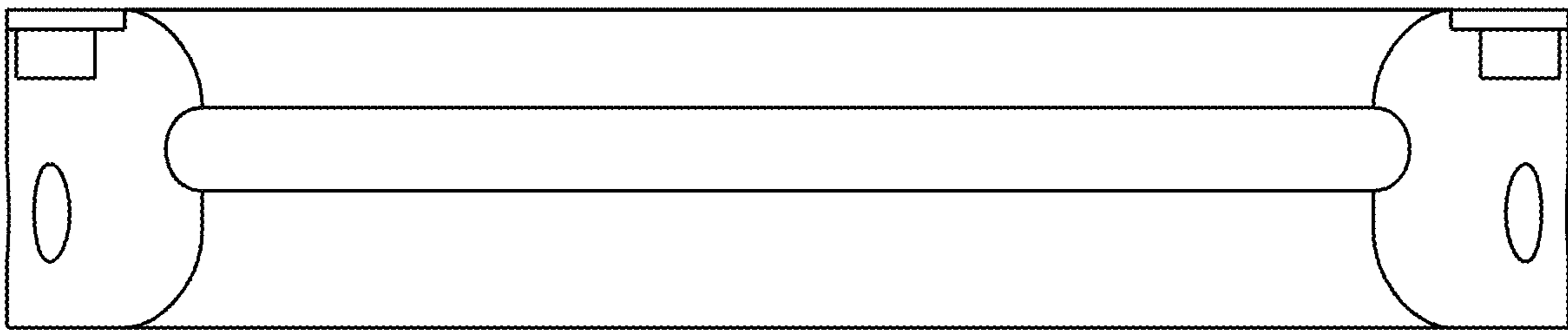


Fig. 7

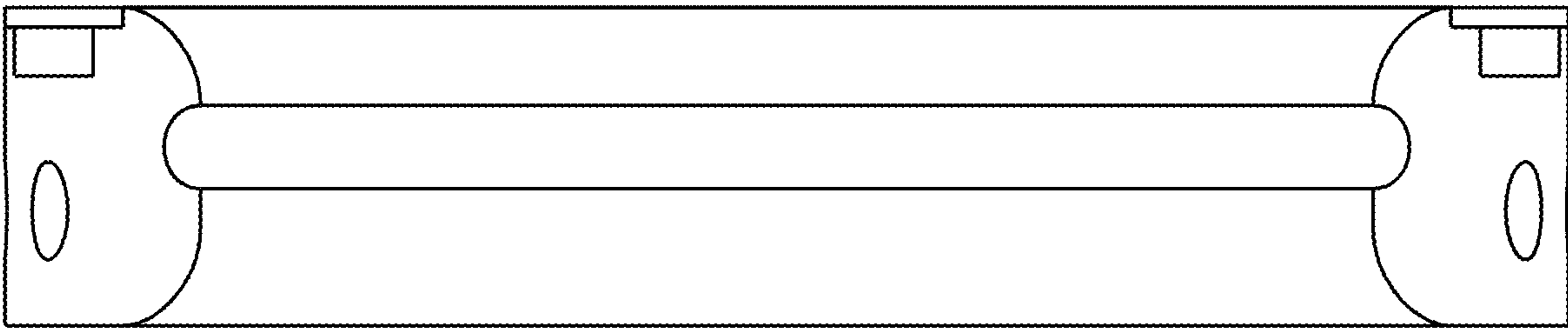


Fig. 8