



US00D920825S

(12) **United States Design Patent** (10) **Patent No.:** **US D920,825 S**
Bai et al. (45) **Date of Patent:** **** Jun. 1, 2021**

(54) **SMOKE DETECTOR CHAMBER**
(71) Applicant: **Analog Devices, Inc.**, Norwood, MA (US)

RE32,105 E 4/1986 Enemark
D283,989 S 5/1986 Chen
D284,272 S 6/1986 Chen
(Continued)

(72) Inventors: **Jiawen Bai**, Brighton, MA (US); **Ryan Frazier**, Boston, MA (US); **Ying Zhao**, Andover, MA (US); **Shrenik Deliwala**, Andover, MA (US)

FOREIGN PATENT DOCUMENTS

CN 205786299 U 12/2016
CN 206441309 U 8/2017
(Continued)

(73) Assignee: **ANALOG DEVICES, INC.**, Norwood, MA (US)

Primary Examiner — George D. Kirschbaum
Assistant Examiner — Joseph J Kukella
(74) *Attorney, Agent, or Firm* — Patent Capital Group

(**) Term: **15 Years**

(21) Appl. No.: **29/692,091**

(57) **CLAIM**

The ornamental design for a smoke detector chamber, as shown and described.

(22) Filed: **May 22, 2019**

Related U.S. Application Data

DESCRIPTION

(63) Continuation-in-part of application No. 16/206,268, filed on Nov. 30, 2018, which is a continuation-in-part of application No. 16/181,878, filed on Nov. 6, 2018.

(51) **LOC (13) Cl.** **10-05**

(52) **U.S. Cl.**
USPC **D10/106.5**

(58) **Field of Classification Search**
USPC D10/104.1, 104.2, 106.1–106.95, 108, D10/121, 123–126
CPC G08B 17/00; G08B 17/06; G08B 17/10; G08B 17/11; G08B 17/12; G08B 17/103; G08B 17/107
See application file for complete search history.

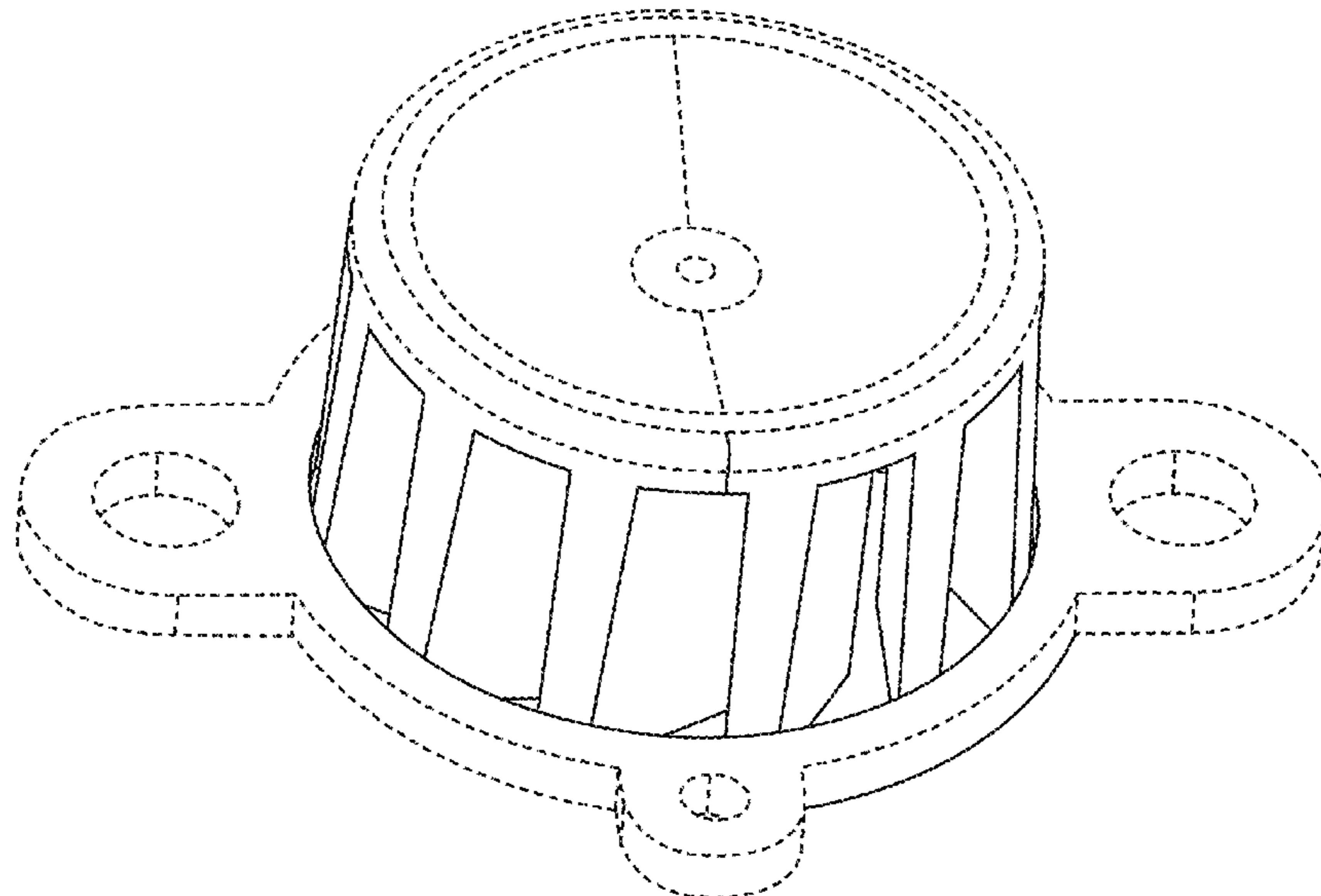
FIG. 1 is an exemplary perspective view of a smoke detector chamber, according to an embodiment;
FIG. 2 is an exemplary top plan view thereof, according to an embodiment;
FIG. 3 is an exemplary bottom plan view thereof, according to an embodiment;
FIG. 4 is an exemplary side view of a smoke detector chamber, according to an embodiment;
FIG. 5 is an exemplary alternate isometric view of a smoke detector chamber, according to an embodiment;
FIG. 6 is an exemplary alternate side view of a smoke detector chamber, according to an embodiment;
FIG. 7 is an exemplary alternate perspective view of a smoke detector chamber, according to an embodiment; and, FIG. 8 is an exemplary alternate perspective view of a smoke detector chamber, according to an embodiment.
In the drawings, the broken lines depict portions of the smoke detector chamber which form no part of the claimed design.

(56) **References Cited**

U.S. PATENT DOCUMENTS

D238,154 S 12/1975 Tipton et al.
4,238,679 A 12/1980 Macmillan
D269,161 S * 5/1983 Fenne D10/106.5
4,430,646 A 2/1984 Enemark

1 Claim, 8 Drawing Sheets



(56)

References Cited

U.S. PATENT DOCUMENTS

D297,318 S 8/1988 Taylor
 4,857,895 A 8/1989 Kaprelian
 4,906,978 A 3/1990 Best
 D328,875 S 8/1992 Perkins
 5,381,130 A 1/1995 Thuillard et al.
 5,451,931 A 9/1995 Muller et al.
 D382,217 S * 8/1997 Akiyama D10/106.5
 D407,033 S * 3/1999 Fors D10/106.91
 D434,686 S * 12/2000 Denman D10/106.1
 6,396,405 B1 5/2002 Bernal et al.
 6,756,905 B2 6/2004 Rattman
 7,248,173 B2 * 7/2007 Yamasaki G08B 17/107
 340/630
 D653,576 S * 2/2012 Thalhammer D10/106.5
 D653,577 S * 2/2012 Thalhammer D10/106.5
 D653,578 S * 2/2012 Thalhammer D10/106.5
 D665,289 S * 8/2012 Thalhammer D10/106.5
 8,970,387 B2 * 3/2015 Brigham G08B 17/107
 340/628
 9,013,317 B2 4/2015 Brigham
 9,196,141 B1 11/2015 Schmidt et al.
 D769,756 S 10/2016 Hojmose
 9,459,208 B2 10/2016 Orsini et al.
 9,824,564 B2 11/2017 Bressanutti et al.
 D874,964 S * 2/2020 Bai G08B 17/107
 D10/121

2008/0258903 A1 10/2008 Le et al.
 2013/0008787 A1 1/2013 Mammoto et al.
 2015/0300938 A1 10/2015 Debreczeny et al.
 2015/0377711 A1 12/2015 Steffanson et al.
 2016/0153905 A1 6/2016 Allemann
 2017/0046935 A1 2/2017 Allemann et al.
 2017/0169682 A1 6/2017 Bressanutti et al.
 2018/0365955 A1 12/2018 Bajaj et al.

FOREIGN PATENT DOCUMENTS

DE 202015000820 U1 3/2015
 EP 3270362 A1 1/2018
 GB 2397122 A 7/2004
 JP 1364184 D 7/2009
 JP D1410148 3/2014
 KR 3003794520000 4/2005
 KR 3006241260000 12/2011
 KR 3006324530000 2/2012
 TW 565384 12/2003
 TW 566634 12/2003
 TW 596351 6/2004
 TW D091390 12/2004
 TW 201237811 A 9/2012
 TW D151506 1/2013
 TW 201434015 A 9/2014
 WO 2016/150613 A1 9/2016
 WO 2016/186884 A1 11/2016
 WO 2017/021217 A1 2/2017

* cited by examiner

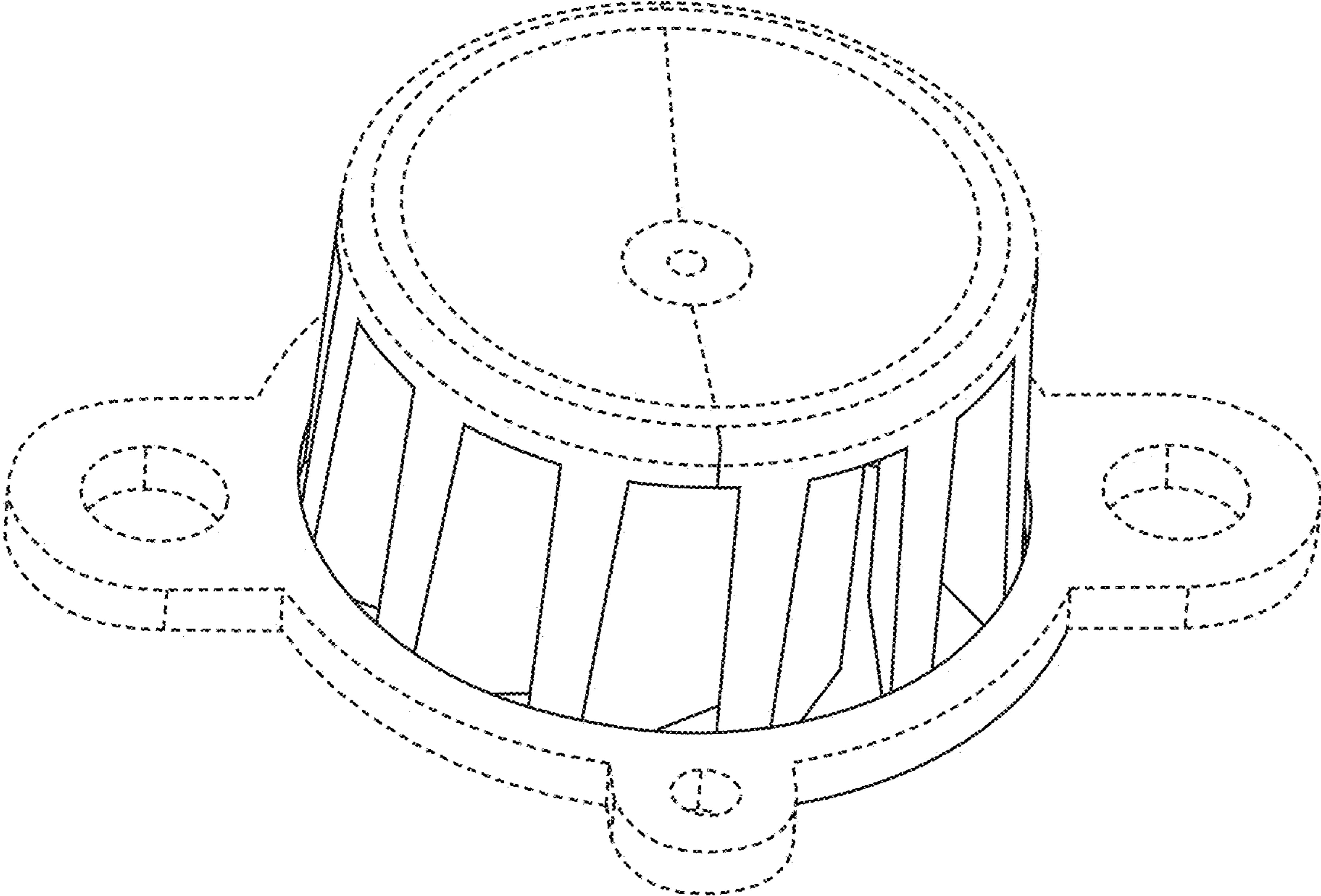


FIG. 1

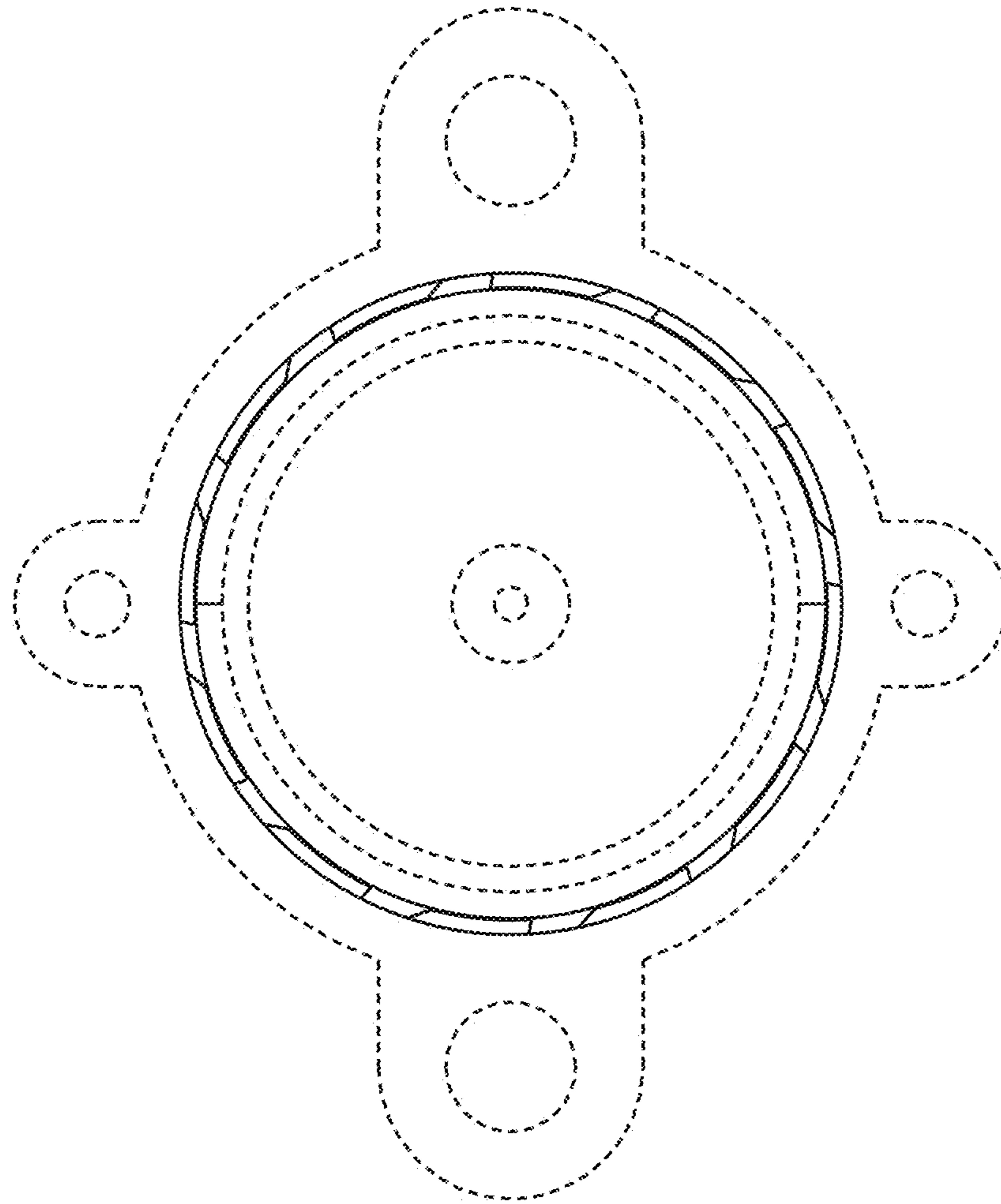


FIG. 2

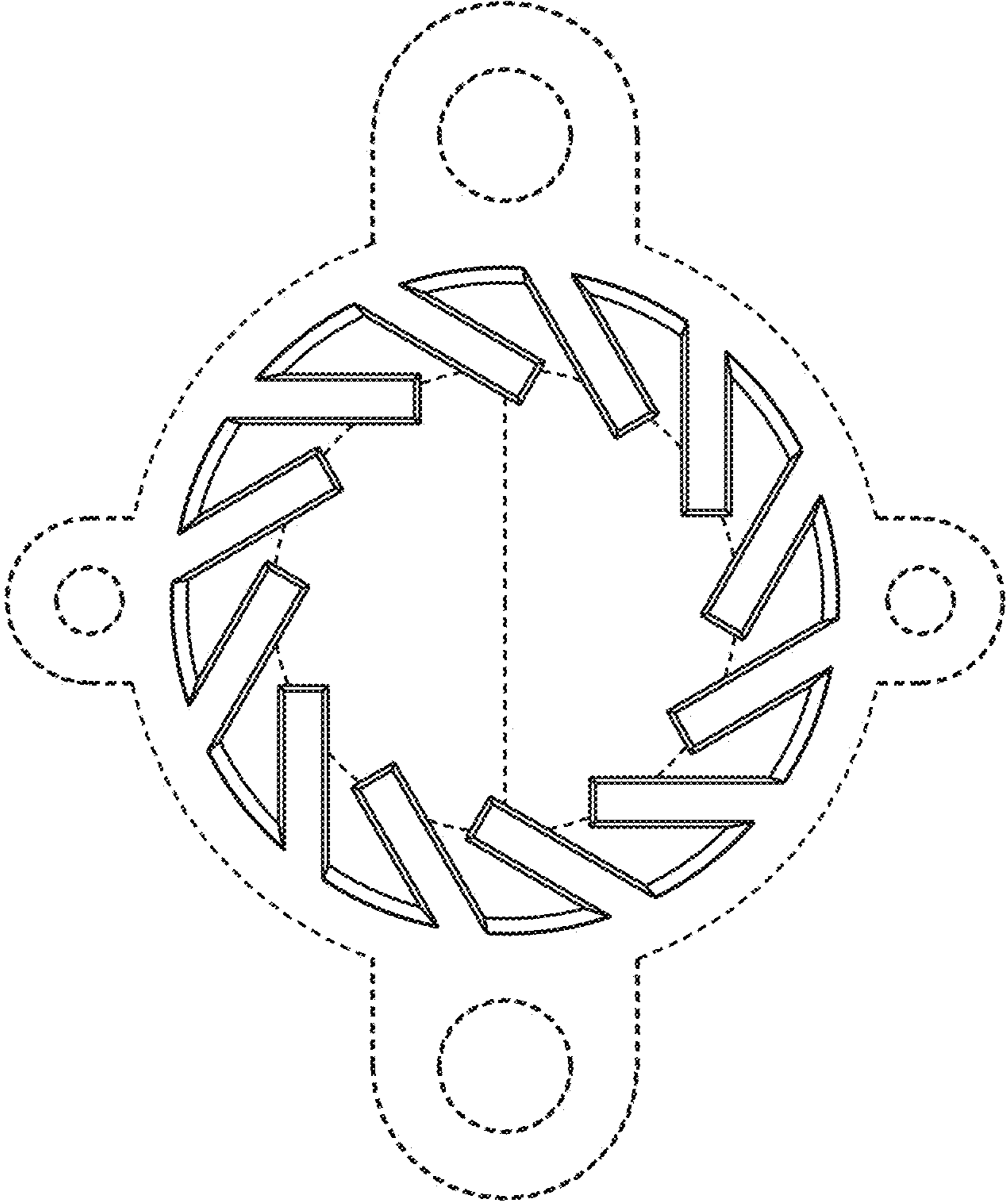


FIG. 3

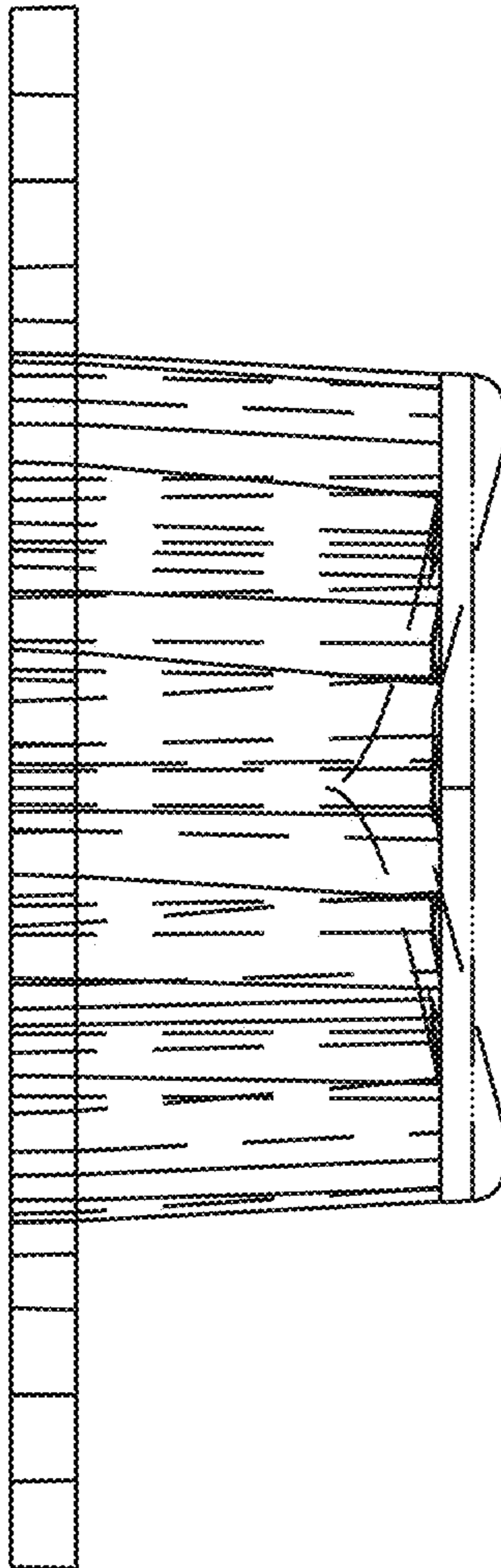


FIG. 4

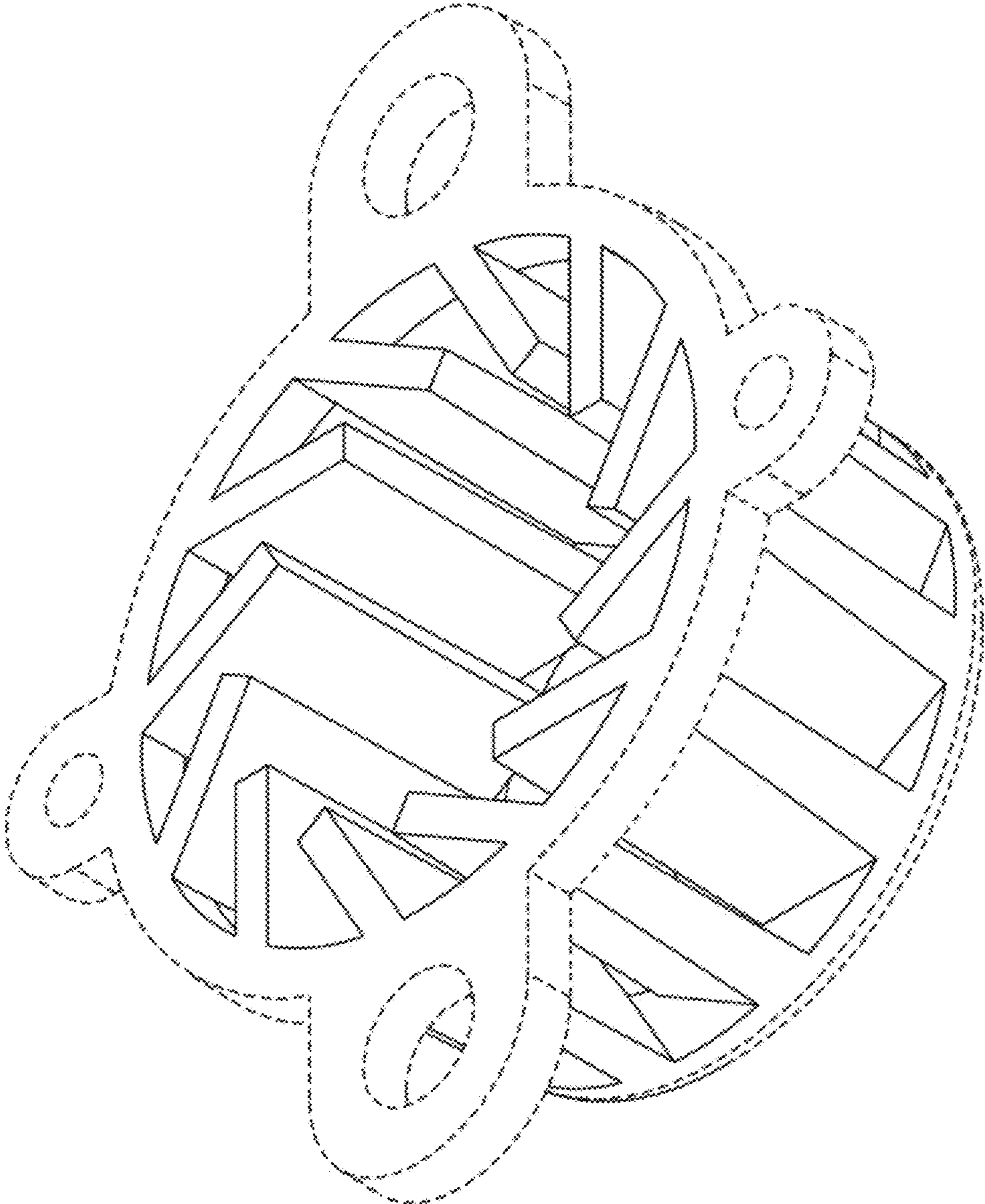


FIG. 5

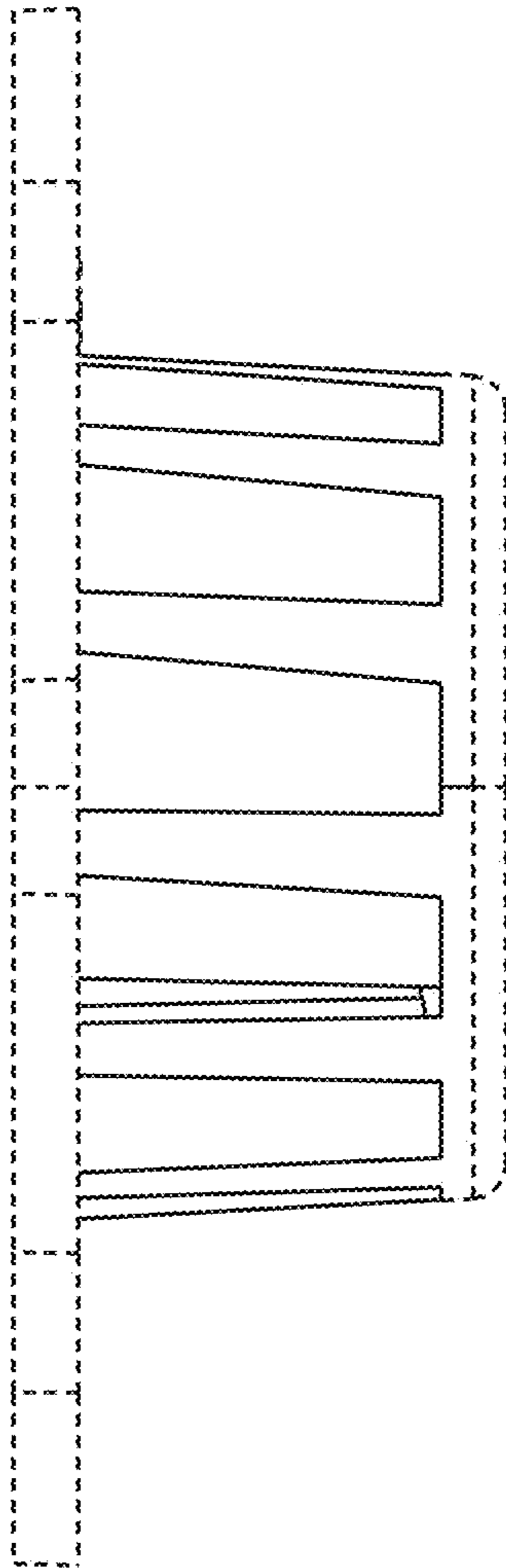


FIG. 6

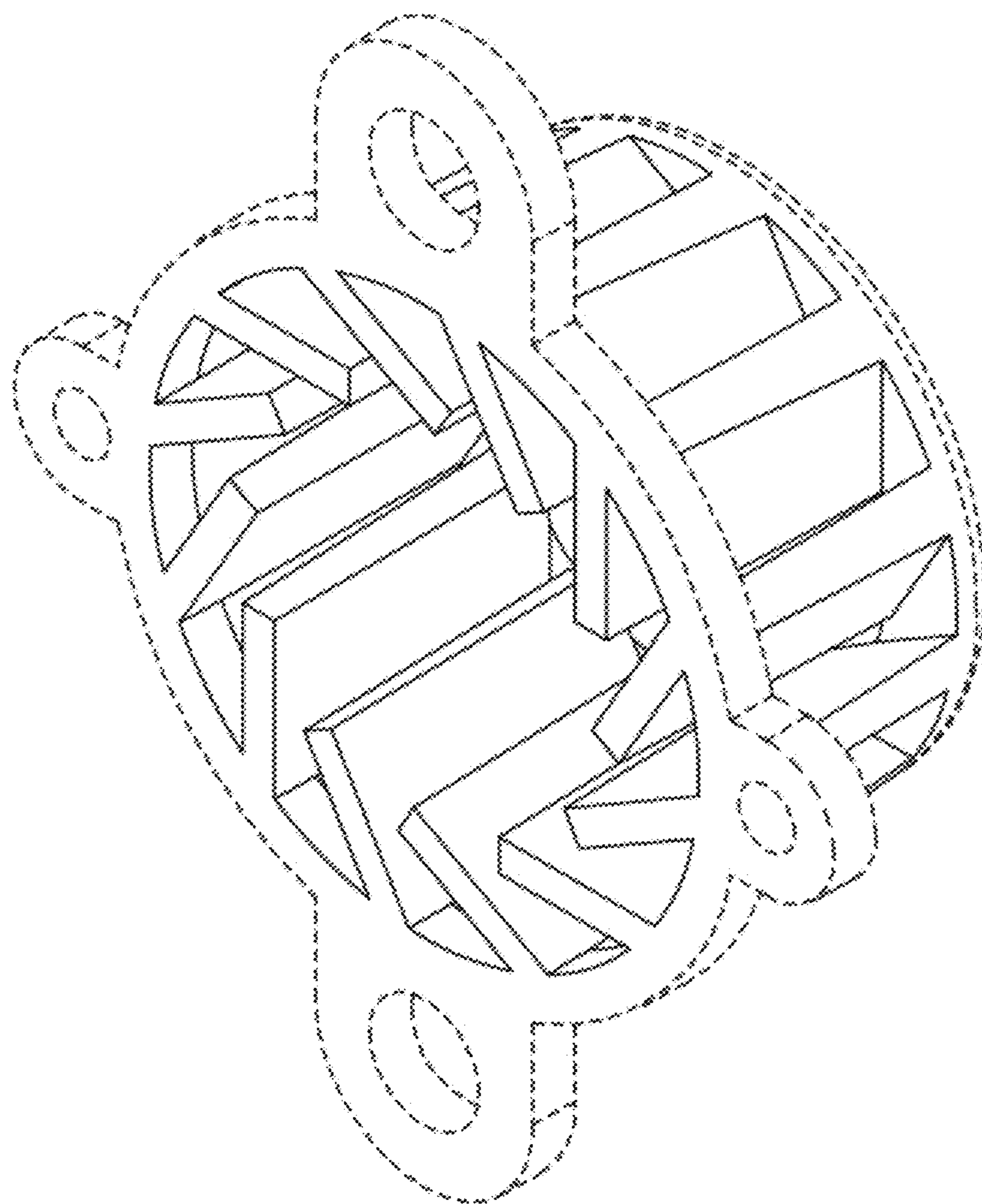


FIG. 7

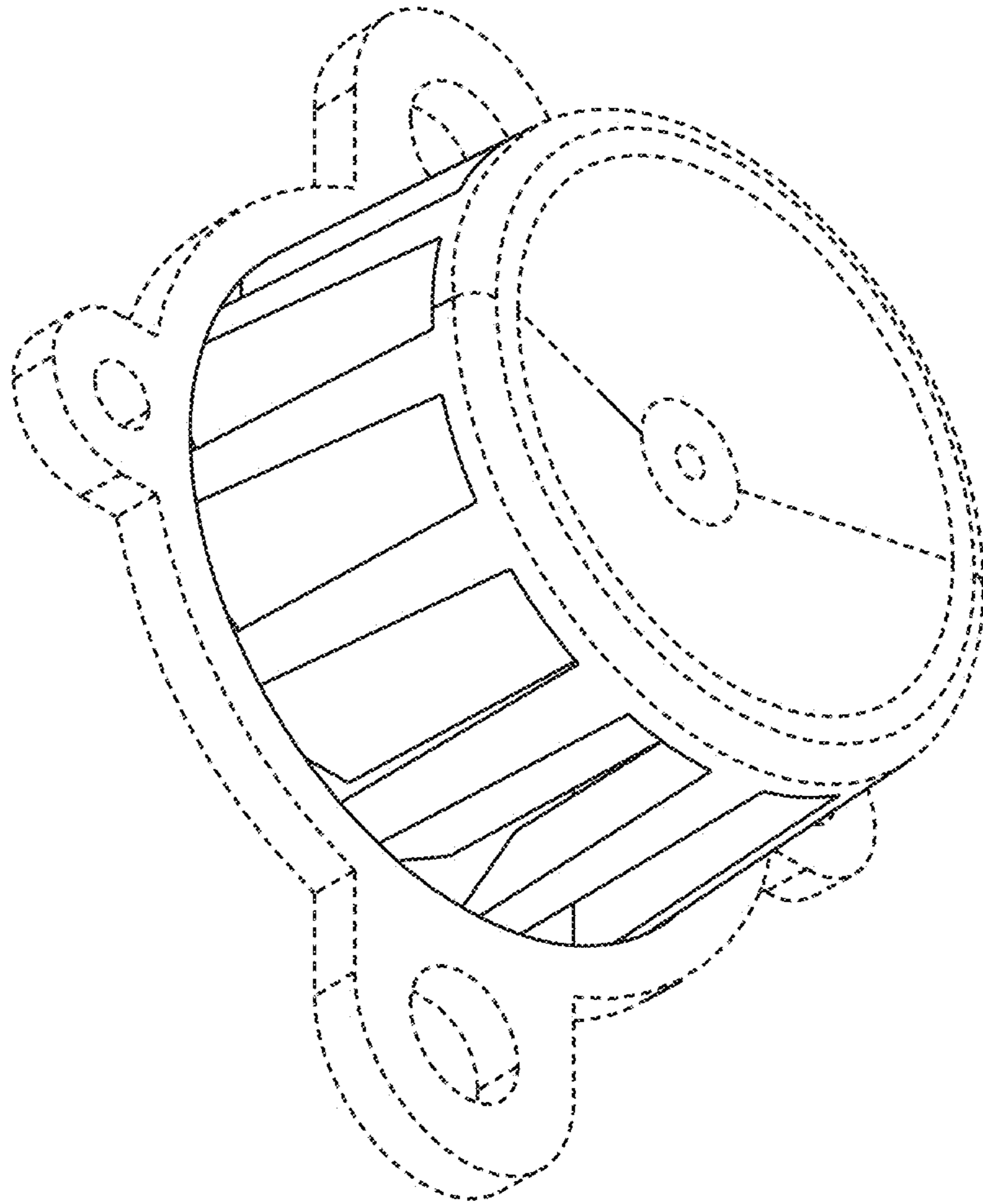


FIG. 8