



US00D920824S

(12) **United States Design Patent** (10) **Patent No.:** **US D920,824 S**
Matula et al. (45) **Date of Patent:** **** Jun. 1, 2021**

(54) **LAPEL TAG**
(71) Applicant: **Midmark RTLS Solutions, Inc.**,
Traverse City, MI (US)
(72) Inventors: **Tracy D. Matula**, Traverse City, MI
(US); **Charles P. Springsteen**, Traverse
City, MI (US); **Eric L. Layton**,
Traverse City, MI (US)

D672,922 S * 12/2012 Ritchey D30/155
D746,709 S * 1/2016 Heath D10/104.2
D749,442 S * 2/2016 Jung D10/106.9
D777,592 S * 1/2017 Benoit D10/104.1
D800,235 S * 10/2017 Huang D21/684
D809,944 S * 2/2018 Kawahara D10/53
D810,200 S * 2/2018 Adelman D20/22
D814,952 S * 4/2018 Taylor D10/104.1
D842,154 S * 3/2019 Dimitriadis D10/106.2
D877,145 S * 3/2020 Shin D14/344

(73) Assignee: **Midmark RTLS Solutions, Inc.**,
Traverse City, MI (US)

(**) Term: **15 Years**

(21) Appl. No.: **29/679,345**

(22) Filed: **Feb. 5, 2019**

(51) **LOC (13) Cl.** **10-05**

(52) **U.S. Cl.**
USPC **D10/104.2**

(58) **Field of Classification Search**
USPC D9/550, 563; D10/46, 47, 52, 104.1,
D10/104.2; D14/490, 491; D19/1, 2, 3,
D19/4, 5, 6, 7, 8, 9, 10, 11, 12; D20/10,
D20/11, 18, 22, 23, 24, 25, 26, 27, 28,
D20/29, 40, 43, 44, 49
CPC G09F 1/00; G09F 1/04; G09F 3/00; G09F
3/005; G09F 3/0288; G09F 3/0289; G09F
3/02; G09F 3/04; G09F 3/06; G09F 3/08;
G09F 3/10; G06K 19/0776

See application file for complete search history.

(56) **References Cited**

U.S. PATENT DOCUMENTS

D277,465 S * 2/1985 MacDonald D10/106.1
D557,343 S * 12/2007 Feibelman D20/22
D620,984 S * 8/2010 Rose D20/27

OTHER PUBLICATIONS

One badge, posted at Midmark.com, posted on Dec. 3, 2018, site visited Mar. 30, 2020. online, available from internet: <https://web.archive.org/web/20181203073140/https://www.midmark.com/medical/products/rtls/rtls-detail/patient-staff-badges> (Year: 2018).*

* cited by examiner

Primary Examiner — Mary Ann Calabrese

Assistant Examiner — Catherine Ho

(74) *Attorney, Agent, or Firm* — Frost Brown Todd LLC

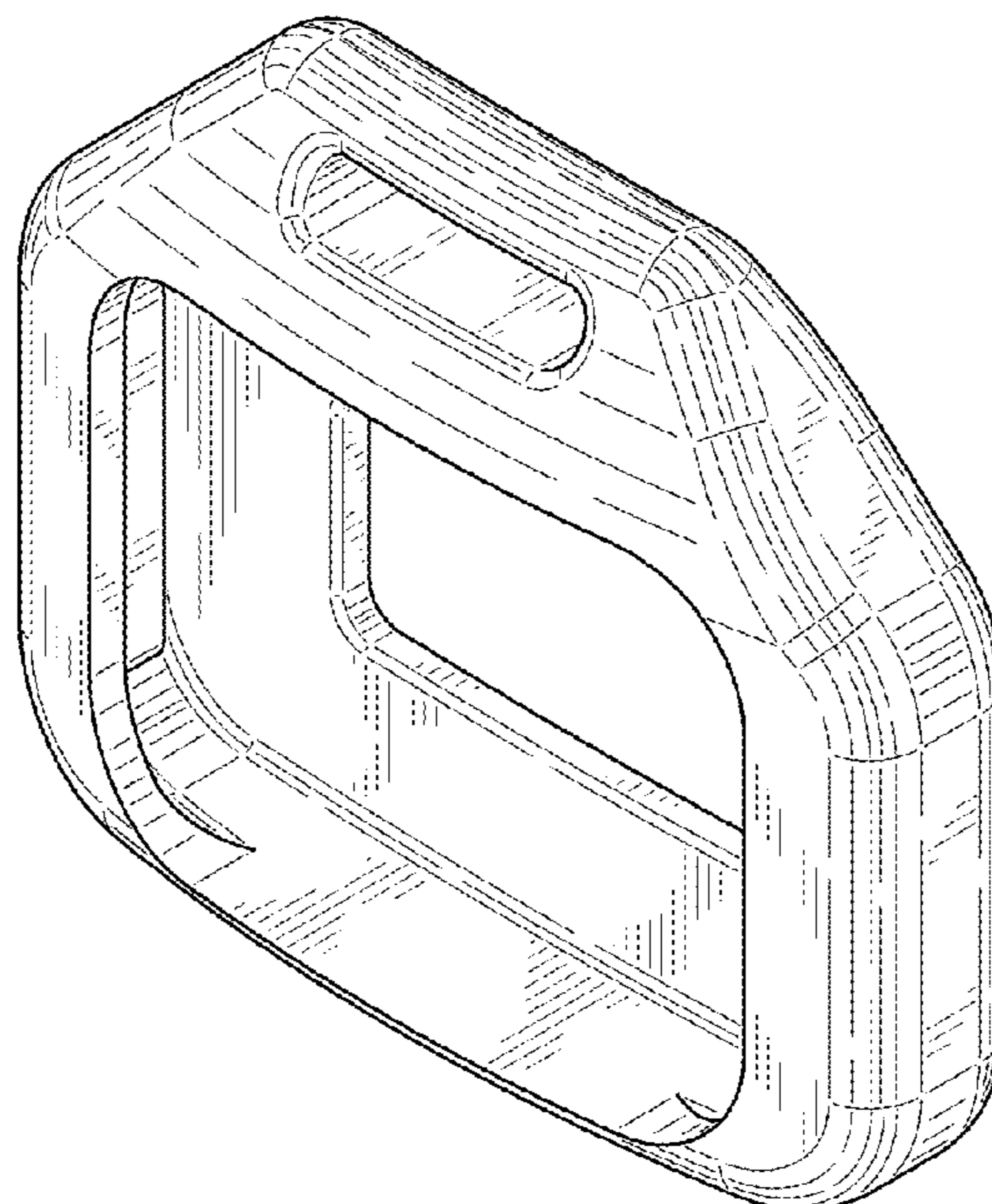
(57) **CLAIM**

The ornamental design for a lapel tag, as shown and described.

DESCRIPTION

FIG. 1 is a perspective view of a lapel tag showing our new design;
FIG. 2 is a front elevational view thereof;
FIG. 3 is a rear elevational view thereof;
FIG. 4 is a left elevational view thereof;
FIG. 5 is a right elevational view thereof;
FIG. 6 is a top plan view thereof; and,
FIG. 7 is a bottom plan view thereof.

1 Claim, 5 Drawing Sheets



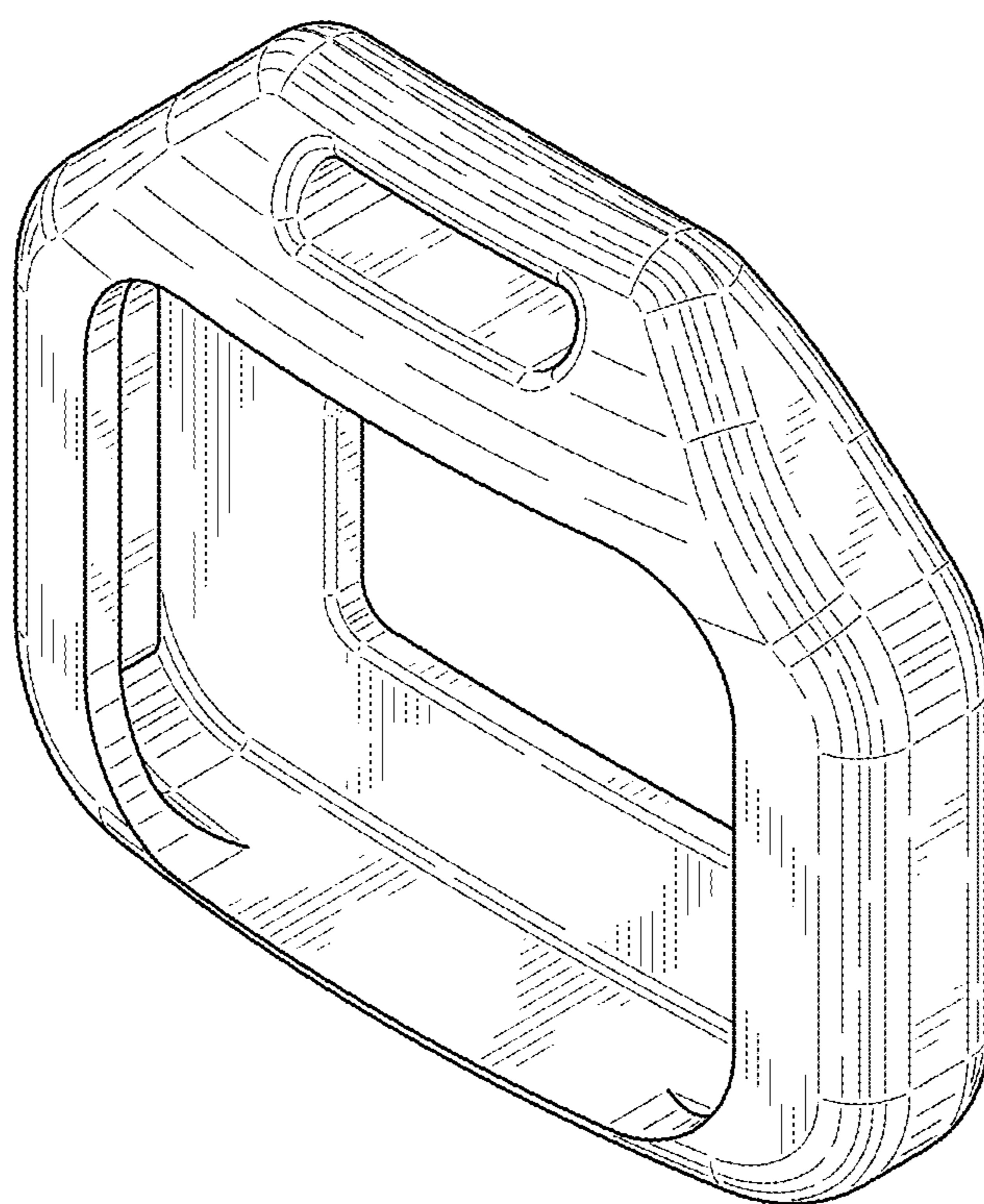


FIG. 1

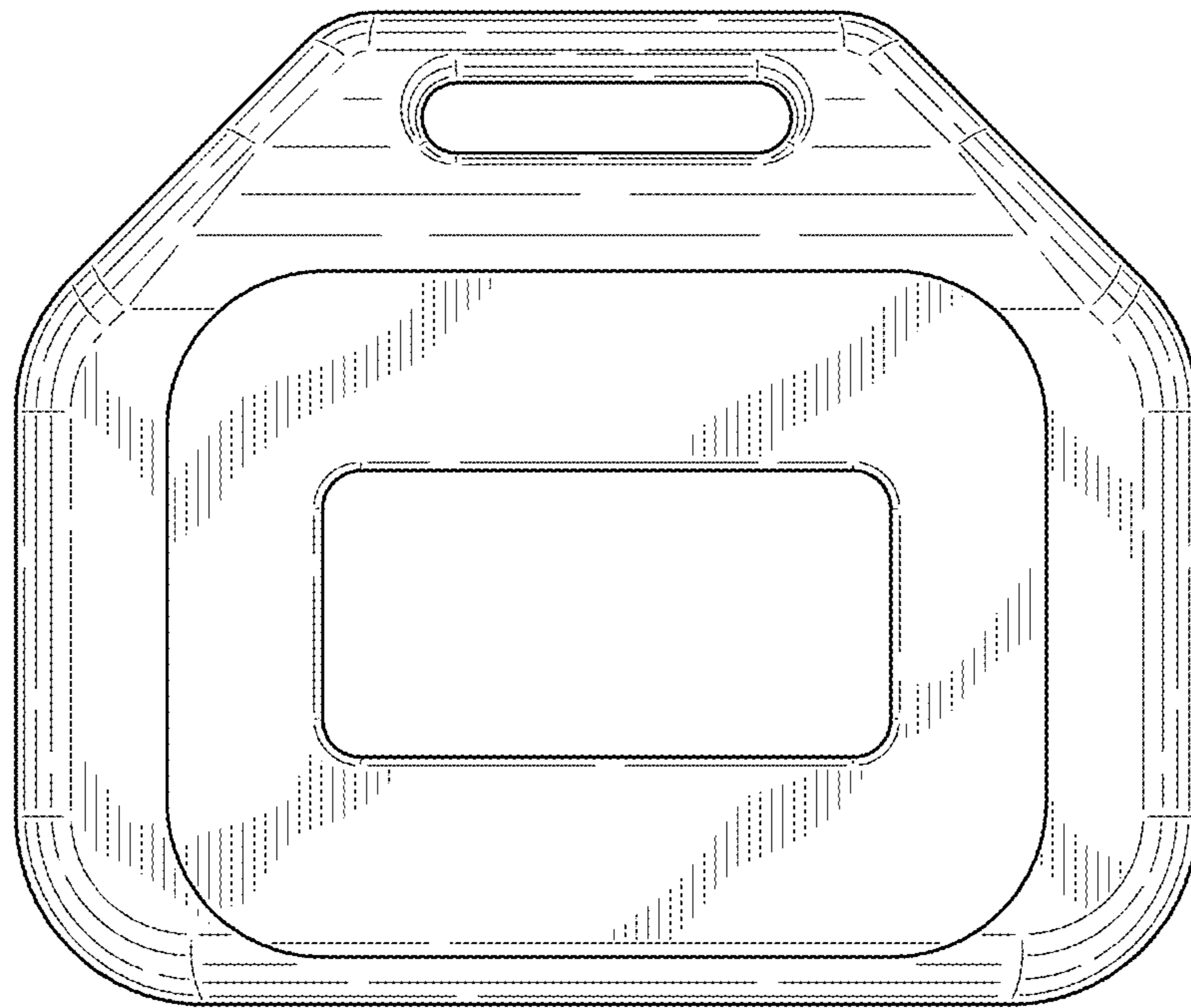


FIG. 2

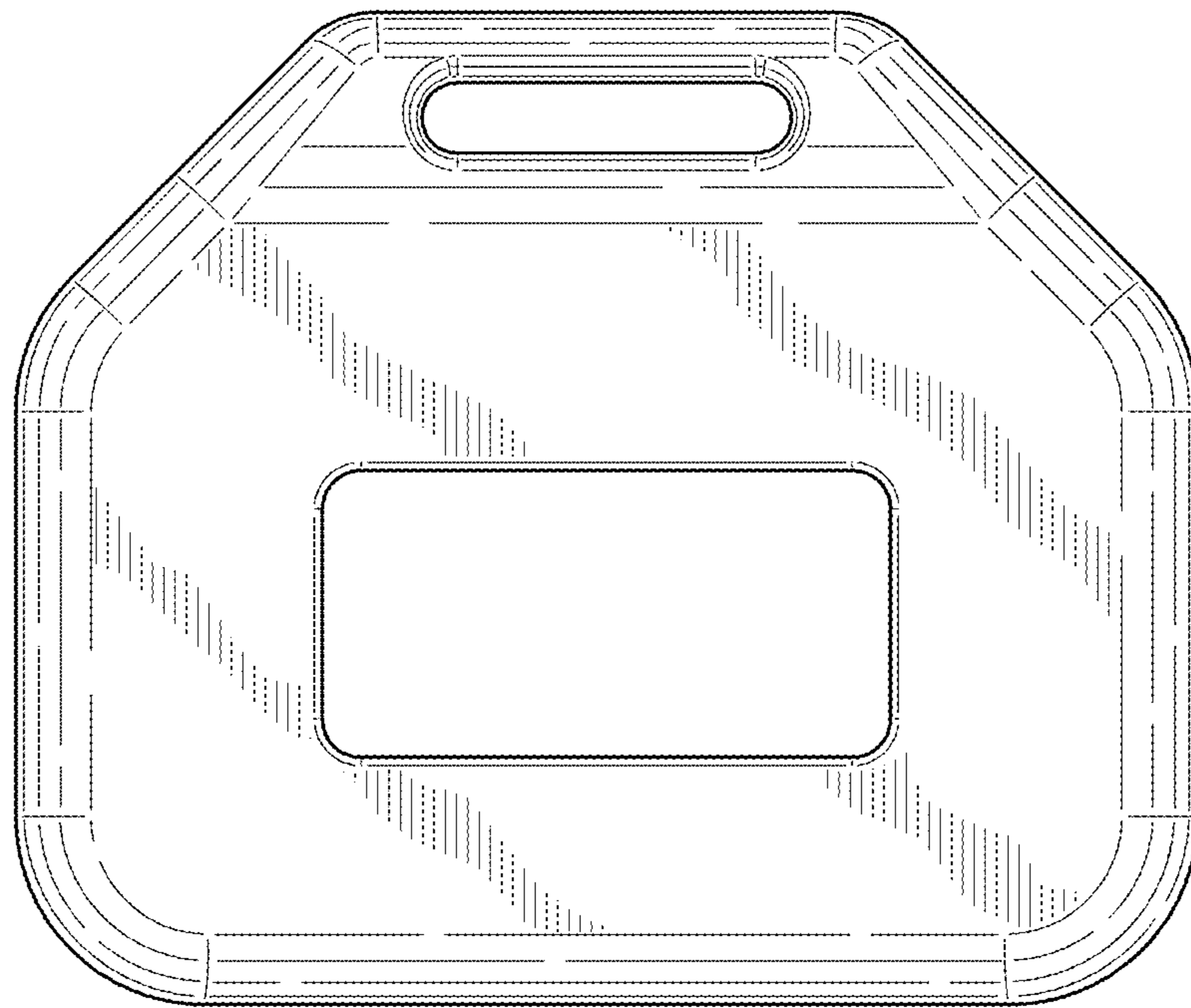


FIG. 3

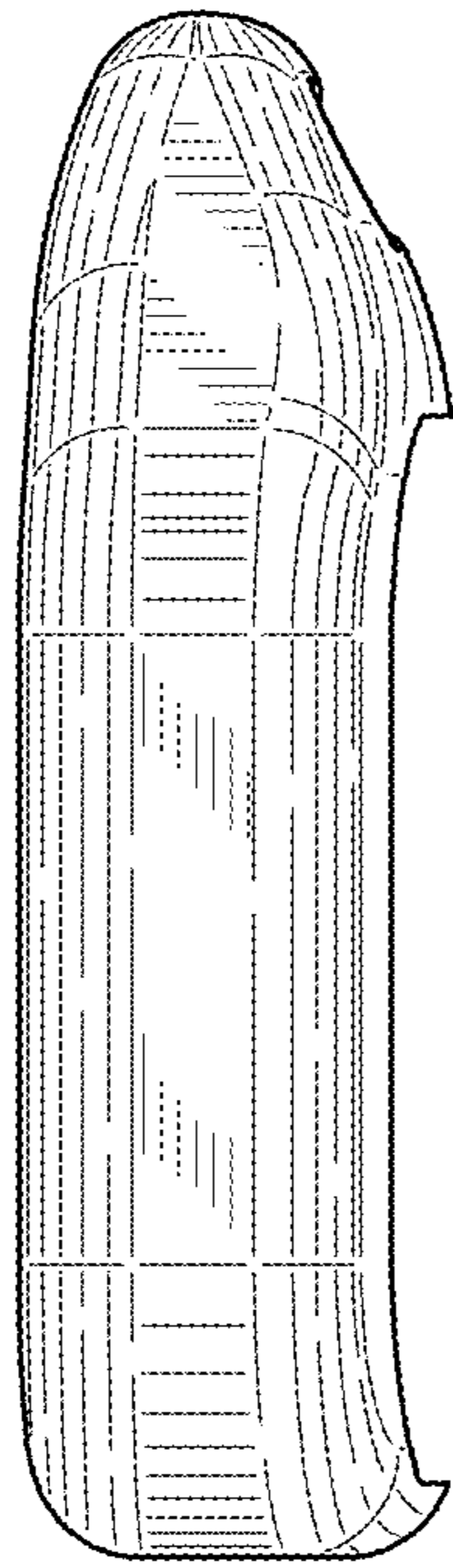


FIG. 4

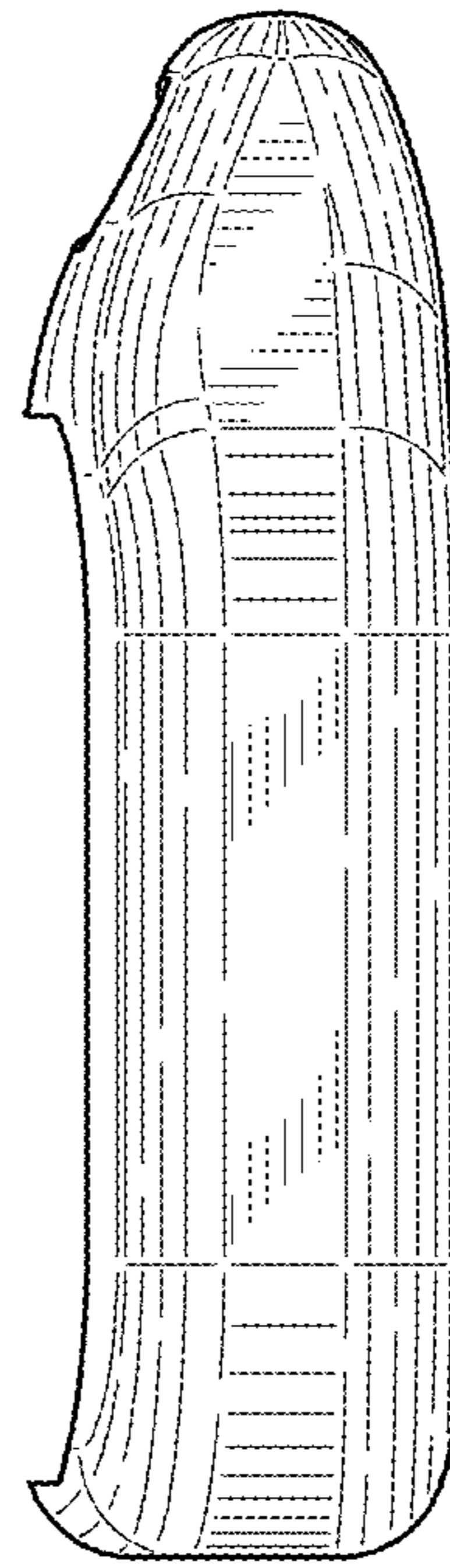


FIG. 5

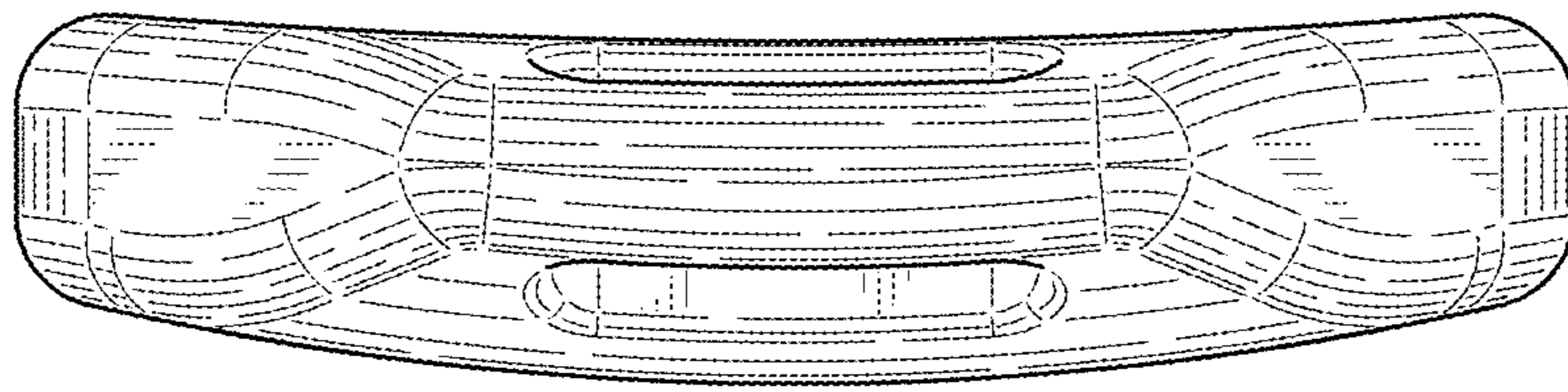


FIG. 6

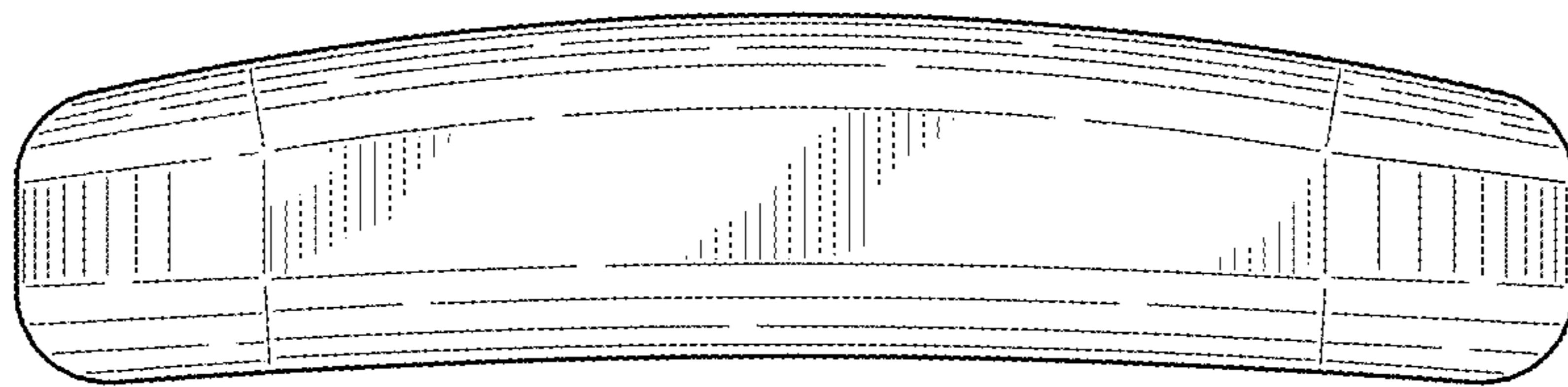


FIG. 7