



US00D920822S

(12) **United States Design Patent** (10) **Patent No.:** **US D920,822 S**
Donlan et al. (45) **Date of Patent:** **** Jun. 1, 2021**

(54) **THERMOSTAT RETENTION MEMBER**

(71) Applicant: **Appleton Grp LLC**, Rosemont, IL (US)

(72) Inventors: **Andrew J. Donlan**, Guelph (CA); **Paul E. Mazur**, Kitchener (CA); **Jacob Holfeuer**, Kitchener (CA)

(73) Assignee: **Appleton Grp LLC**, Rosemont, IL (US)

(**) Term: **15 Years**

(21) Appl. No.: **29/711,519**

(22) Filed: **Oct. 31, 2019**

(51) **LOC (13) Cl.** **10-04**

(52) **U.S. Cl.**
USPC **D10/103**

(58) **Field of Classification Search**

USPC D8/349, 354, 373, 380, 382, 394;
D10/46, 50, 51, 52, 53, 60, 103;
D13/152, 153, 154, 155, 156

CPC ... H02B 1/00; H02B 1/06; H02B 1/14; H02K 11/25; F16B 2/08; F24H 9/20; F16L 55/07; H01R 13/585; H01R 13/6392

See application file for complete search history.

(56) **References Cited**

U.S. PATENT DOCUMENTS

- 2,365,487 A * 12/1944 Murray G01K 1/08
374/207
- D197,417 S * 1/1964 Kirkpatrick D8/356
- D205,138 S * 6/1966 Darrah et al. D10/83
- 3,515,917 A * 6/1970 Kolb B21D 35/007
310/71
- 3,842,297 A * 10/1974 Pleiss, Jr. H02K 11/25
310/68 C
- 4,028,570 A * 6/1977 Kieffer H02K 11/25
310/68 C
- 4,261,539 A * 4/1981 Albern F16B 2/08
24/16 PB
- D261,367 S * 10/1981 Janson D10/60

- D265,055 S * 6/1982 Bone D8/394
- D305,977 S * 2/1990 Ono D8/382
- D312,040 S * 11/1990 Johnson, Jr. D8/373
- D363,877 S * 11/1995 Dee D8/373
- D371,832 S * 7/1996 Kelly 23/314

(Continued)

OTHER PUBLICATIONS

Emerson Catalog, "EasyHeat AHB Cable: Pipe Freeze Protection, Constant Wattage, Pre-Terminated. For Residential Applications.", 2017, 2 pages.

Primary Examiner — Leanne Was-Englehart

(74) *Attorney, Agent, or Firm* — McDonnell Boehnen Hulbert & Berghoff LLP

(57) **CLAIM**

The ornamental design for a thermostat retention member, as shown and described.

DESCRIPTION

FIG. 1 is a perspective rear view of a thermostat retention member having the inventive design;

FIG. 2 is a rear view of the thermostat retention member shown in FIG. 1;

FIG. 3 is a front view of the thermostat retention member shown in FIG. 1;

FIG. 4 is a right side view of the thermostat retention member shown in FIG. 1;

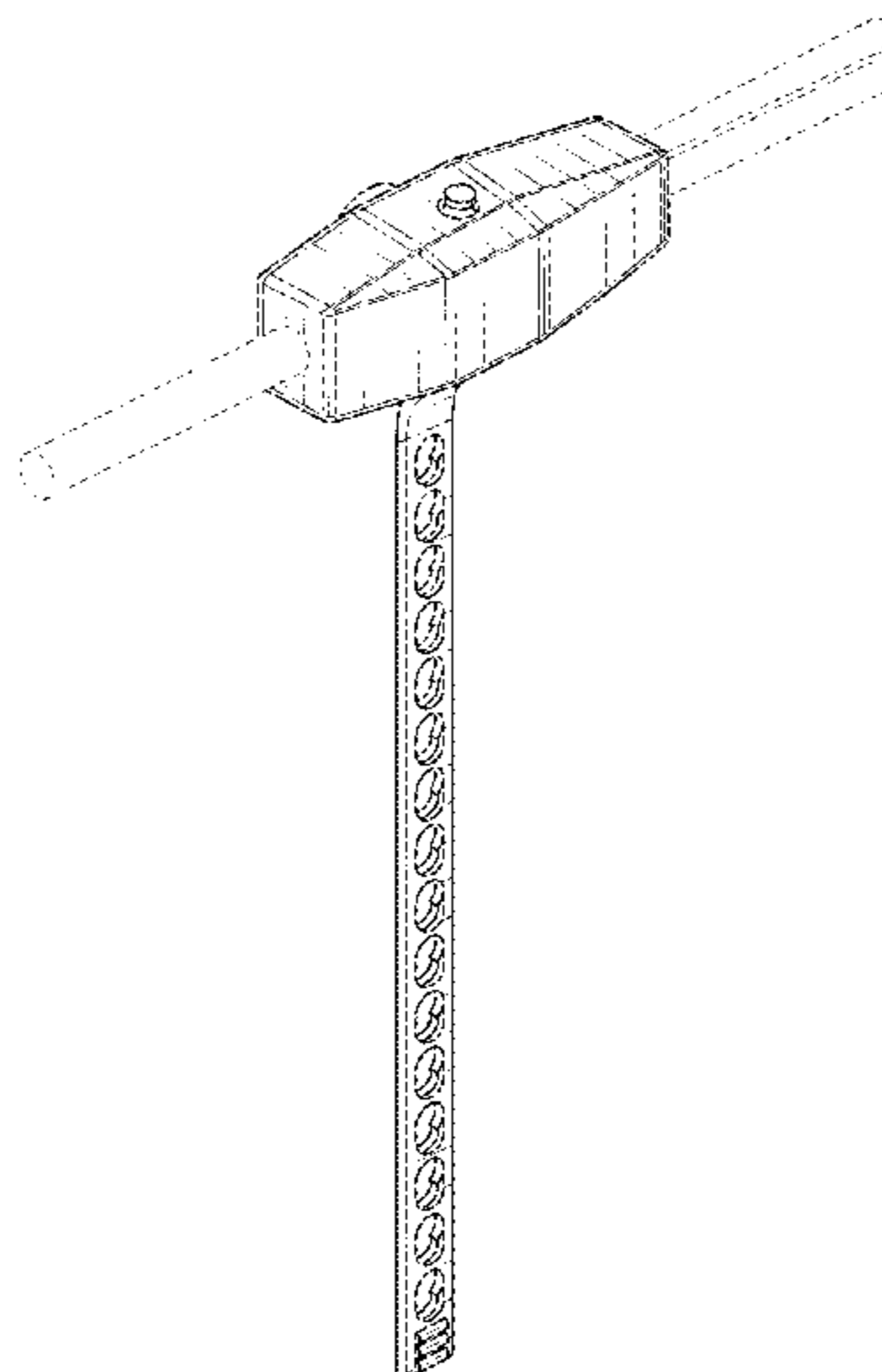
FIG. 5 is a left side view of the thermostat retention member shown in FIG. 1;

FIG. 6 is a top view of the thermostat retention member shown in FIG. 1; and,

FIG. 7 is a bottom view of the thermostat retention member shown in FIG. 1.

The broken line disclosure represents portions of the thermostat retention member which forms no part of the claimed design.

1 Claim, 5 Drawing Sheets



(56)

References Cited

U.S. PATENT DOCUMENTS

D372,462 S * 8/1996 Shimirak 13/153
5,733,138 A * 3/1998 Kramer H01R 13/6392
439/369
D417,387 S * 12/1999 Kim D8/382
D429,458 S * 8/2000 Shock D8/373
D472,135 S * 3/2003 Labbe D8/394
D538,630 S * 3/2007 Sergi D8/354
D578,521 S * 10/2008 Sergi D14/238
D580,748 S * 11/2008 Polak D8/394
7,484,990 B1 * 2/2009 Lee H01R 13/585
439/369
D670,996 S * 11/2012 Rogers D8/363
D688,957 S * 9/2013 Rossano D10/57
D782,928 S * 4/2017 Takakuwa 10/103
D782,929 S * 4/2017 Takakuwa 10/103
D782,930 S * 4/2017 Takakuwa 10/103
D782,931 S * 4/2017 Takakuwa 10/103
D783,614 S * 4/2017 Hao D14/388
D848,954 S * 5/2019 Chadbourne 13/154
D852,651 S * 7/2019 Basu D10/52
D889,253 S * 7/2020 Makino D8/394
2014/0235119 A1 * 8/2014 Zaurrini H01R 13/6392
439/892
2017/0284870 A1 10/2017 Golden et al.
2020/0406840 A1 * 12/2020 Egami H02G 3/30

* cited by examiner

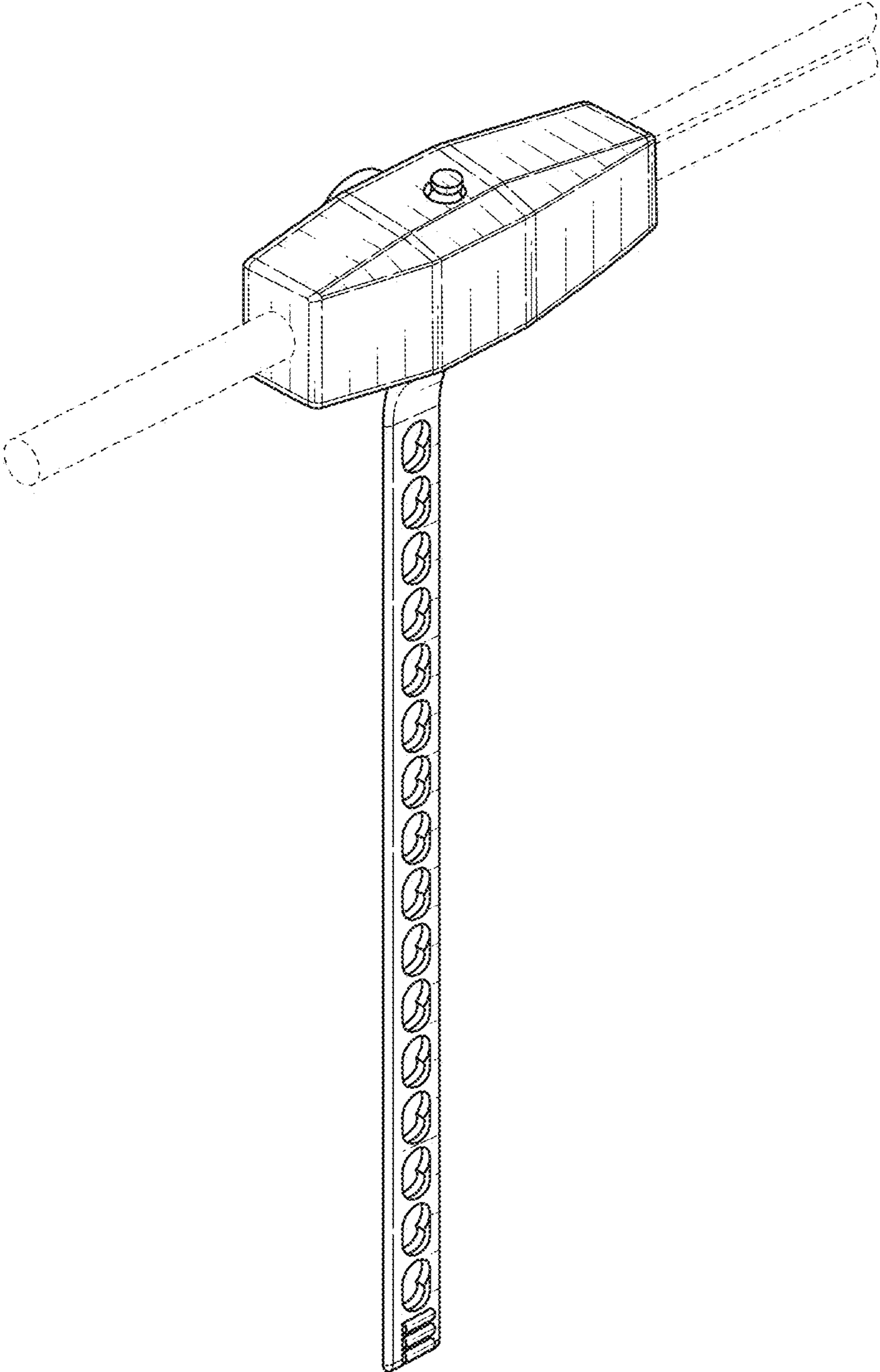


FIG. 1

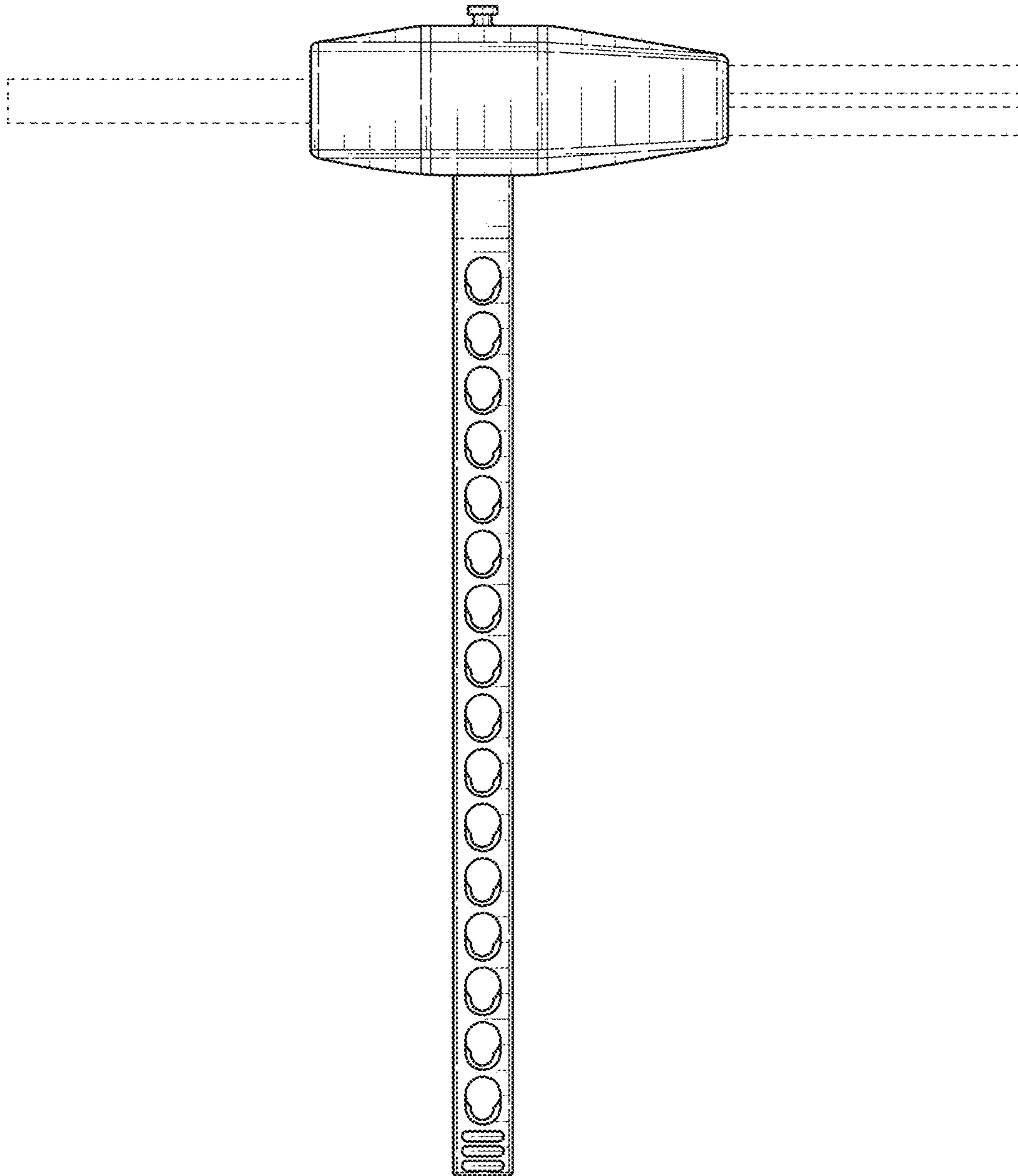


FIG. 2

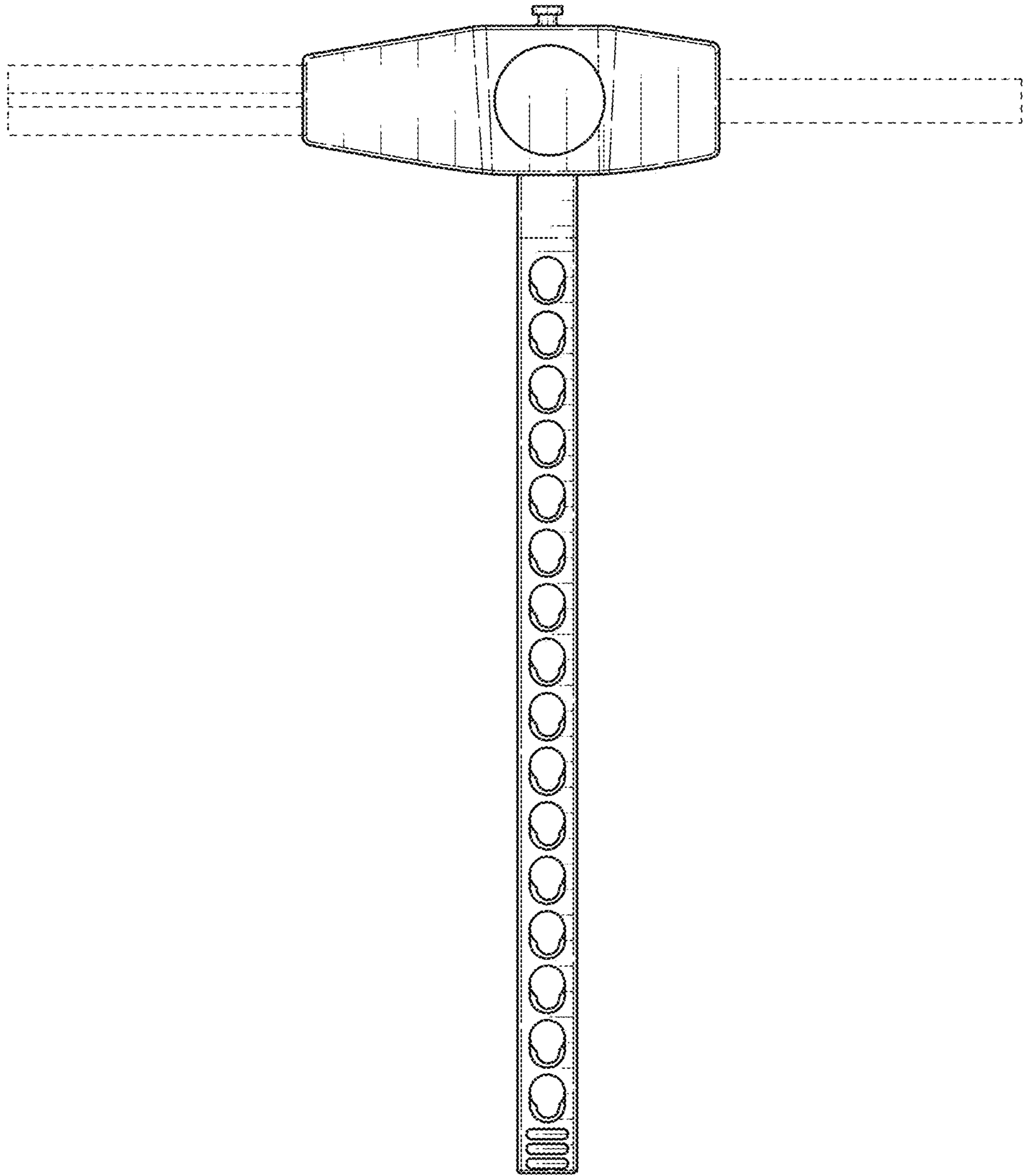


FIG. 3

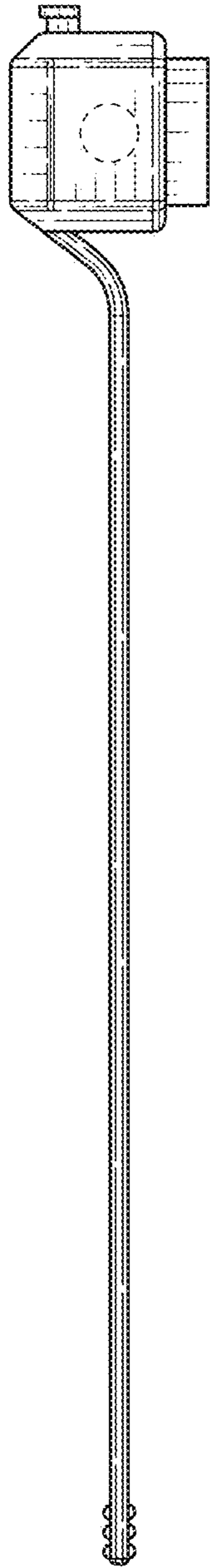


FIG. 4

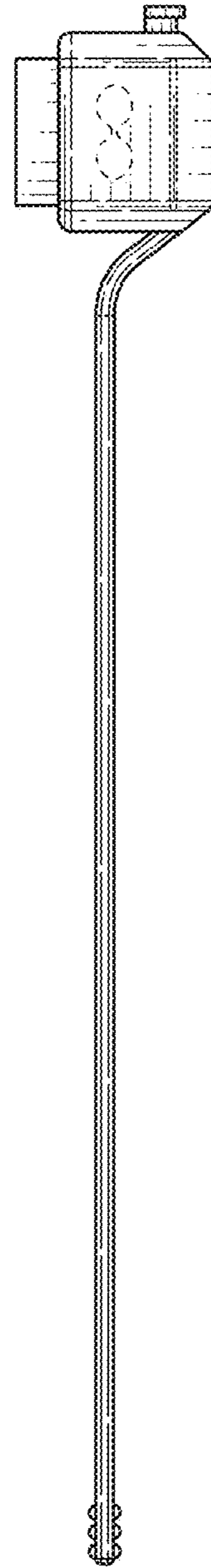


FIG. 5

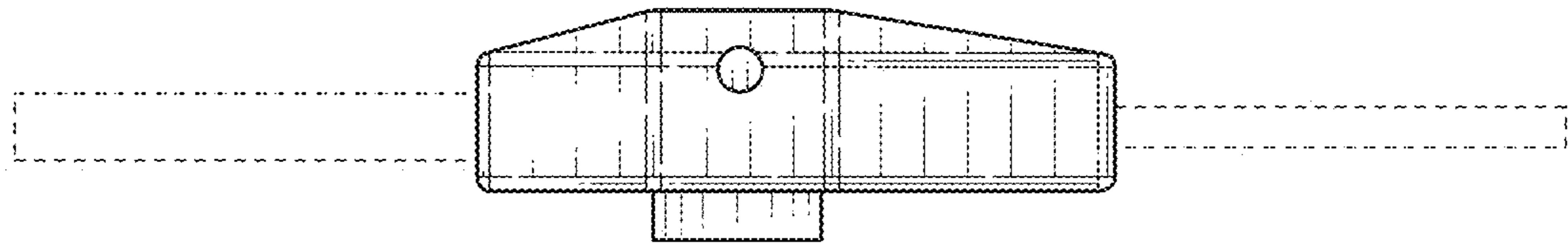


FIG. 6

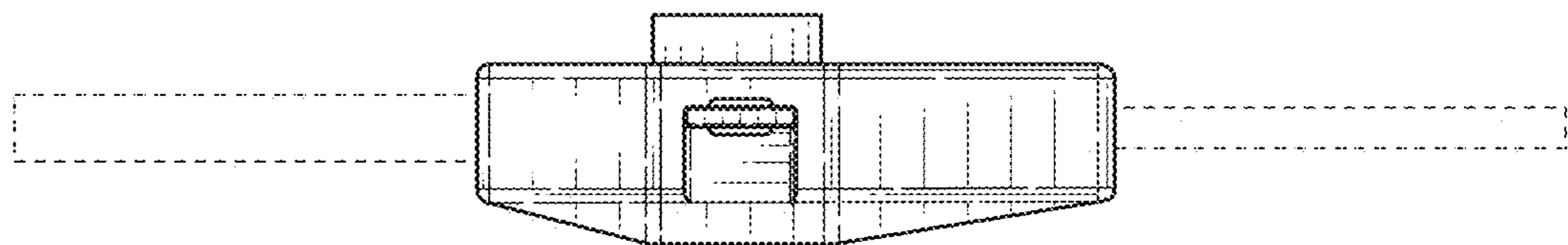


FIG. 7