



US00D920821S

(12) **United States Design Patent**
Roh et al.

(10) **Patent No.:** **US D920,821 S**

(45) **Date of Patent:** **** Jun. 1, 2021**

(54) **SENSING BAR FOR WATER PURIFIER**

D891,960 S * 8/2020 Angus G01L 19/0023
D10/96

(71) Applicant: **LG ELECTRONICS INC.**, Seoul
(KR)

D894,764 S * 9/2020 Nakamura D10/56
D898,598 S * 10/2020 Roth D10/101

(72) Inventors: **Hyoungwon Roh**, Seoul (KR);
Heesang Yoon, Seoul (KR)

* cited by examiner

(73) Assignee: **LG ELECTRONICS INC.**, Seoul
(KR)

Primary Examiner — George D. Kirschbaum

(74) *Attorney, Agent, or Firm* — Birch, Stewart, Kolasch
& Birch LLP

(**) Term: **15 Years**

(57) **CLAIM**

(21) Appl. No.: **35/508,510**

The ornamental design for a sensing bar for water purifier,
as shown and described.

(22) Filed: **Jul. 22, 2019**

DESCRIPTION

(80) **Hague Agreement Data**

Int. Filing Date: **Jul. 22, 2019**

1. Sensing bar for water purifier

Int. Reg. No.: **DM/205567**

1.1 : Perspective

Int. Reg. Date: **Jul. 22, 2019**

1.2 : Front

Int. Reg. Pub. Date: **Feb. 7, 2020**

1.3 : Back

1.4 : Left

(51) **LOC (13) Cl.** **10-04**

1.5 : Right

(52) **U.S. Cl.**

1.6 : Top

USPC **D10/96**

1.7 : Bottom

(58) **Field of Classification Search**

1.8 : Reference

USPC D10/96, 101, 52, 56

1.9 : Enlarged

CPC G01F 1/68; G01L 19/0023

1.10 : Enlarged

See application file for complete search history.

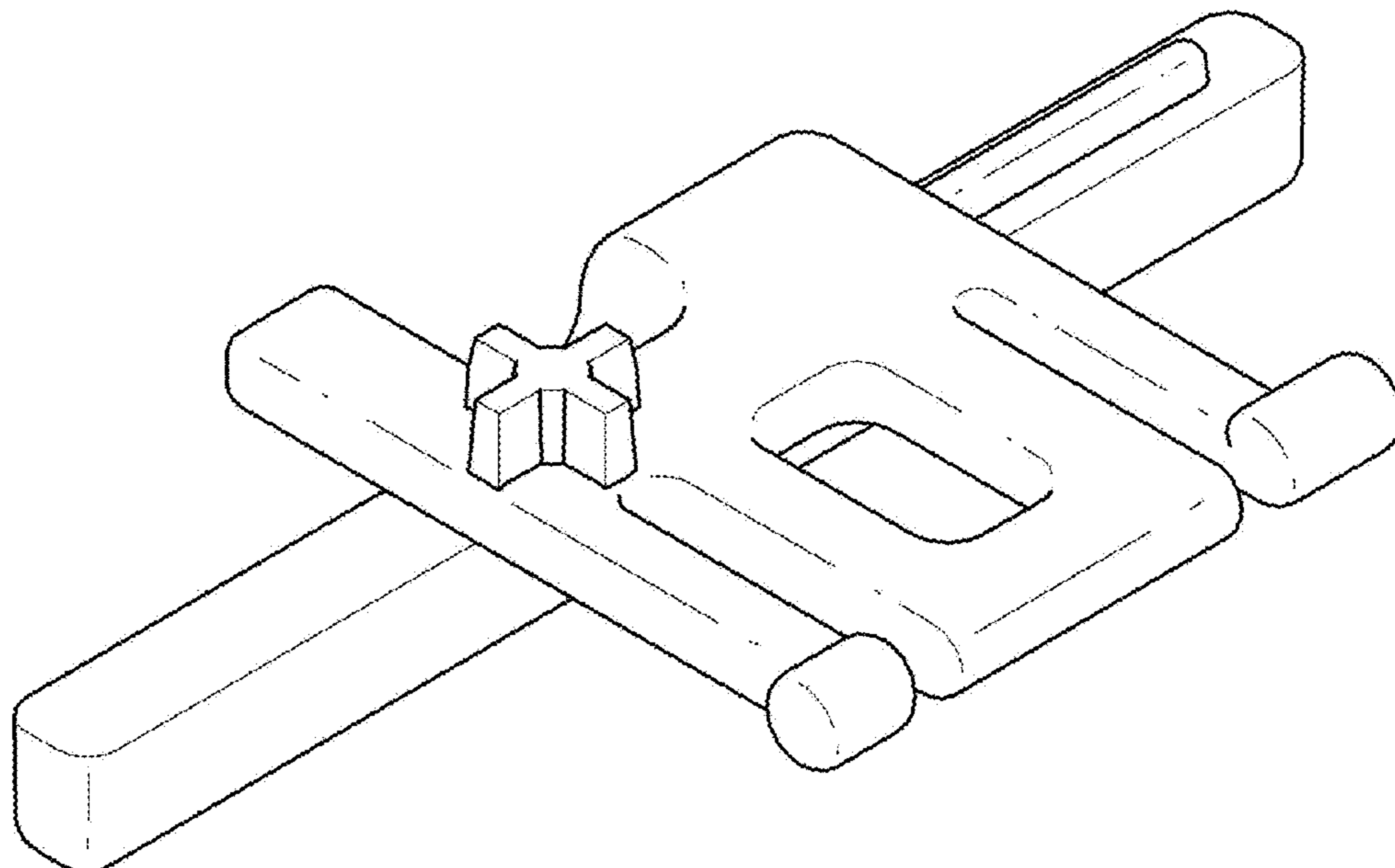
Reproduction **1.8** is a reference view indicating an enlarged
portion in the water purifier with the subject design; repro-
duction **1.9** and **1.10** are reference views showing the
enlarged view of the subject design installed on the water
purifier taken from the bottom and the enlarged cross-
sectional view of the water purifier with the subject design,
respectively; the broken lines showing a water purifier and
the circles represented by the dot-dashed line in reproduc-
tion **1.8** to **1.10** form no part of the claimed design.

(56) **References Cited**

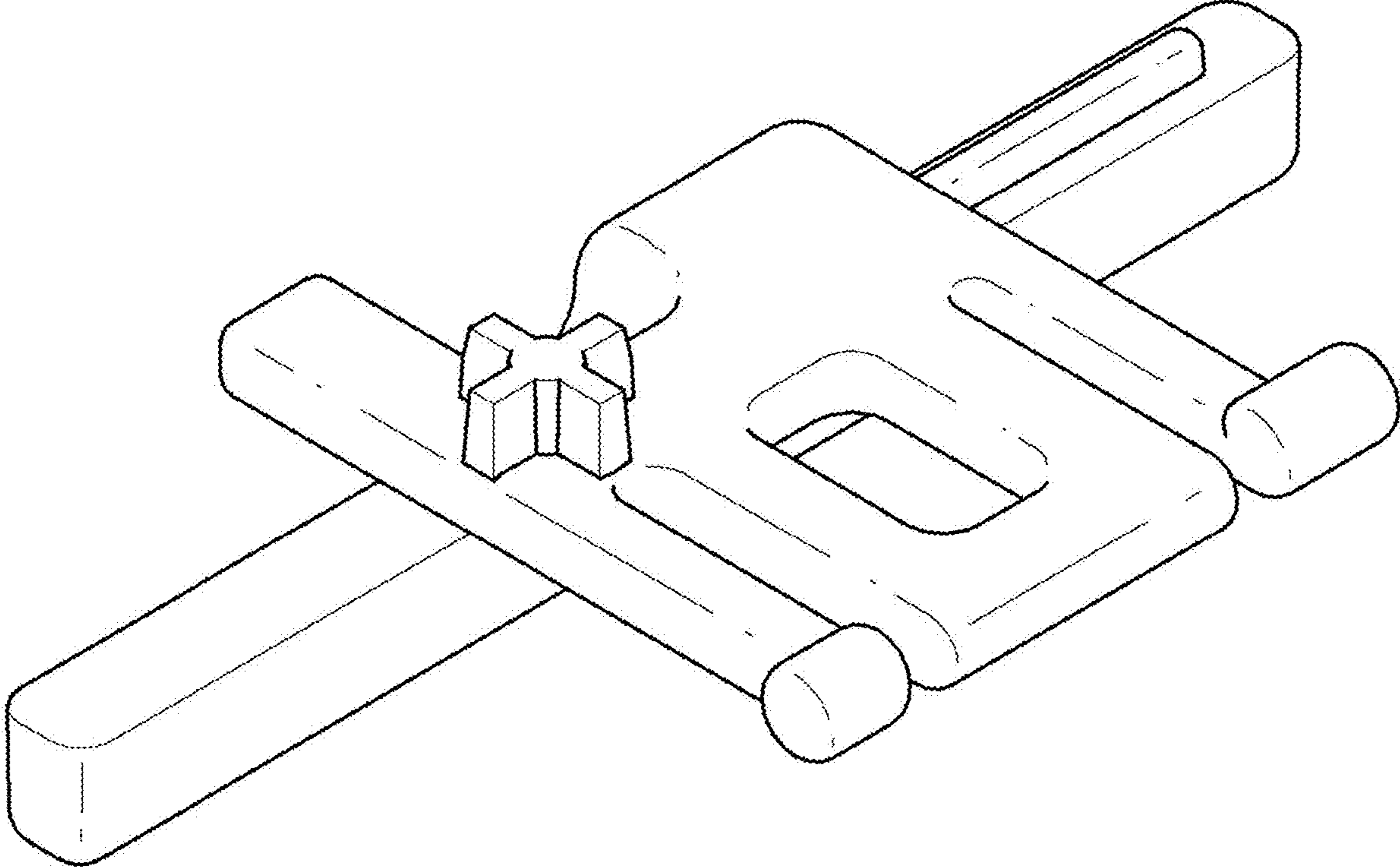
U.S. PATENT DOCUMENTS

- D732,991 S * 6/2015 Paulen D10/96
- 9,273,986 B2 * 3/2016 Lange G01F 1/68
- D814,325 S * 4/2018 Little, III D10/96
- D867,913 S * 11/2019 Hietala D10/96
- D871,946 S * 1/2020 Kleemann D10/96
- D878,943 S * 3/2020 Mess D10/96

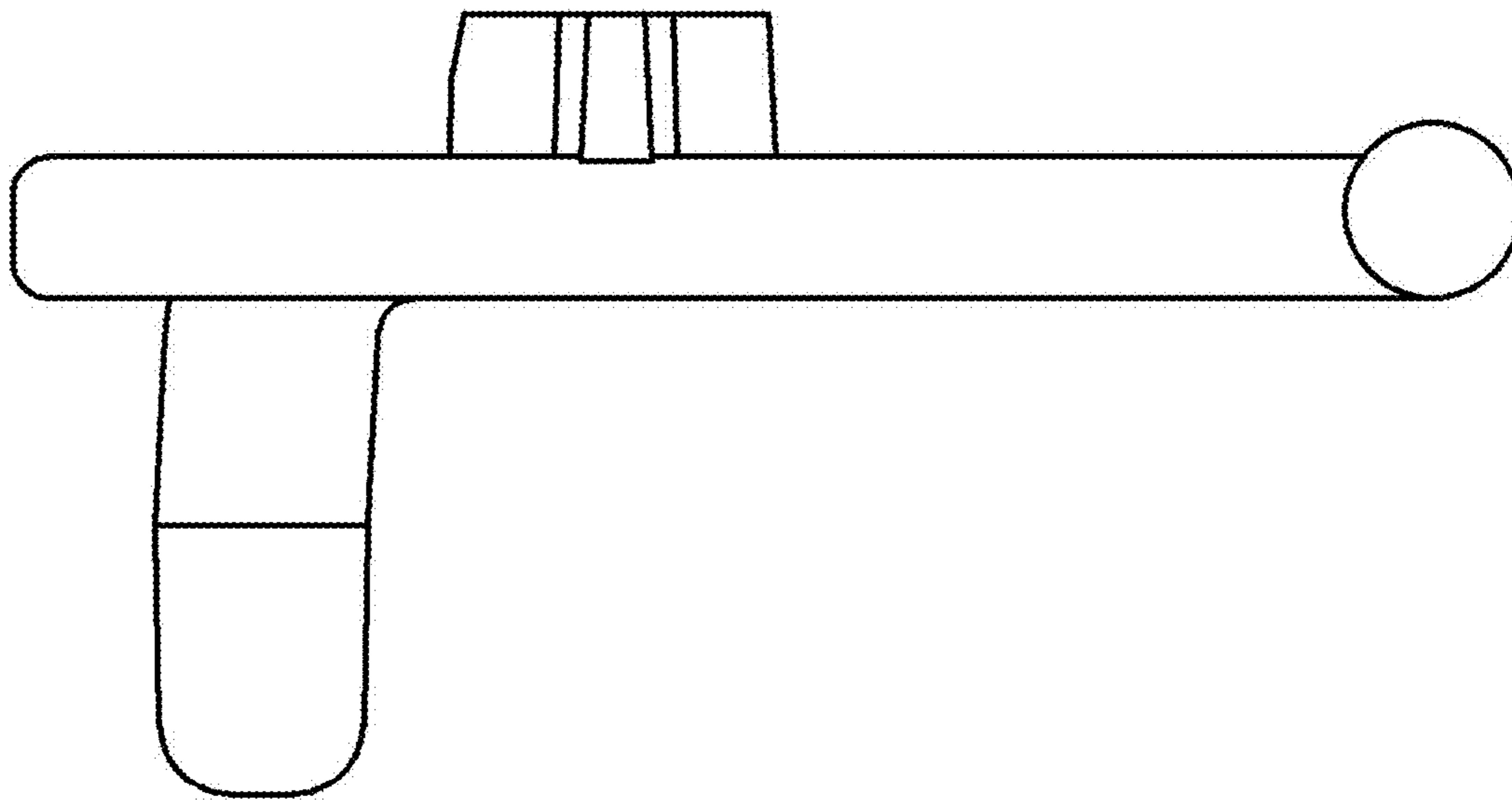
1 Claim, 10 Drawing Sheets



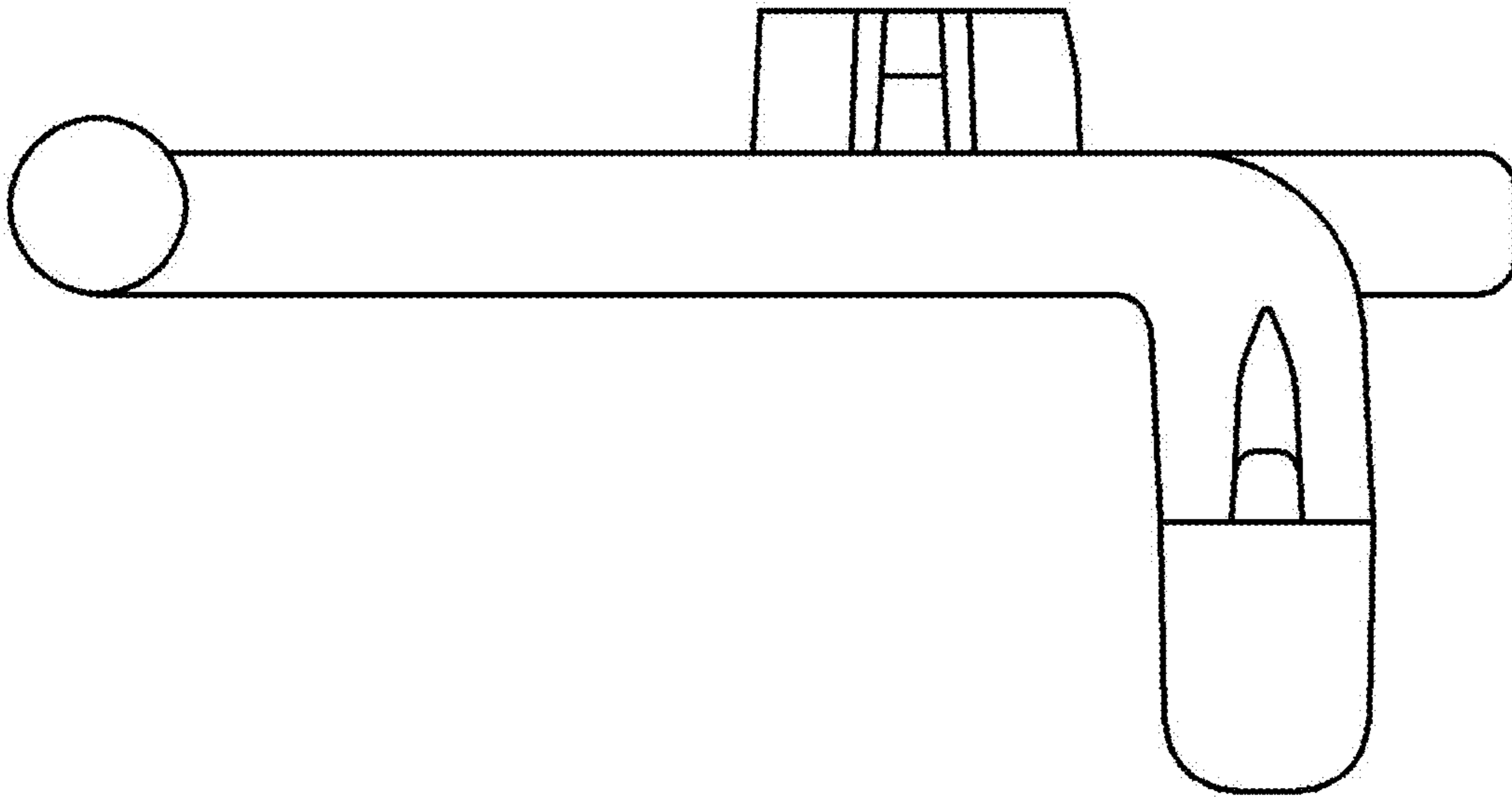
1.1



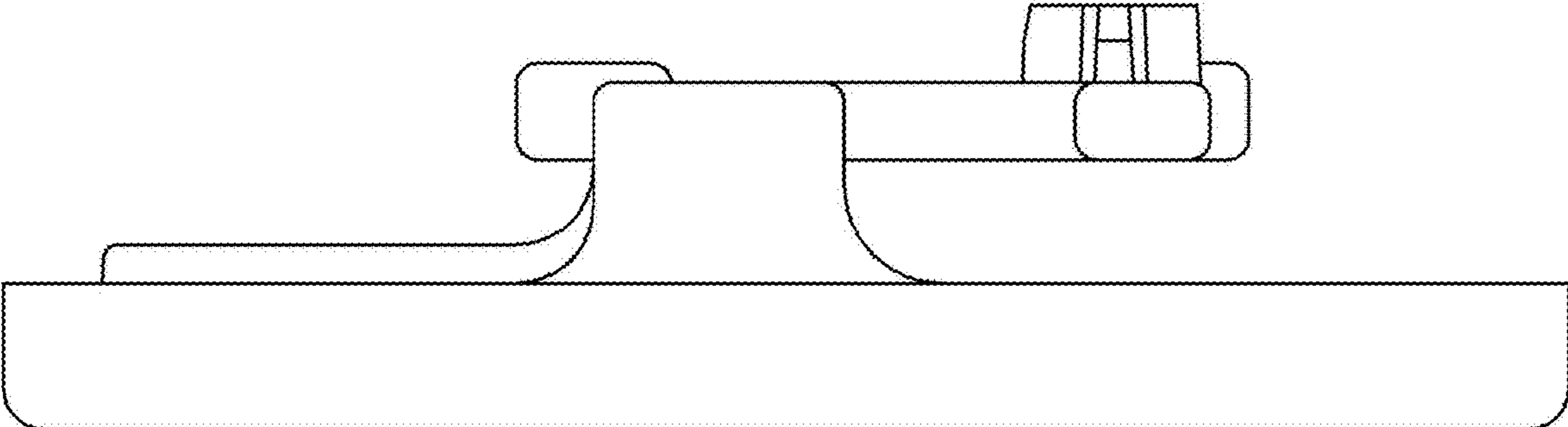
1.2



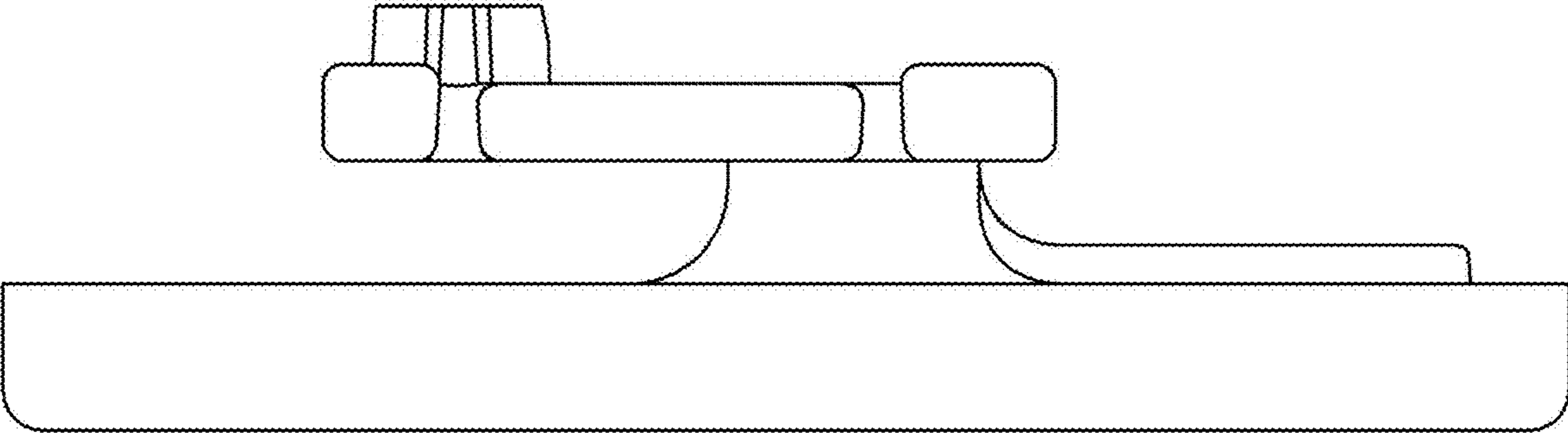
1.3



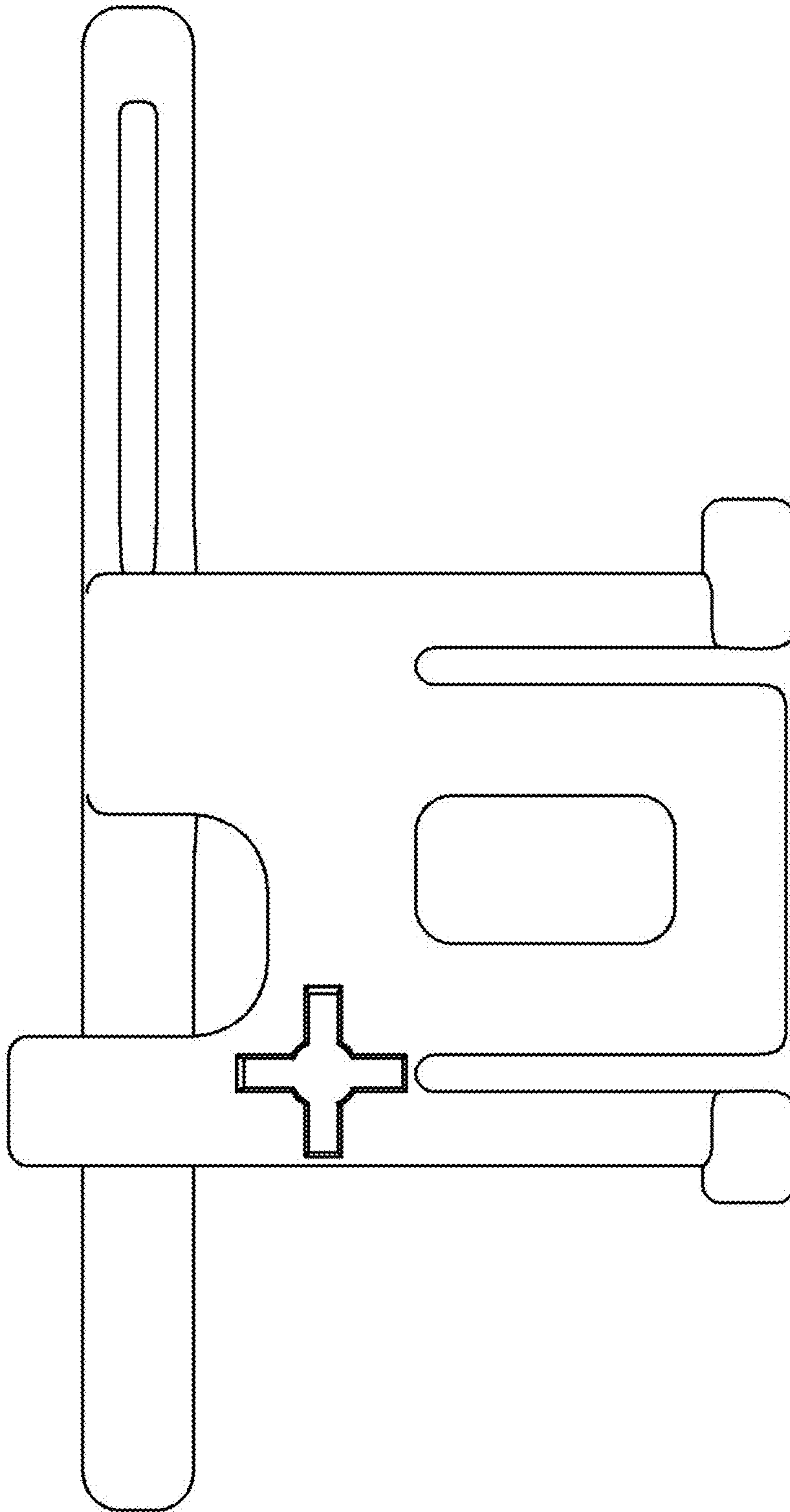
1.4



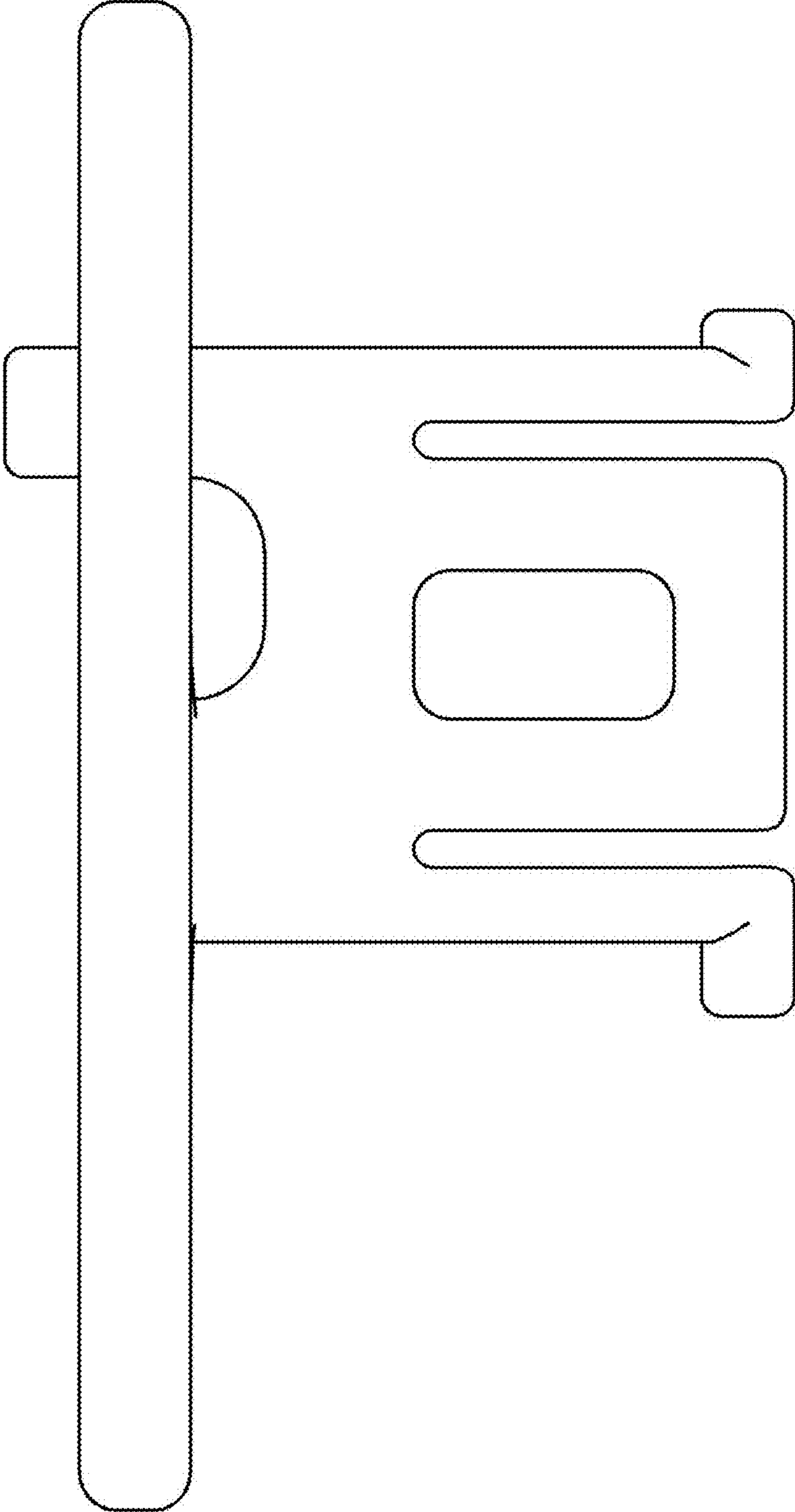
1.5



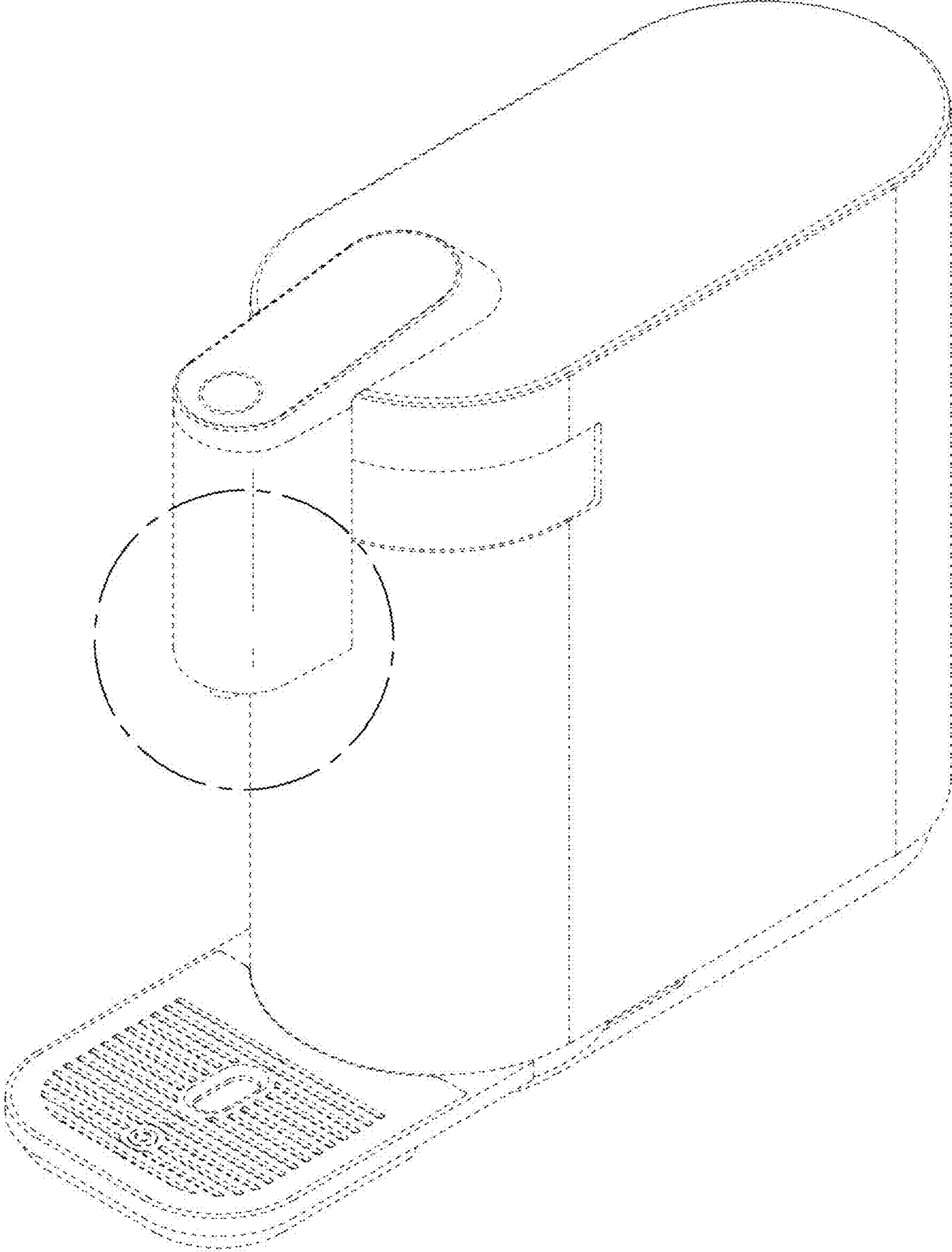
1.6



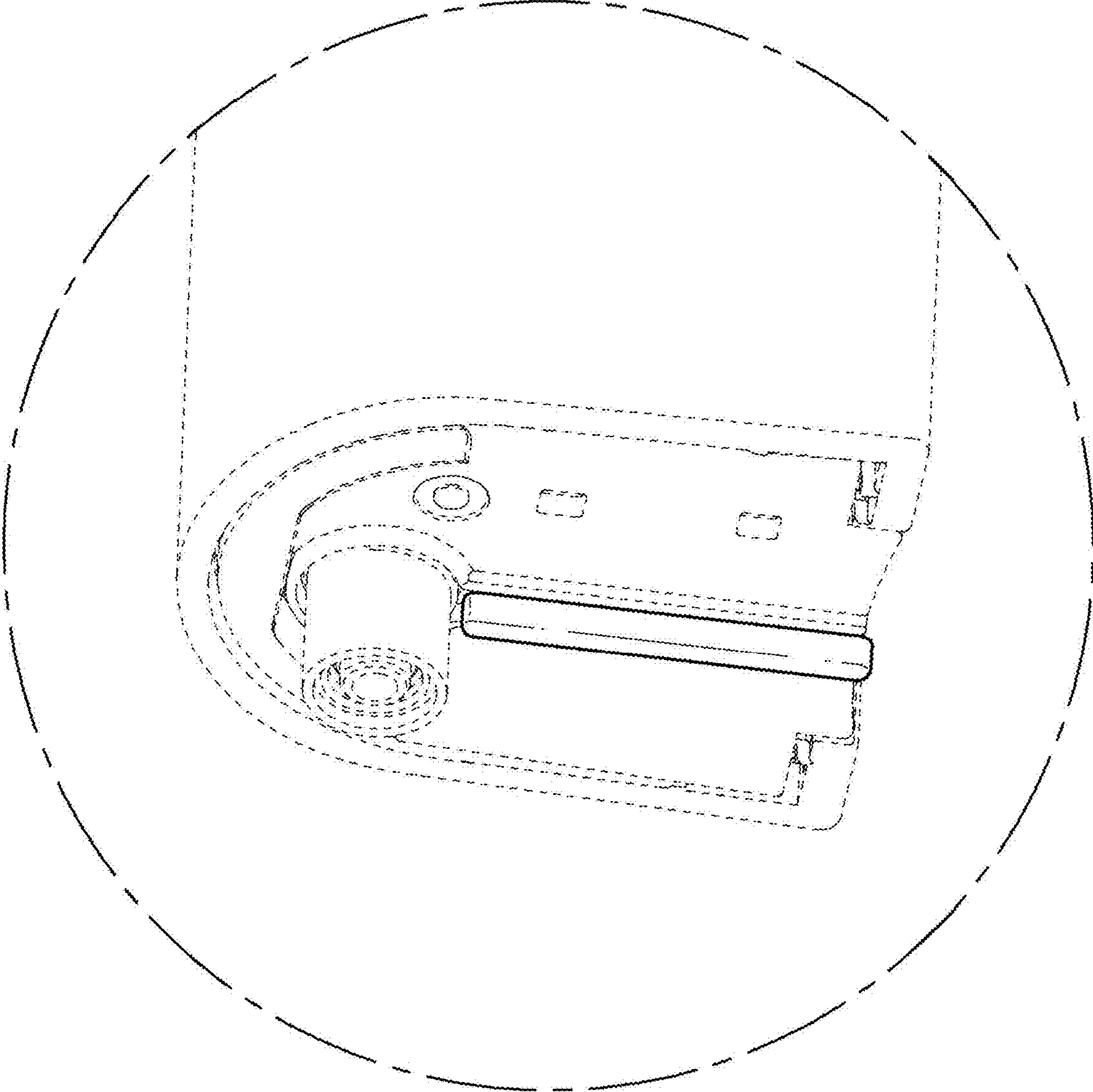
1.7



1.8



1.9



1.10

