



US00D920820S

(12) **United States Design Patent**
Matsumoto et al.

(10) **Patent No.:** **US D920,820 S**
(45) **Date of Patent:** **** Jun. 1, 2021**

- (54) **TESTING DEVICE**
- (71) Applicant: **KOKUSAI KEISOKUKI KABUSHIKI KAISHA**, Tokyo (JP)
- (72) Inventors: **Sigeru Matsumoto**, Tokyo (JP);
Hiroshi Miyashita, Tokyo (JP);
Kazuyoshi Tashiro, Kanagawa (JP);
Kazuhiro Murauchi, Tokyo (JP)
- (73) Assignee: **KOKUSAI KEISOKUKI KABUSHIKI KAISHA**, Tama (JP)

D712,447 S	9/2014	He et al.
D787,695 S	5/2017	Mottscheller
D796,360 S	9/2017	Schulz et al.
D801,202 S	10/2017	Johnston
D823,149 S	7/2018	Schulze
10,156,586 B2	12/2018	Adams et al.
D840,847 S	2/2019	Doi et al.
10,209,272 B2	2/2019	Li et al.
D842,726 S	3/2019	Weaver et al.
D847,676 S	5/2019	Matsumiya et al.
D848,882 S	5/2019	Matsumiya et al.
D848,883 S	5/2019	Matsumiya et al.
D869,969 S	12/2019	Matsumoto et al.
D881,730 S *	4/2020	Matsumoto D10/82

(**) Term: **15 Years**

* cited by examiner

(21) Appl. No.: **29/722,240**

Primary Examiner — Richard E Chilcot

(22) Filed: **Jan. 28, 2020**

(74) *Attorney, Agent, or Firm* — Oliff PLC

Related U.S. Application Data

(62) Division of application No. 35/505,963, filed on May 2, 2018 (U.S. filing date under 35 U.S.C. 384), and having an international filing date of May 2, 2018, now Pat. No. Des. 881,730.

(57) **CLAIM**

The ornamental design for a testing device, as shown and described.

(51) **LOC (13) Cl.** **10-04**

(52) **U.S. Cl.**
USPC **D10/82**
CPC **G01R 1/0416** (2013.01)

DESCRIPTION

(58) **Field of Classification Search**
USPC D10/65, 75, 81–83; D15/199
CPC G01R 1/0416; G01R 1/0466; B01L 1/00
See application file for complete search history.

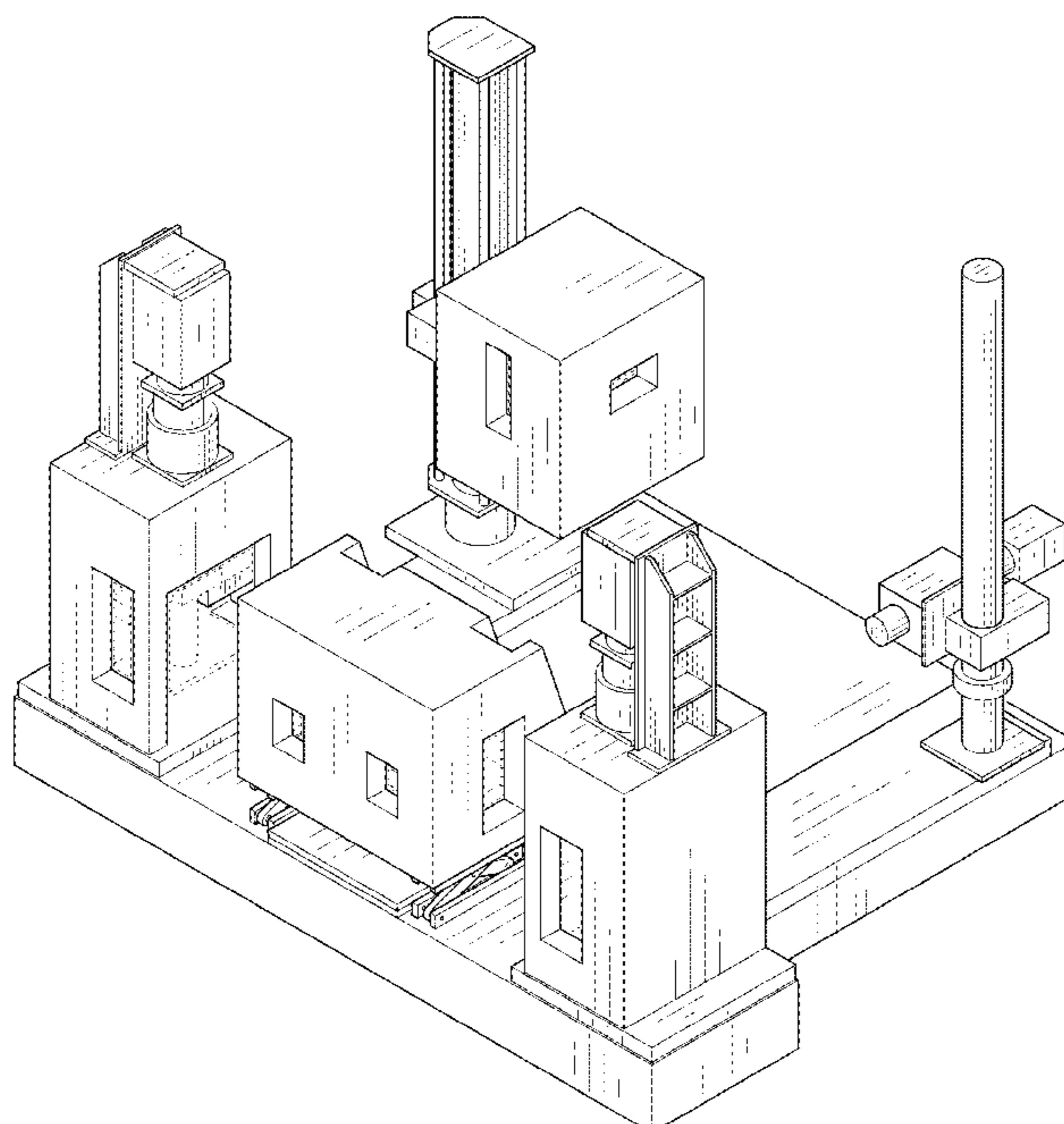
FIG. 1 is a front elevational view of the testing device; FIG. 2 is a rear elevational view thereof; FIG. 3 is a top plan view thereof; FIG. 4 is a left-side elevational view thereof; FIG. 5 is a right-side elevational view thereof; FIG. 6 is a front, top, right perspective view thereof; and, FIG. 7 is a back, top, left perspective view thereof. The evenly spaced broken lines depict unclaimed parts of the testing device and form no part of the claimed design.

(56) **References Cited**

U.S. PATENT DOCUMENTS

- 7,629,533 B2 12/2009 Cole, Sr. et al.
- D638,952 S 5/2011 Oonuma et al.

1 Claim, 7 Drawing Sheets



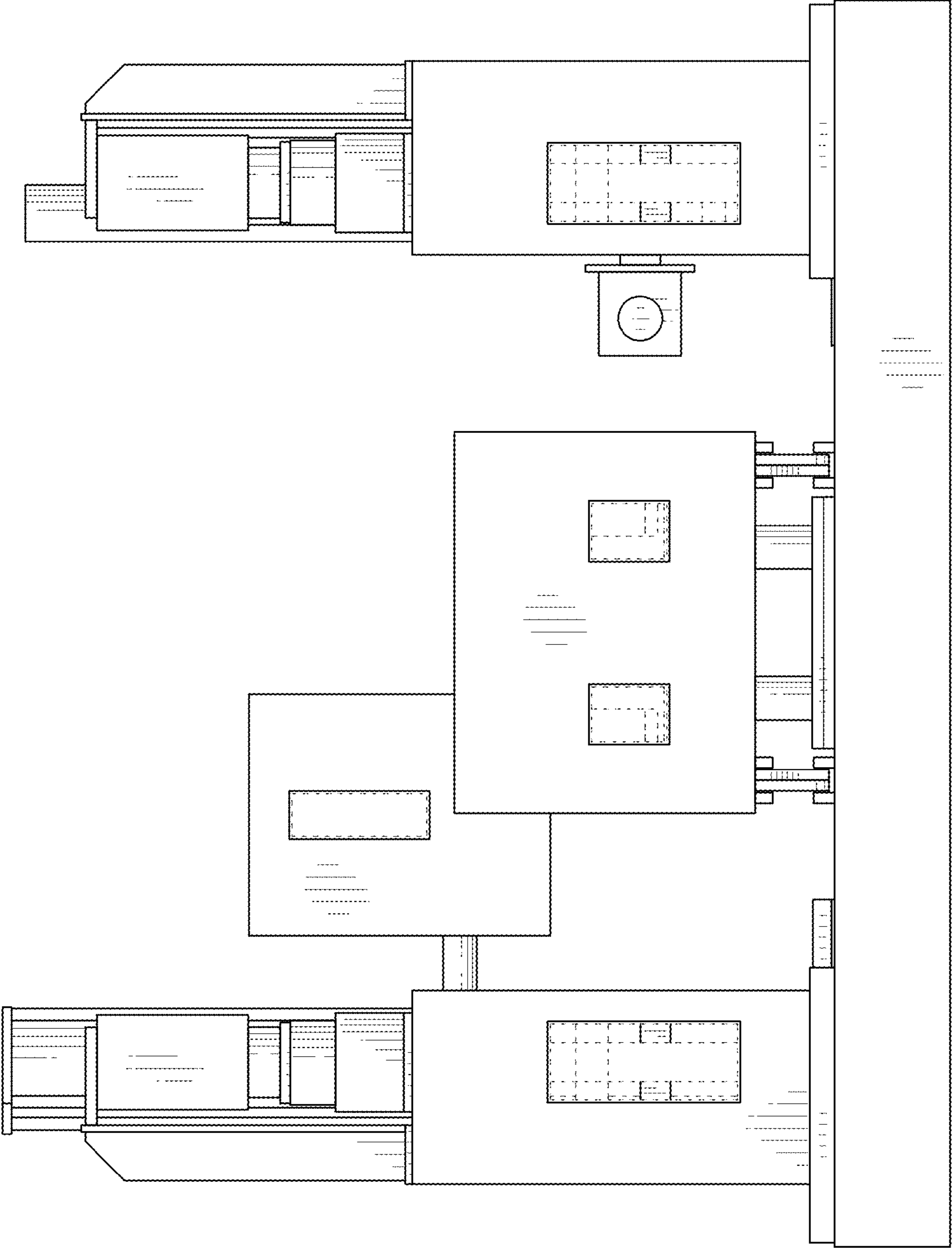


FIG. 1

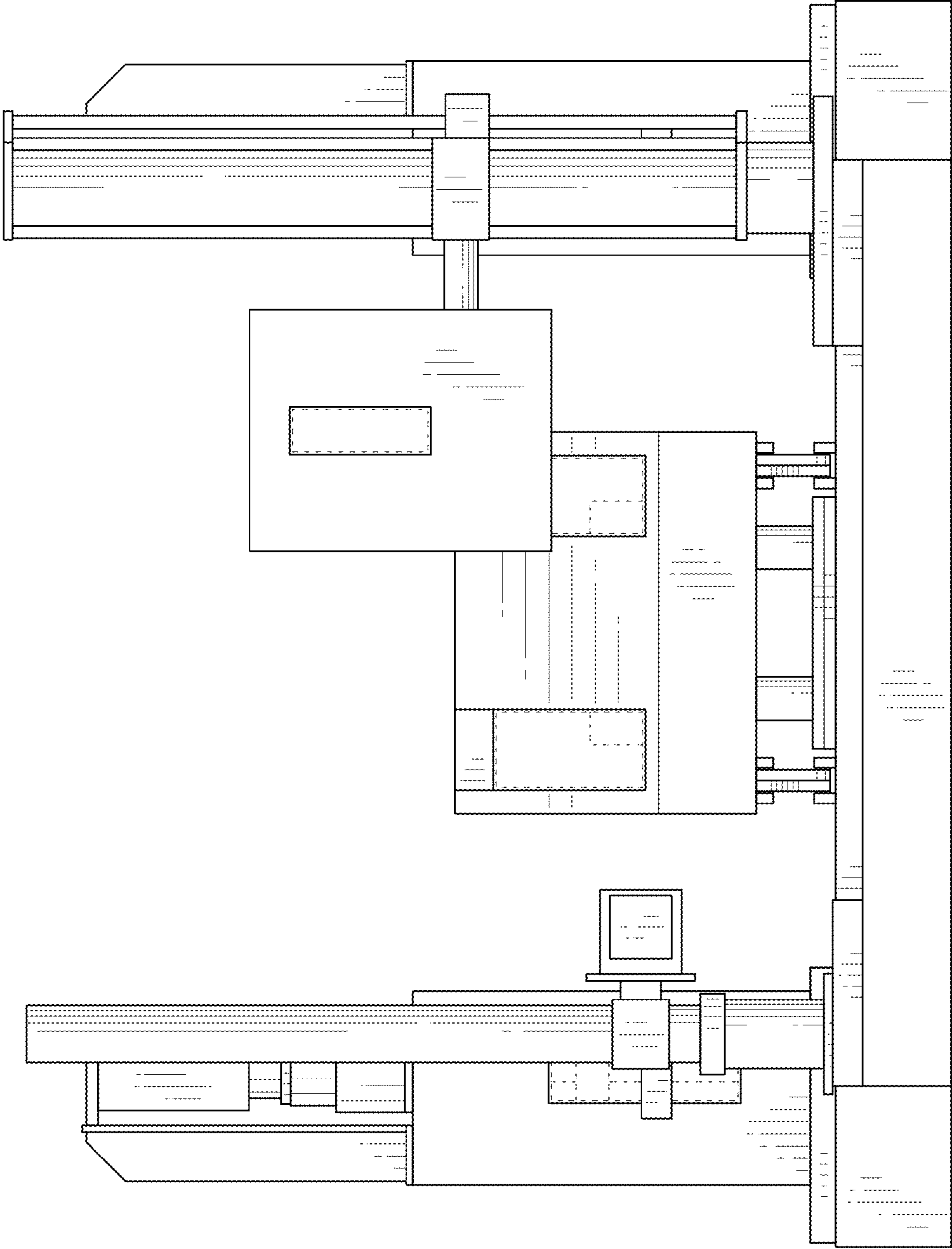


FIG. 2

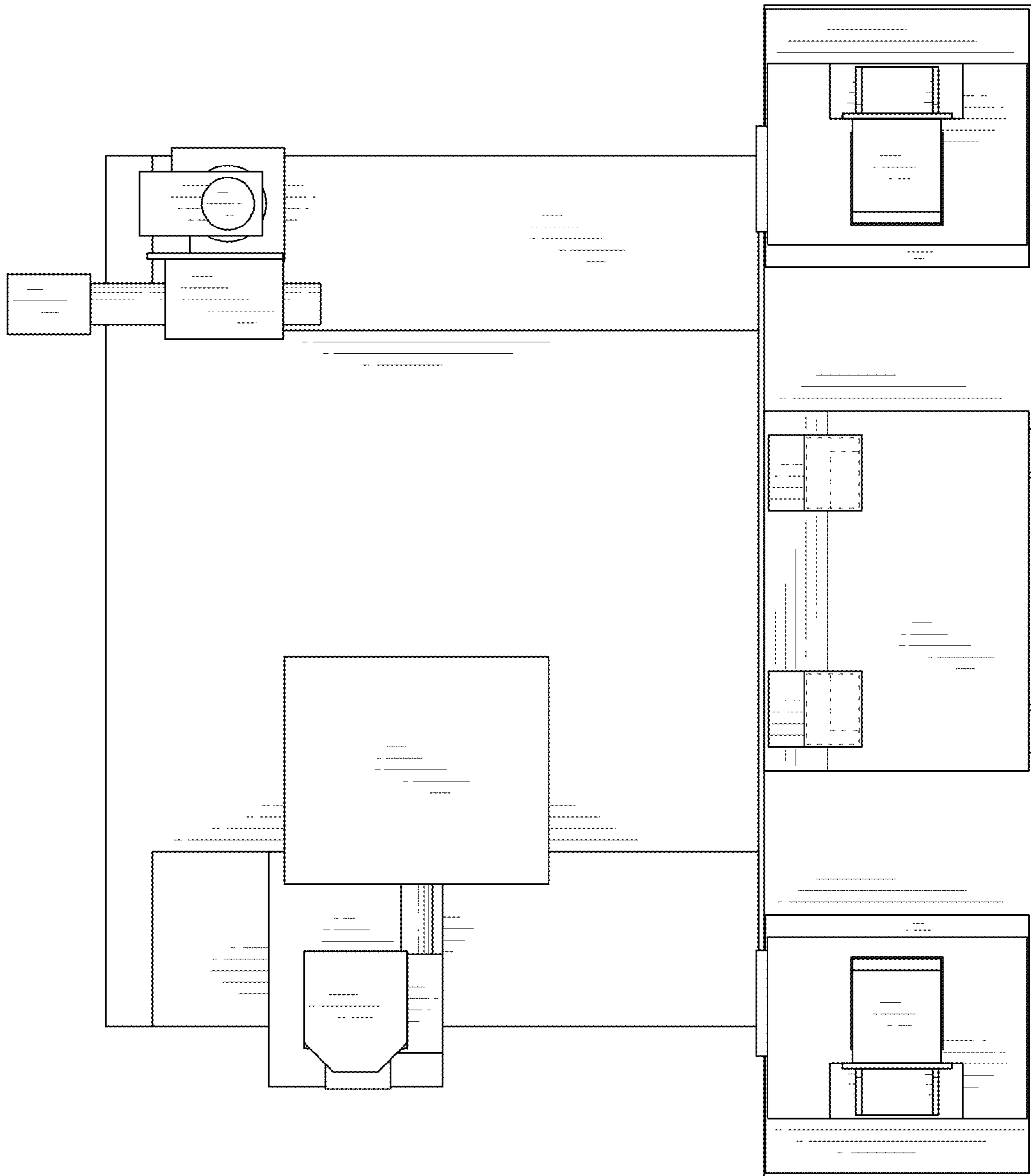


FIG. 3

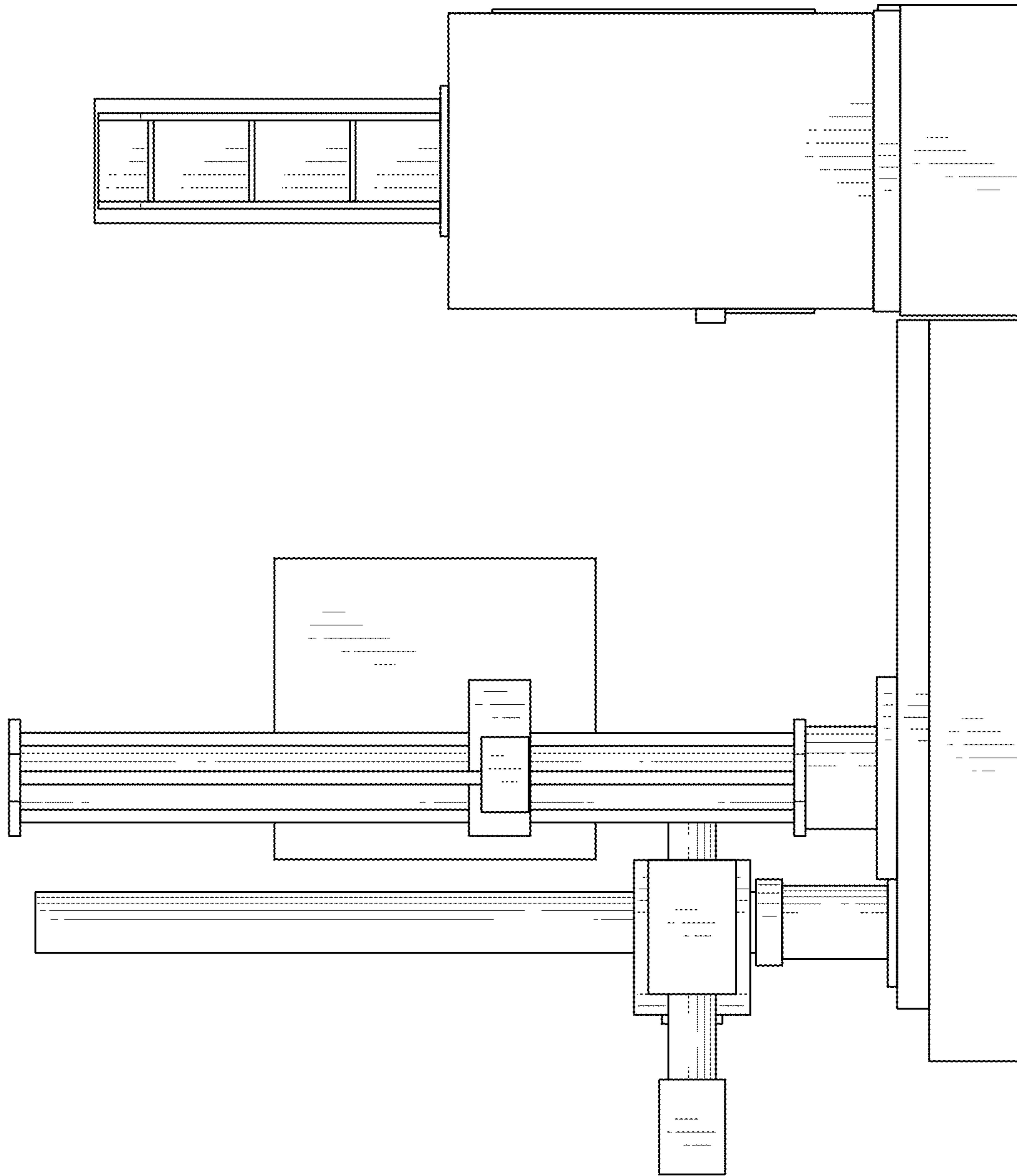


FIG. 4

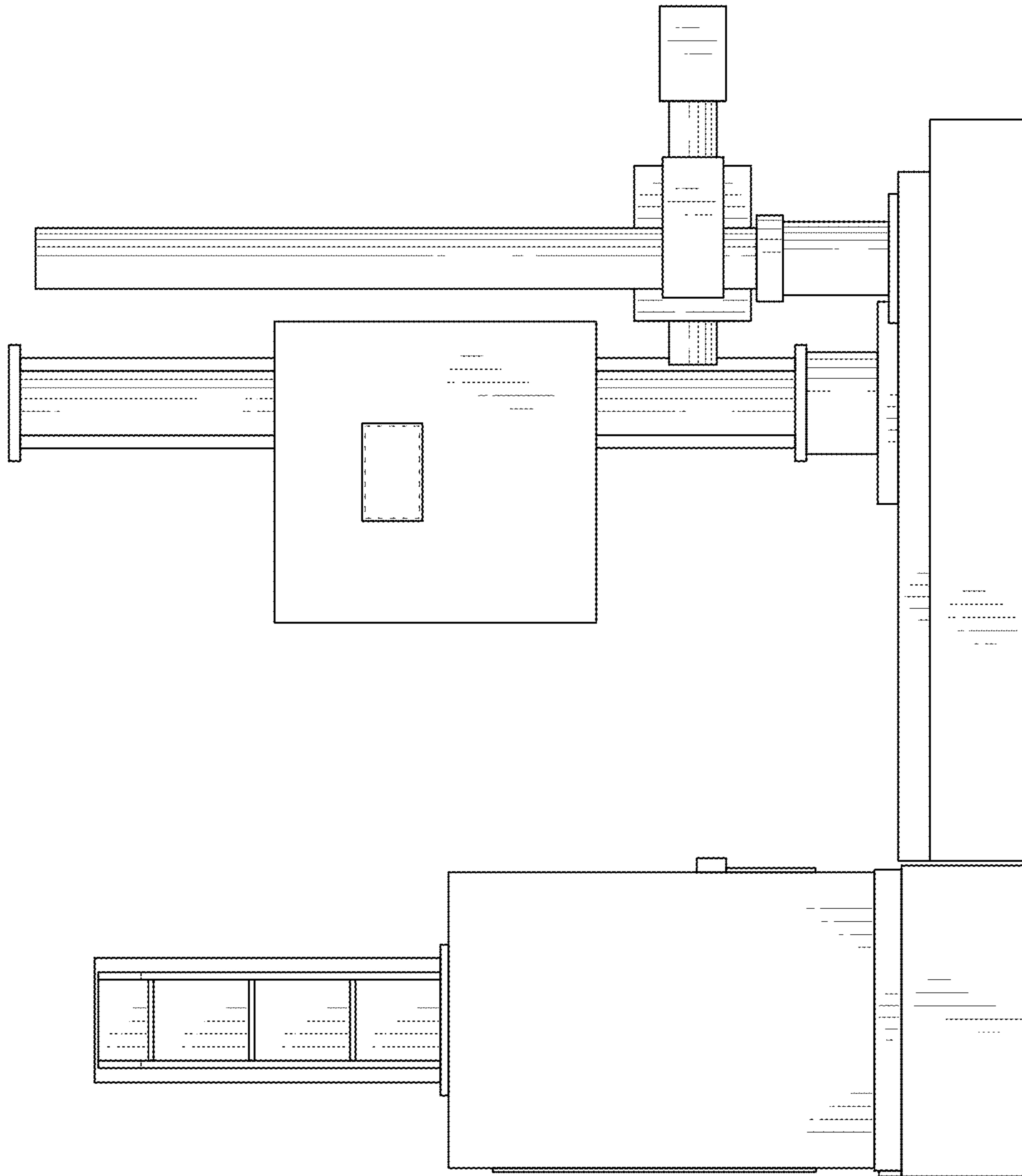


FIG. 5

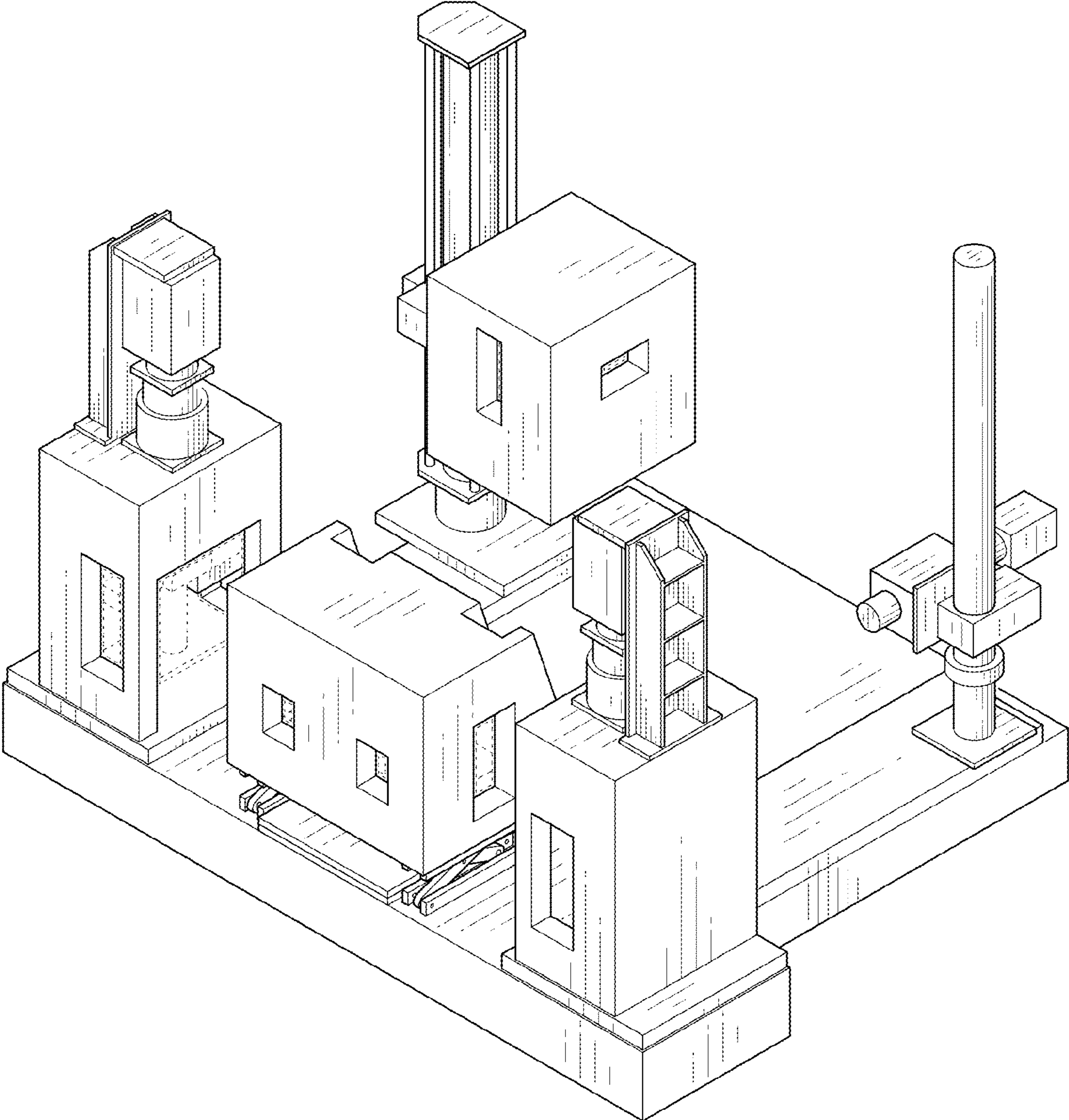


FIG. 6

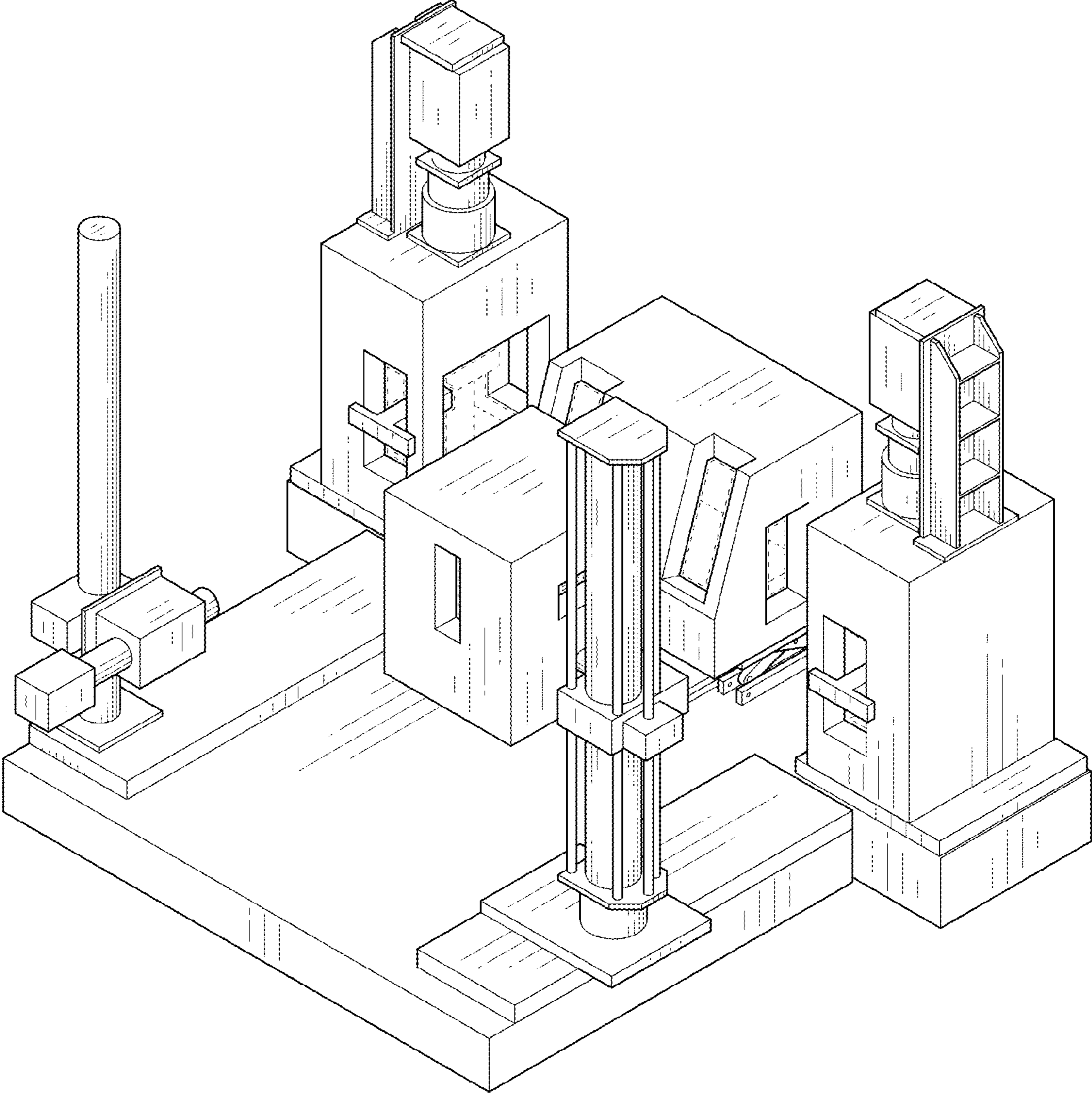


FIG. 7