



US00D920814S

(12) **United States Design Patent**
Bush et al.

(10) **Patent No.:** **US D920,814 S**
(45) **Date of Patent:** **** Jun. 1, 2021**

(54) **CUP ANEMOMETER**

(71) Applicant: **NRG SYSTEMS, INC.**, Hinesburg, VT (US)

(72) Inventors: **Henry B. Bush**, Richmond, VT (US);
Steven H. Clark, Hinesburg, VT (US)

(73) Assignee: **NRG SYSTEMS, INC.**, Hinesburg, VT (US)

(**) Term: **15 Years**

(21) Appl. No.: **29/689,964**

(22) Filed: **May 3, 2019**

(51) **LOC (13) Cl.** **10-04**

(52) **U.S. Cl.**

USPC **D10/59**

(58) **Field of Classification Search**

USPC D10/59

CPC .. F03B 3/121; F03B 3/062; F03B 3/61; F03D 3/061; F03D 3/062; F03D 3/067; F03D 7/06; F03D 7/022; F03D 7/0232; F03D 1/0675; F03D 1/0633; F05B 2240/301; F05B 2240/931; F05B 2240/941; F05B 2240/214; F05B 2240/122; F05B 2250/232; F05B 2250/25; F05B 2260/78; F05B 2260/97; G01P 3/484; G01P 5/07; G01P 5/02; G01P 5/06; G01P 5/16; G01P 13/02

See application file for complete search history.

(56) **References Cited**

U.S. PATENT DOCUMENTS

3,020,963 A * 2/1962 Hakkarinen G01P 5/06
416/196 R
6,895,812 B2 5/2005 Dahlberg

8,443,682 B2 5/2013 Hong
D713,272 S * 9/2014 Barani G01P 13/02
D10/59
9,746,488 B2 * 8/2017 Kriwan G01P 13/02

* cited by examiner

Primary Examiner — Antoine Duval Davis
(74) *Attorney, Agent, or Firm* — Grossman, Tucker, Perreault & Pflieger, PLLC

(57) **CLAIM**

The ornamental design for a cup anemometer, substantially as shown and described.

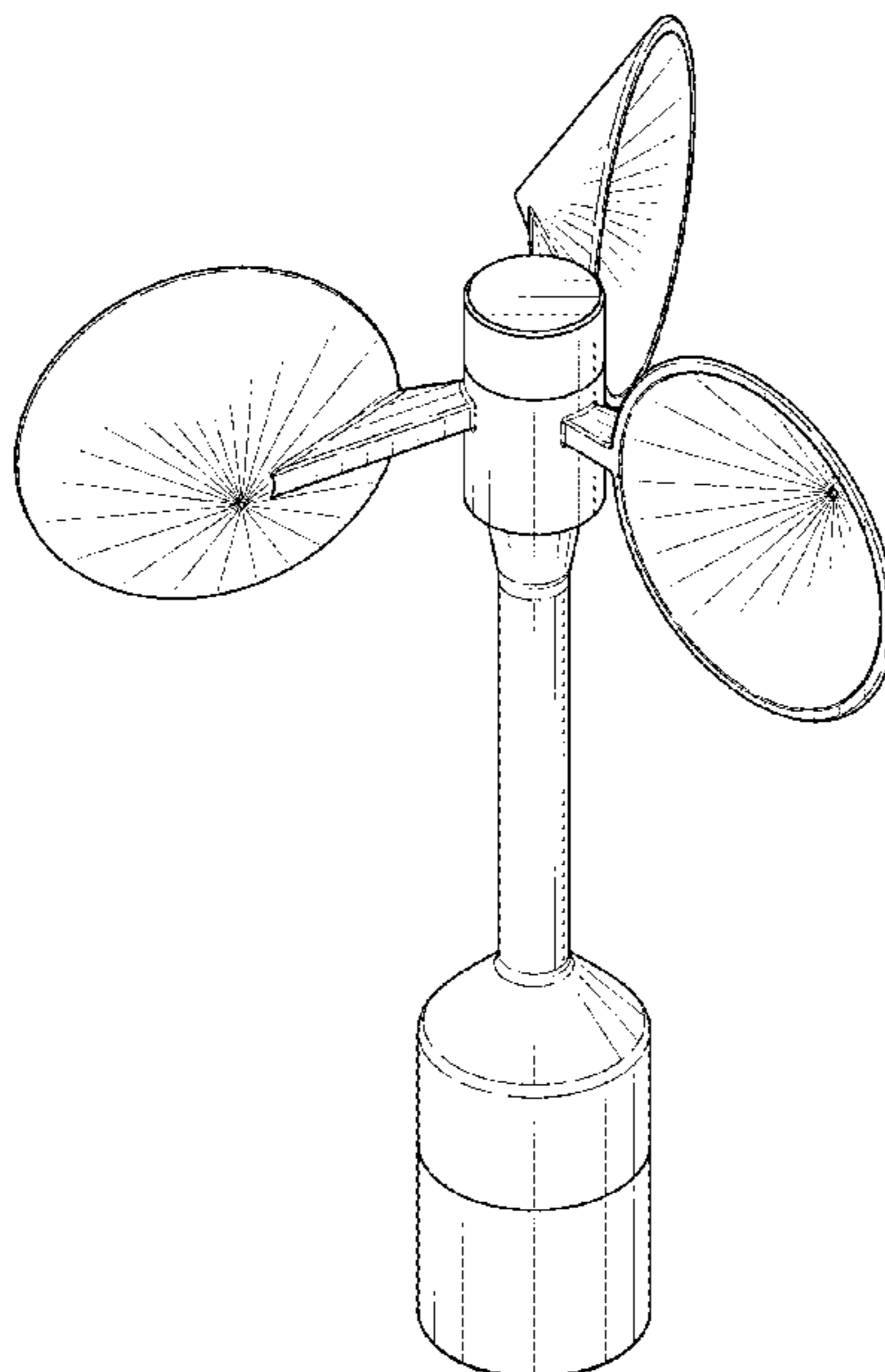
DESCRIPTION

FIG. 1 is a top perspective view of a cup anemometer in accordance with the present invention;
FIG. 2 is a right side view of the cup anemometer shown in FIG. 1;
FIG. 3 is a left side view of the cup anemometer shown in FIG. 1;
FIG. 4 is a front view of the cup anemometer shown in FIG. 1;
FIG. 5 is a back view of the cup anemometer shown in FIG. 1;
FIG. 6 is a top view of the cup anemometer shown in FIG. 1; and,
FIG. 7 is a bottom view of the cup anemometer shown in FIG. 1.

In general, the invention pertains to an ornamental design for an article of manufacture. The article of manufacture can vary widely and can be scaled to different sizes depending on the article of manufacture. In one embodiment, as indicated above, the article of manufacture is a cup anemometer or component thereof. In another embodiment, the article of manufacture is a novelty item, such as a toy.

The features shown in broken lines in the various Figures are for illustrating the environmental structure and form no part of the claimed design.

1 Claim, 6 Drawing Sheets



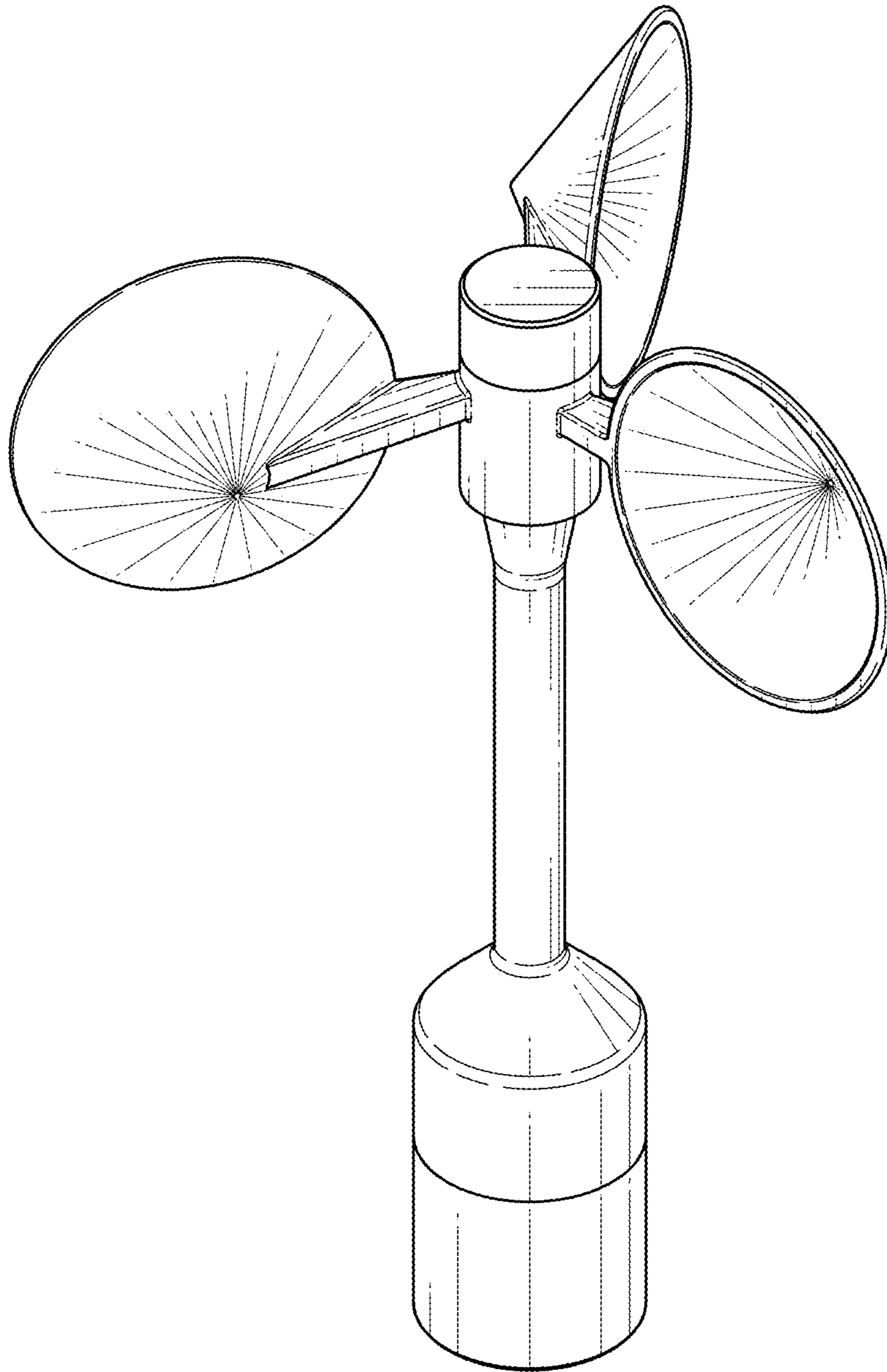


FIG. 1

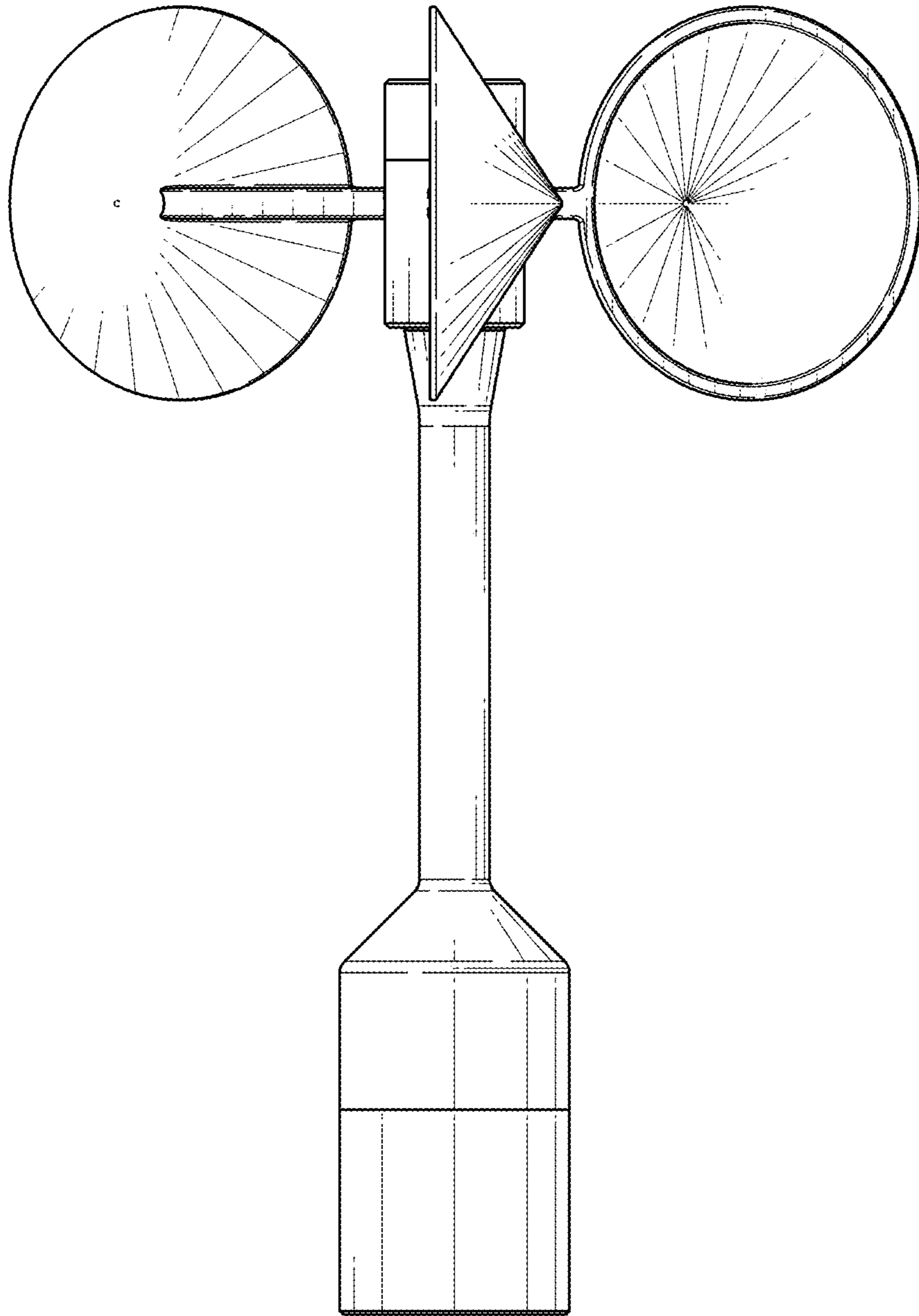


FIG. 2

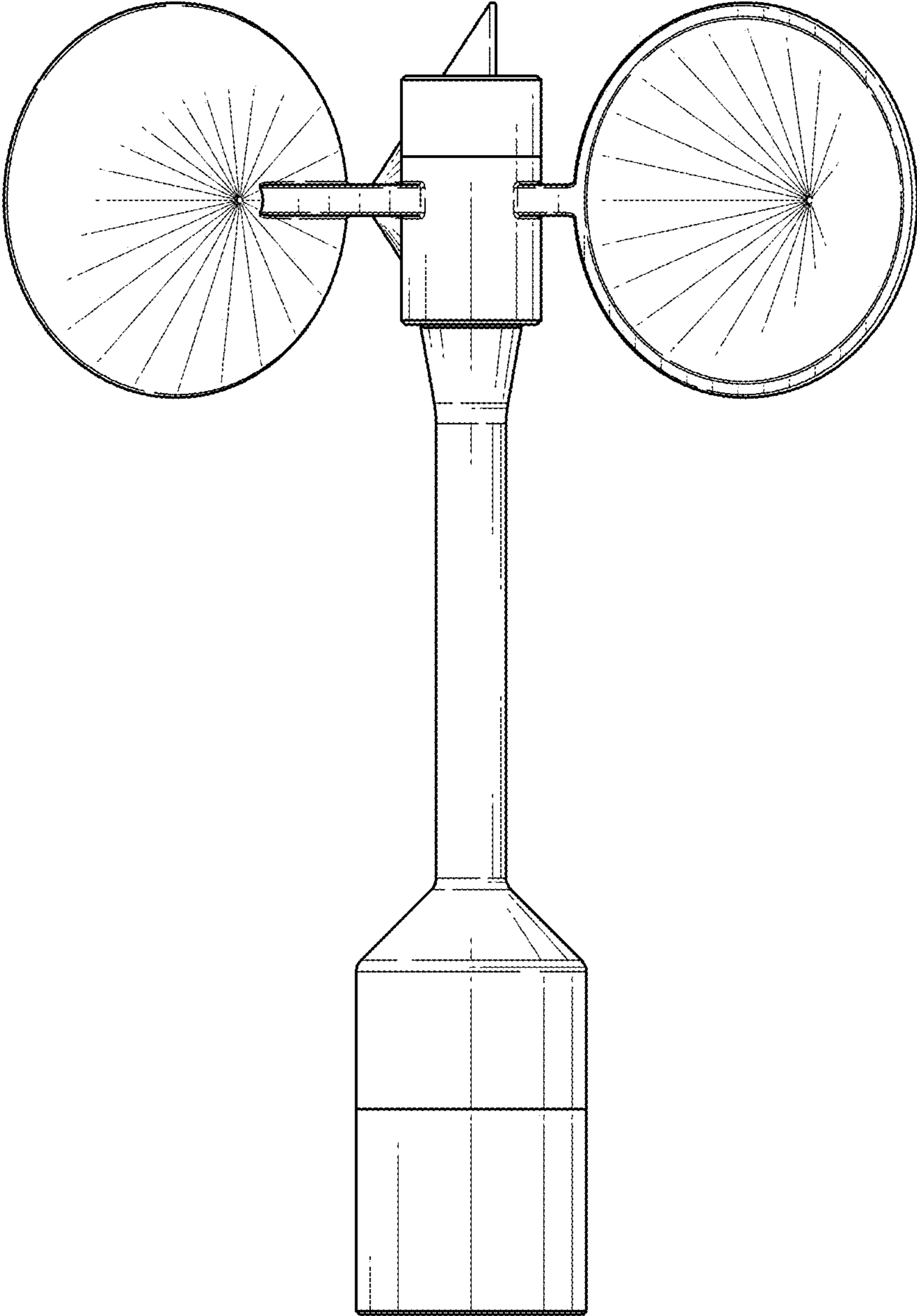


FIG. 3

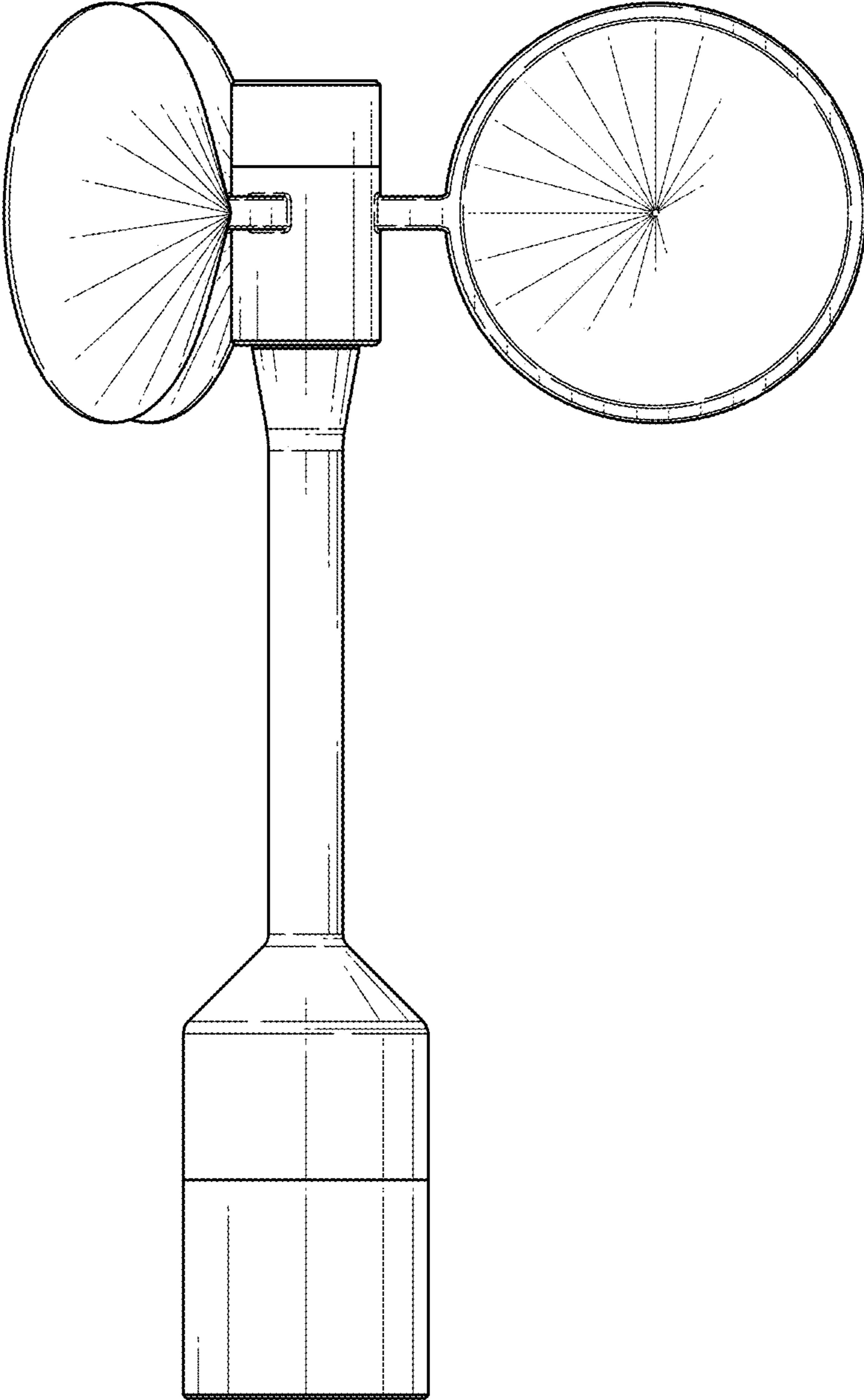


FIG. 4

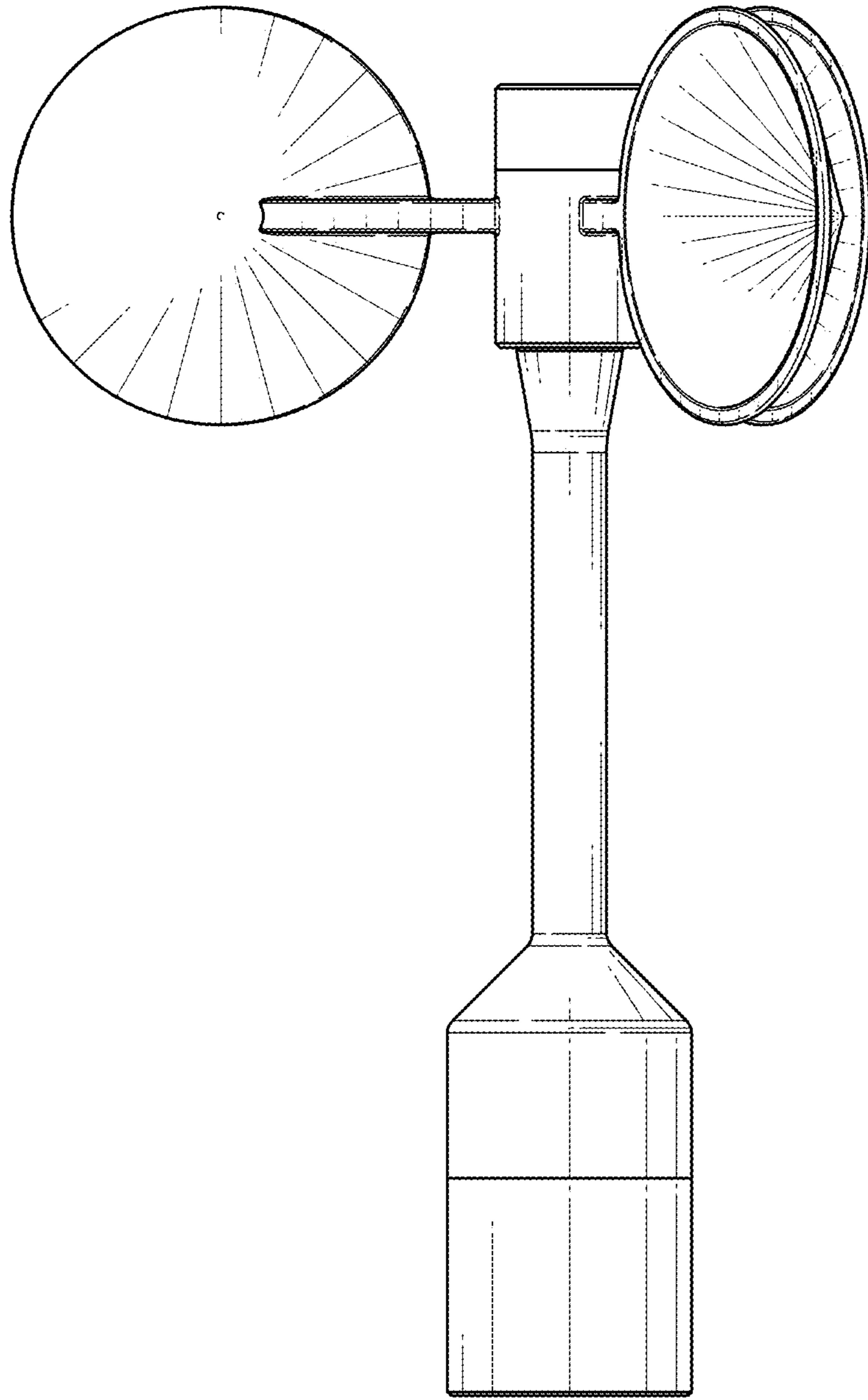


FIG. 5

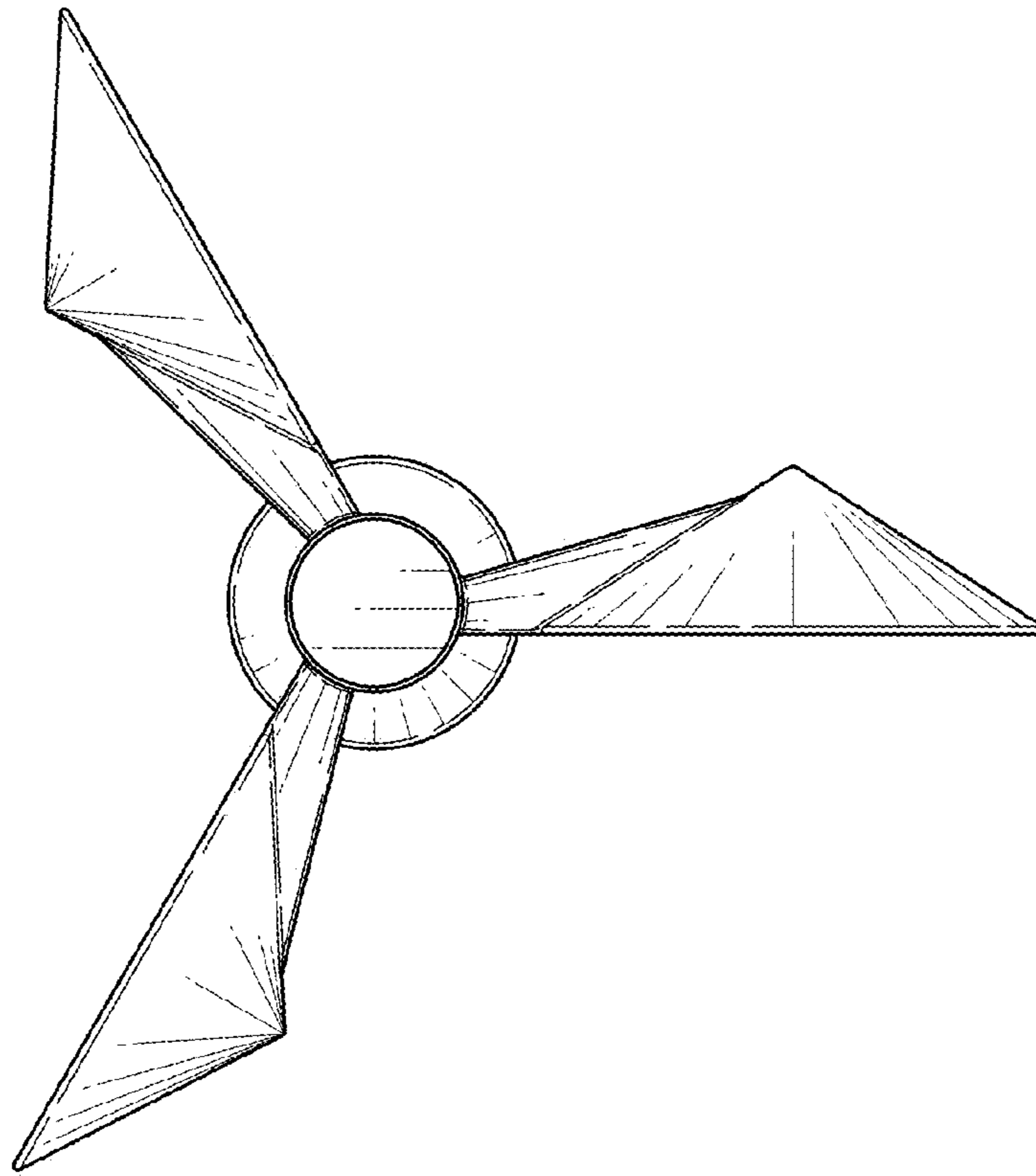


FIG. 6

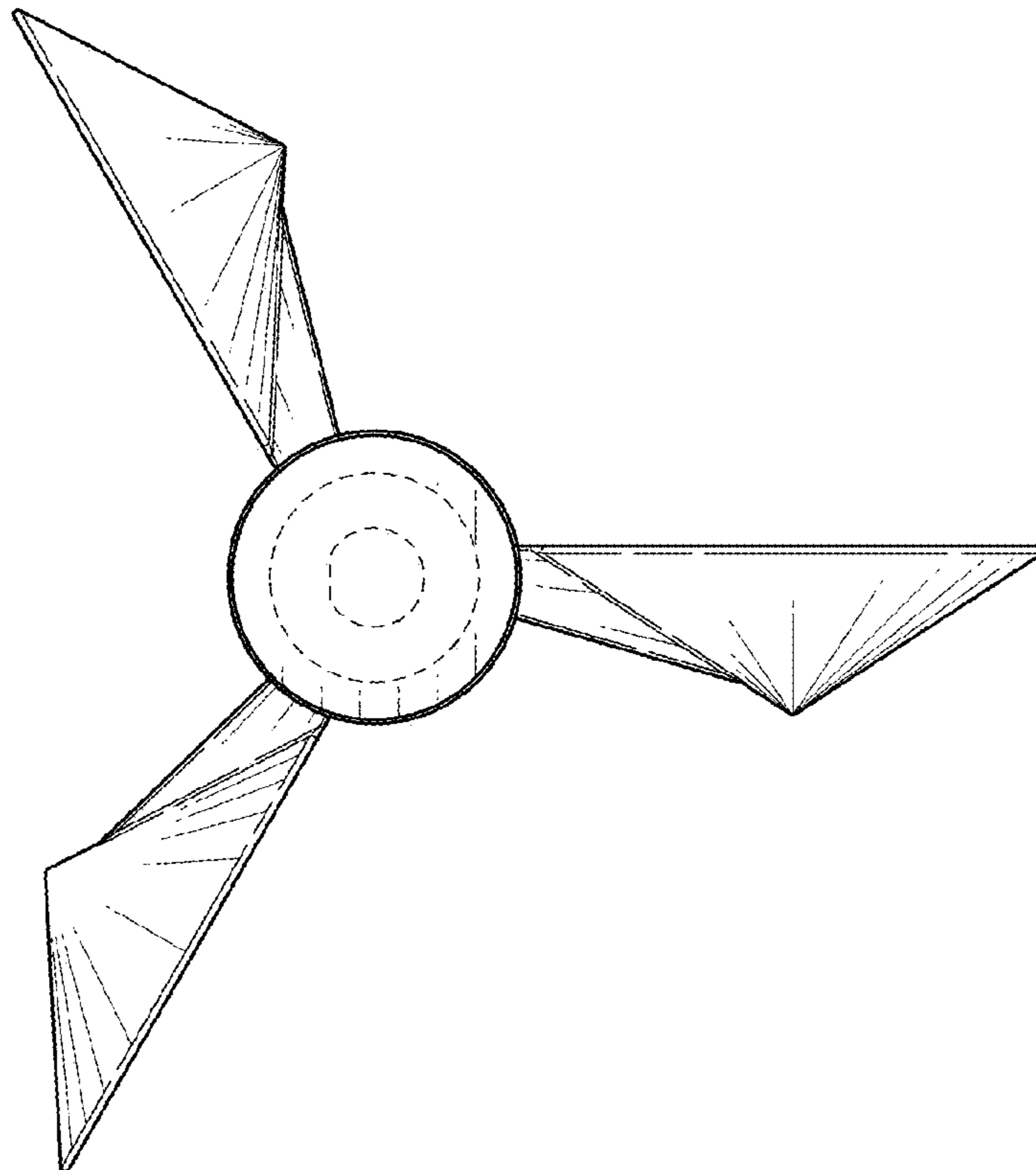


FIG. 7