



US00D920811S

(12) **United States Design Patent** (10) **Patent No.:** **US D920,811 S**  
**Belamich** (45) **Date of Patent:** **\*\* Jun. 1, 2021**

(54) **WATCH**  
(71) Applicant: **Bell & Ross B.V.**, Amsterdam (NL)  
(72) Inventor: **Bruno Belamich**, Paris (FR)  
(73) Assignee: **Bell & Ross B.V.**, MK Amsterdam (NL)

D610,924 S \* 3/2010 Duport ..... D10/39  
D614,050 S \* 4/2010 Diltoer ..... D10/38  
D614,513 S \* 4/2010 Takahashi ..... D10/32  
D658,080 S \* 4/2012 Syoubayashi ..... D10/38  
D759,508 S \* 6/2016 Belamich ..... D10/38  
D761,670 S \* 7/2016 Belamich ..... D10/39  
D773,942 S \* 12/2016 Kweton ..... D10/38  
D811,243 S \* 2/2018 White ..... D10/39  
D835,521 S \* 12/2018 Berthier ..... D10/32

(\*\*) Term: **15 Years**

**OTHER PUBLICATIONS**

(21) Appl. No.: **29/697,020**

Amazon, Seiko Men's Analog Watch, posted Jul. 10, 2017, [online], [visited Dec. 23, 2020]. Internet, <URL: <https://www.amazon.co.uk/Seiko-RECRAFT-Automatic-Stainless-Casual/dp/B072Q1F963/ref>> (Year: 2017).\*

(22) Filed: **Jul. 3, 2019**

Amazon, Bewell Retro Man's Watch, posted Feb. 14, 2017, [online], [visited Dec. 23, 2020]. Internet, <URL: <https://www.amazon.co.uk/Bewell-Natural-Watches-Wristwatches-W110A/dp/B06X3YKR6F/ref>> (Year: 2017).\*

(30) **Foreign Application Priority Data**

Jan. 9, 2019 (WO) ..... DM/200648

(51) **LOC (13) Cl.** ..... **10-02**

(52) **U.S. Cl.**  
USPC ..... **D10/32**

(58) **Field of Classification Search**  
USPC ..... D10/30, 31, 32, 33, 34, 35, 36, 37, 38,  
D10/39, 122, 123, 124, 125, 126, 128;  
D14/344

CPC .... G04B 37/00; G04B 37/0008; G04B 37/04;  
G04B 37/18; G04B 37/22; G04B 37/10;  
G04B 45/00; G04B 45/0076; G04B  
45/0038; G04B 45/0061; G04B 19/00;  
G04B 19/06

See application file for complete search history.

\* cited by examiner

*Primary Examiner* — Sheryl Lane  
*Assistant Examiner* — Samantha N Wood  
(74) *Attorney, Agent, or Firm* — Sughrue Mion, PLLC

(56) **References Cited**

**U.S. PATENT DOCUMENTS**

4,218,873 A \* 8/1980 Lang ..... G04B 37/05  
368/276  
D261,734 S \* 11/1981 Onodera ..... D10/39  
D354,919 S \* 1/1995 Wunderman ..... D10/32  
D549,113 S \* 8/2007 Duong ..... D10/32  
D588,025 S \* 3/2009 Belamich ..... D10/39  
D600,144 S \* 9/2009 Diltoer ..... D10/38

(57) **CLAIM**

The ornamental design for a watch, as shown and described.

**DESCRIPTION**

FIG. 1 is a front elevational view of a watch showing my new design;  
FIG. 2 is a perspective view of the front and right side thereof;  
FIG. 3 is a rear elevational view thereof;  
FIG. 4 is a left side elevational view thereof;  
FIG. 5 is a right side elevational view thereof;  
FIG. 6 is a top plan view thereof; and,  
FIG. 7 is a bottom plan view thereof.

**1 Claim, 7 Drawing Sheets**



FIG. 1

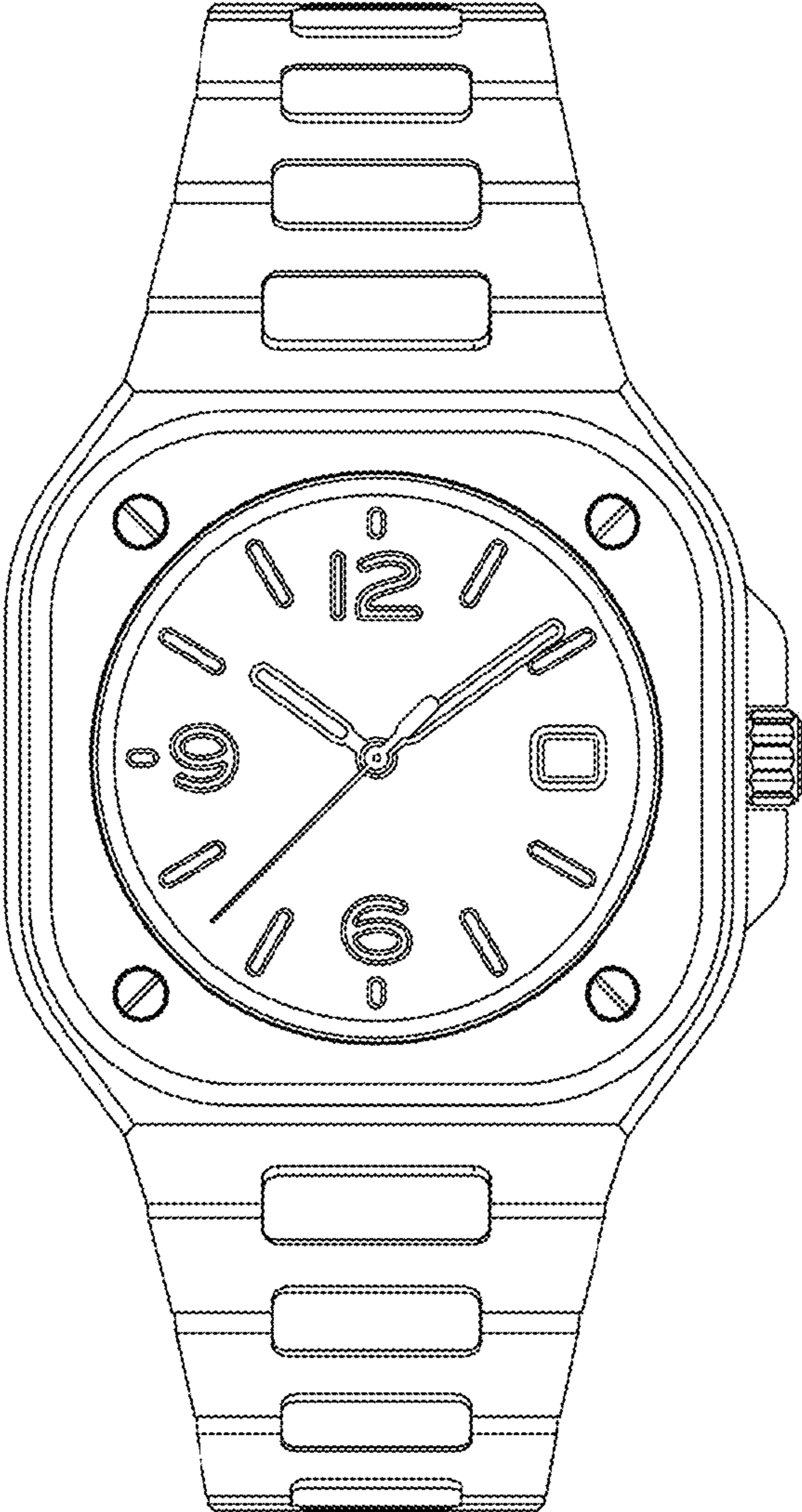


FIG. 2



FIG. 3

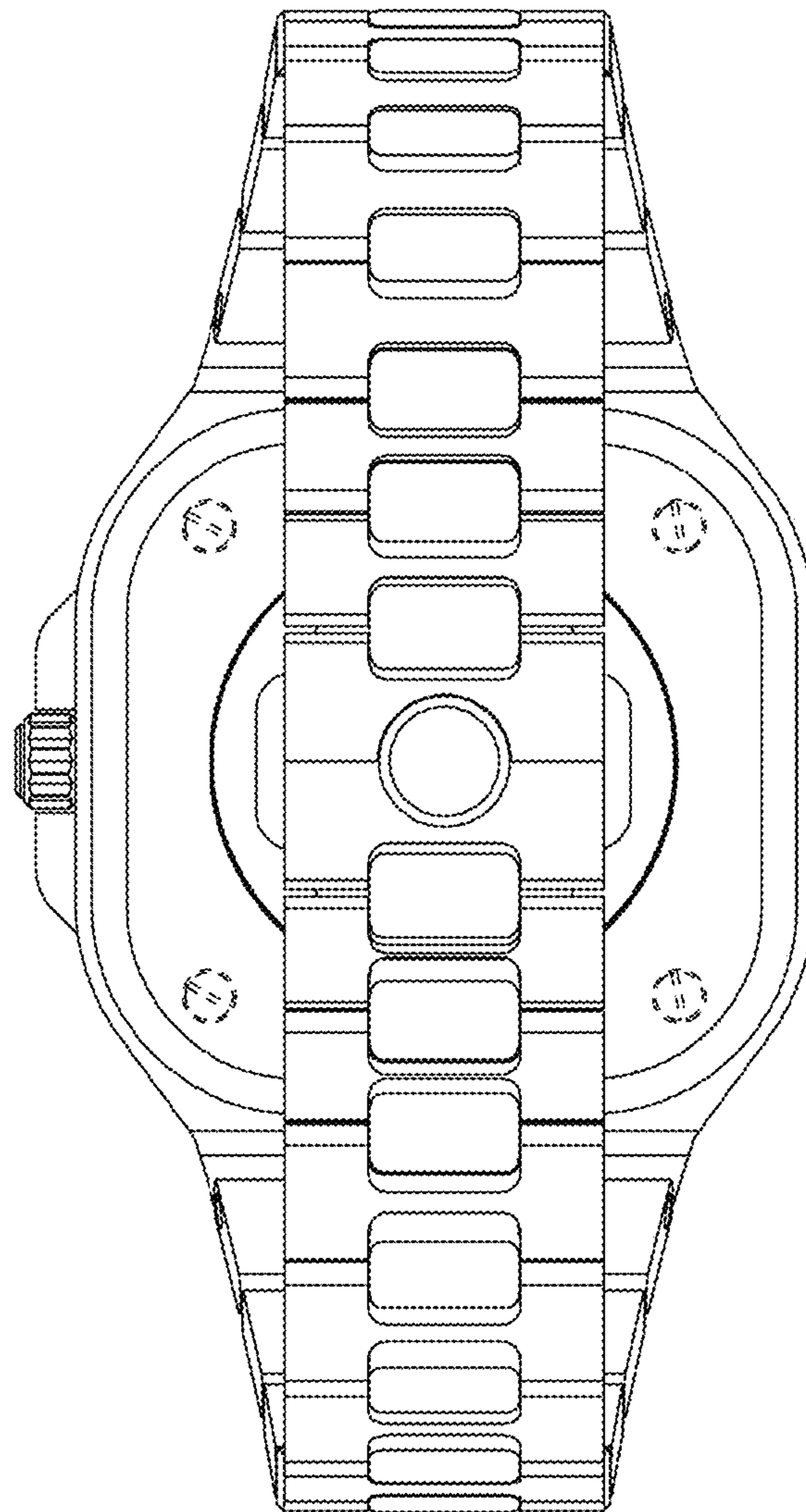


FIG. 4

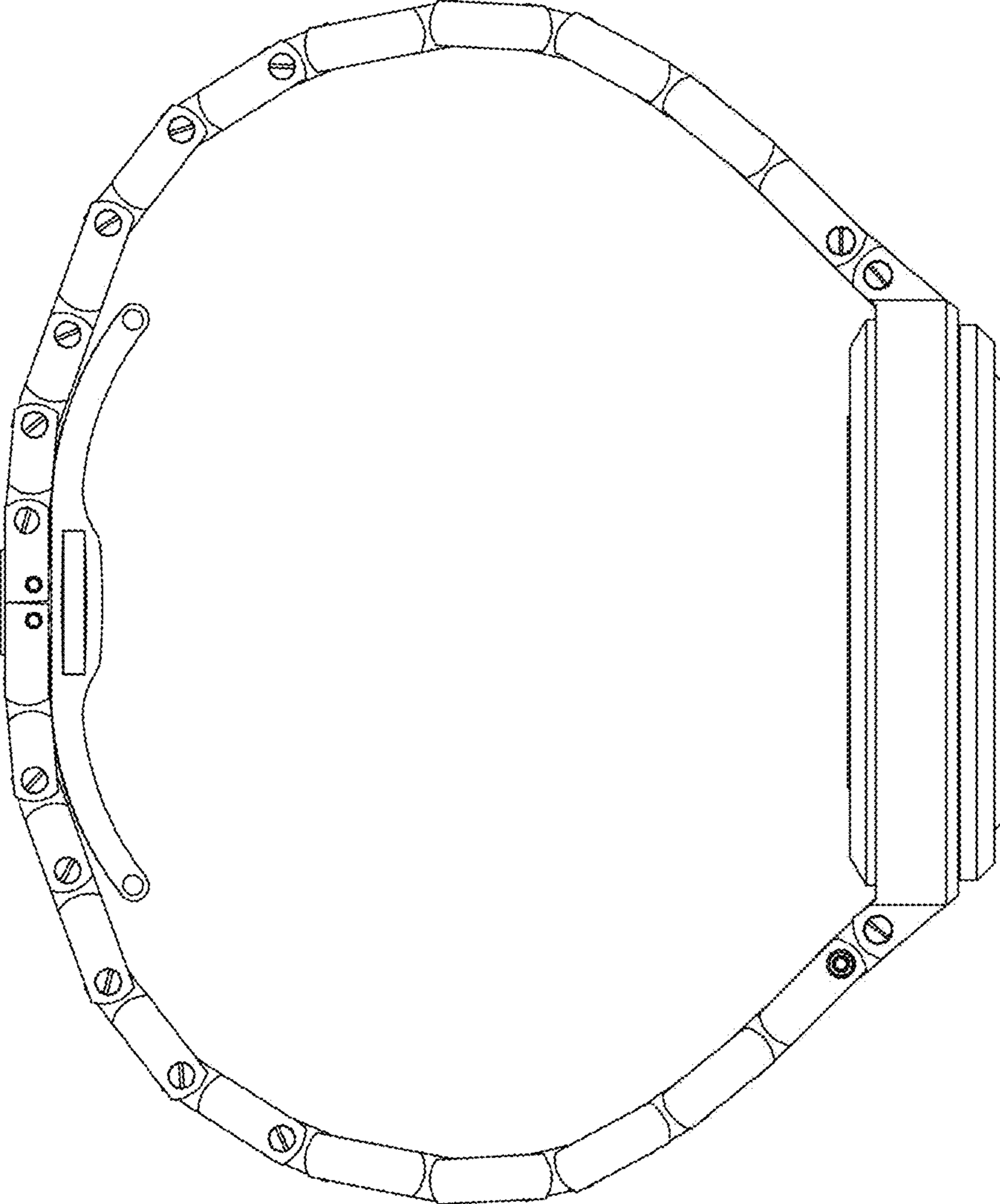


FIG. 5

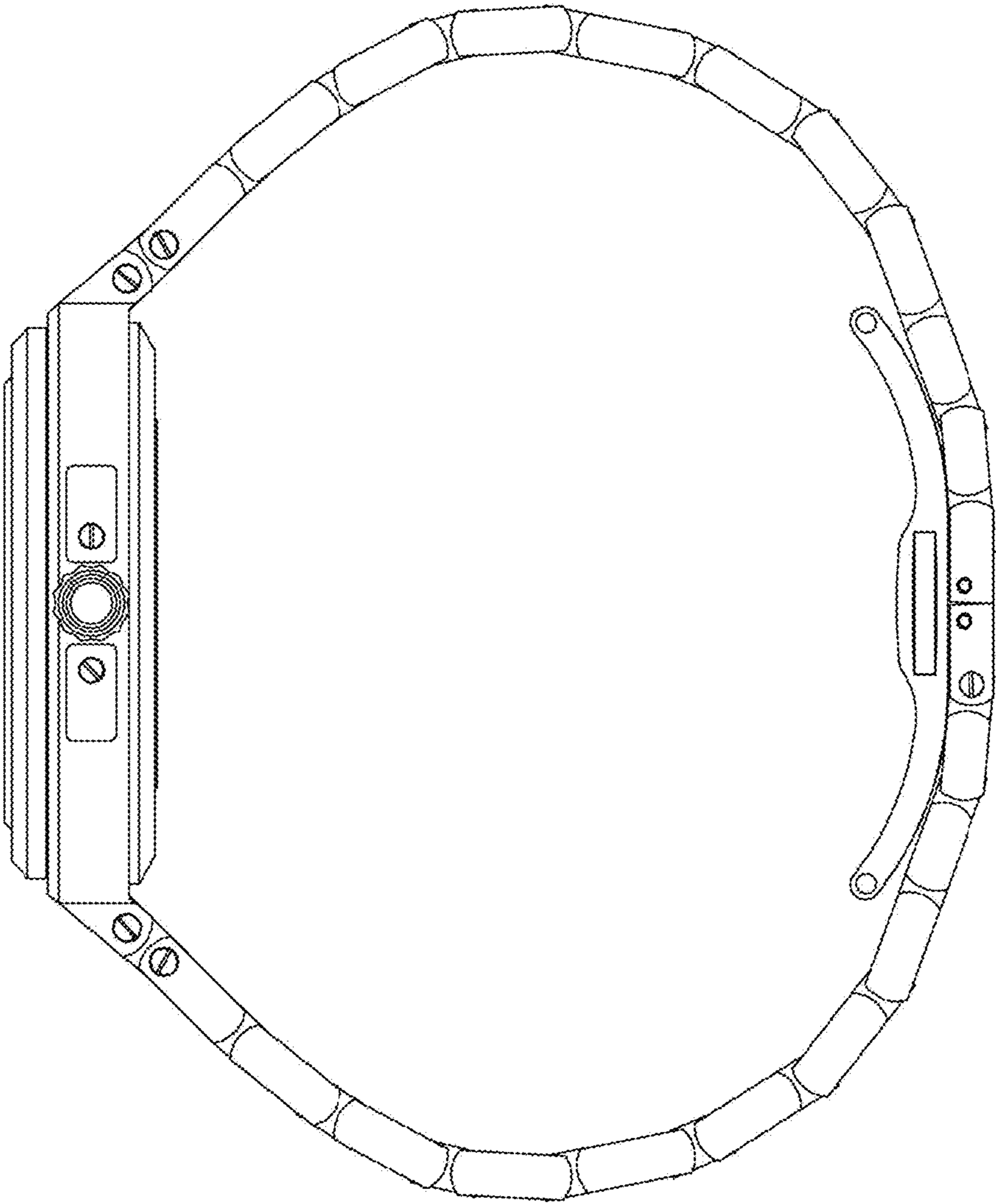


FIG. 6

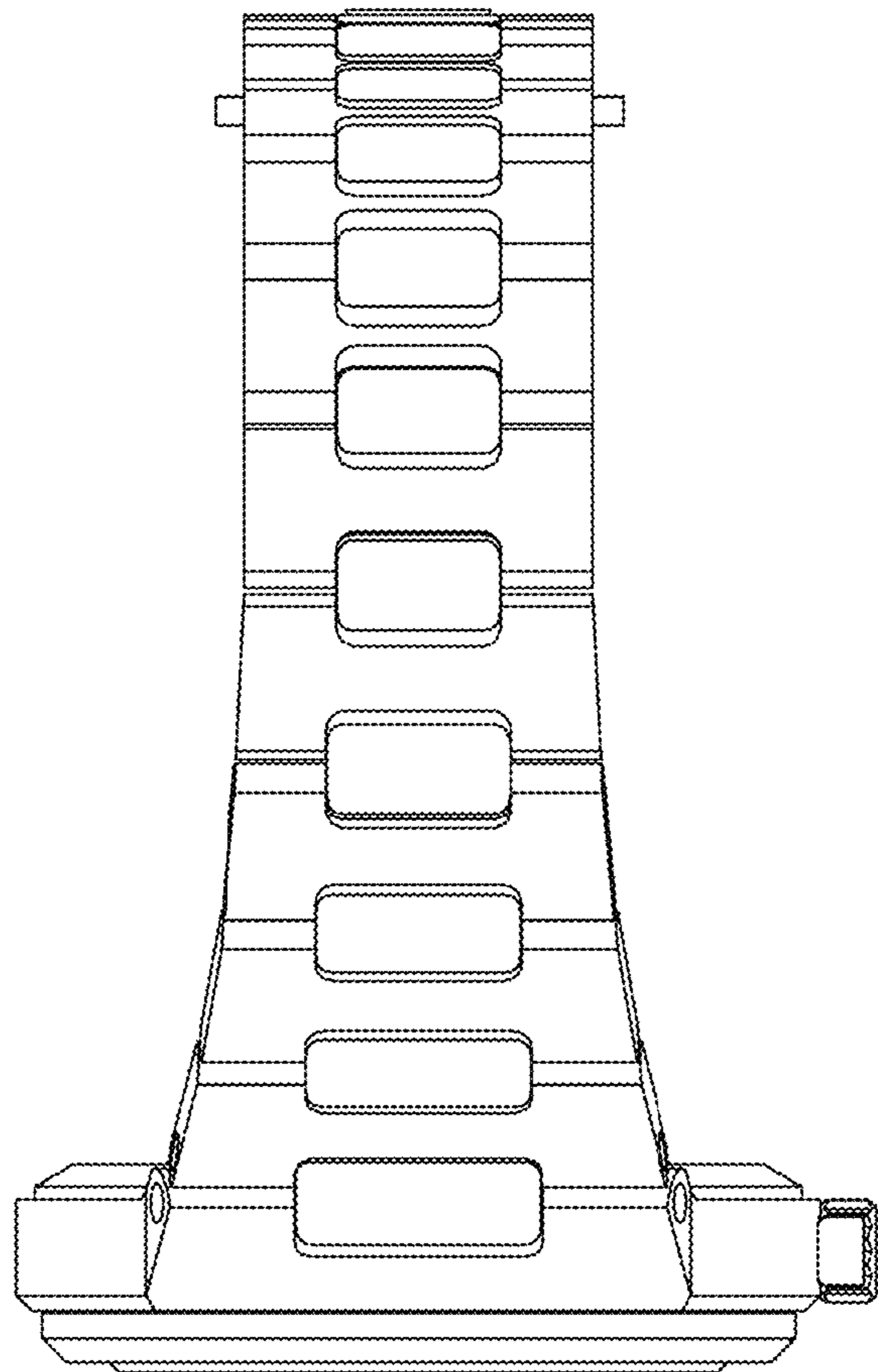


FIG. 7

