



US00D920809S

(12) **United States Design Patent**
Chesnet et al.

(10) **Patent No.:** **US D920,809 S**

(45) **Date of Patent:** **** Jun. 1, 2021**

(54) **PACKAGE**

B31B 2120/20; B31B 1/26; B31B 1/86;
B31B 1/62; B31B 1/06; A63F 3/00261;
Y10S 229/934; A45C 11/20

(71) Applicant: **WestRock Packaging Systems, LLC**,
Atlanta, GA (US)

See application file for complete search history.

(72) Inventors: **Lauren N. Chesnet**, Mount Airy, NC
(US); **Bradford J. Walling**,
Chesterfield, VA (US)

(56) **References Cited**

U.S. PATENT DOCUMENTS

(73) Assignee: **WESTROCK PACKAGING
SYSTEMS, LLC**, Atlanta, GA (US)

2,654,474 A 10/1953 Ringler
2,946,621 A * 7/1960 Williamson B65D 71/48
294/87.2

(**) Term: **15 Years**

(Continued)

(21) Appl. No.: **29/666,031**

FOREIGN PATENT DOCUMENTS

(22) Filed: **Oct. 9, 2018**

WO WO2008058294 A1 5/2008

(51) **LOC (13) Cl.** **09-03**

Primary Examiner — W. A. Teddy Falloway

(52) **U.S. Cl.**

(74) *Attorney, Agent, or Firm* — Brian J. Goldberg

USPC **D9/752**; D9/756

(58) **Field of Classification Search**

(57) **CLAIM**

What is claimed is the ornamental design for a package, as shown and described.

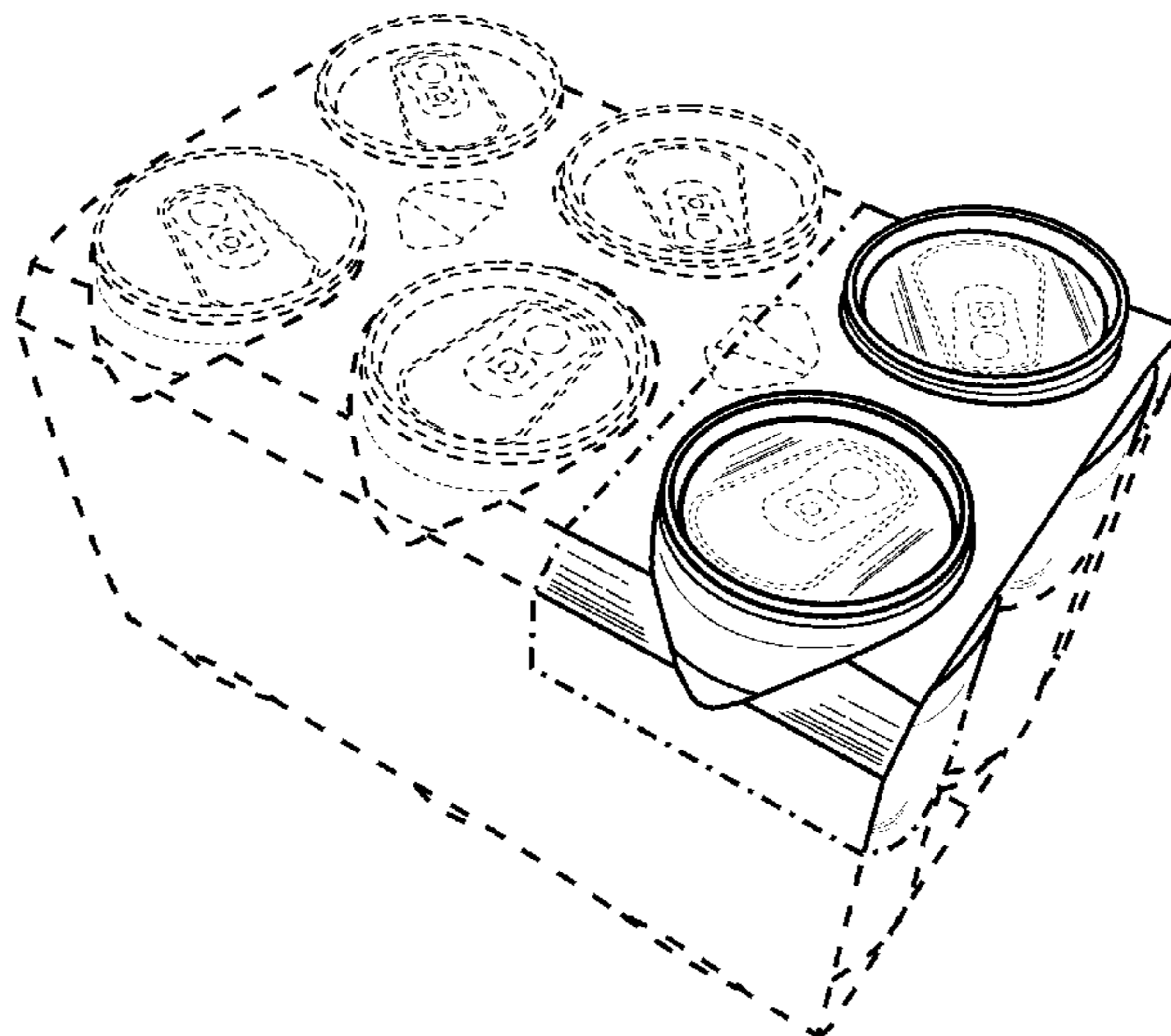
USPC D9/737, 751, 753, 755, 756, 517, 432,
D9/433; D7/600, 600.1, 601, 602, 701,
D7/619.1, 622; D3/307–315; 220/557,
220/62, 771; 229/117.13, 120.26, 120.14,
229/117.09, 199, 117.14, 117.12, 117.16,
229/103.3, 122.3, 166; 206/549, 162,
206/167, 169, 170, 174, 175, 427, 434,
206/430, 431; 493/88, 122, 128, 162
CPC .. B65D 2571/0066; B65D 2571/00487; B65D
71/0022; B65D 2571/00388; B65D
2571/00524; B65D 2571/0037; B65D
2571/00382; B65D 71/004; B65D 5/20;
B65D 5/4266; B65D 5/443; B65D
5/4608; B65D 5/48002; B65D
2571/00351; B65D 5/462; B65D 5/481;
B65D 5/484; B65D 5/4208; B65D
5/0227; B65D 5/2014; B65D 5/42; B65D
5/02; B65D 25/04; B65D 5/54; B65D
75/00; B65D 71/58; B65D 71/54; B65D
71/40; B65D 77/22; B31B 2100/00;
B31B 2120/00; B31B 50/26; B31B
2241/001; B31B 50/00; B31B 50/86;

DESCRIPTION

FIG. 1 is a perspective view of a package, including a carton and articles held therein, according to the disclosure; FIG. 2 is a top plan view of the package of FIG. 1; FIG. 3 is a front elevation view of the package of FIG. 1; FIG. 4 is a first side elevation view of the package of FIG. 1; and, FIG. 5 is a second side elevation view of the package of FIG. 1.

The dash-dash broken lines illustrate portions of the package. The dash-dot broken lines represent the bounds of the claim. The dash-dash broken lines shown in the figures that are immediately adjacent to the shaded areas and define regions that are consistently unshaded, represent the bounds of the claim. The broken lines form no part of the claimed design.

1 Claim, 5 Drawing Sheets



US D920,809 S

Page 2

(56)

References Cited

U.S. PATENT DOCUMENTS

3,163,321	A *	12/1964	Weiss	B65D 71/26	206/196
3,194,478	A *	7/1965	Weiss	B65D 71/16	206/196
3,248,036	A *	4/1966	Weiss	B65D 71/38	206/196
3,519,127	A *	7/1970	Wood	B65D 71/26	206/196
3,688,969	A *	9/1972	Gabarez	B65D 71/40	229/161
D265,057	S *	6/1982	Wood	206/153	
4,533,047	A	8/1985	Calvert			
5,167,325	A *	12/1992	Sykora	B65D 71/0055	206/140
5,415,278	A *	5/1995	Sutherland	B65D 71/46	206/148
5,503,267	A *	4/1996	Sutherland	B65D 71/48	206/148
5,520,283	A	5/1996	Sutherland			
6,015,043	A *	1/2000	Sandberg	B65D 5/5009	206/446
D496,270	S	9/2004	Baxter			
D516,439	S	3/2006	Cargile, Jr.			
8,096,413	B2 *	1/2012	Coltri De Paula	B65D 71/42	206/153
9,174,784	B2 *	11/2015	Bakx	B65D 71/14	
9,422,093	B2 *	8/2016	Merzeau	B65D 71/20	
9,821,939	B2 *	11/2017	Blin	B65D 71/48	
10,343,829	B2 *	7/2019	Zacherle	B65D 71/18	
2006/0207905	A1	9/2006	Whiteside			
2007/0029212	A1 *	2/2007	Smalley	B65D 71/18	206/175
2015/0291329	A1 *	10/2015	Kastanek	B65D 71/42	206/427
2020/0010255	A1 *	1/2020	Zacherle	B65D 71/42	
2020/0079564	A1 *	3/2020	Ford	B65B 17/025	
2020/0189819	A1 *	6/2020	McCree	B31B 50/52	
2020/0223612	A1 *	7/2020	Swenson	B65D 75/02	

* cited by examiner

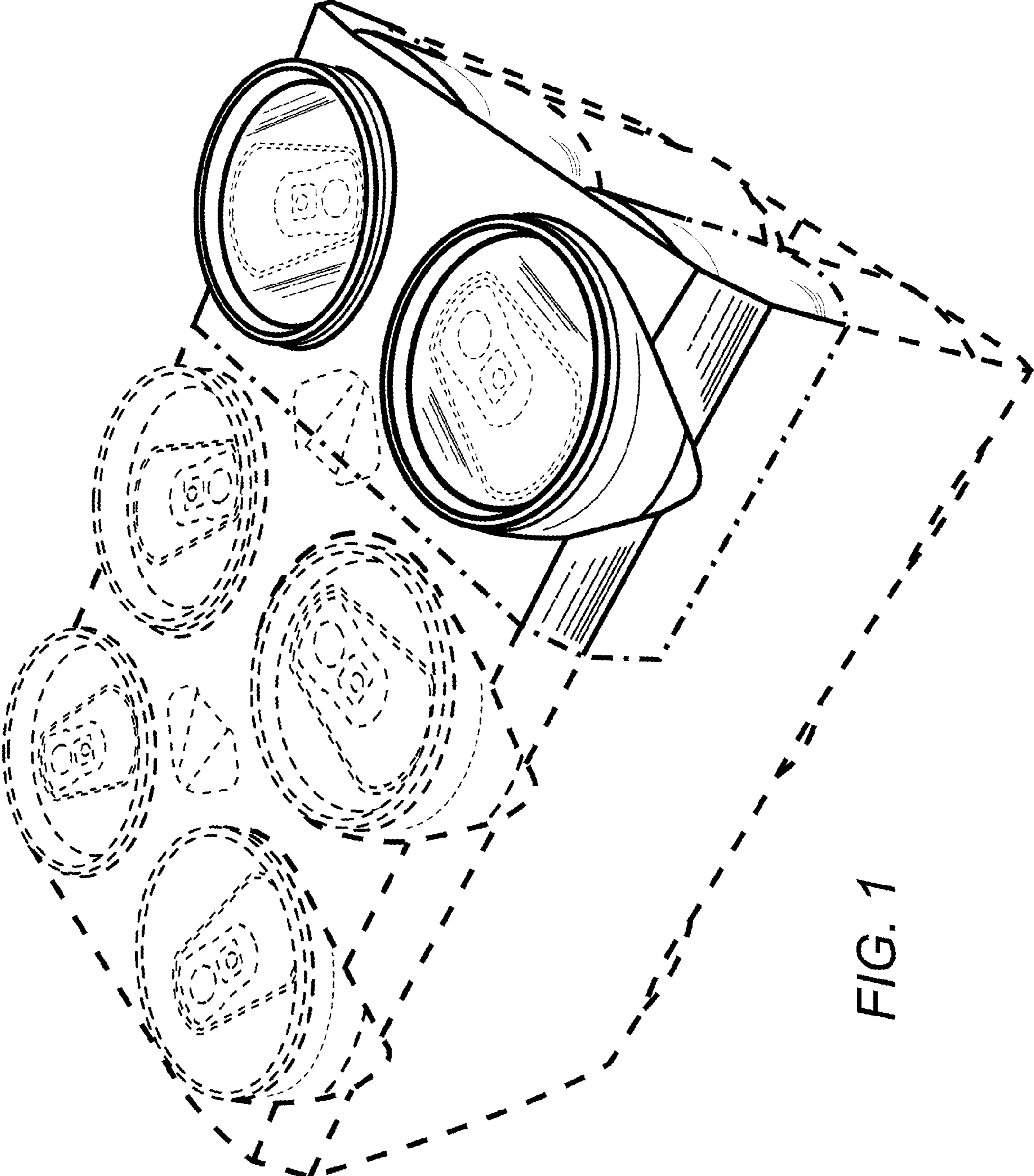


FIG. 1

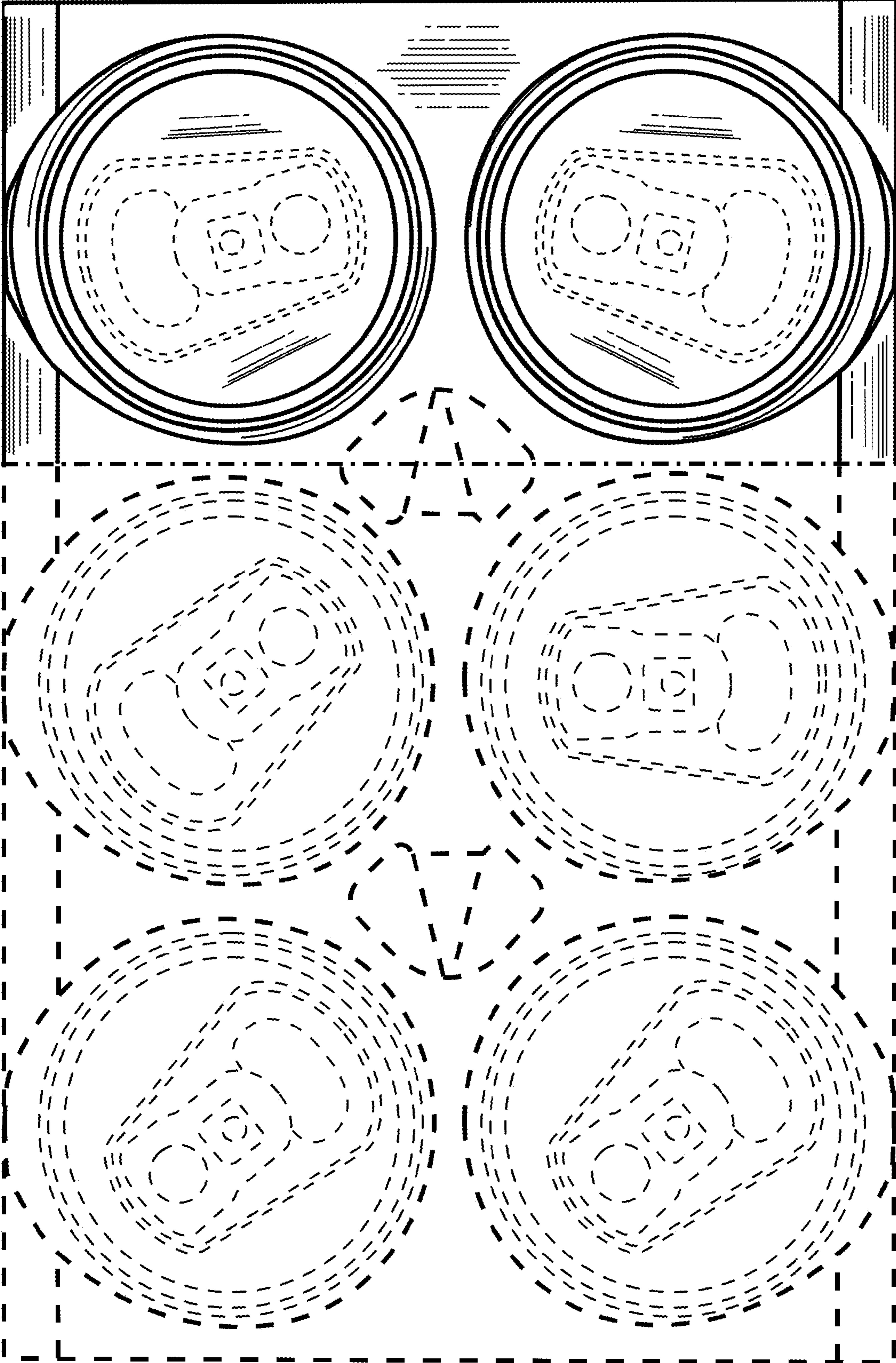


FIG. 2

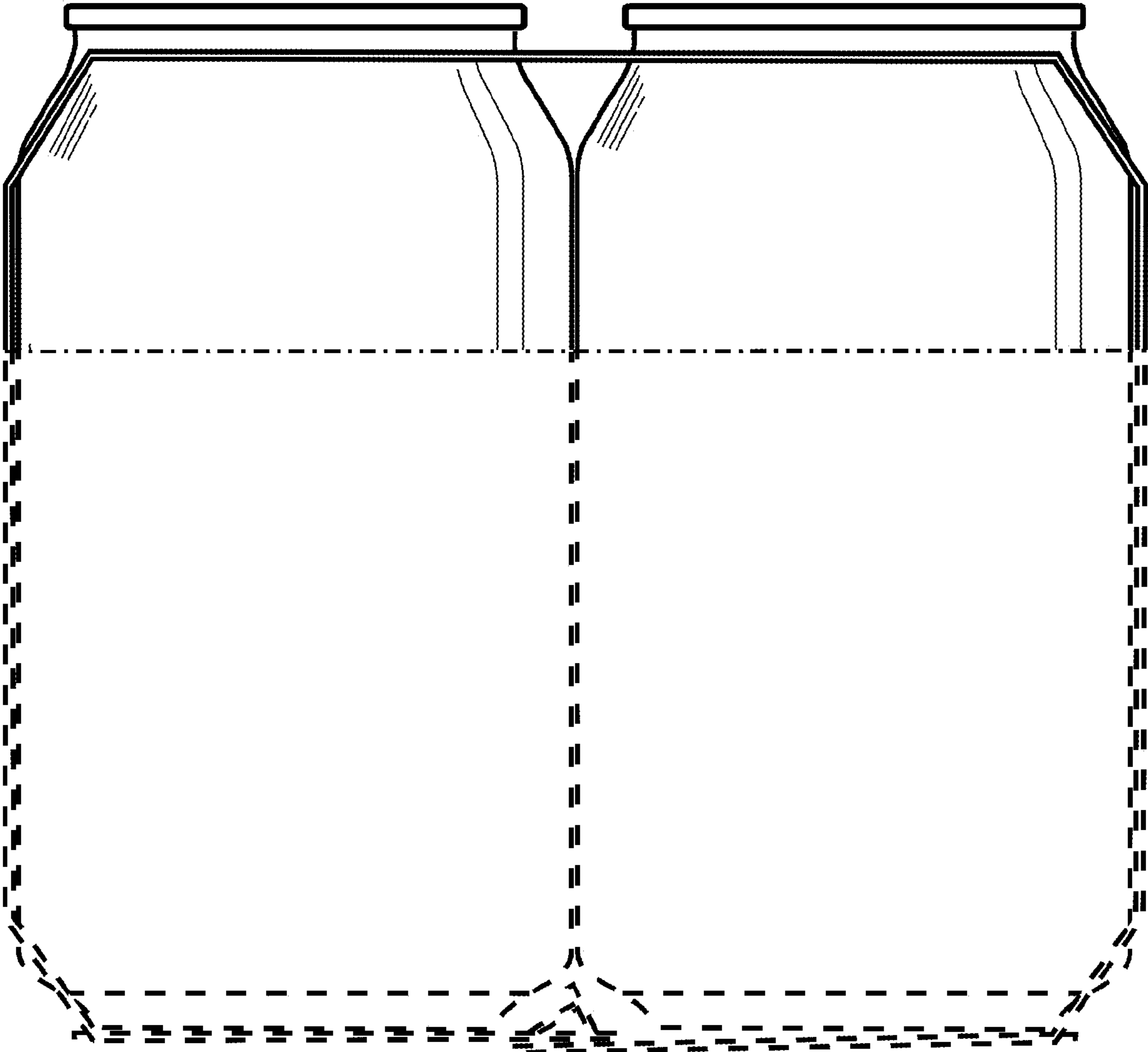


FIG. 3

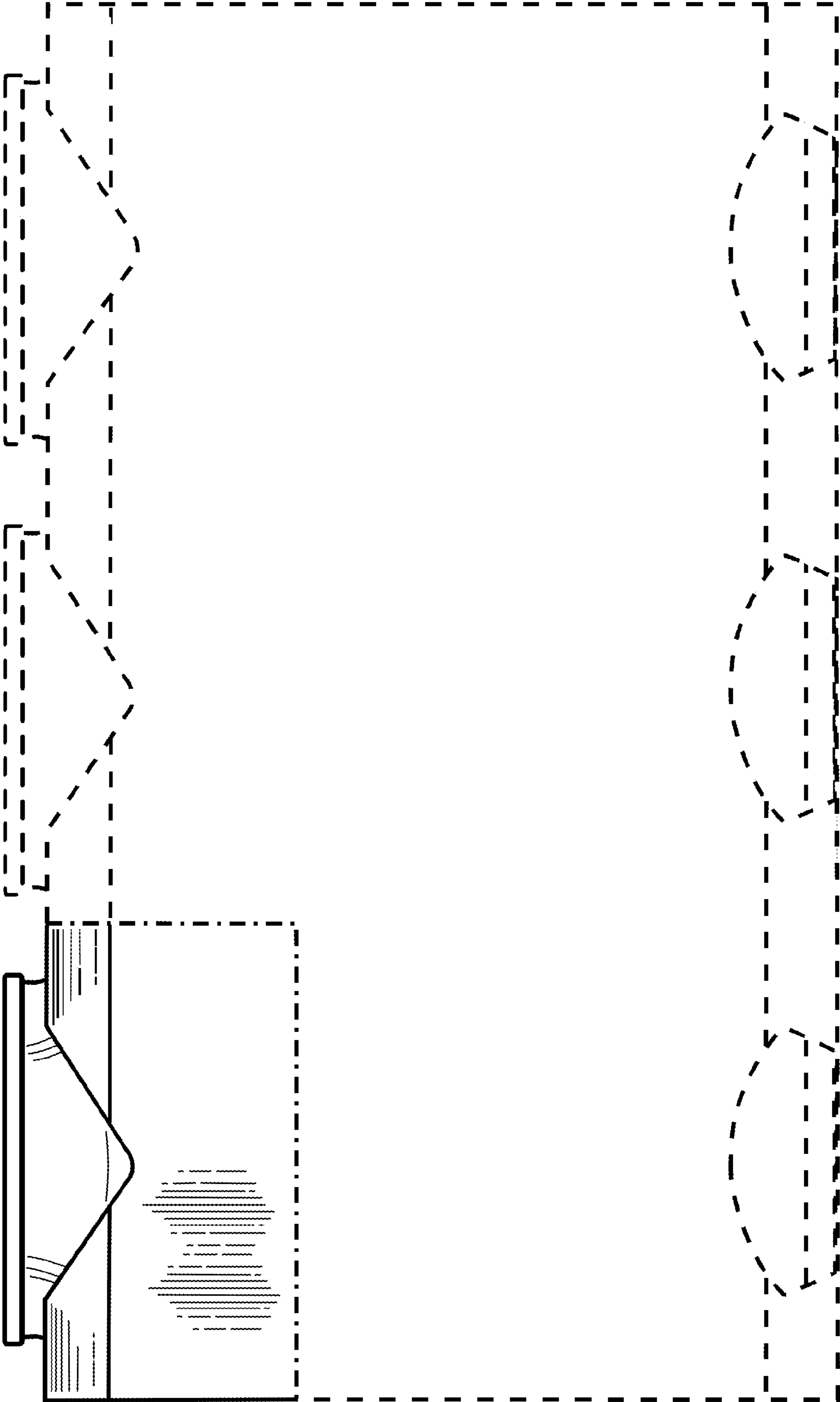


FIG. 4

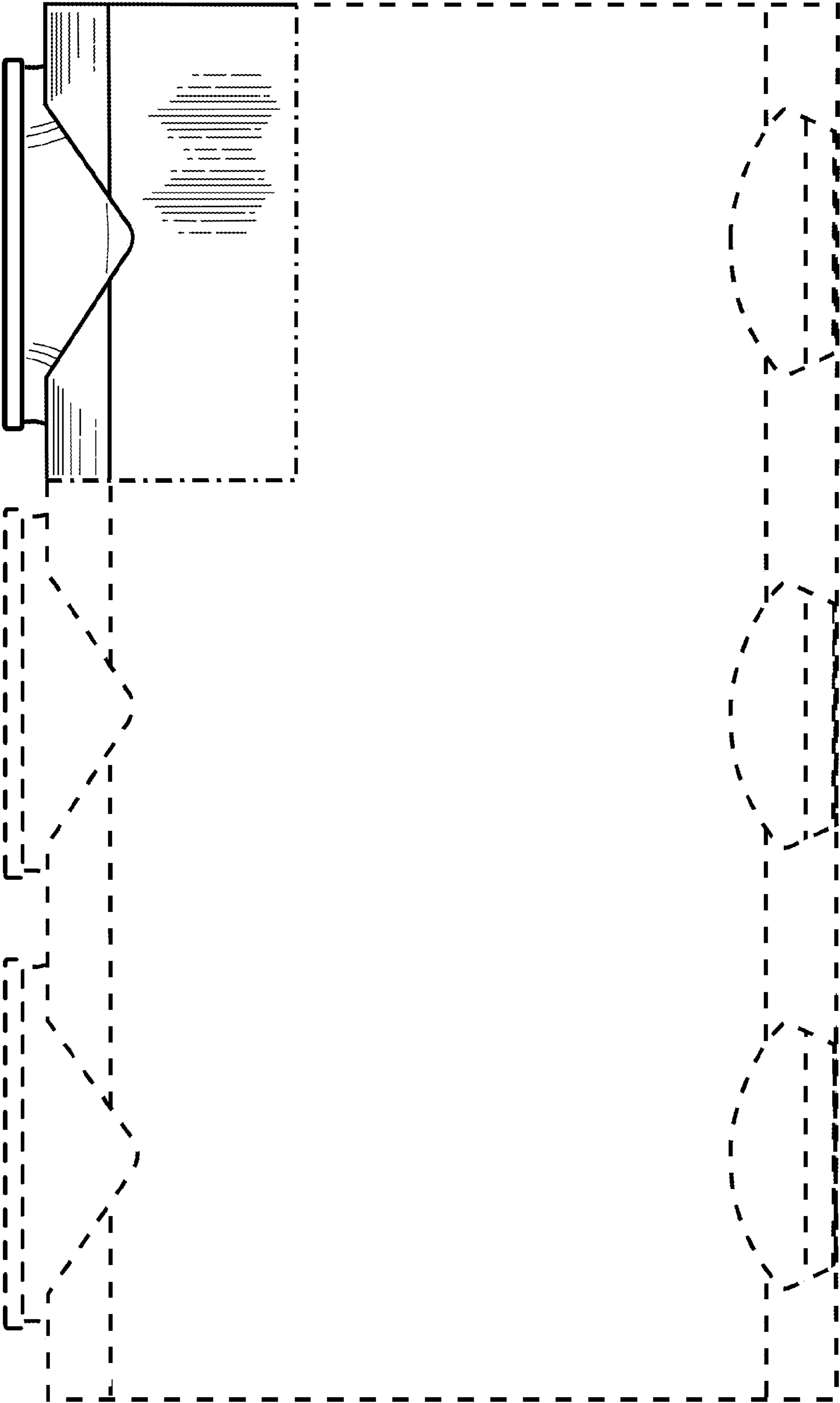


FIG. 5